

US00D973120S

(12) **United States Design Patent**
Katori et al.

(10) **Patent No.:** **US D973,120 S**
(45) **Date of Patent:** **** Dec. 20, 2022**

- (54) **SURVEILLANCE CAMERA**
 - (71) Applicant: **PANASONIC I-PRO SENSING SOLUTIONS CO., LTD.**, Fukuoka (JP)
 - (72) Inventors: **Takehito Katori**, Kanagawa (JP); **Akito Omata**, Fukuoka (JP); **Hirokazu Tasaka**, Fukuoka (JP); **Yusuke Mamiya**, Fukuoka (JP)
 - (73) Assignee: **I-PRO CO., LTD.**, Tokyo (JP)
 - (**) Term: **15 Years**
 - (21) Appl. No.: **29/725,977**
 - (22) Filed: **Feb. 28, 2020**
 - (51) **LOC (13) Cl.** **16-01**
 - (52) **U.S. Cl.**
USPC **D16/203**
 - (58) **Field of Classification Search**
USPC D16/200–203, 208, 217; D10/28, 46, D10/104.1, 106.1, 106.2, 109.2; D14/203.1, 204, 474, 496, 510
CPC G03B 17/00; G03B 17/02; G03B 2217/00; H04N 5/2251; H04N 5/2252; H04N 5/225
- See application file for complete search history.

- (56) **References Cited**
U.S. PATENT DOCUMENTS
D747,382 S * 1/2016 Smith D16/203
D747,754 S * 1/2016 Smith D16/203
2016/0295095 A1 * 10/2016 Jannard H04N 5/2257
2021/0272432 A1 * 9/2021 Omata G03B 17/08

OTHER PUBLICATIONS
“Revotech Mini Fisheye Security IP Camera, HD 3MP Indoor Camera 1.7mm Lens 170 Degree Wide Angle P2P Remote View

CCTV Video Cam H.265 (I706-3 Black)” from Amazon.com, first available May 14, 2021 from the internet <<https://www.amazon.com/Revotech-Fisheye-Security-Camera-Indoor/dp/B094Y174WM?th=1>> (Year: 2021).*
“Revodata 5MP POE IP Camera, IP65 Waterproof Camera, 10M IR Night Vision, 3.6mm Lens Ultra HD Mini Indoor Security Camera, Motion Detection POE Camera (I704-P-HS)” from Amazon.com, first available May 18, 2022 from the internet <<https://www.amazon.com/dp/B0B1LQ5THS/>> (Year: 2022).*

* cited by examiner
Primary Examiner — Elizabeth J Oswecki
Assistant Examiner — Lacey Chey Bowman
(74) *Attorney, Agent, or Firm* — Greenblum & Bernstein, P.L.C.

(57) **CLAIM**
The ornamental design for a surveillance camera, as shown and described.

DESCRIPTION
FIG. 1 is a perspective view of the front, right, and top sides of a surveillance camera showing our new design;
FIG. 2 is a perspective view of the front, left, and bottom sides thereof;
FIG. 3 is a front view thereof;
FIG. 4 is a rear view thereof;
FIG. 5 is a left side view thereof;
FIG. 6 is a right side view thereof;
FIG. 7 is a top plan view thereof; and,
FIG. 8 is a bottom plan view thereof.
The broken lines shown in the drawings illustrate portions of the surveillance camera that form no part of the claimed design.

1 Claim, 8 Drawing Sheets

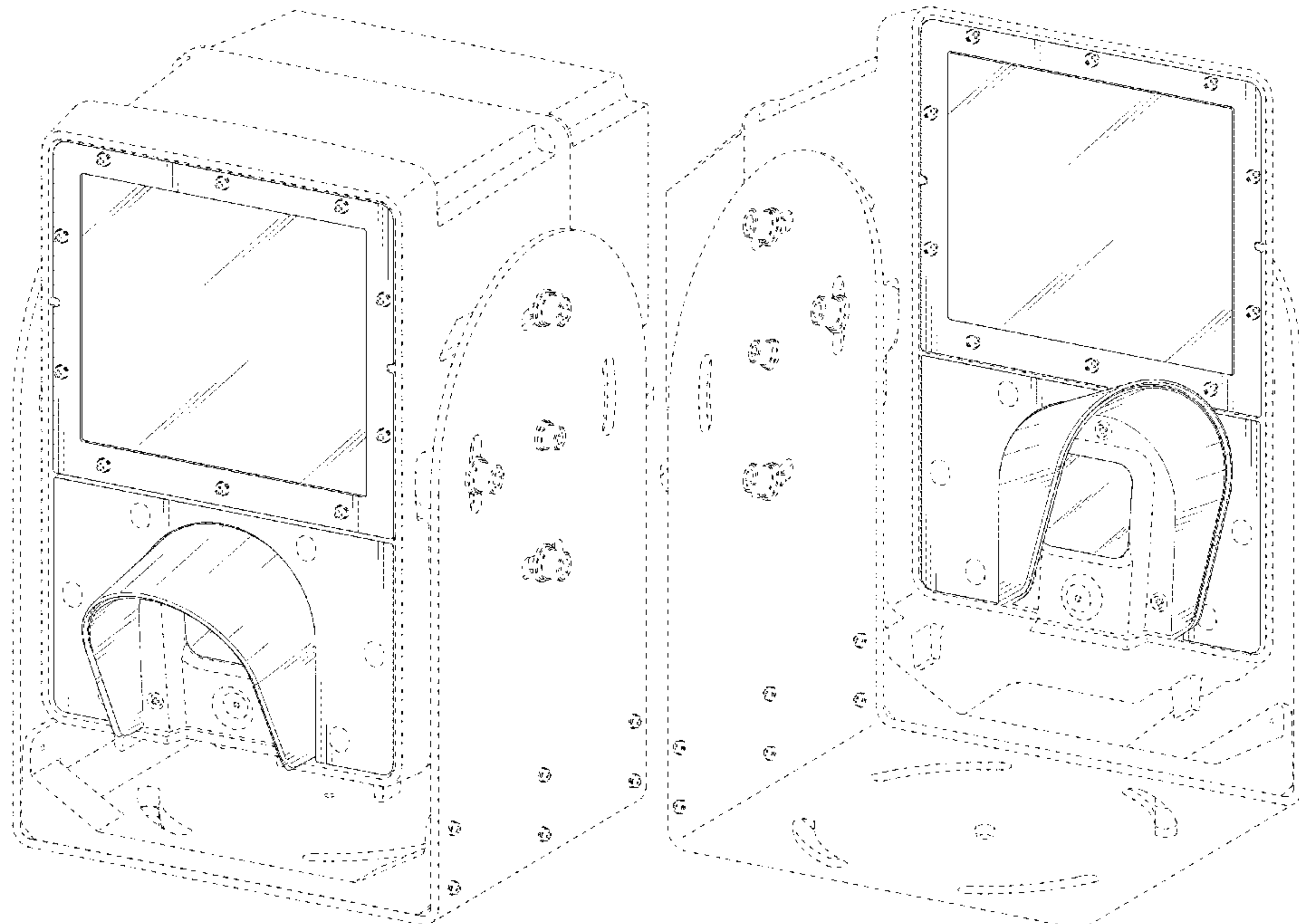


Fig.1

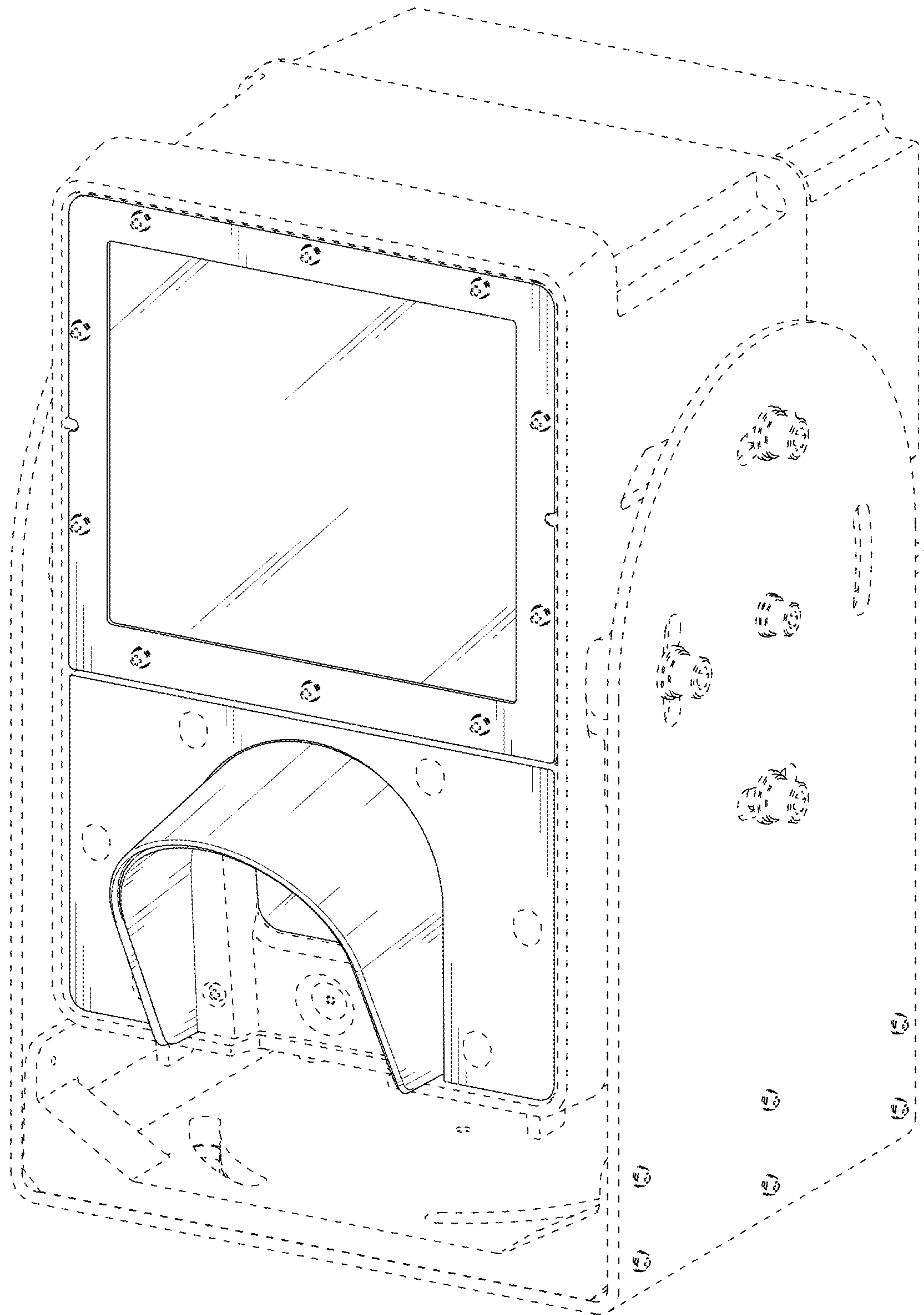


Fig.2

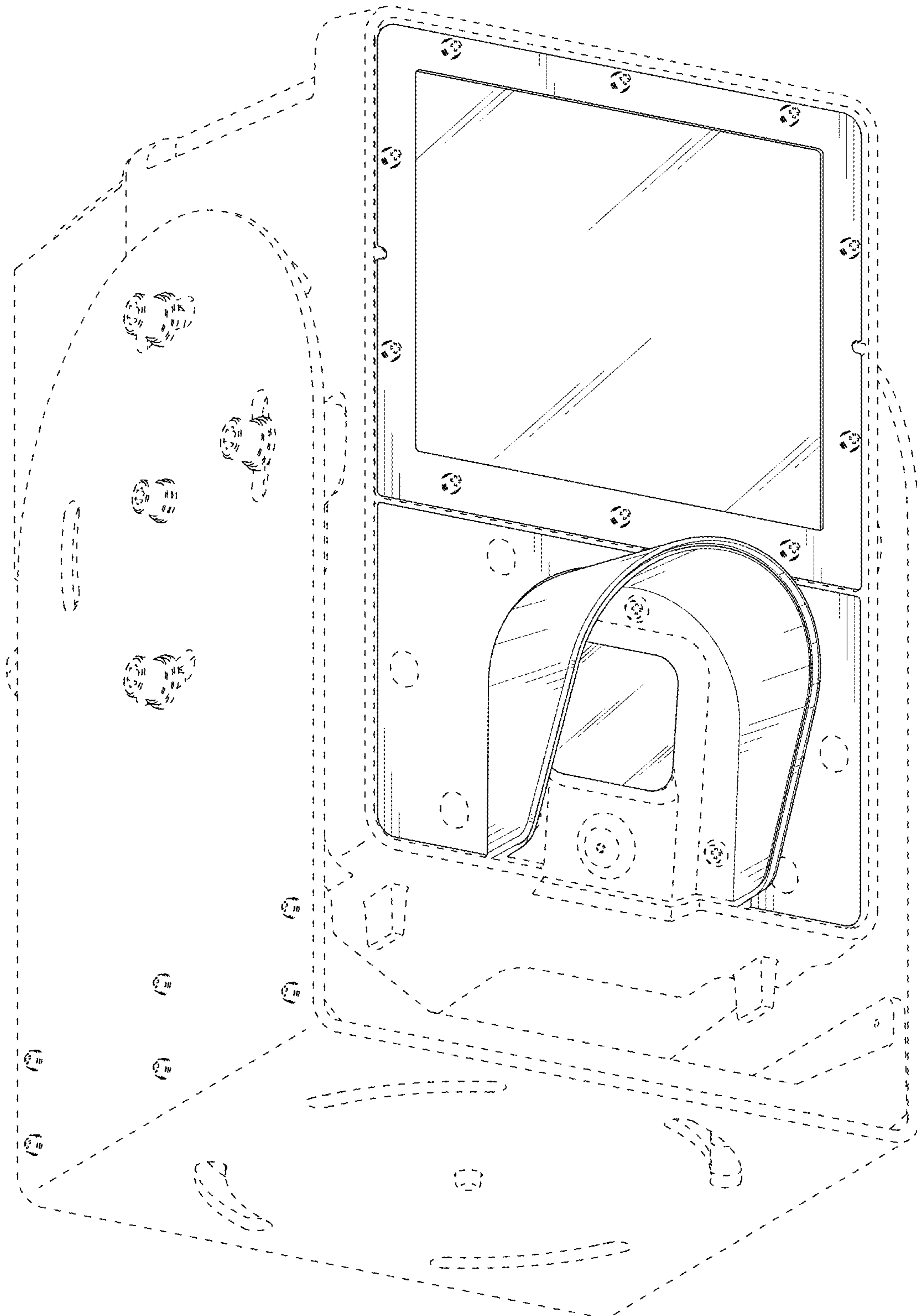


Fig.3

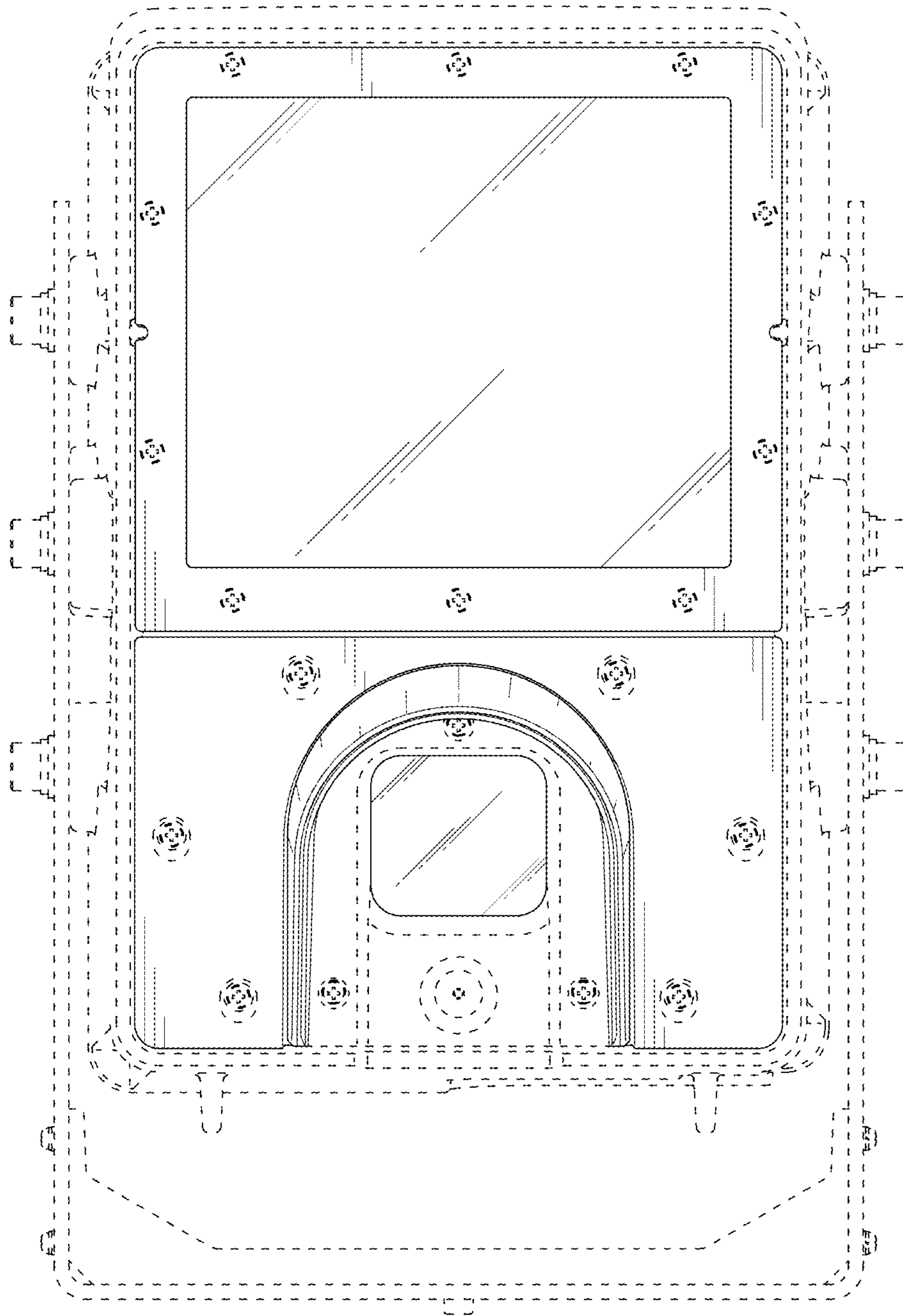


Fig.4

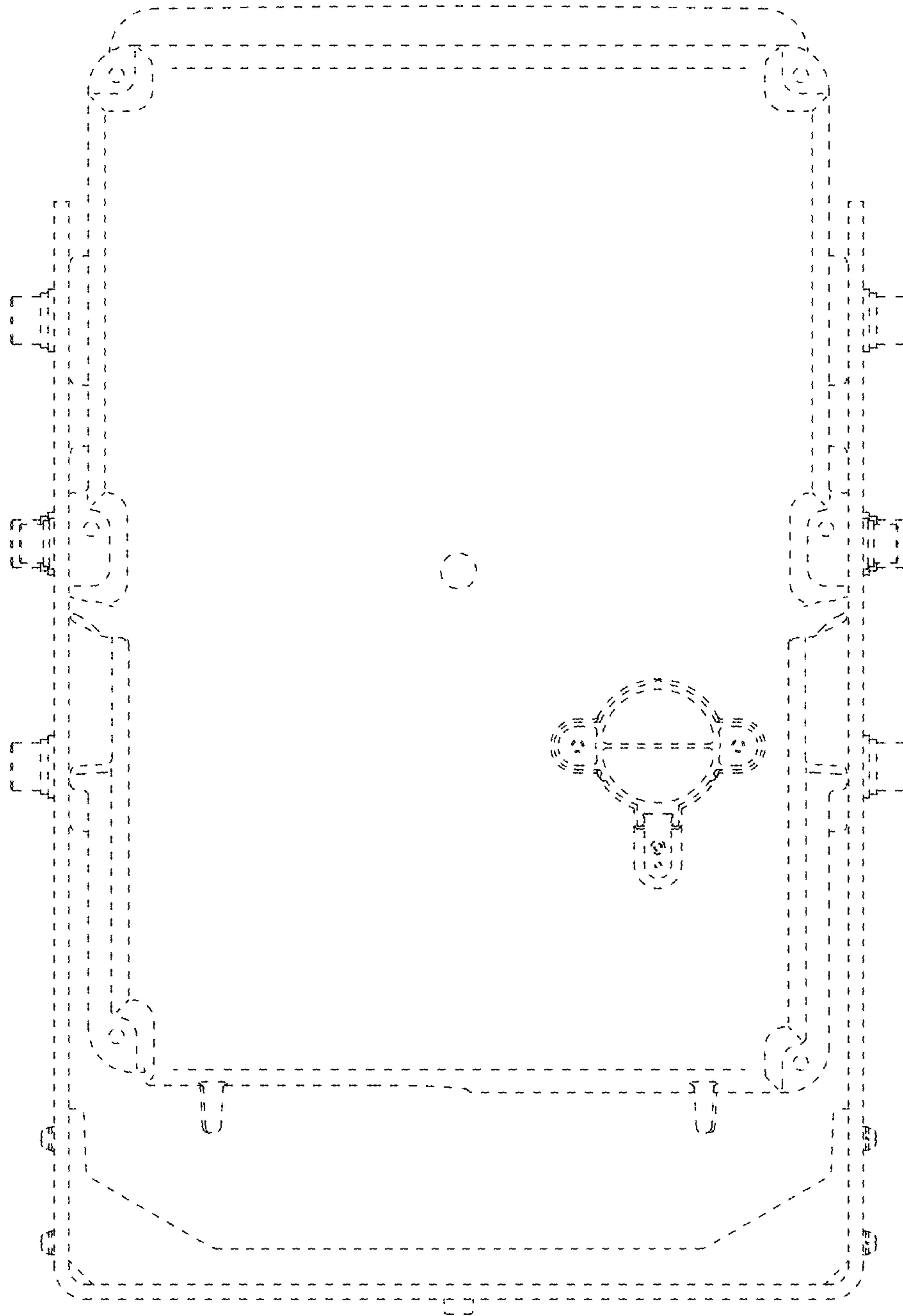


Fig.5

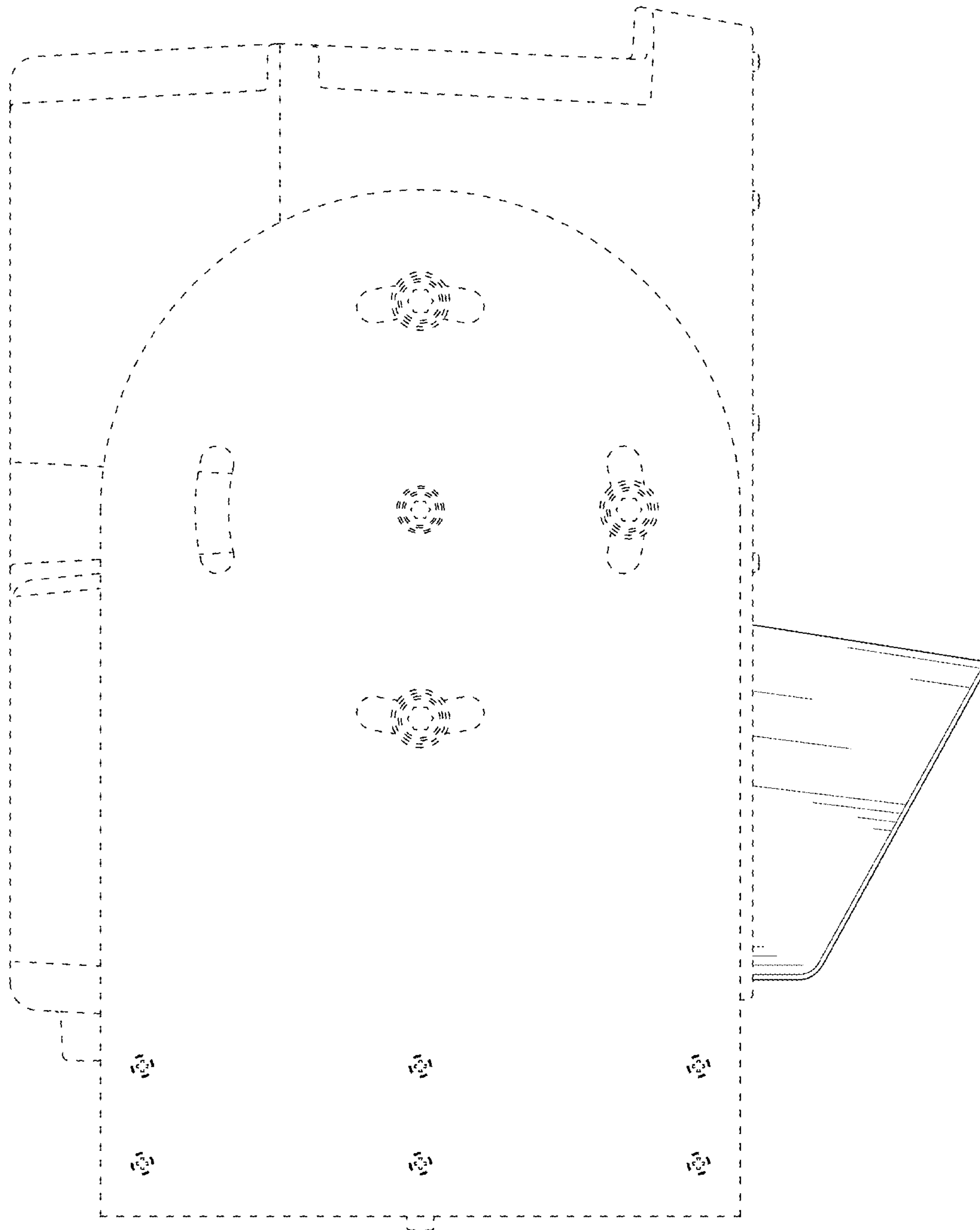


Fig.6

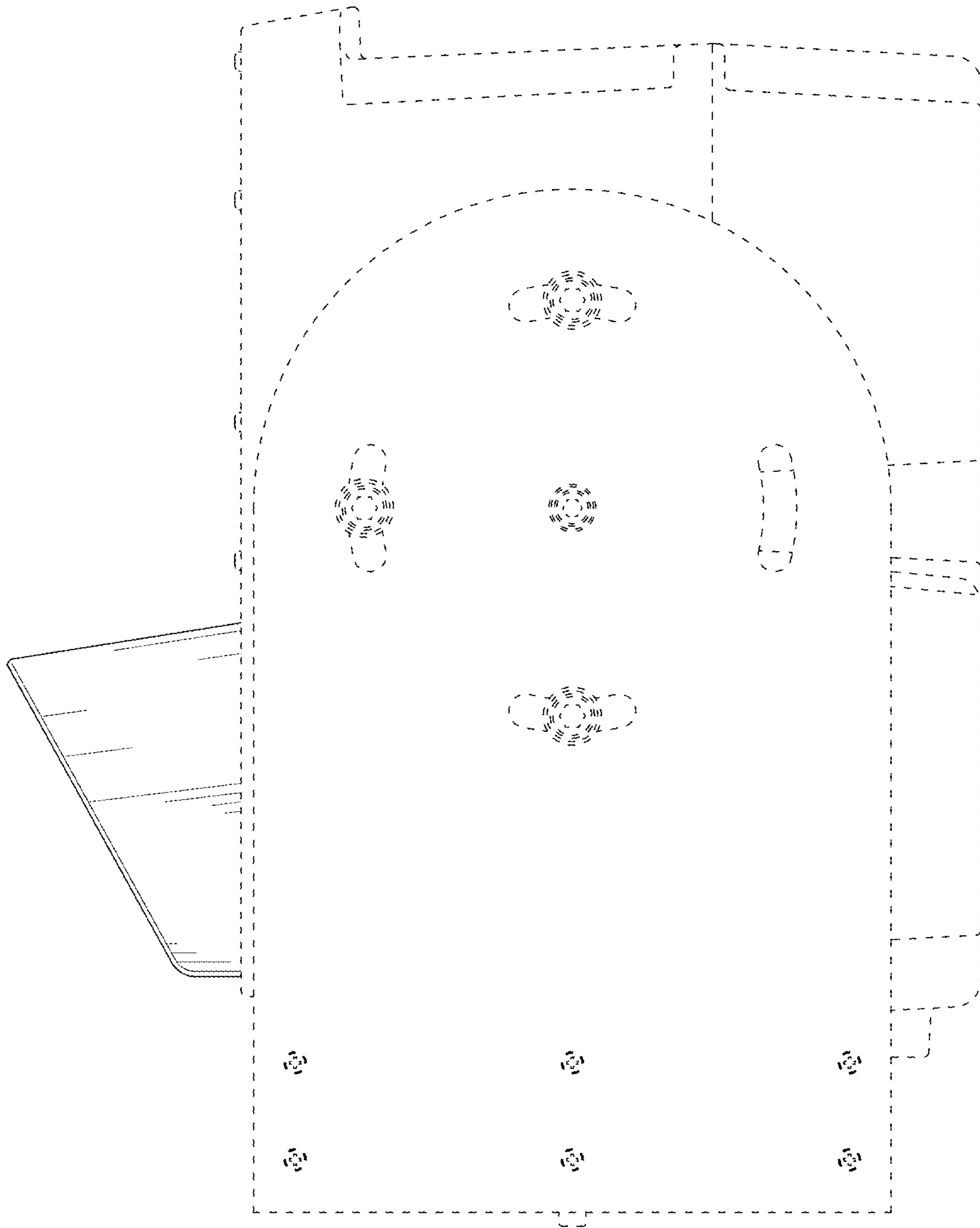


Fig.7

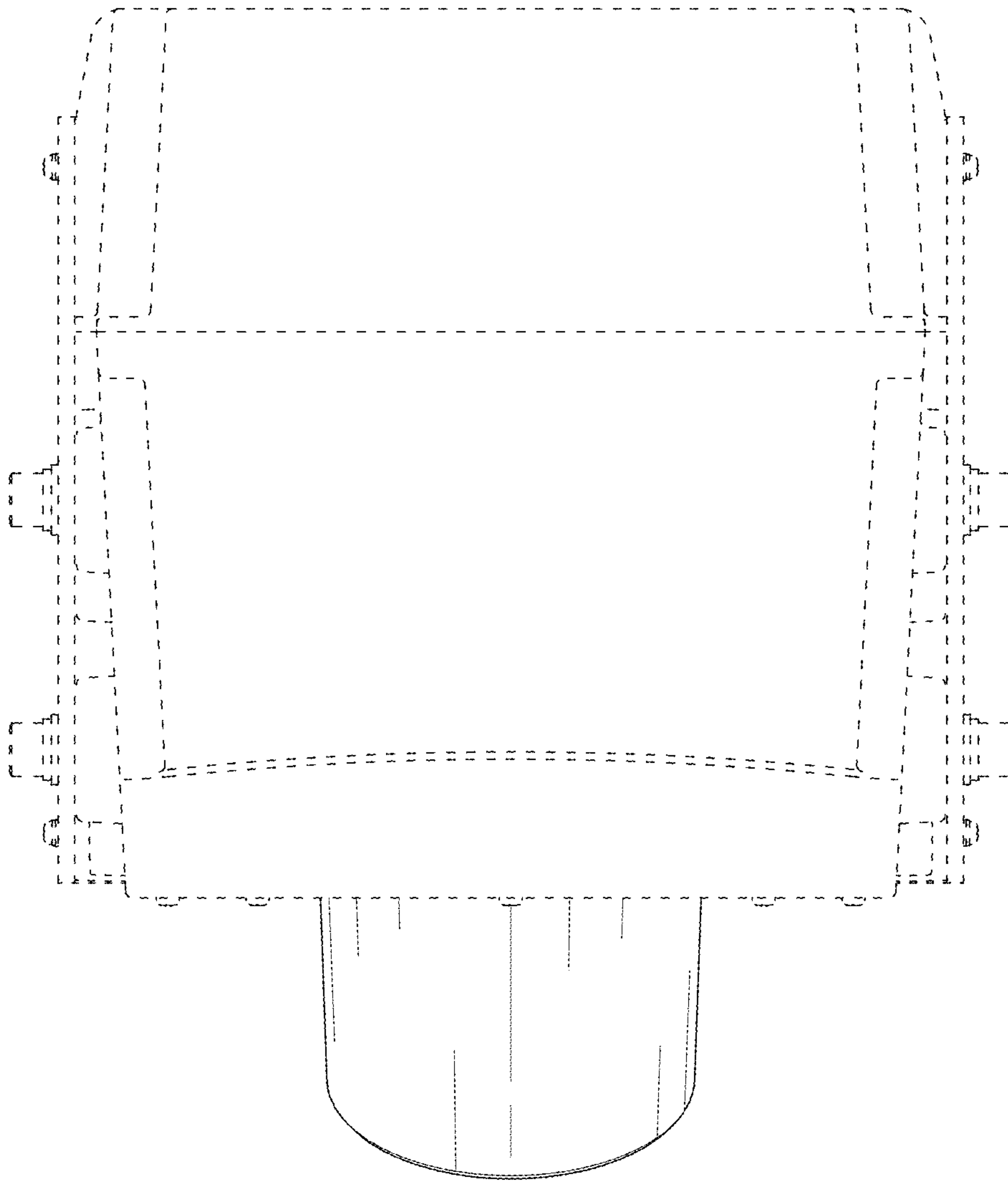


Fig.8

