



US00D973119S

(12) **United States Design Patent**
Zhang

(10) **Patent No.:** **US D973,119 S**

(45) **Date of Patent:** **** Dec. 20, 2022**

(54) **WEBCAM**

(71) Applicant: **SHENZHEN IFROO TECHNOLOGY CO., LTD.**, Shenzhen (CN)

(72) Inventor: **Zhipeng Zhang**, Shangrao (CN)

(73) Assignee: **SHENZHEN IFROO TECHNOLOGY CO., LTD.**, Shenzhen (CN)

(**) Term: **15 Years**

(21) Appl. No.: **29/787,612**

(22) Filed: **Jun. 8, 2021**

(51) **LOC (13) Cl.** **16-01**

(52) **U.S. Cl.**
USPC **D16/202**

(58) **Field of Classification Search**
USPC D16/200, 202–203, 208, 218, 219, 242;
248/187.1; 348/14.01–14.6, 143, 148,
348/151, 373–376; 396/419, 427, 428,
396/535, 539–541
CPC G03B 17/02; G03B 19/04; G03B 17/56;
G03B 17/04; G03B 15/03; H04N
2101/00; H04N 2007/145; H04N 7/141;
H04N 7/142; H04N 7/147; H04N 7/148;
H04N 7/15; H04N 7/152
See application file for complete search history.

(56) **References Cited**

U.S. PATENT DOCUMENTS

D632,718 S * 2/2011 Tzeng D16/202
D641,388 S * 7/2011 Shih D16/202

D654,942 S * 2/2012 Khamsepoor D16/202
D664,579 S * 7/2012 Tzeng D16/202
D675,660 S * 2/2013 Su D16/202
D680,144 S * 4/2013 Tsai D16/202
D682,332 S * 5/2013 Wang D16/202
D709,117 S * 7/2014 Gan D16/202
D849,089 S * 5/2019 Lu D16/202
D870,790 S * 12/2019 Depay D16/202
D901,570 S * 11/2020 Hao D16/202
D910,730 S * 2/2021 Hao D16/202
D931,927 S * 9/2021 Russo D16/202

* cited by examiner

Primary Examiner — Ramzi Almatrahi

(74) *Attorney, Agent, or Firm* — Nitin Kaushik

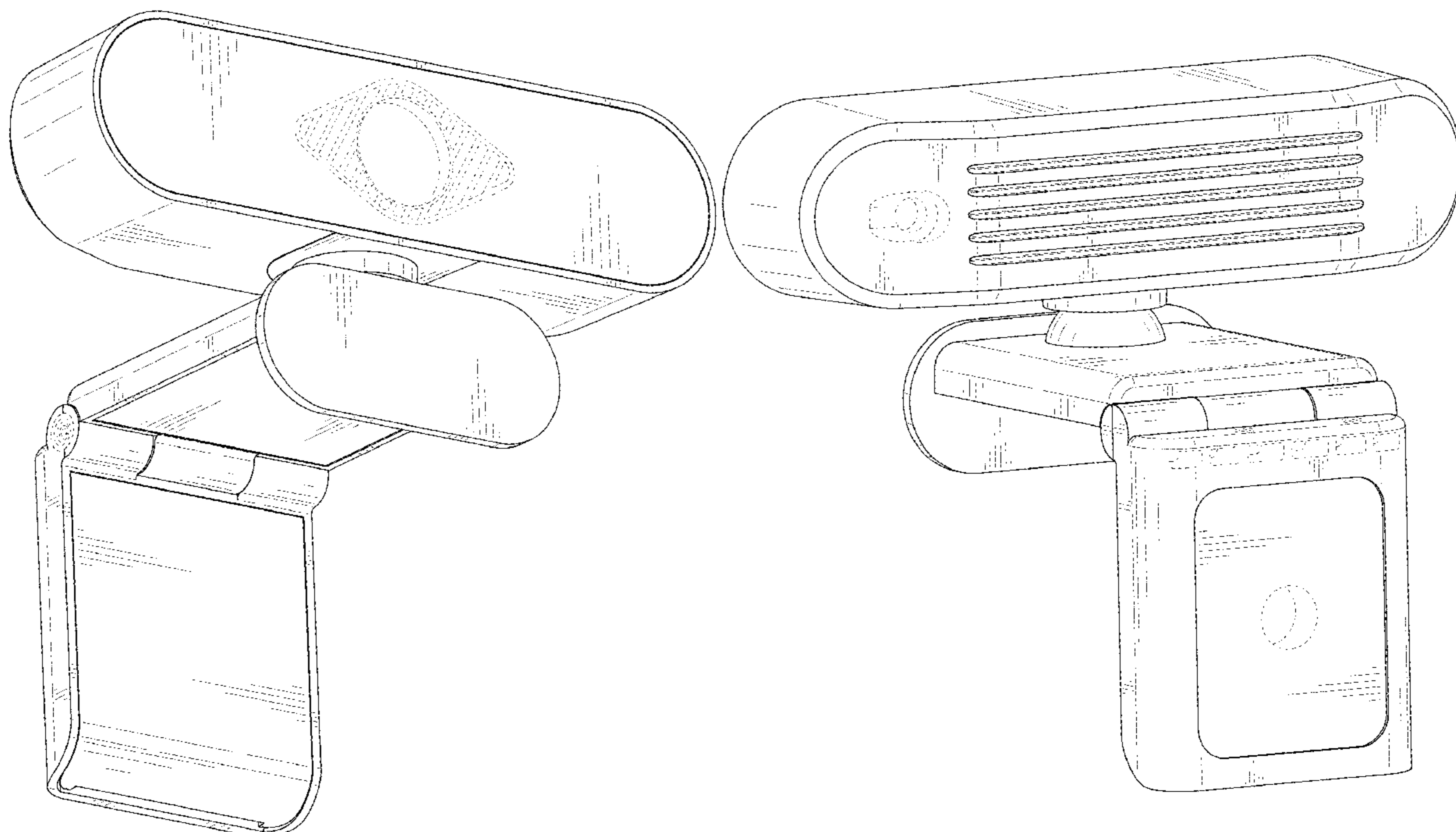
(57) **CLAIM**

The ornamental design for a webcam, as shown and described.

DESCRIPTION

FIG. 1 is a bottom, front and left side perspective view of a webcam showing my new design;
FIG. 2 is a top, rear and right side perspective view thereof;
FIG. 3 is a front elevational view thereof;
FIG. 4 is a rear elevational view thereof;
FIG. 5 is a left side elevational view thereof;
FIG. 6 is a right side elevational view thereof;
FIG. 7 is a top plan view thereof; and,
FIG. 8 is a bottom plan view thereof.
The broken lines in the drawings depict portions of the webcam that form no part of the claimed design.

1 Claim, 8 Drawing Sheets



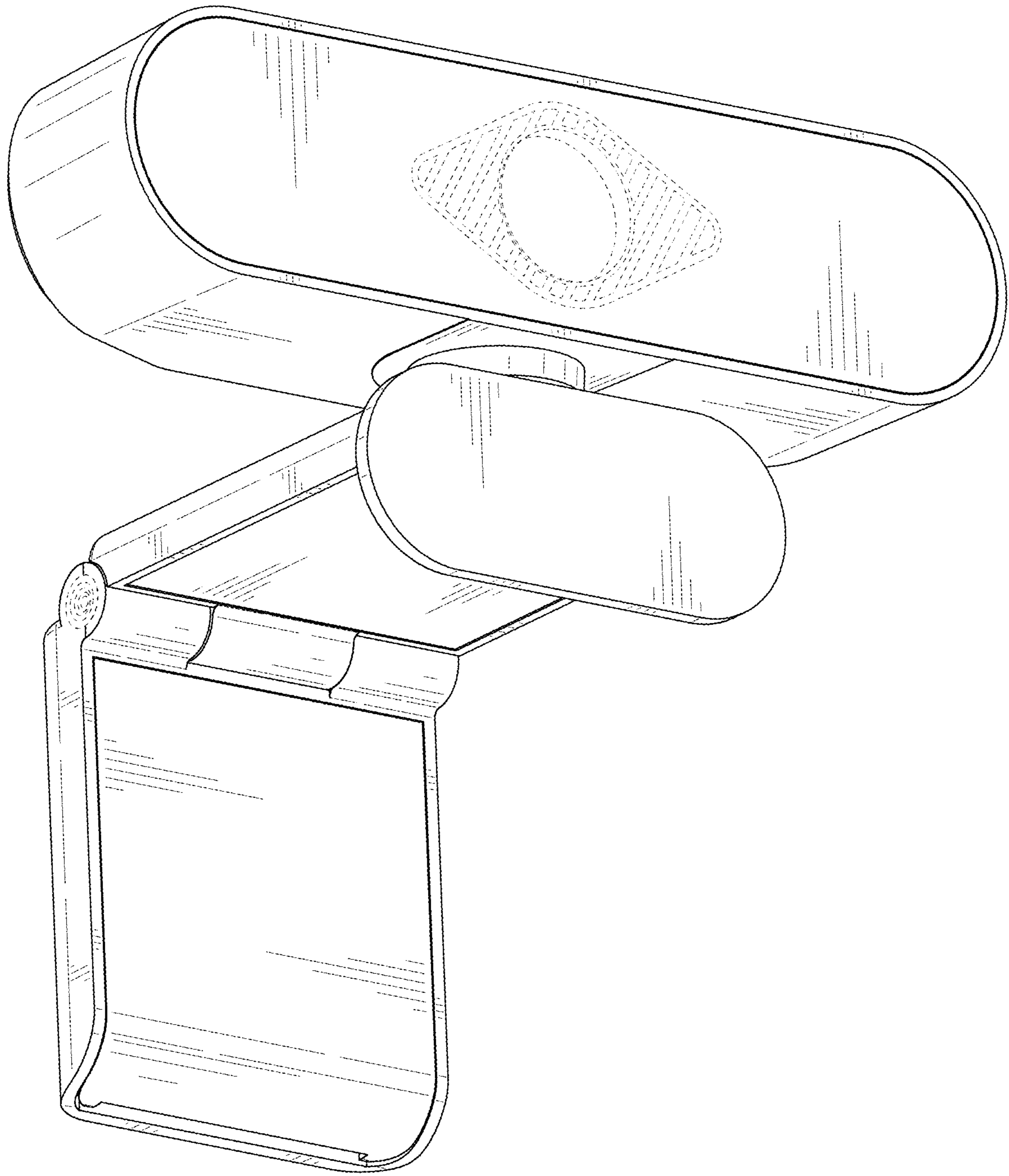


FIG. 1

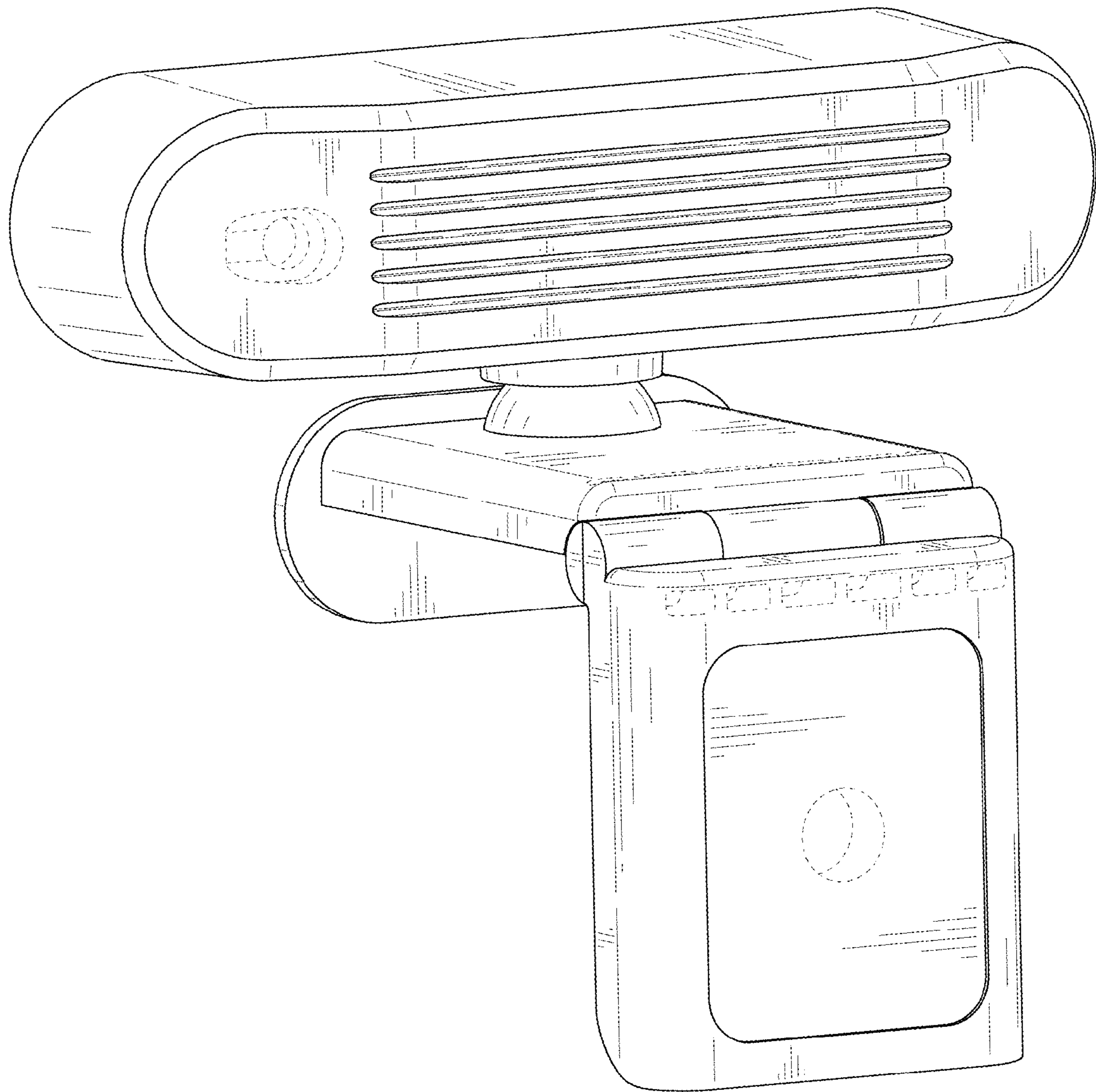


FIG. 2

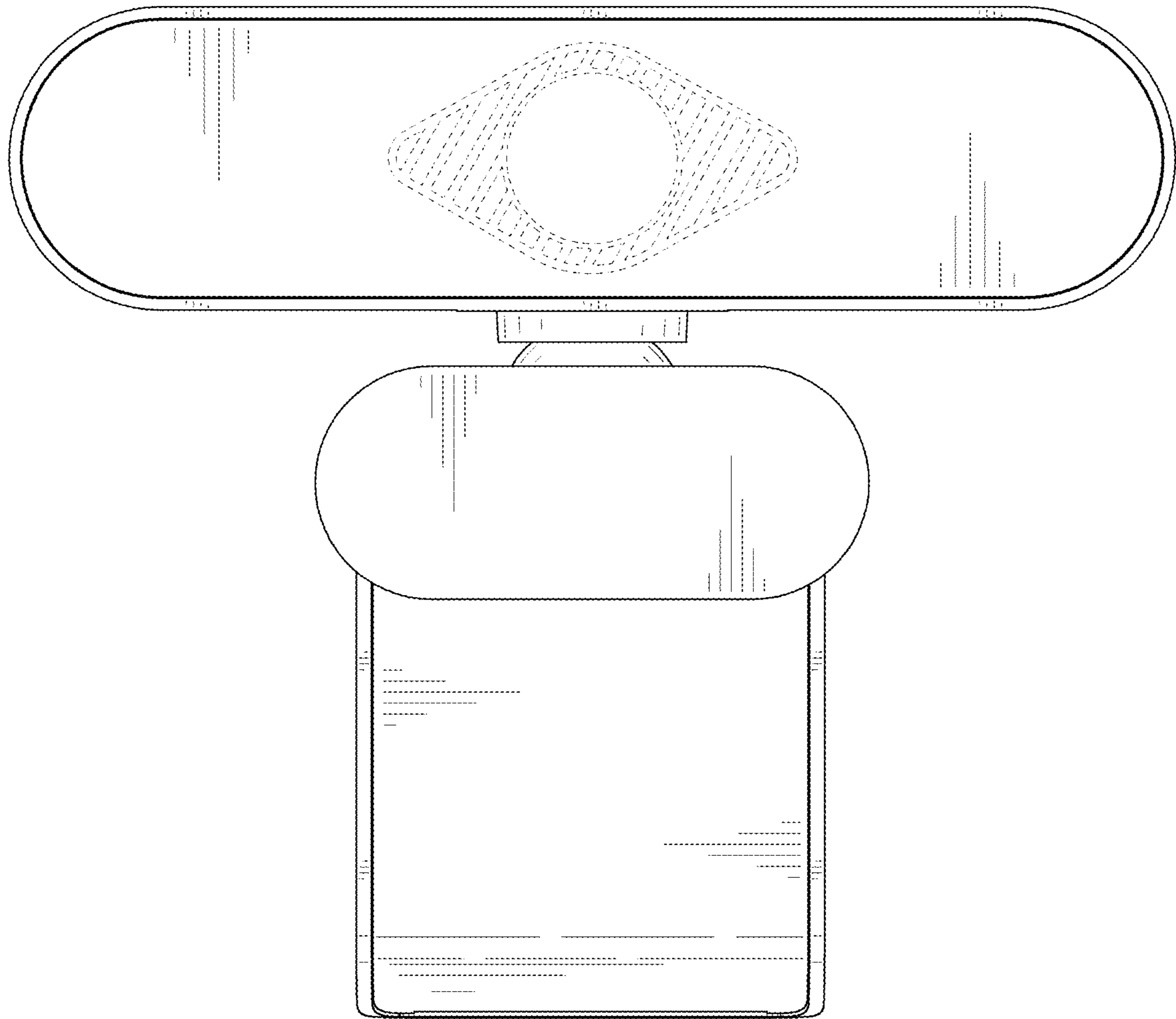


FIG. 3

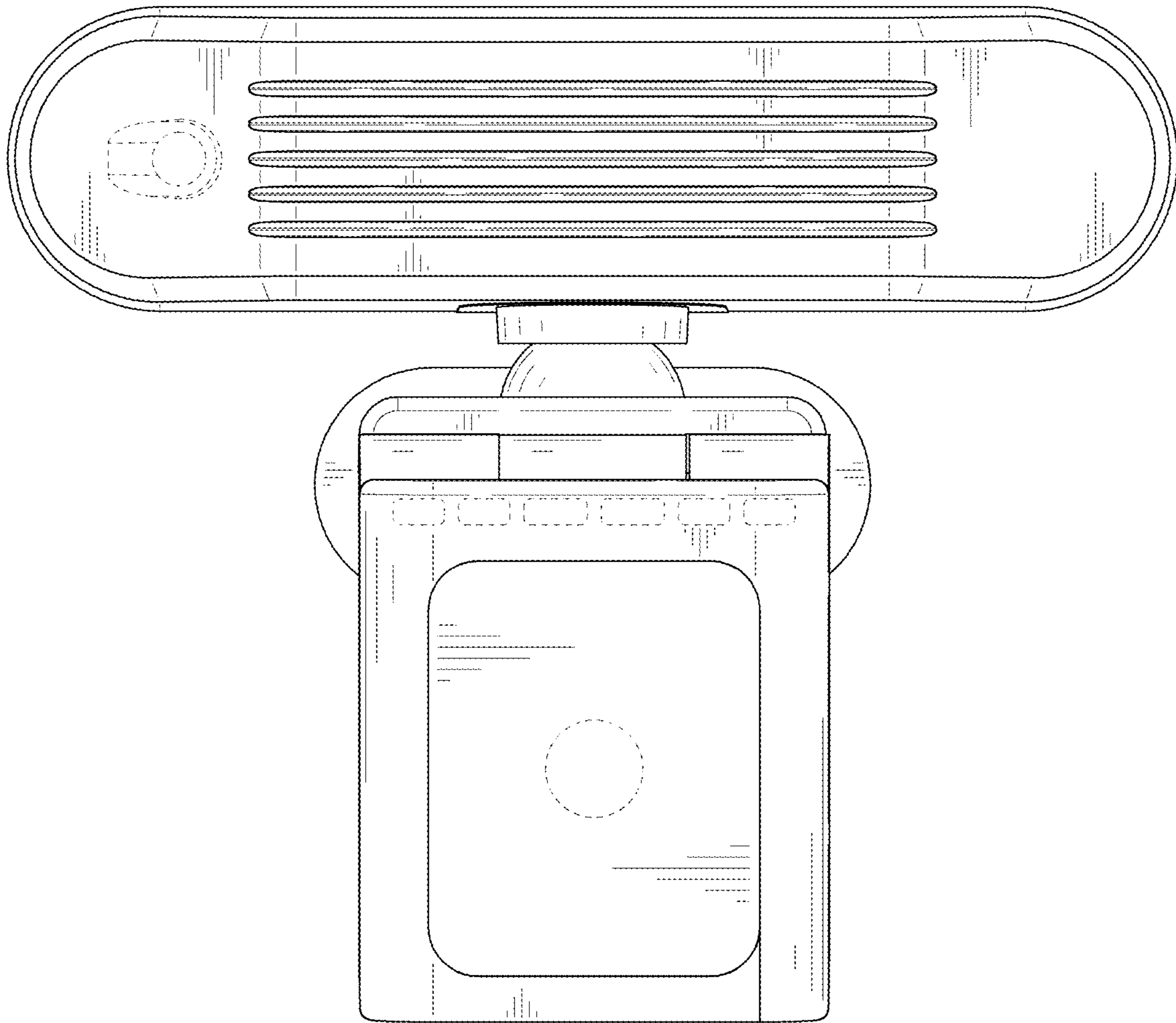


FIG. 4

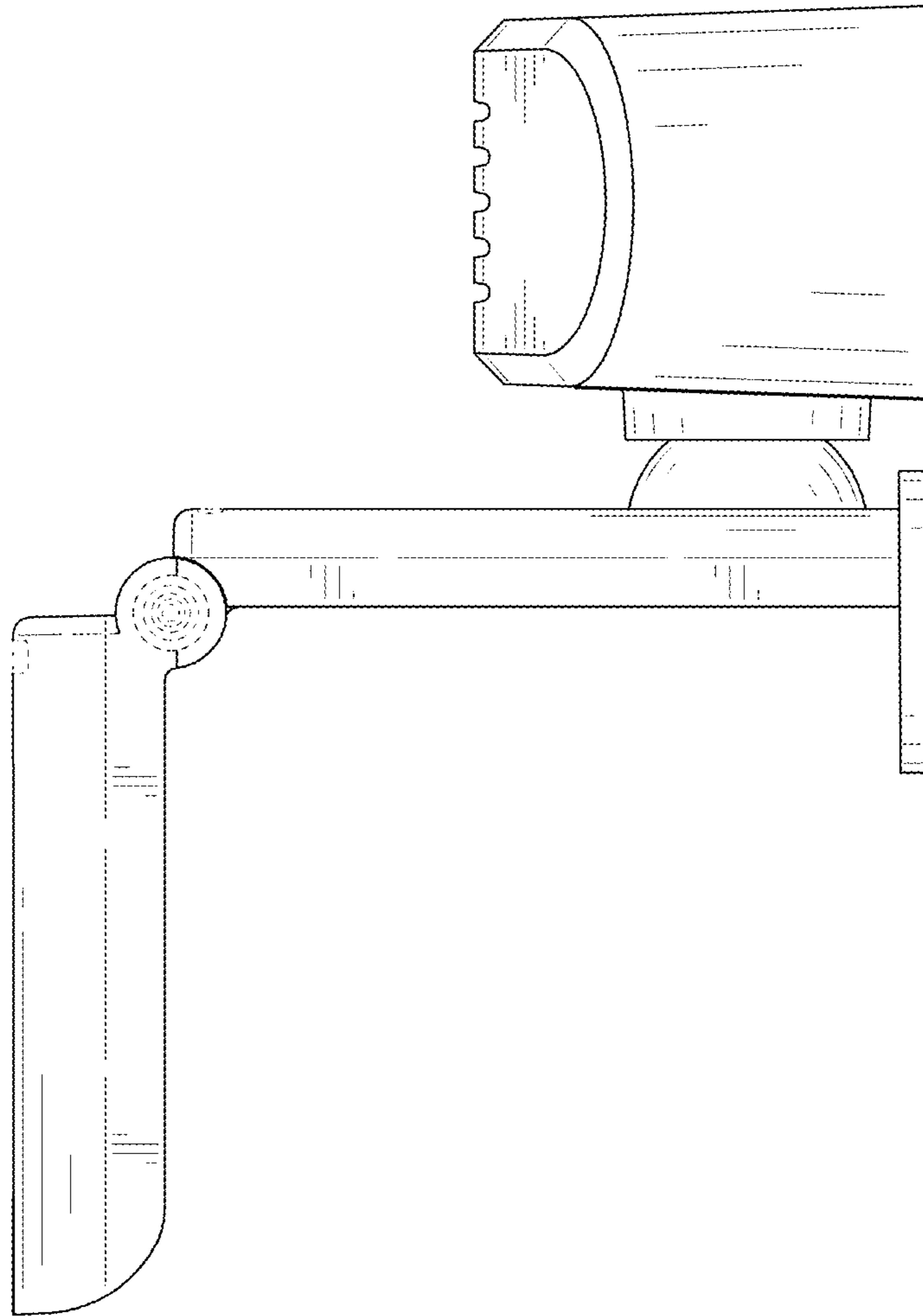


FIG. 5

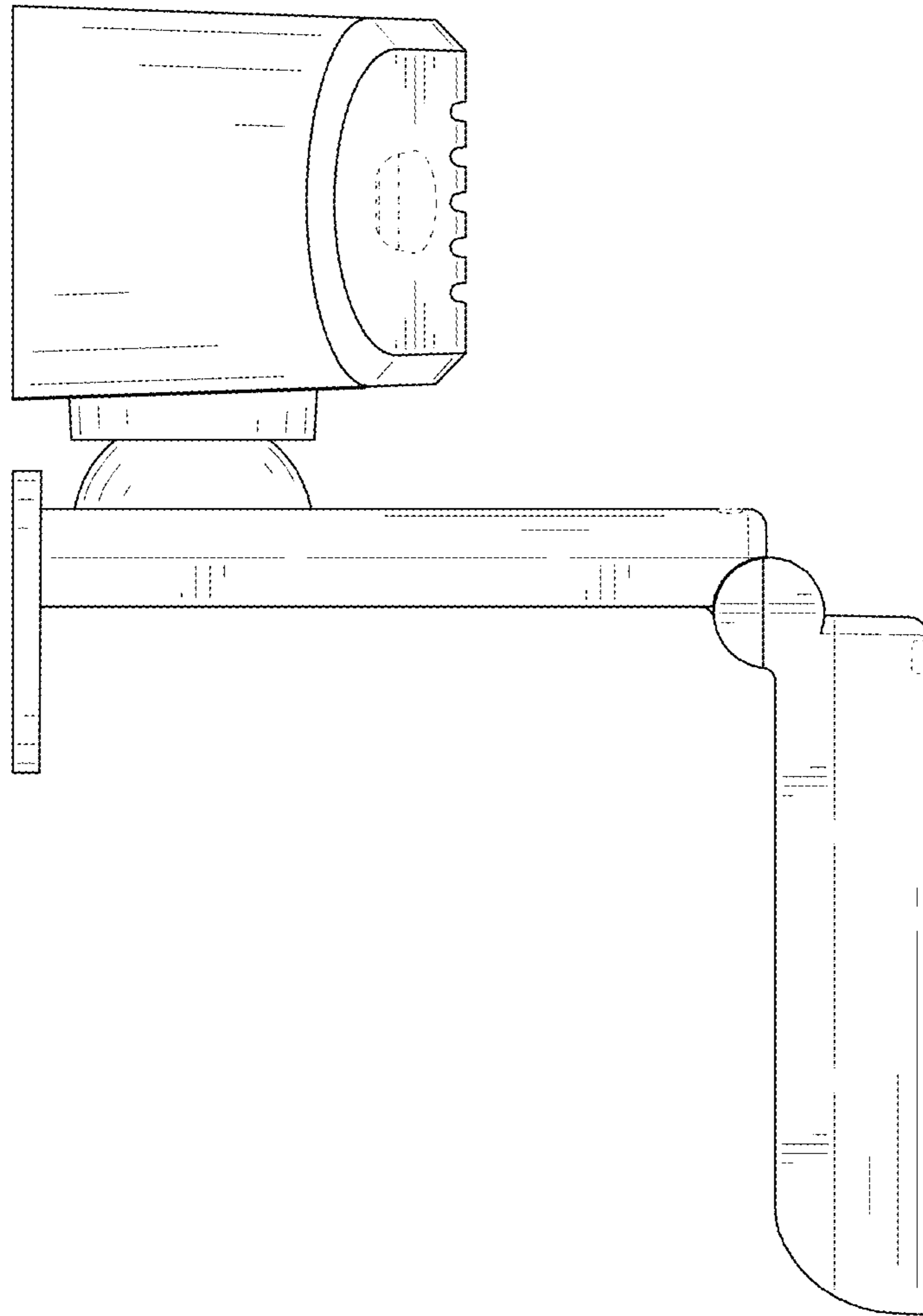


FIG. 6

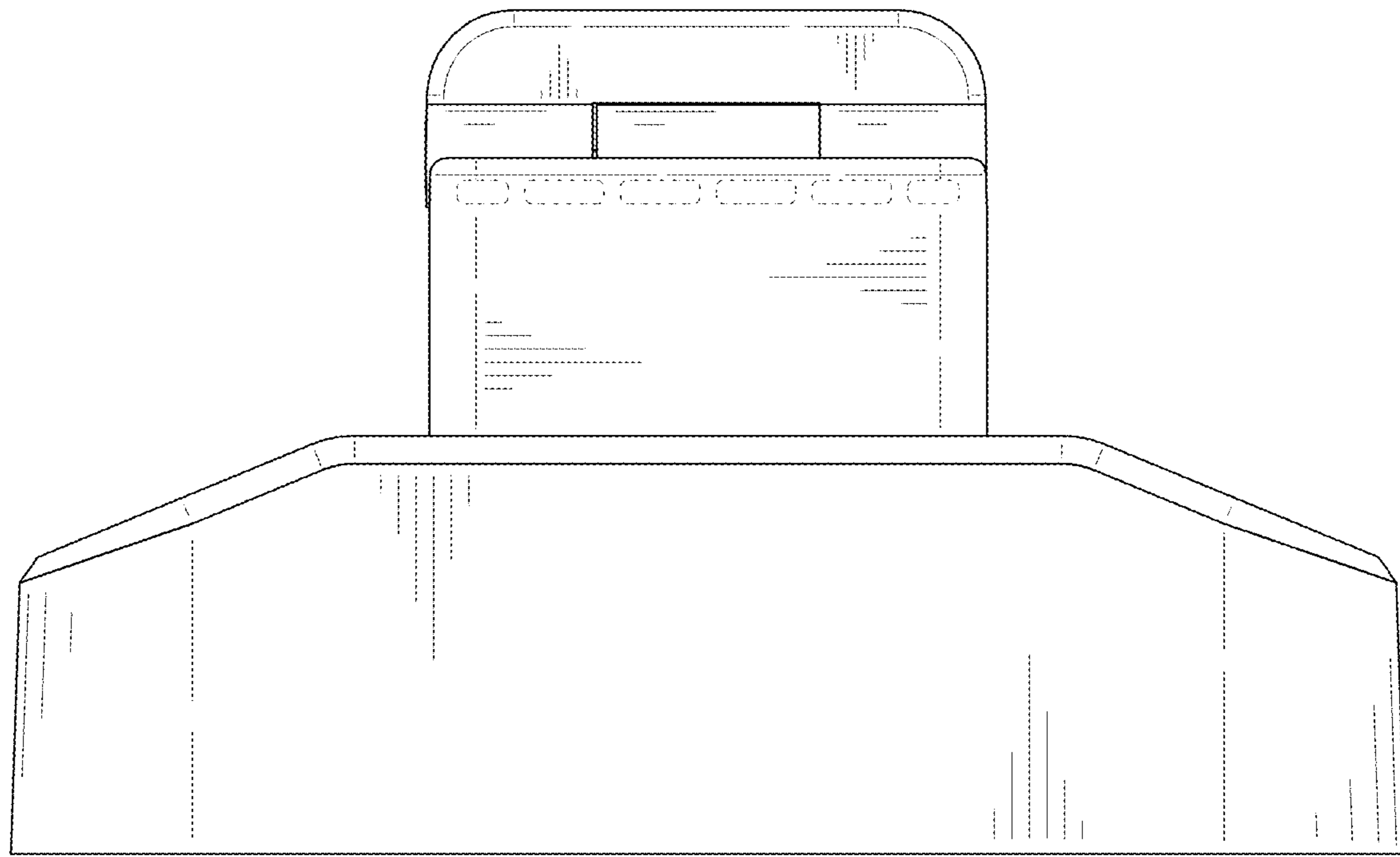


FIG. 7

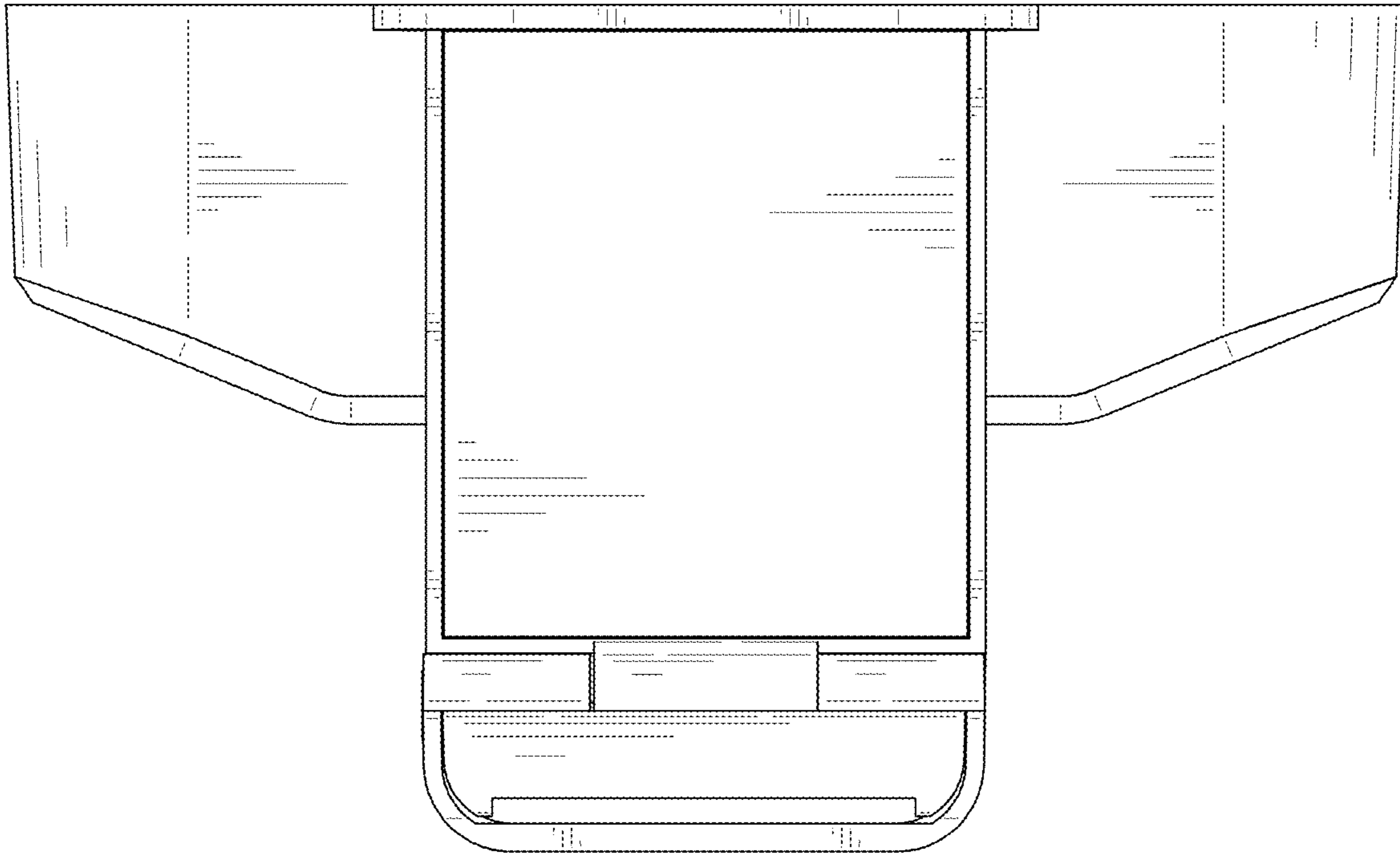


FIG. 8