



US00D973118S

(12) **United States Design Patent**
Lucente, II et al.

(10) **Patent No.:** **US D973,118 S**

(45) **Date of Patent:** **** Dec. 20, 2022**

(54) **CAMERA**

(71) Applicant: **Deep Seek Labs, Inc.**, Winthrop, WA (US)

(72) Inventors: **Samuel Anthony Lucente, II**, San Francisco, CA (US); **Elliot Lucas Ortiz**, San Francisco, CA (US)

(73) Assignee: **DEEP SEEK LABS, INC.**, Winthrop, WA (US)

(**) Term: **15 Years**

(21) Appl. No.: **29/754,542**

(22) Filed: **Oct. 12, 2020**

(51) **LOC (13) Cl.** **16-01**

(52) **U.S. Cl.**
USPC **D16/202; D16/203**

(58) **Field of Classification Search**
USPC D16/200–203, 207–208, 214, 218–219;
D10/46, 61, 62, 65, 70, 71, 104.1, 106.6,
D10/106.7, 109.1, 109.2, 114.8, 121
CPC G03B 17/00; G03B 17/02; G03B 17/56;
G03B 2217/00; H04N 5/2251; H04N
5/2252; H04N 5/2254
See application file for complete search history.

(56) **References Cited**

U.S. PATENT DOCUMENTS

D349,911 S * 8/1994 Shimizu 348/143
D729,861 S * 5/2015 Huang D16/203
D834,630 S * 11/2018 Huang D16/203
D888,796 S * 6/2020 Carlsson D16/203

(Continued)

FOREIGN PATENT DOCUMENTS

CN 303597056 * 2/2016
CN 303618076 * 3/2016

(Continued)

OTHER PUBLICATIONS

“V380 1.3MP Fisheye HD 360 degree CCTV Camera Triangle 3D panoramic wireless wifi IP CCTV Security VR Camera” from alibaba.com, first retrieved May 4, 2022 from the internet <https://www.alibaba.com/product-detail/V380-1-3MP-Fisheye-HD-360_60729769781.html> (Year: 2022).*

(Continued)

Primary Examiner — Elizabeth J Oswecki

Assistant Examiner — Lacey Chey Bowman

(74) *Attorney, Agent, or Firm* — Christensen O’Connor Johnson Kindness PLLC

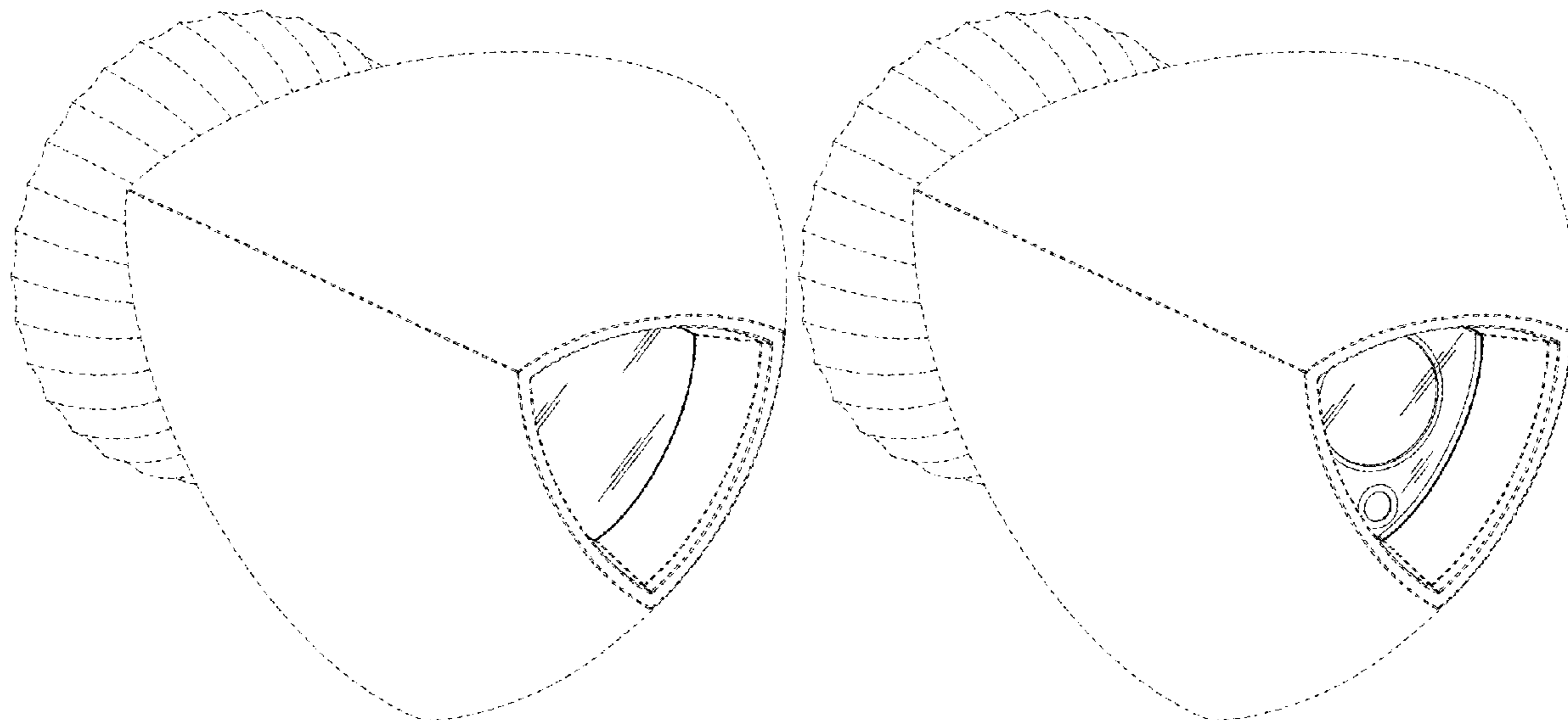
(57) **CLAIM**

The ornamental design for a camera, as shown and described.

DESCRIPTION

FIG. 1 is a top front left perspective view of a camera in accordance with our new design;
FIG. 2 is a front elevation view thereof;
FIG. 3 is a rear elevation view thereof;
FIG. 4 is a top plan view thereof;
FIG. 5 is a bottom plan view thereof;
FIG. 6 is a left side elevation view thereof;
FIG. 7 is a right side elevation view thereof;
FIG. 8 is a top front left perspective view of another embodiment of a camera in accordance with our new design;
FIG. 9 is a front elevation view thereof;
FIG. 10 is a rear elevation view thereof;
FIG. 11 is a top plan view thereof;
FIG. 12 is a bottom plan view thereof;
FIG. 13 is a left side elevation view thereof; and,
FIG. 14 is a right side elevation view thereof.
The broken lines in the Figures indicate environmental structure or boundaries of elements that form no part of the claimed design.

1 Claim, 8 Drawing Sheets



(56)

References Cited

U.S. PATENT DOCUMENTS

D888,797 S * 6/2020 Carlsson D16/203
D936,724 S * 11/2021 Sjögren D16/203
D950,630 S * 5/2022 Dallmeier D16/219
D955,463 S * 6/2022 Kawamoto D16/203

FOREIGN PATENT DOCUMENTS

CN 304742848 * 7/2018
CN 305173298 * 5/2019
KR 301139000.0000 * 11/2021

OTHER PUBLICATIONS

“EZVIZ Security Camera Outdoor, 1080P WiFi Camera with Motion Alert, 100ft Night Vision and IP67 Waterproof, Compatible with Alexa Google Home | C3TN” from Amazon.com, first available Aug. 19, 2021 from the internet <<https://www.amazon.com/dp/B09D2Y1PMH/>> (Year: 2021).*

“Camera Wireless Hidden HD 1080P Small Security Video Camera Mini Nany Cam with Night Vision and Motion Activated Indoor Use Security Cameras Surveillance Cam for Car Home Office” from Triadgift.com, first retrieved Jul. 27, 2022 from the internet <https://triadgift.com/products/spy-camera-wireless-hidden-hd-1080p-small-security-video-camera-mini-nany-cam-with-night-vision-and-motion-activated-indoor-use-security-cameras-surveillance-cam-for-car-home-office?sku=18054851619014647545760931&gclid=EAlalQobChMI9_7lo6iZ-QIVrf_jBx2_uQCOEAsYASABEgLeQvD_BwE> (Year: 2022).*

* cited by examiner

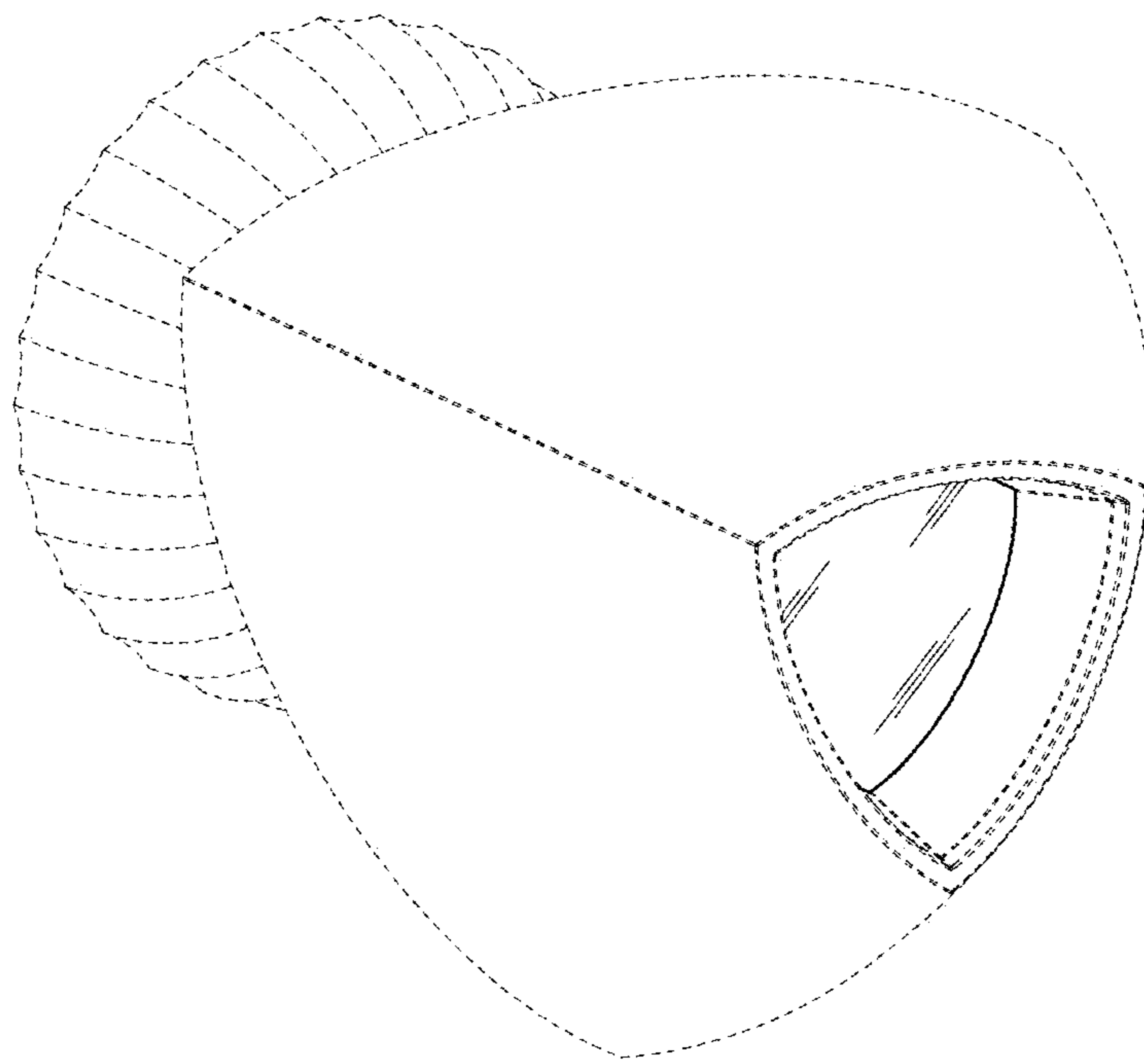


Fig. 1.

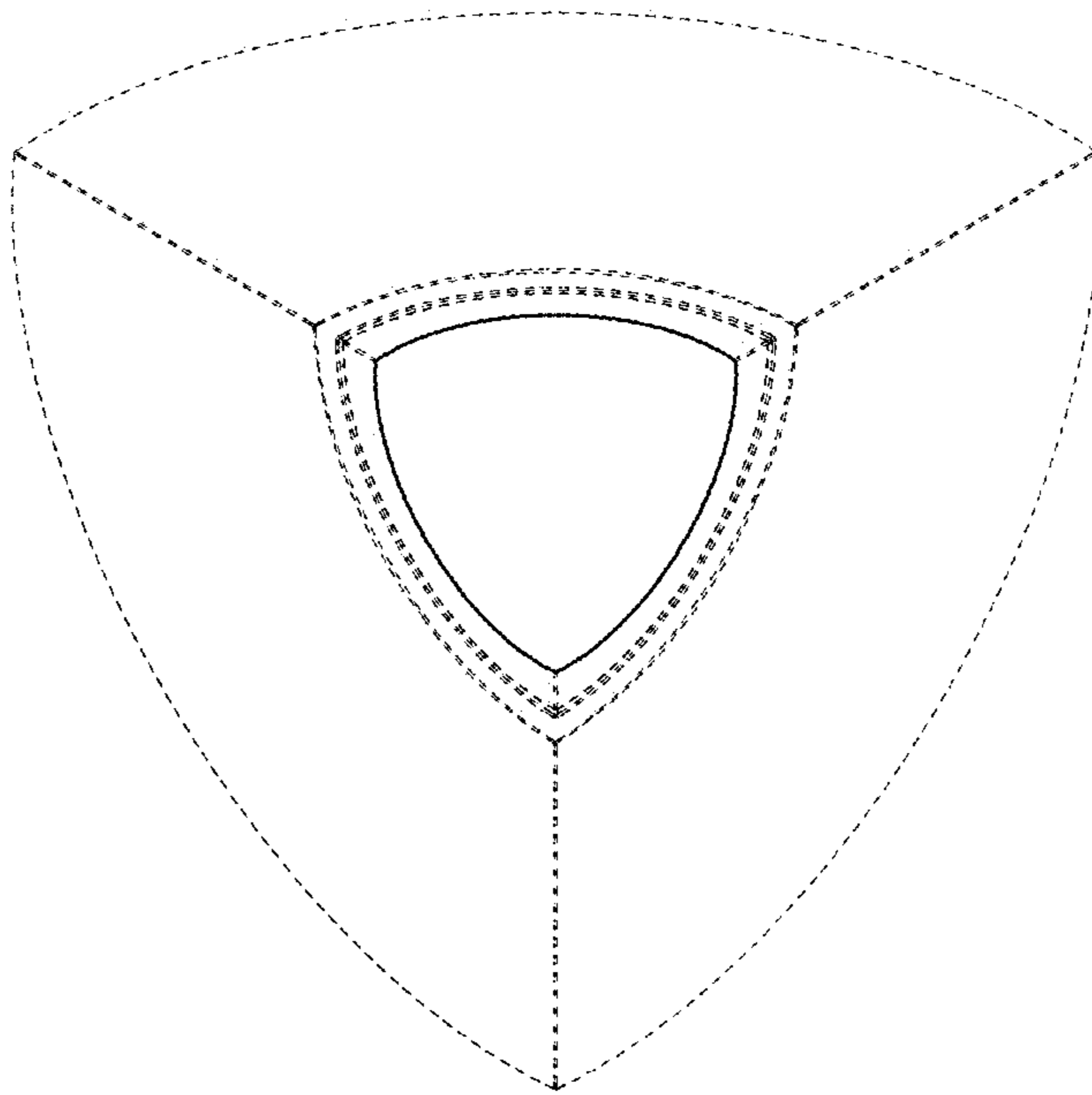


Fig. 2.

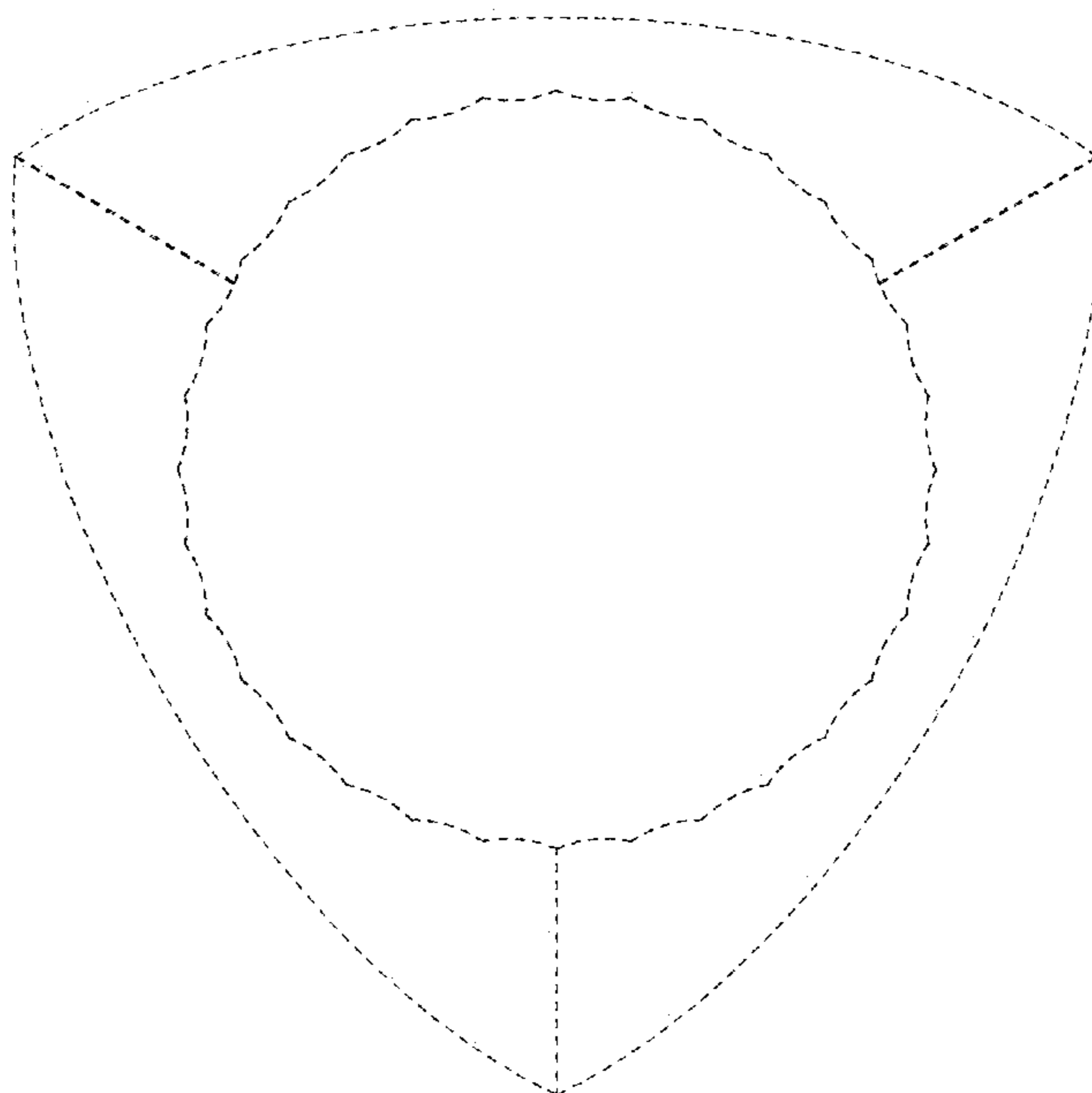


Fig. 3.

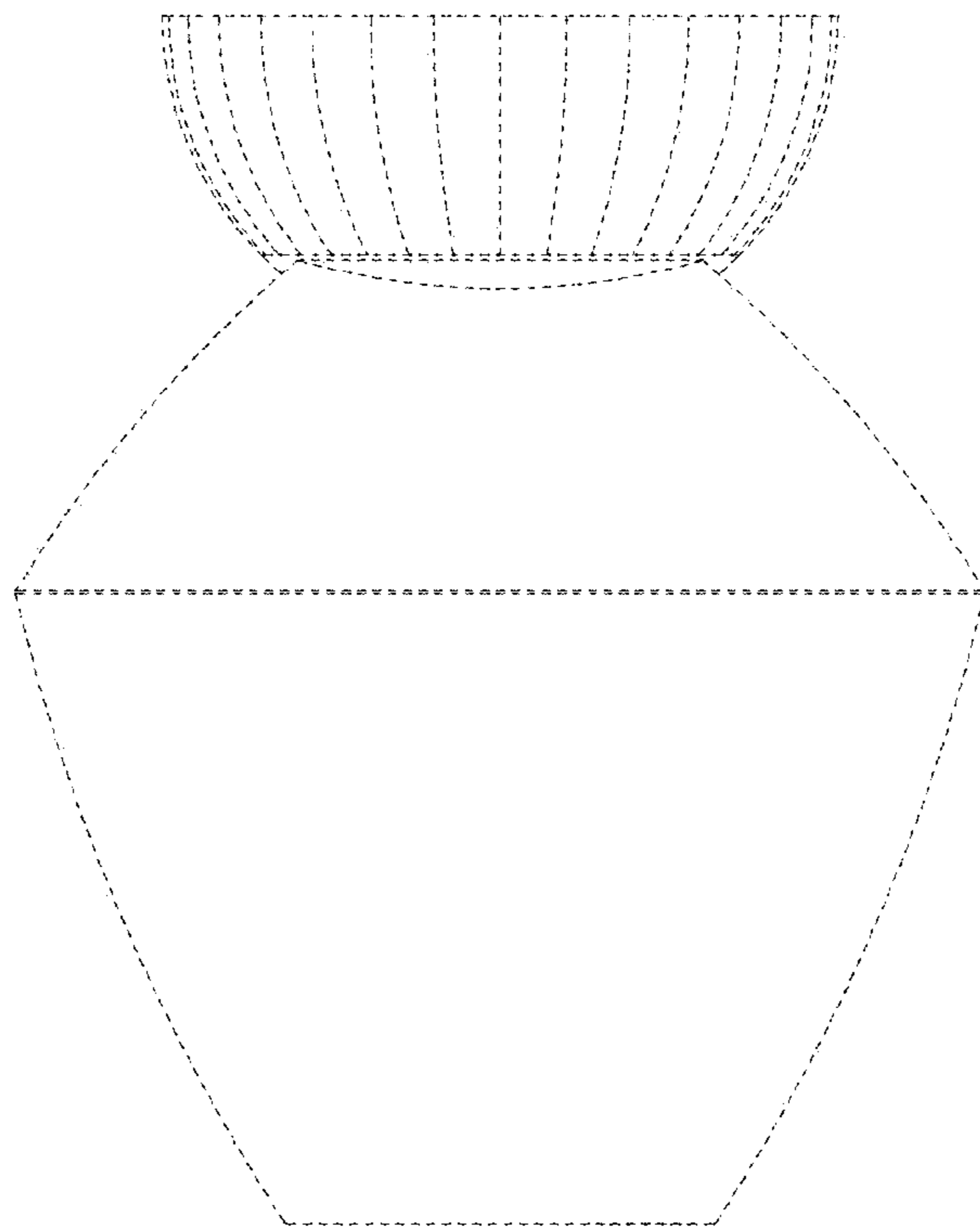


Fig. 4.

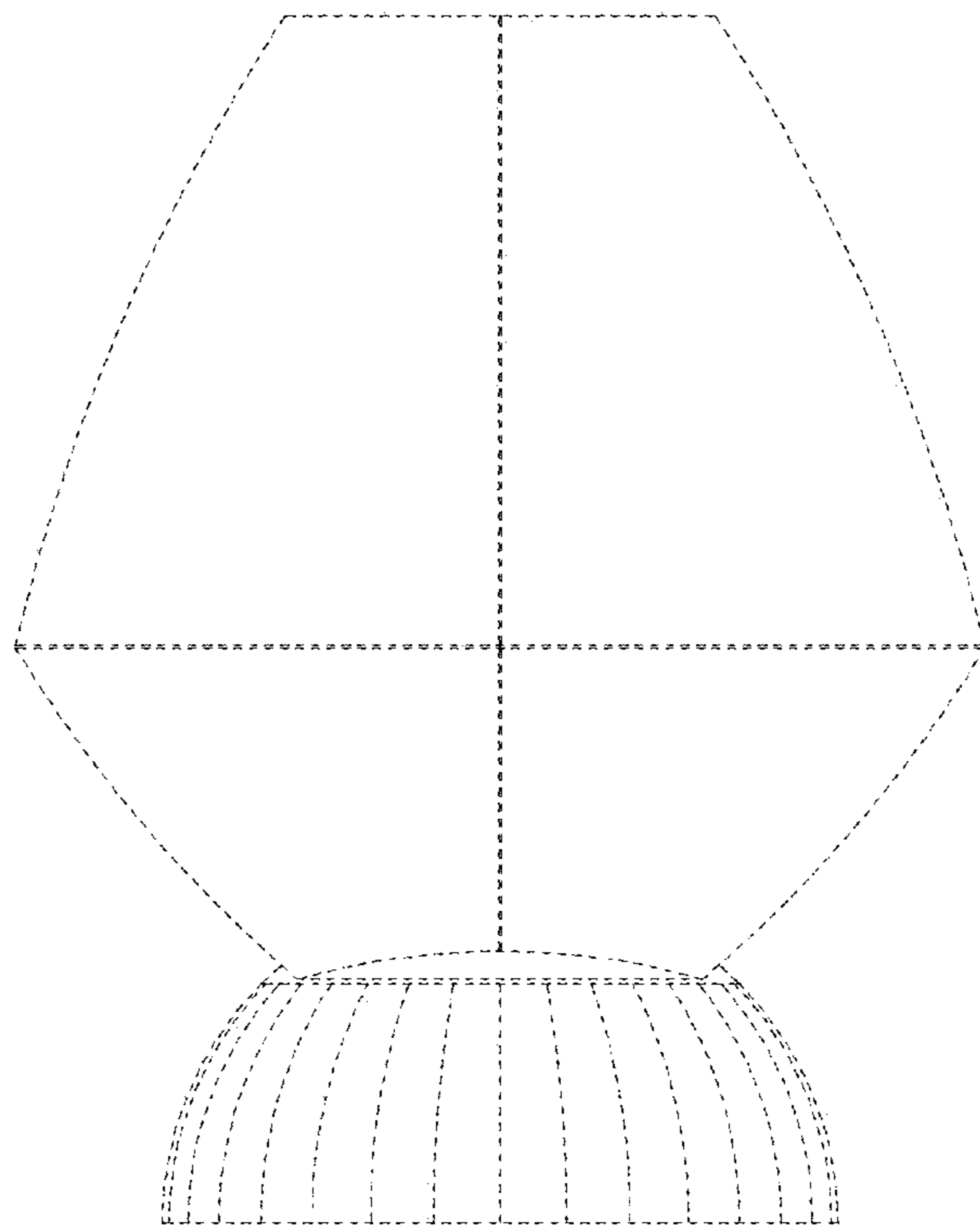


Fig. 5.

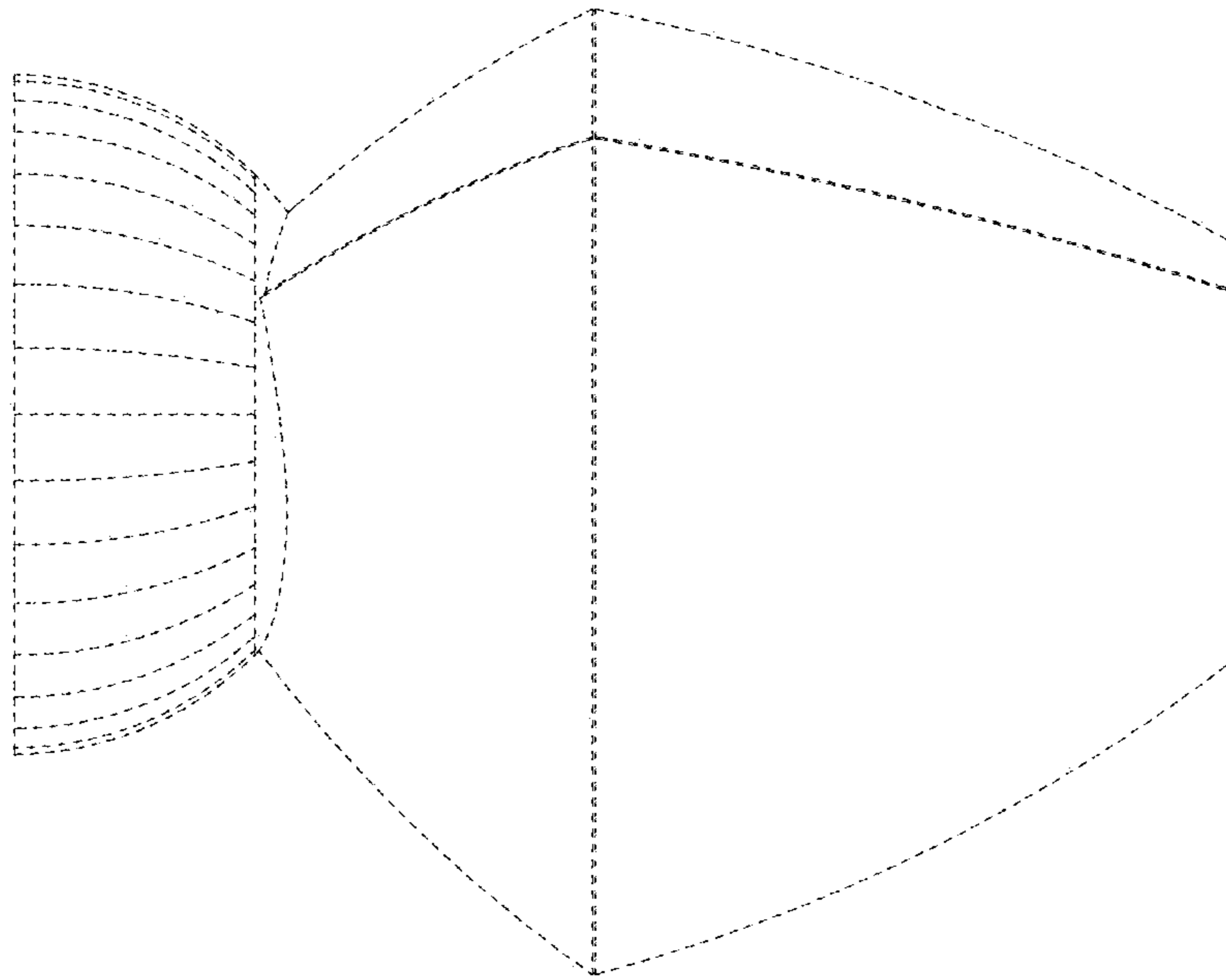


Fig. 6.

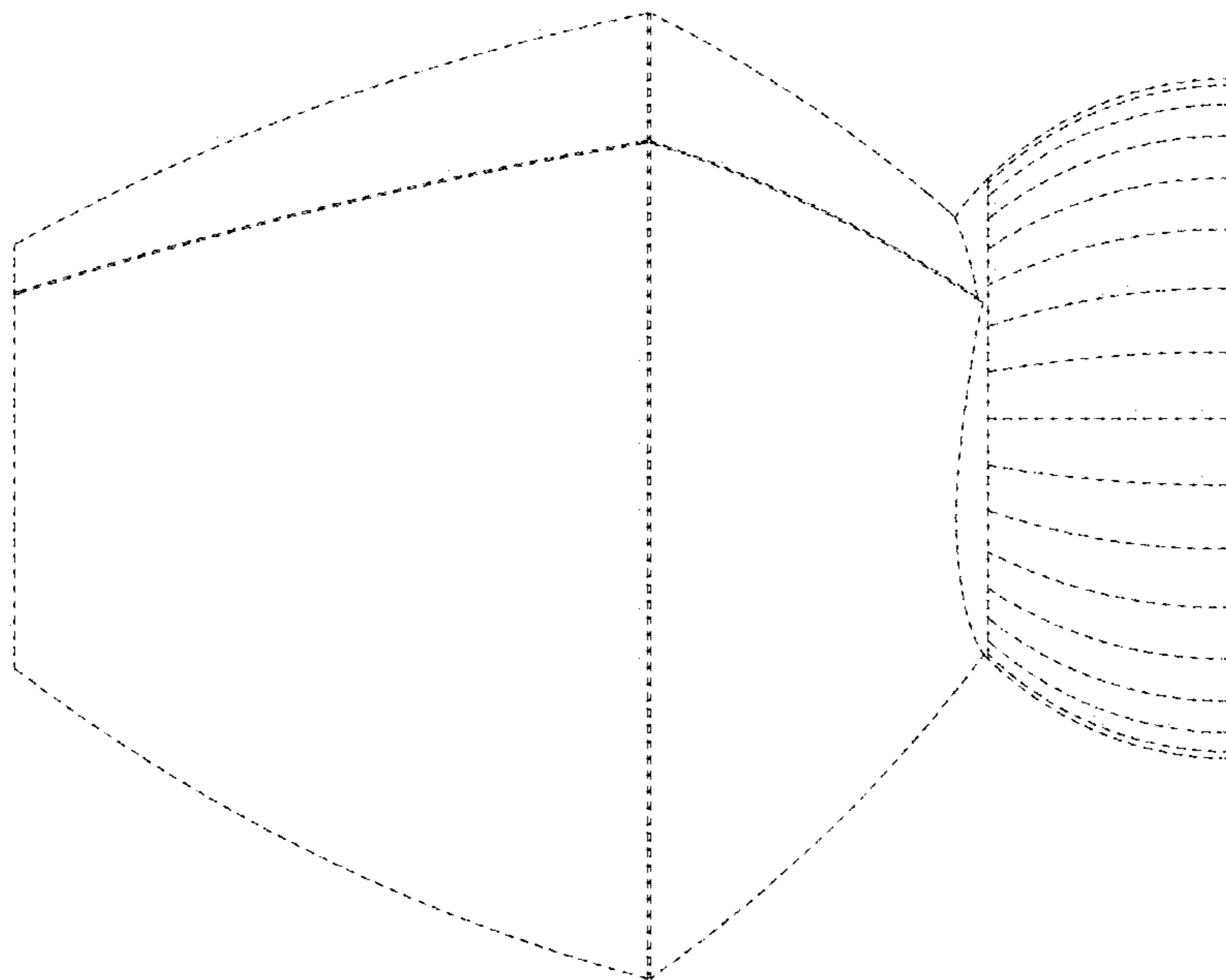


Fig. 7.

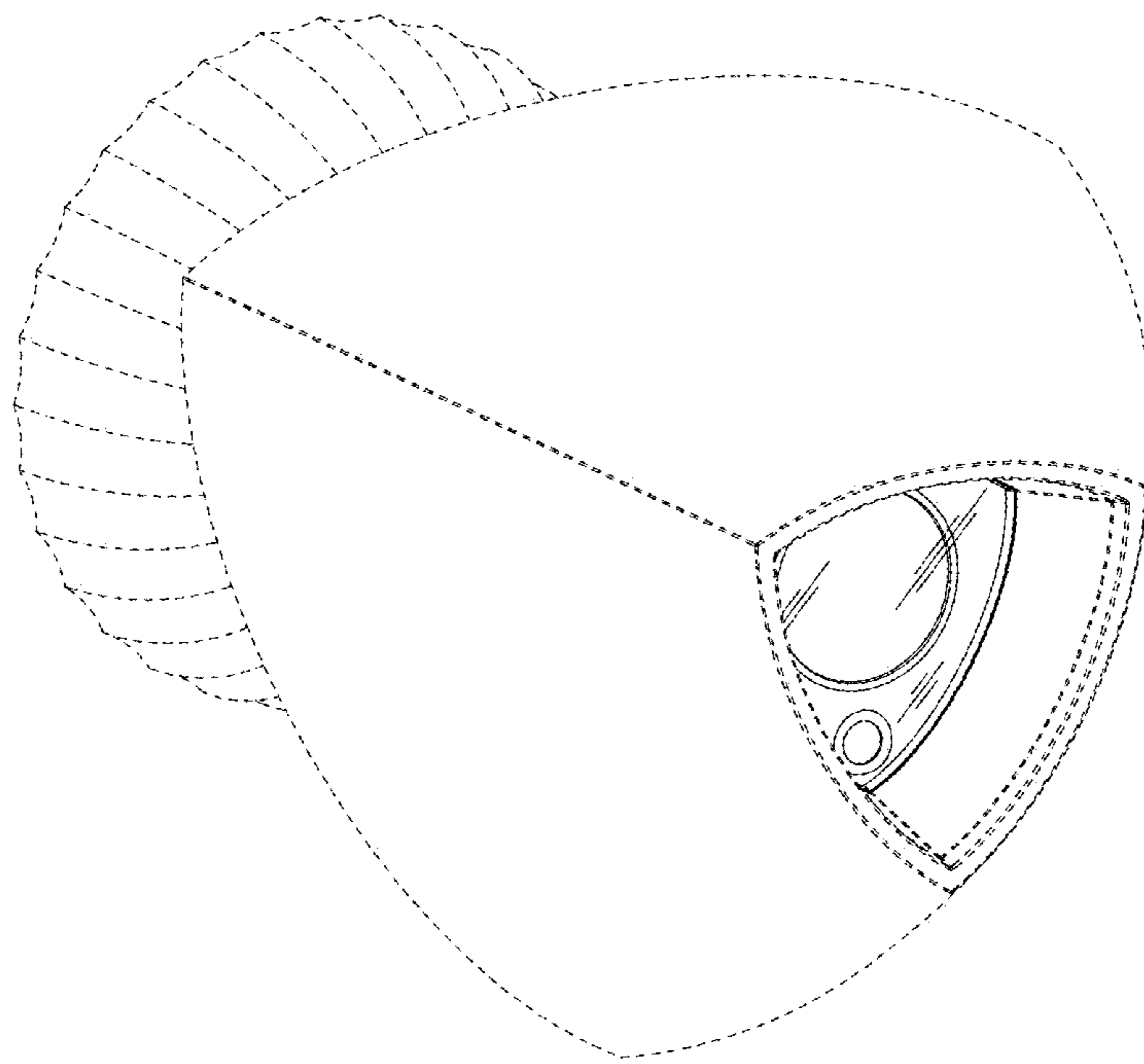


Fig. 8.

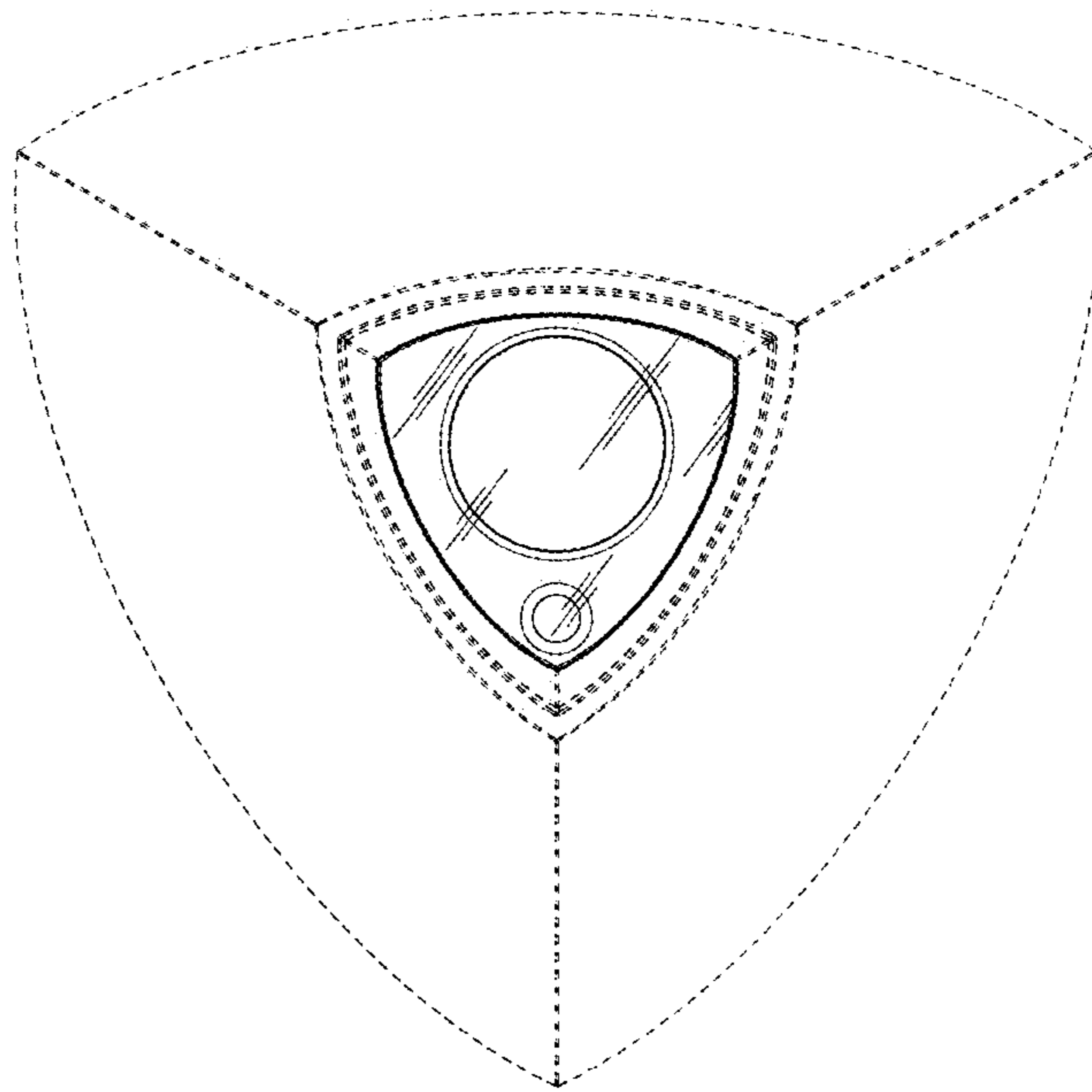


Fig. 9.

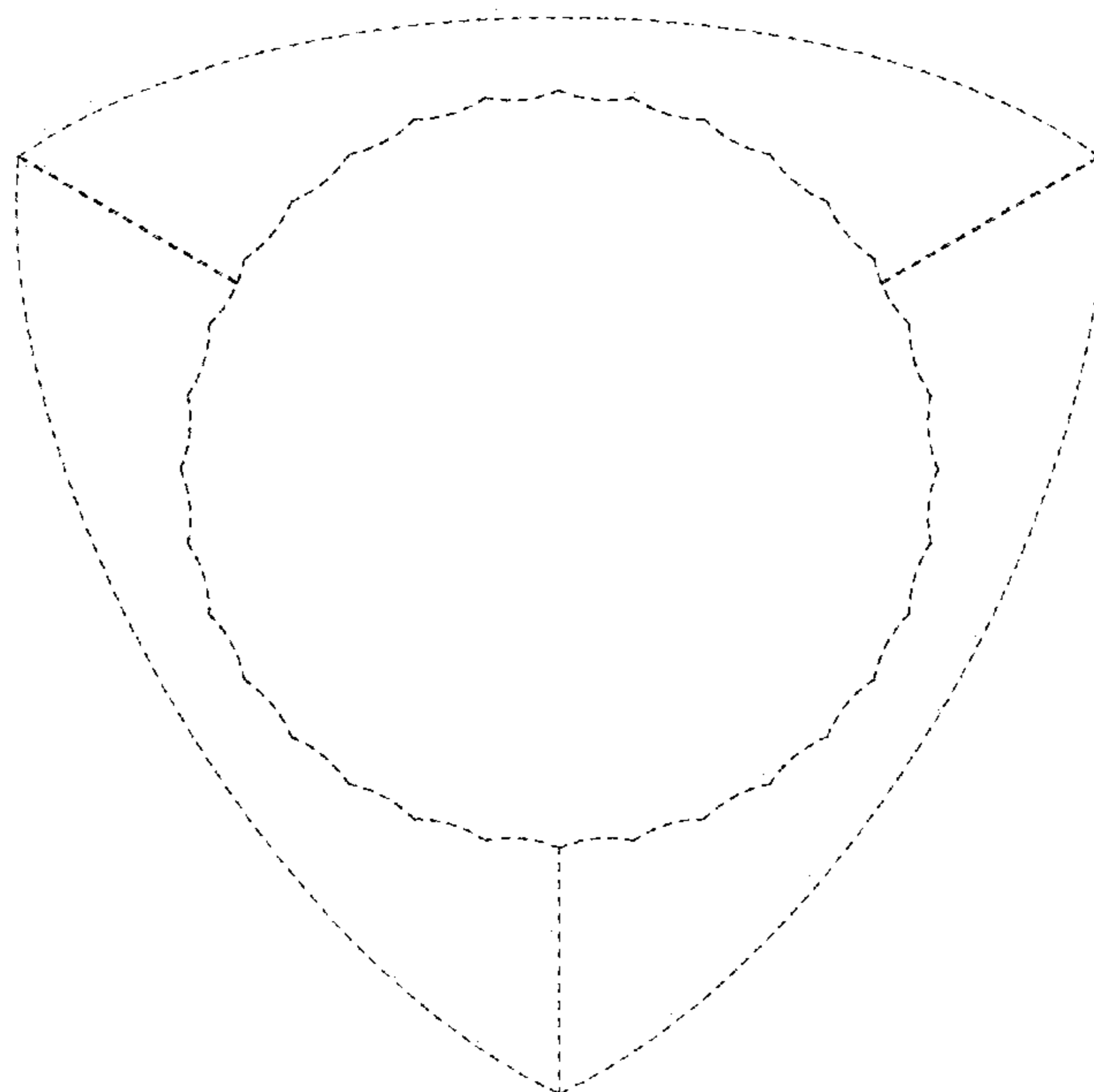


Fig. 10.

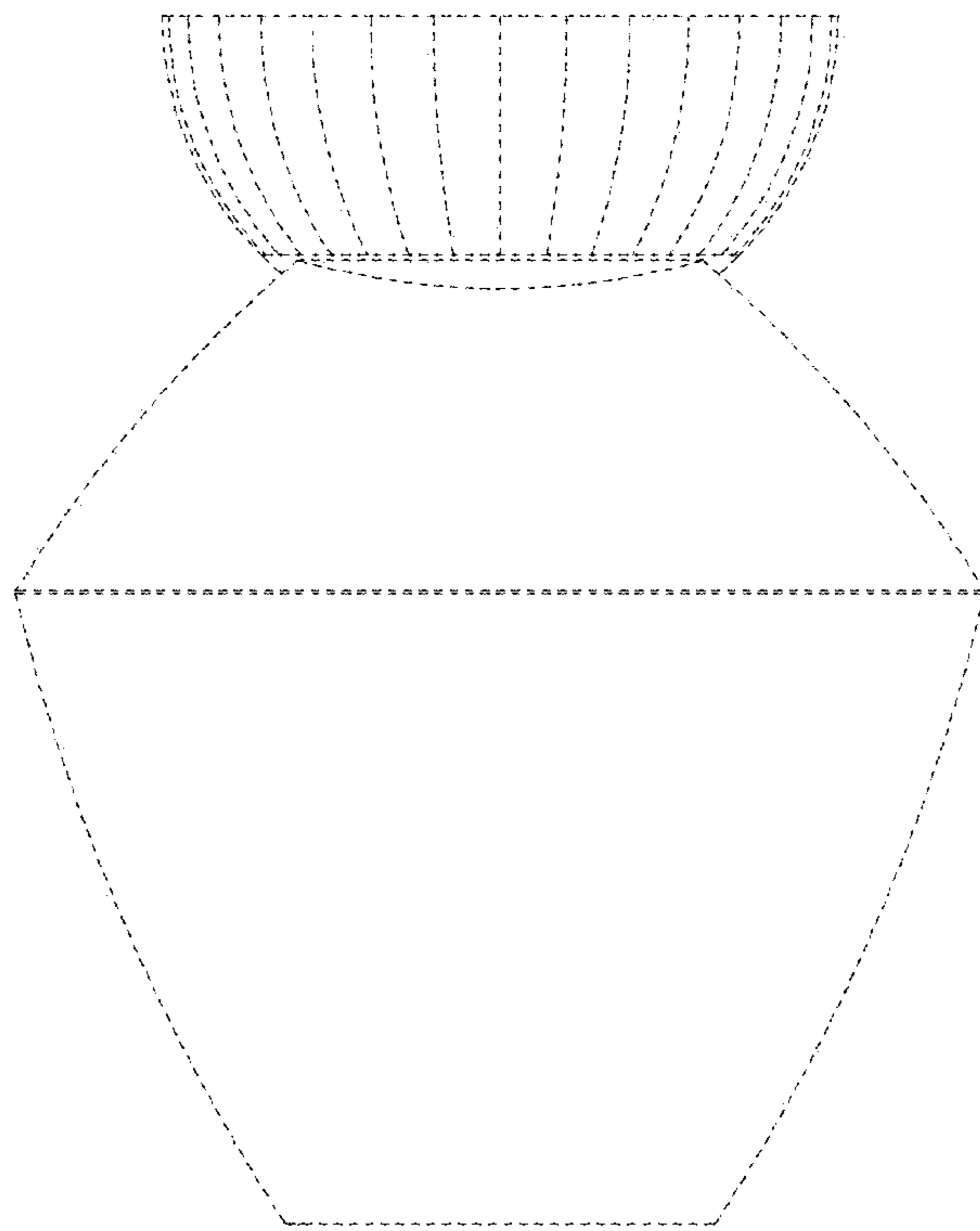


Fig. 11.

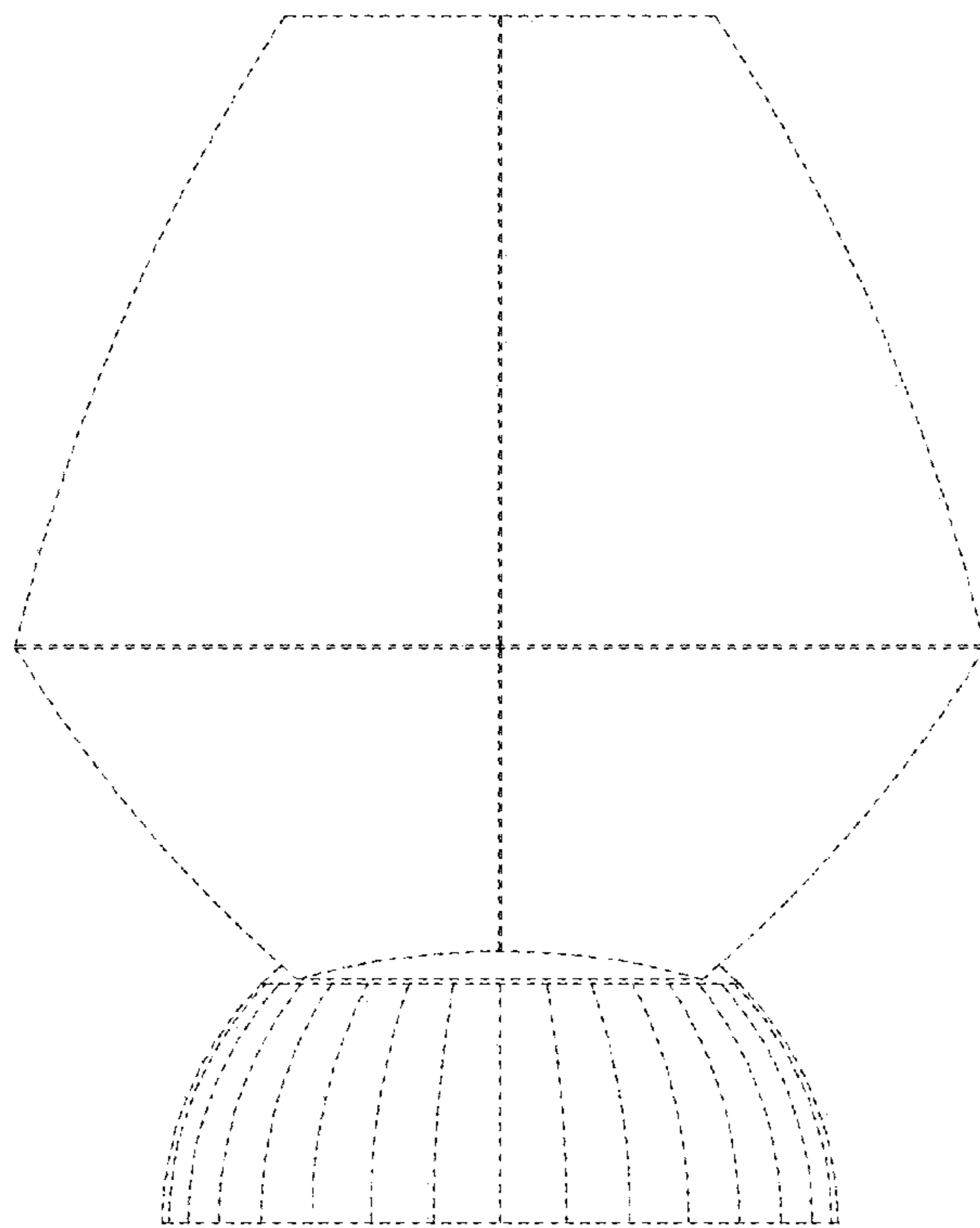


Fig. 12.

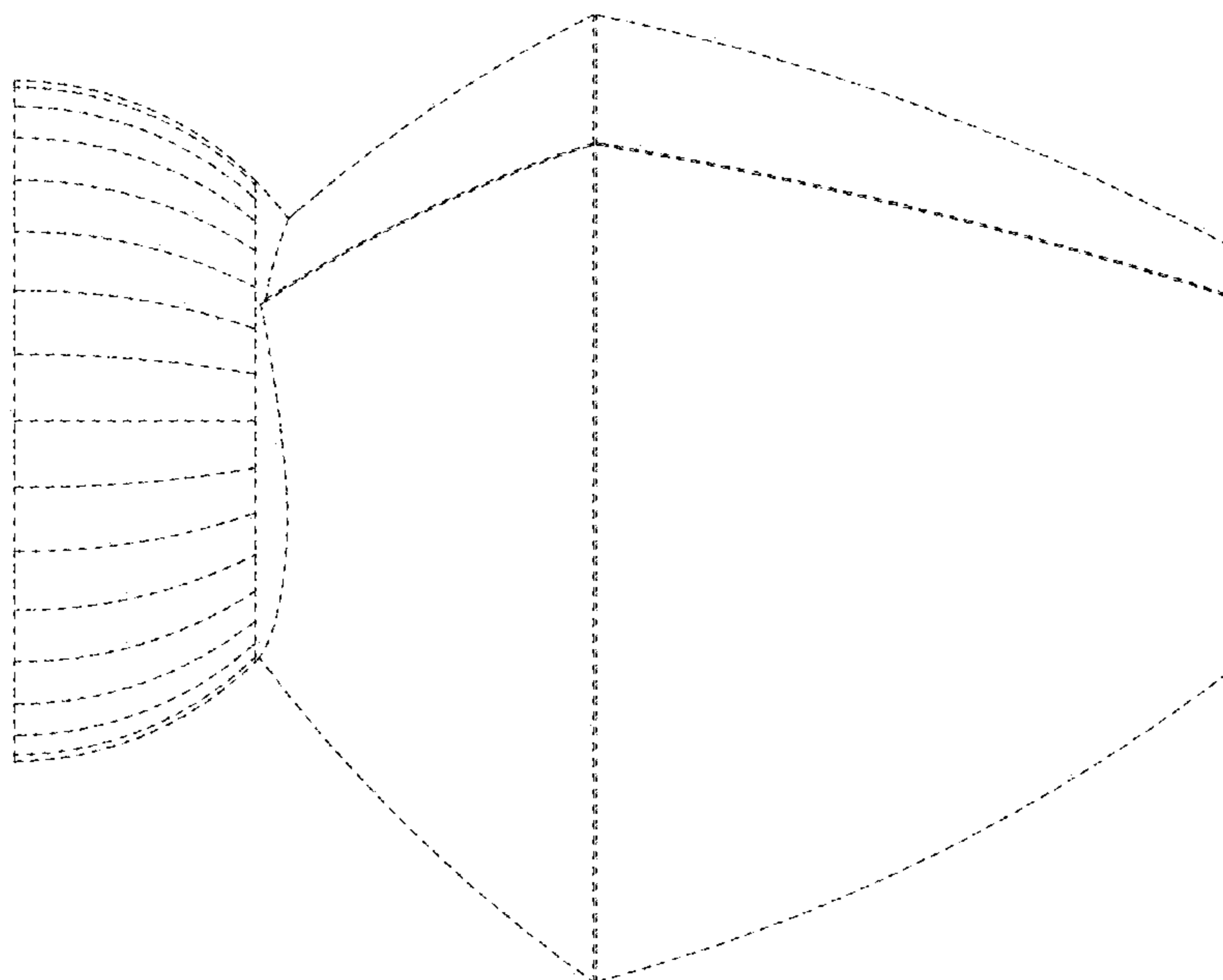


Fig. 13.

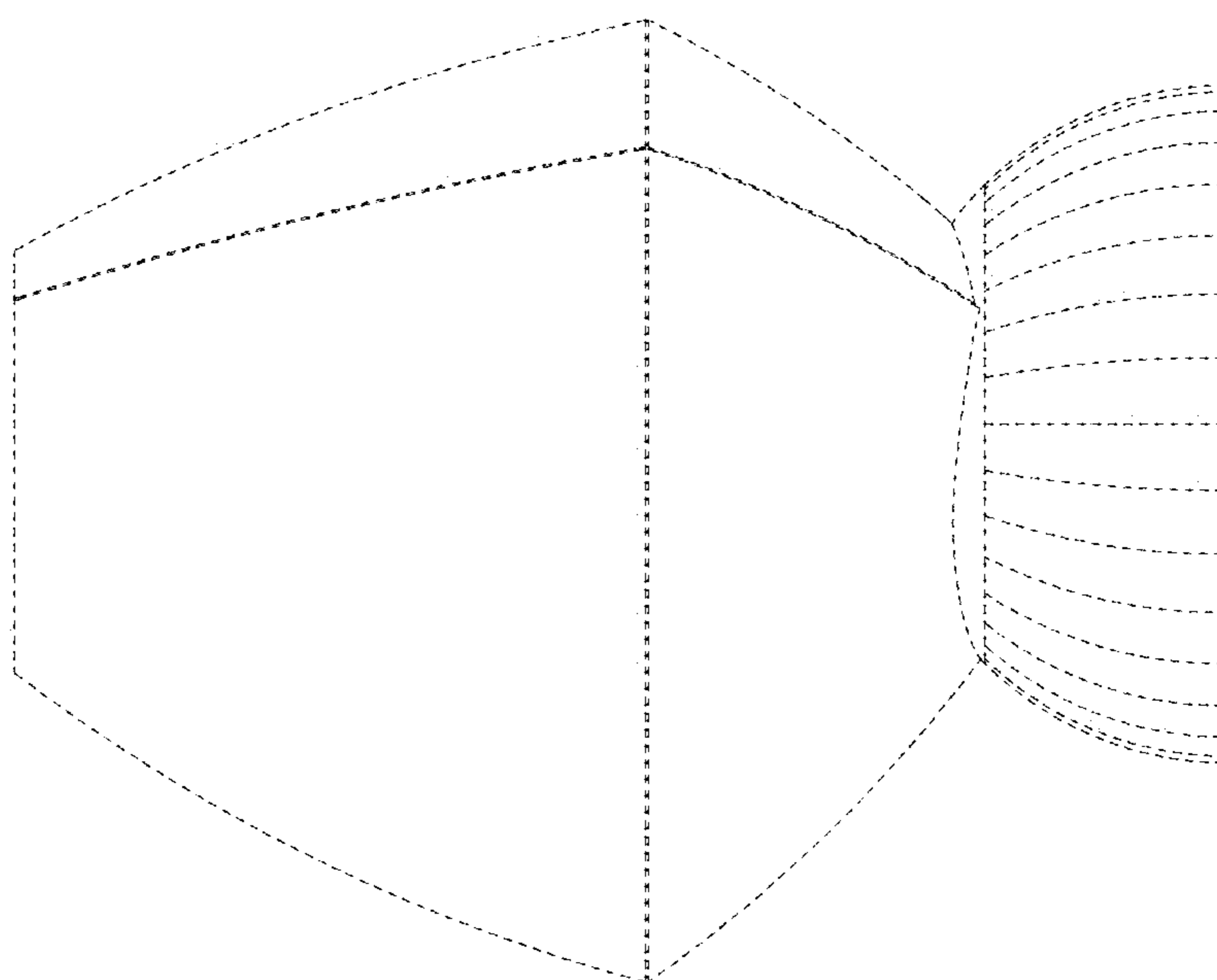


Fig. 14.