



US00D973116S

(12) **United States Design Patent**
Rice et al.

(10) **Patent No.:** **US D973,116 S**

(45) **Date of Patent:** **** Dec. 20, 2022**

(54) **MAINFRAME OF SUBSTRATE PROCESSING SYSTEM**

(71) Applicant: **Applied Materials, Inc.**, Santa Clara, CA (US)

(72) Inventors: **Michael R. Rice**, Pleasanton, CA (US); **Michael C. Kuchar**, Georgetown, TX (US); **Travis Morey**, Austin, TX (US); **Adam J. Wyatt**, Round Rock, TX (US); **Ofer Amir**, Half Moon Bay, CA (US)

(73) Assignee: **Applied Materials, Inc.**, Santa Clara, CA (US)

(**) Term: **15 Years**

(21) Appl. No.: **29/758,664**

(22) Filed: **Nov. 17, 2020**

(51) **LOC (13) Cl.** **15-09**

(52) **U.S. Cl.**
USPC **D15/141; D15/138**

(58) **Field of Classification Search**
USPC D13/118, 158, 162, 184; D15/141, 143, D15/148, 149, 199
CPC H01L 21/61709; H01L 21/68707
See application file for complete search history.

(56) **References Cited**

U.S. PATENT DOCUMENTS

1,253,067	A *	1/1918	McGahan	B65D 9/32
					217/65
D268,375	S *	3/1983	Dereks	D99/1
5,171,079	A *	12/1992	Bayerle	A62C 13/78
					312/409
D404,884	S *	1/1999	Salatin	D99/8
D446,826	S *	8/2001	Dunn	D21/499
D490,616	S *	6/2004	Ljahnicky	D6/329
D527,751	S *	9/2006	Kondoh	D15/144.1

D556,157	S *	11/2007	Kondoh	D13/182
D616,045	S *	5/2010	Tervo	D21/501
D677,723	S *	3/2013	Buel	D18/59
D681,548	S *	5/2013	Zhang	D13/102
D745,903	S *	12/2015	Armani	D6/675
D760,306	S *	6/2016	Wolf	D15/135
D857,015	S *	8/2019	O'Driscoll	D14/371
D887,889	S *	6/2020	Khwaja	D11/155
10,994,480	B2 *	5/2021	Wolf	B29C 48/0255
2004/0069225	A1 *	4/2004	Fairbairn	C23C 16/54
					156/345.31

(Continued)

FOREIGN PATENT DOCUMENTS

EP		1107288	A2 *	6/2001	H01L 21/00
WO		WO-2009154022	A1 *	12/2009	B28D 1/226

Primary Examiner — Patricia A Palasik

(74) *Attorney, Agent, or Firm* — Lowenstein Sandler LLP

(57) **CLAIM**

The ornamental design for a mainframe for a substrate processing system, as shown and described.

DESCRIPTION

FIG. 1 is a top perspective view of a mainframe for a substrate processing system of the present design.

FIG. 2 is a side view thereof.

FIG. 3 is a side view thereof.

FIG. 4 is a front view thereof.

FIG. 5 is a rear view thereof.

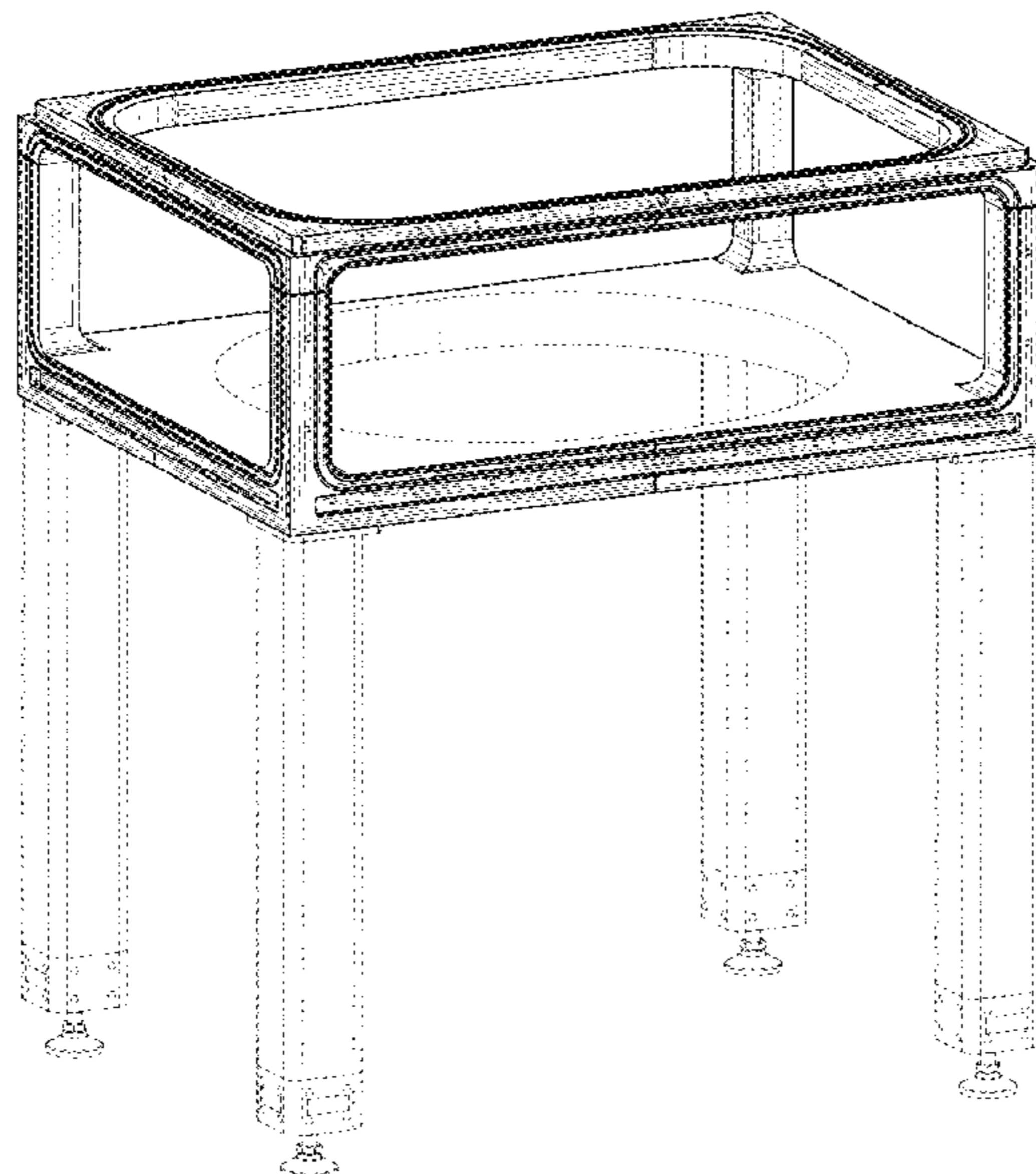
FIG. 6 is a top view thereof.

FIG. 7 is a bottom view thereof; and,

FIG. 8 is a top perspective view thereof, showing unclaimed components attached thereto.

The broken lines shown in the figures are directed to unclaimed portions of the mainframe and/or unclaimed components attached to the mainframe that are for illustrative purposes only and form no part of the claimed design.

1 Claim, 7 Drawing Sheets



(56)

References Cited

U.S. PATENT DOCUMENTS

2004/0232145 A1* 11/2004 Antal, Sr. B65D 81/056
220/4.33
2008/0074013 A1* 3/2008 Ahlgrim F16B 12/46
312/257.1
2009/0186557 A1* 7/2009 Torii B24B 37/345
451/287
2010/0224446 A1* 9/2010 Bulley B25H 1/06
264/319
2015/0083330 A1* 3/2015 Madiwal C23C 16/4401
156/345.31
2015/0090341 A1* 4/2015 Ng H01L 21/00
137/583
2016/0314997 A1* 10/2016 Reuter H01L 21/67201
2018/0001440 A1* 1/2018 Aono H01L 21/67173
2019/0164796 A1* 5/2019 Yamaguchi H01L 21/67742
2019/0226198 A1* 7/2019 Morgan E04B 1/3483

* cited by examiner

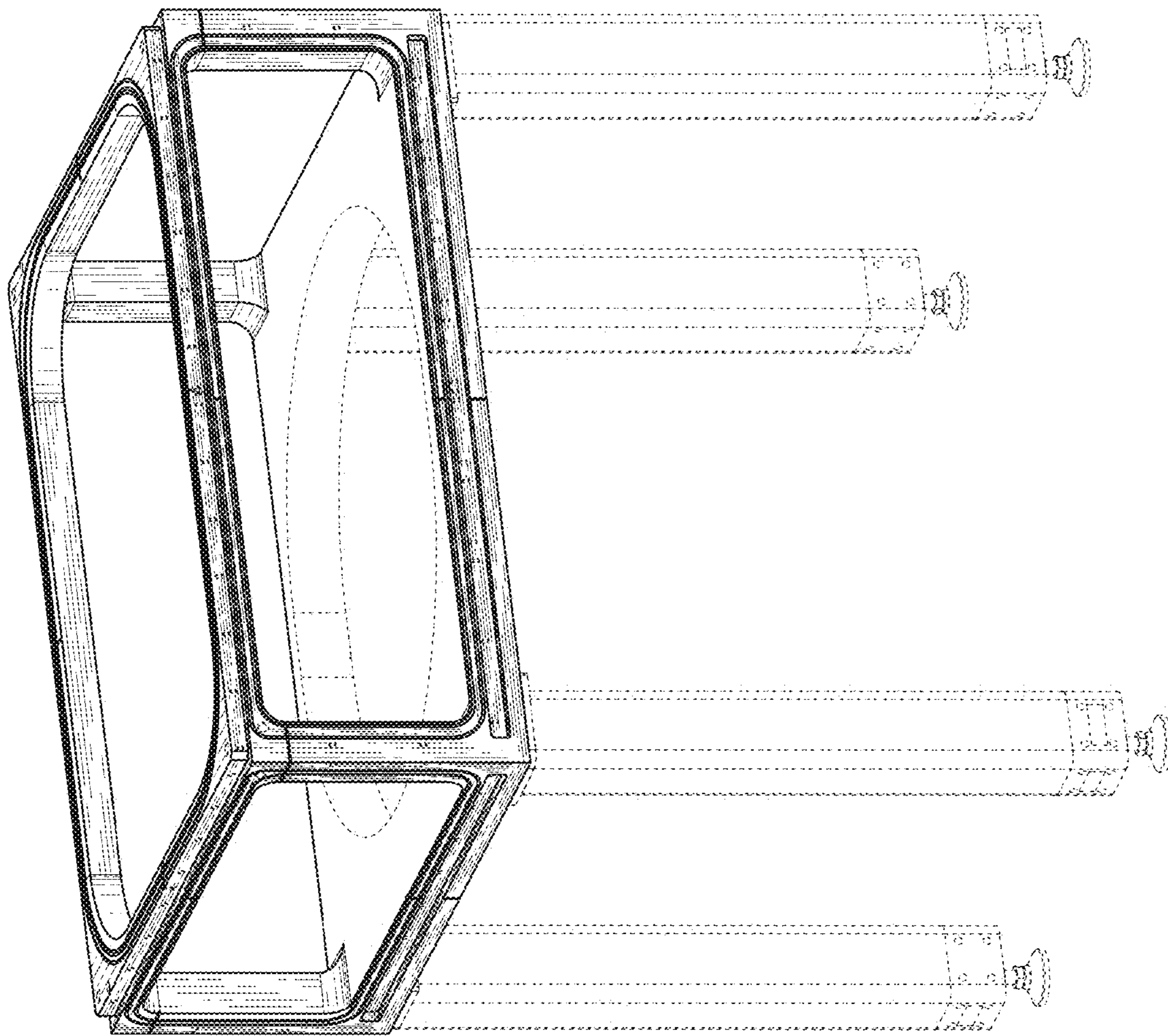


FIG. 1

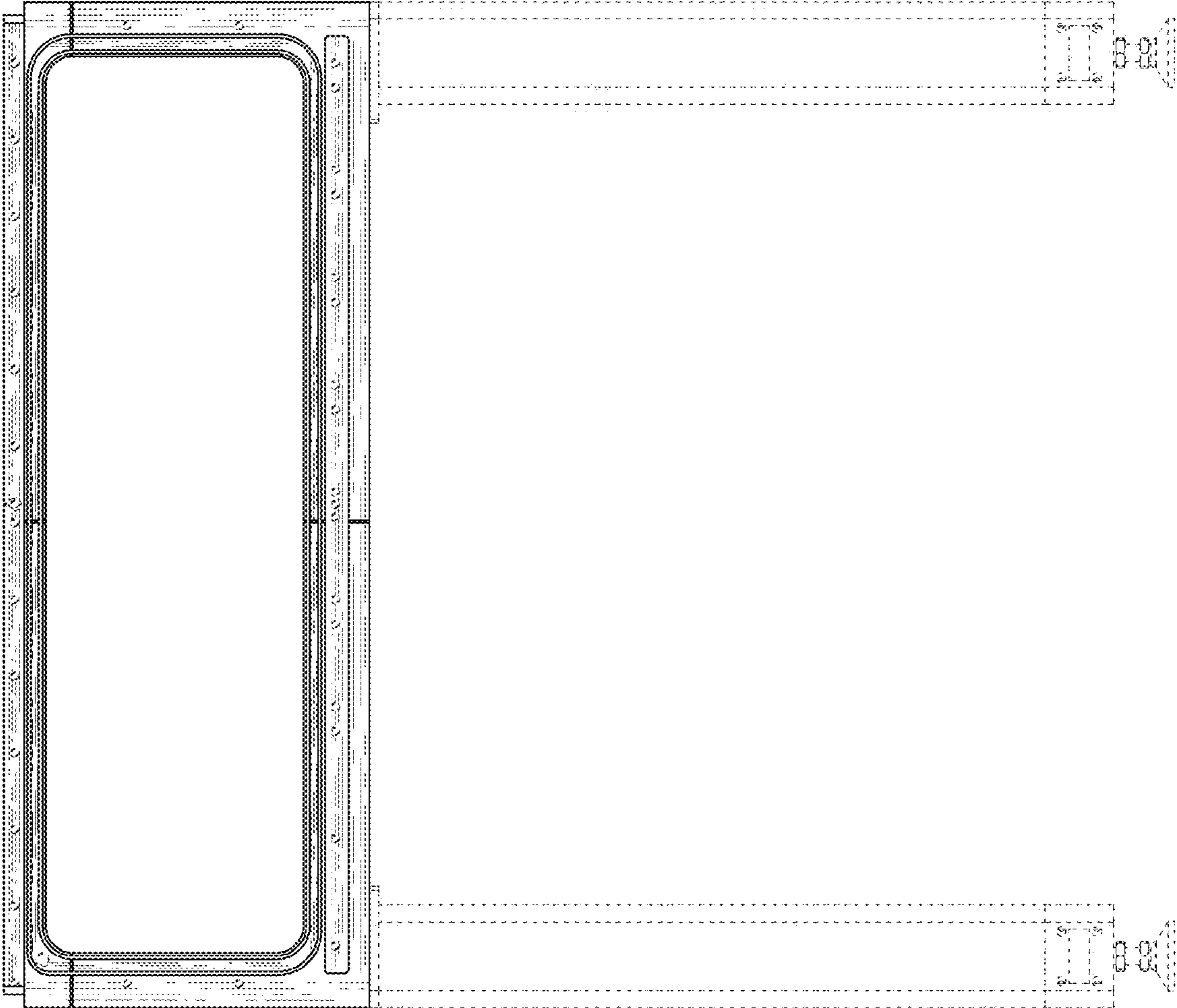


FIG. 2

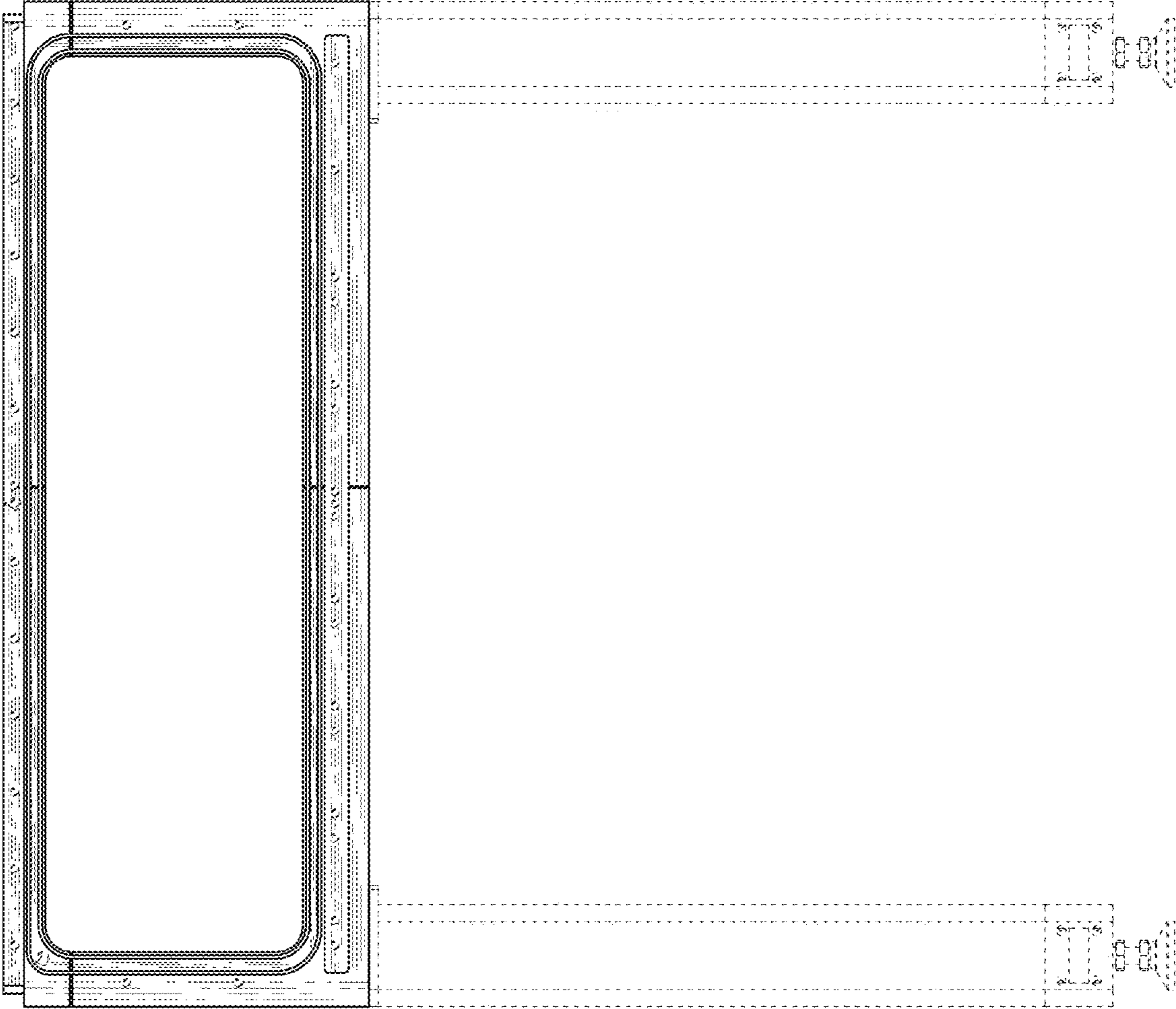


FIG. 3

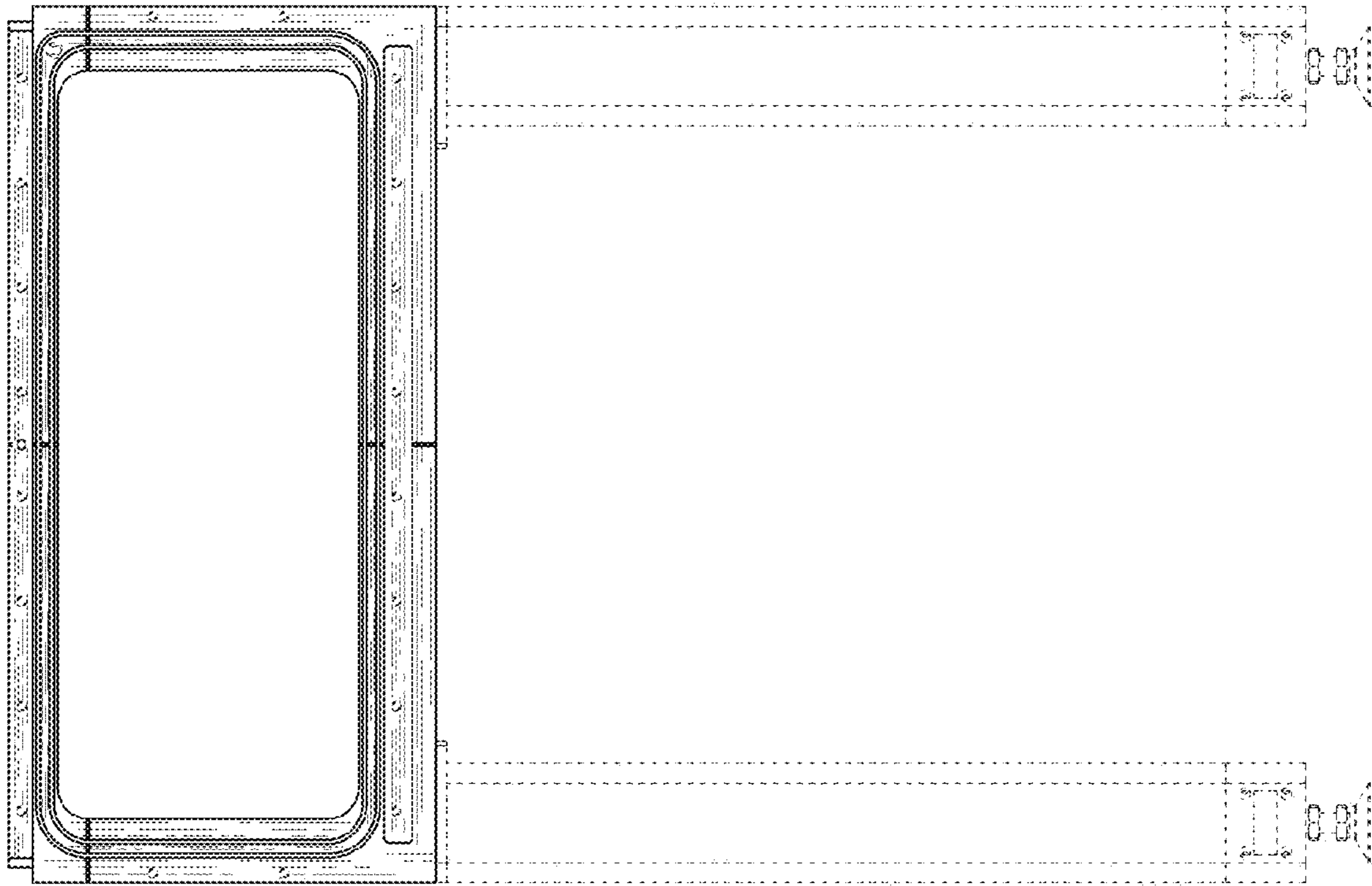


FIG. 5

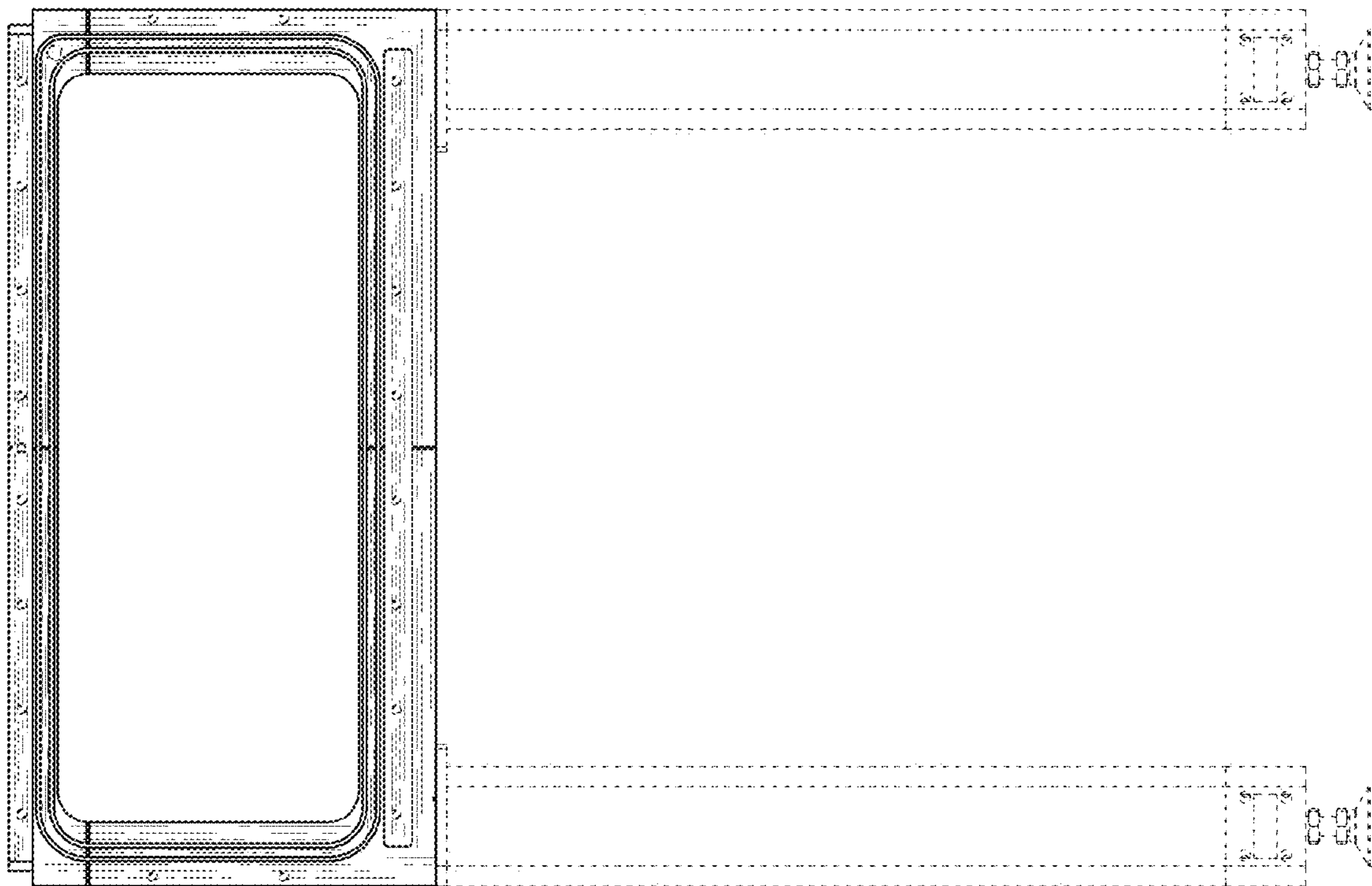


FIG. 4

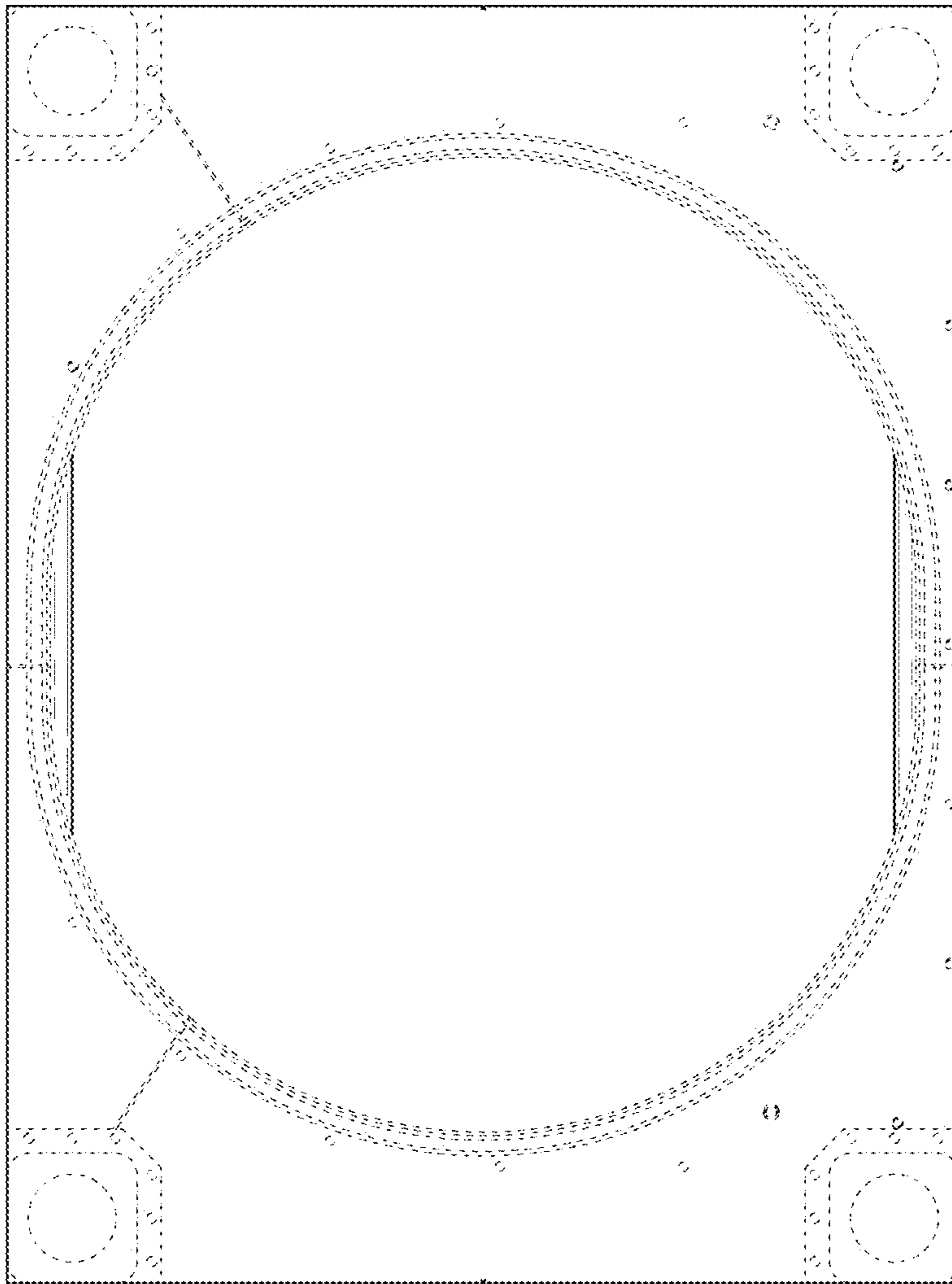


FIG. 6

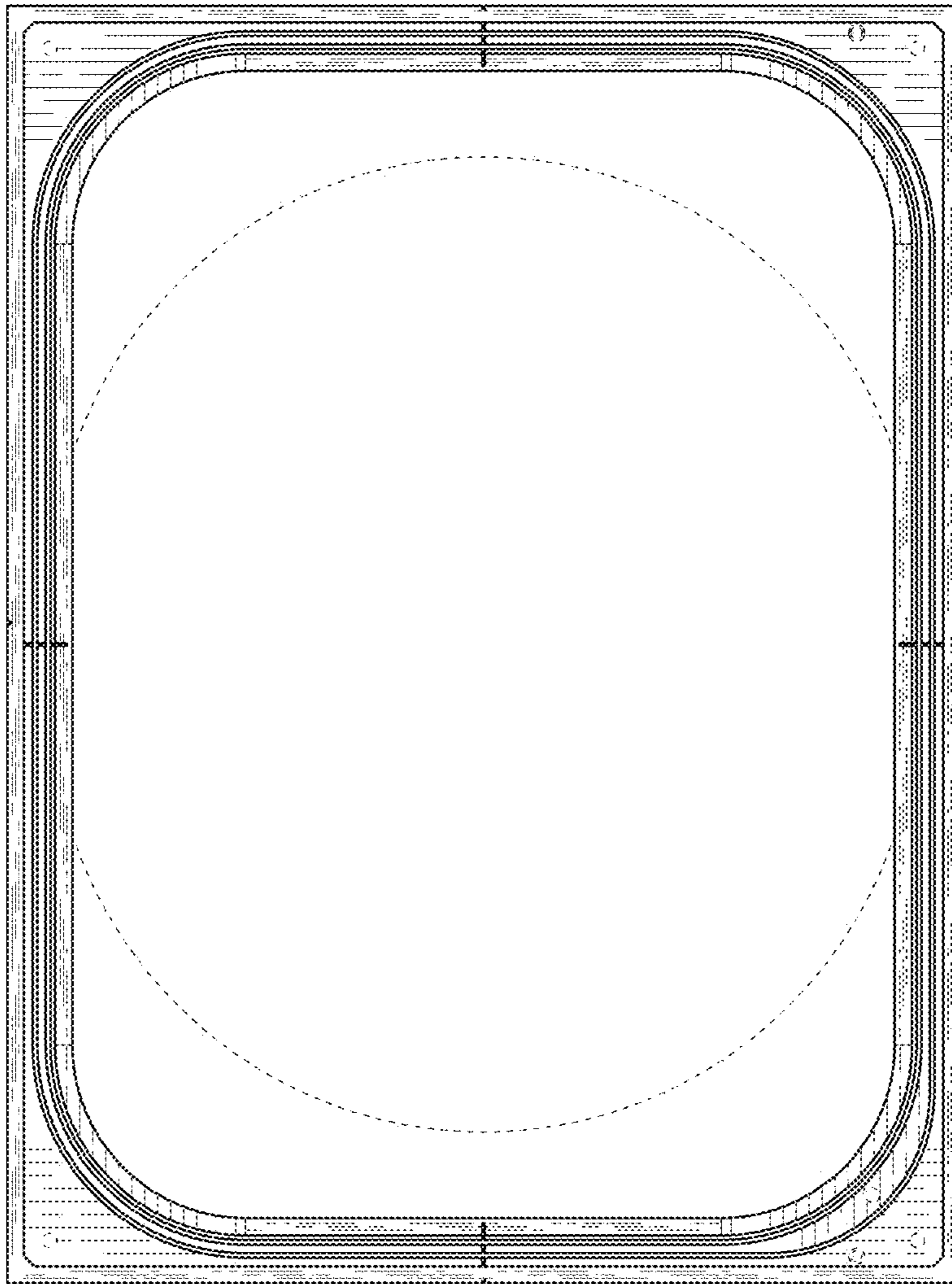


FIG. 7

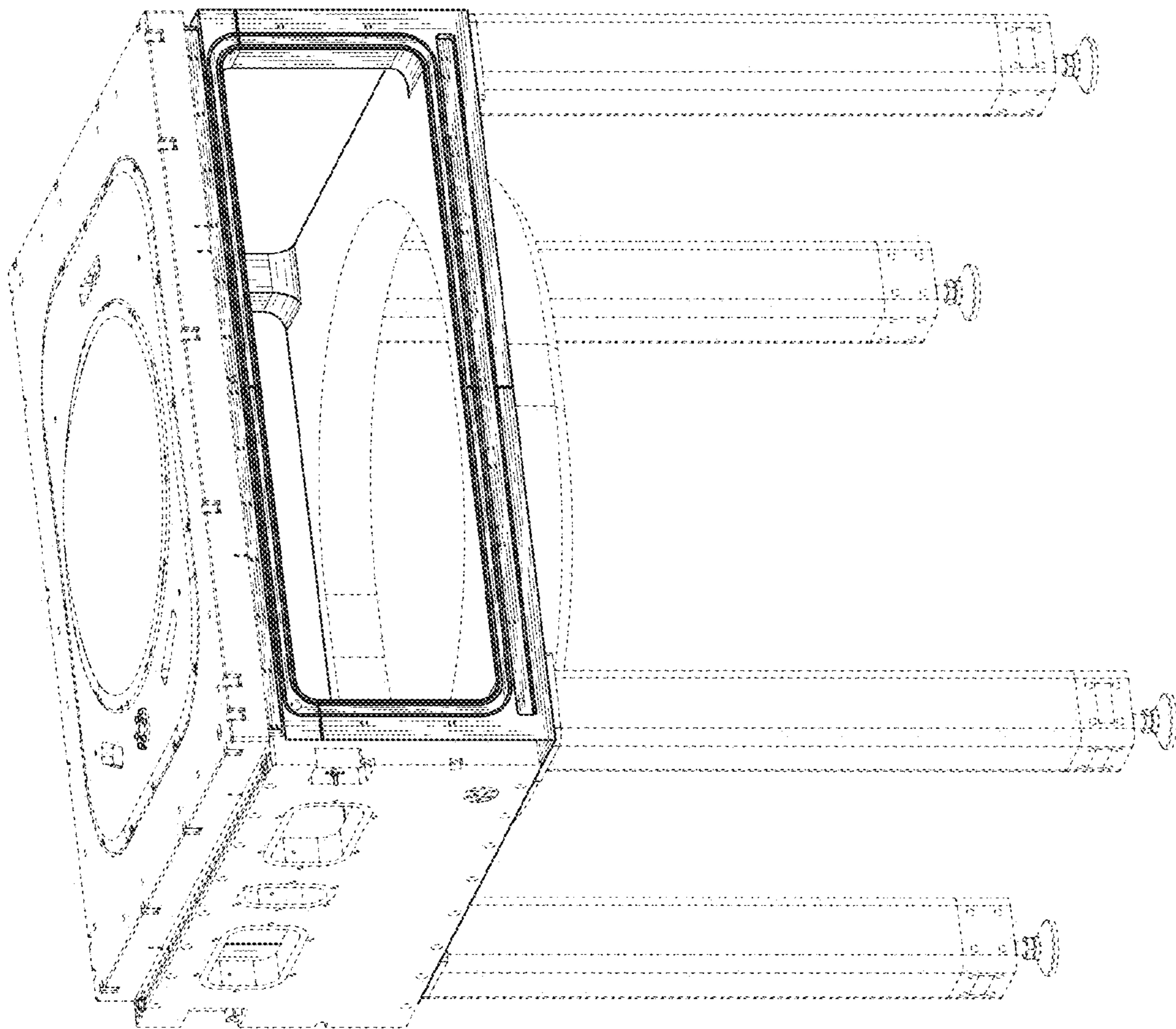


FIG. 8