



US00D973114S

(12) **United States Design Patent**  
**Guth**

(10) **Patent No.:** **US D973,114 S**

(45) **Date of Patent:** **\*\* Dec. 20, 2022**

(54) **BENCHTOP SAW WITH BLADE GUARD AND SLIDEABLE FENCE**

(71) Applicant: **JPL GLOBAL, LLC**, Perris, CA (US)

(72) Inventor: **Paul W. Guth**, Perris, CA (US)

(73) Assignee: **JPL GLOBAL, LLC**, Perris, CA (US)

(\*\*) Term: **15 Years**

(21) Appl. No.: **29/752,105**

(22) Filed: **Sep. 25, 2020**

(51) **LOC (13) Cl.** ..... **15-09**

(52) **U.S. Cl.**  
USPC ..... **D15/133**

(58) **Field of Classification Search**  
USPC ..... D8/61, 64-63; D15/133  
CPC ..... B27G 19/02; B27G 19/04; B27G 19/08;  
B27G 19/00; B27G 21/00  
See application file for complete search history.

(56) **References Cited**

**U.S. PATENT DOCUMENTS**

5,297,463 A	3/1994	O'Banion et al.	
D357,140 S *	4/1995	Hollinger	D6/684
D425,529 S *	5/2000	Svetlik	D15/133
D486,504 S *	2/2004	Huang	D15/133
D512,447 S *	12/2005	Scholz	D15/133
D514,604 S *	2/2006	Welsh	D15/133

(Continued)

**FOREIGN PATENT DOCUMENTS**

DE 1025440 A1 2/1991

**OTHER PUBLICATIONS**

International Search Report and Written Opinion for International Application No. PCT/US2021/015591, dated Apr. 1, 2021, 10 pages.

*Primary Examiner* — Michael C Stout

*Assistant Examiner* — Fritzgerald L Butac

(74) *Attorney, Agent, or Firm* — Loza & Loza, LLP; Heidi Eisenhut

(57) **CLAIM**

The ornamental design for a benchtop saw with blade guard and slideable fence, as shown and described.

**DESCRIPTION**

FIG. 1 is a front top right perspective of a benchtop saw with blade guard and slideable fence of the present invention with the slideable fence perpendicular to the blade guard;

FIG. 2 is a front elevation of the benchtop saw with blade guard and slideable fence of FIG. 1;

FIG. 3 is a rear elevation of the benchtop saw with blade guard and slideable fence of FIG. 1;

FIG. 4 is a right side elevation of the benchtop saw with blade guard and slideable fence of FIG. 1;

FIG. 5 is a left side elevation of the benchtop saw with blade guard and slideable fence of FIG. 1;

FIG. 6 is a top plan view of the benchtop saw with blade guard and slideable fence of FIG. 1

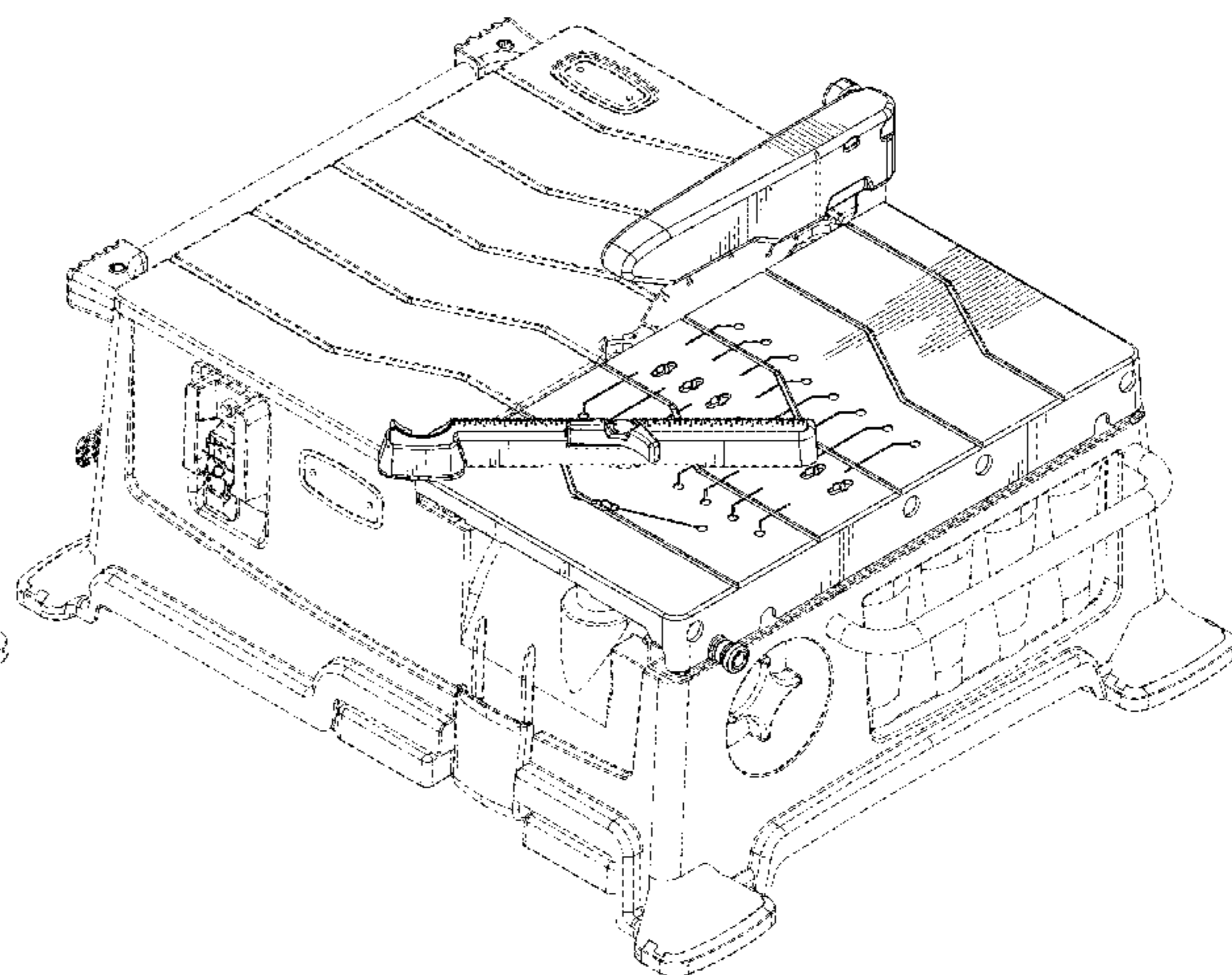
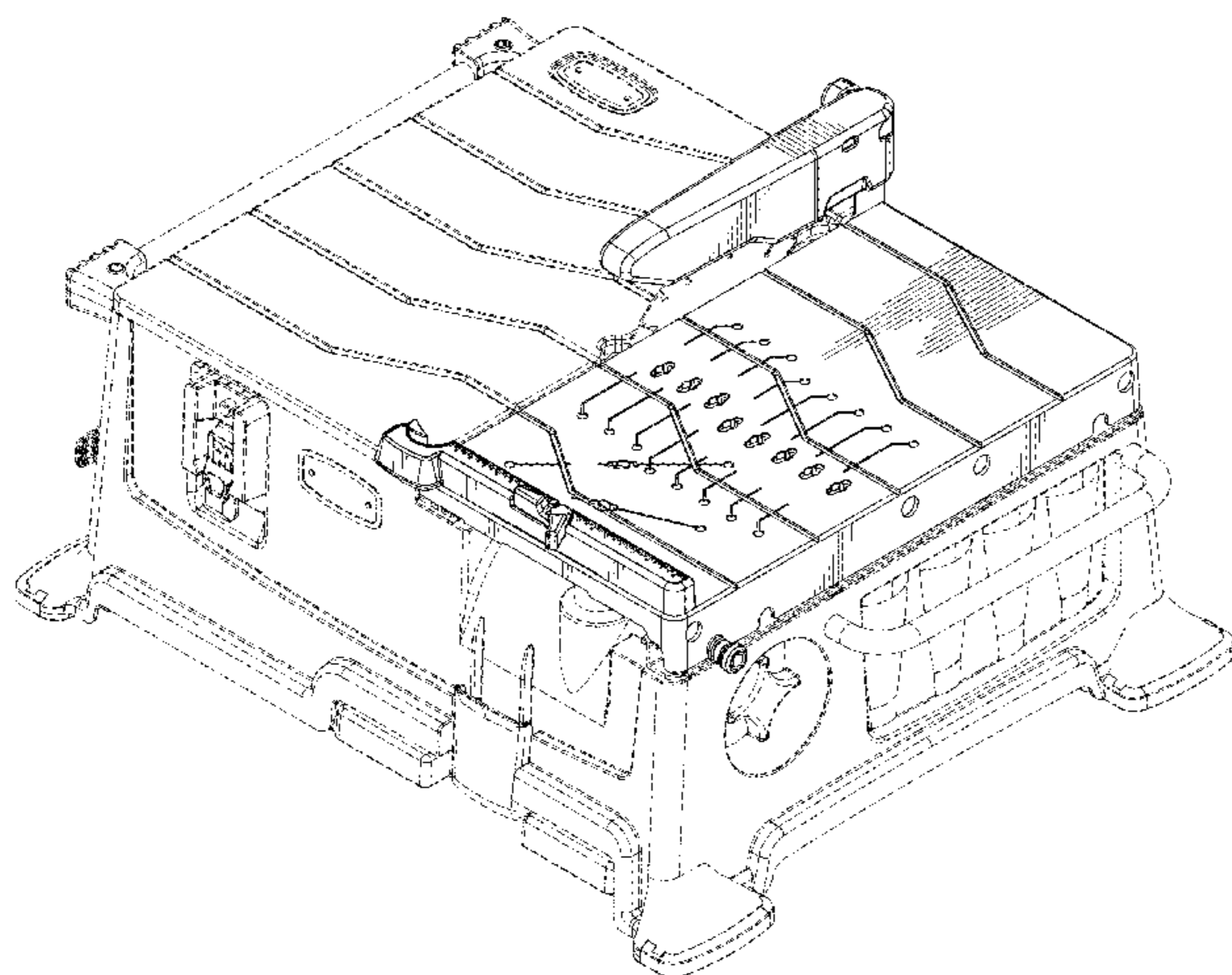
FIG. 7 is a bottom plan view of the benchtop saw with blade guard and slideable fence of FIG. 1.

FIG. 8 is a front top right perspective of the benchtop saw with blade guard and slideable fence of FIG. 1 with the slideable fence in an angular orientation relative to the blade guard; and,

FIG. 9 is a front top right perspective of the benchtop saw with blade guard and slideable fence of FIG. 1 with the slideable fence parallel to the blade guard.

The dash-dash-dash-dash type broken lines shown in the drawings are included for the purpose of illustrating environmental structure and form no part of the claimed design. The broken lines show portions of a benchtop saw with blade guard and slidable fence which form no part of the claimed design.

**1 Claim, 9 Drawing Sheets**



(56)

**References Cited**

U.S. PATENT DOCUMENTS

D537,853	S *	3/2007	Liu .....	D15/133
D545,330	S *	6/2007	DiPasquale .....	D15/133
D569,402	S *	5/2008	DiPasquale .....	D15/133
D577,374	S *	9/2008	Leasure .....	D15/133
D586,371	S *	2/2009	Leasure .....	D15/133
D587,289	S *	2/2009	Leasure .....	D15/133
D594,484	S *	6/2009	Leasure .....	D15/133
D595,324	S *	6/2009	Wu .....	D15/141
D626,157	S *	10/2010	Jebb .....	D15/133
D626,158	S *	10/2010	Jebb .....	D15/133
D663,328	S *	7/2012	Taylor .....	D15/133
D715,337	S *	10/2014	Scherl .....	D15/133
D715,338	S *	10/2014	Elder .....	D15/133
9,486,935	B2	11/2016	Niichel	
D800,803	S *	10/2017	Laliberte .....	D15/133
D870,167	S *	12/2019	Firth .....	D15/133
2009/0095141	A1	4/2009	Billings et al.	
2019/0168346	A1	6/2019	Chang et al.	

\* cited by examiner

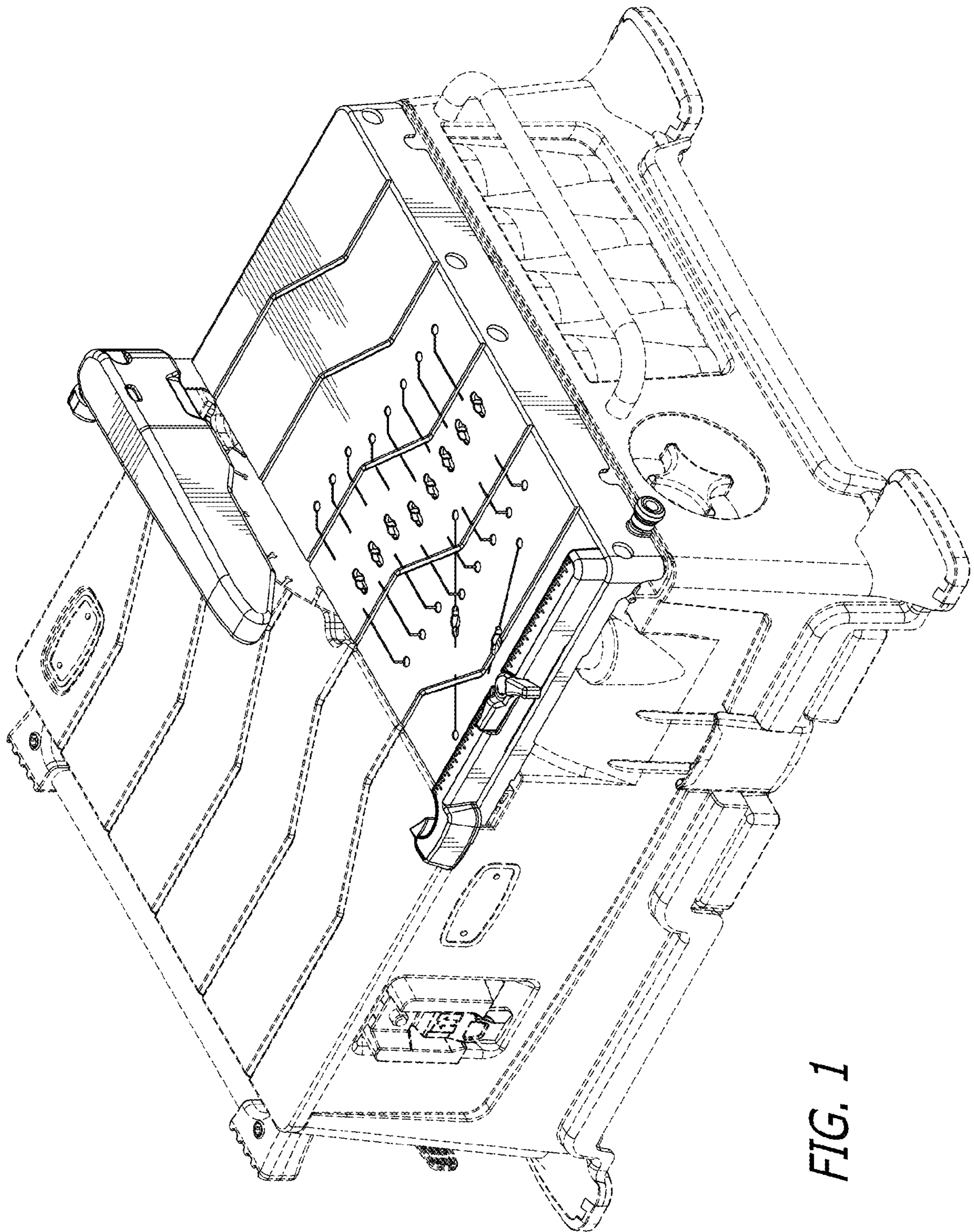


FIG. 1

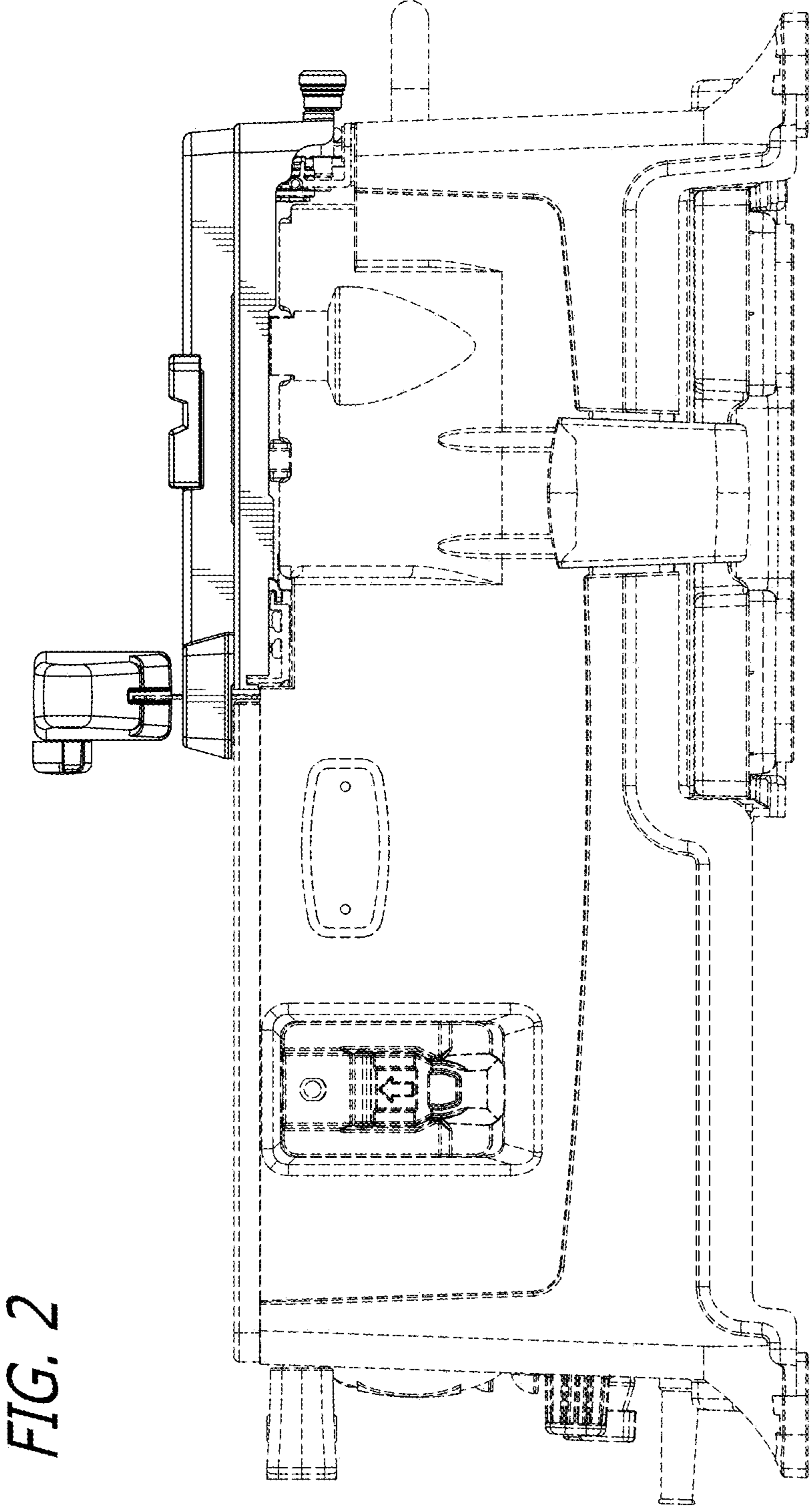


FIG. 2

FIG. 3

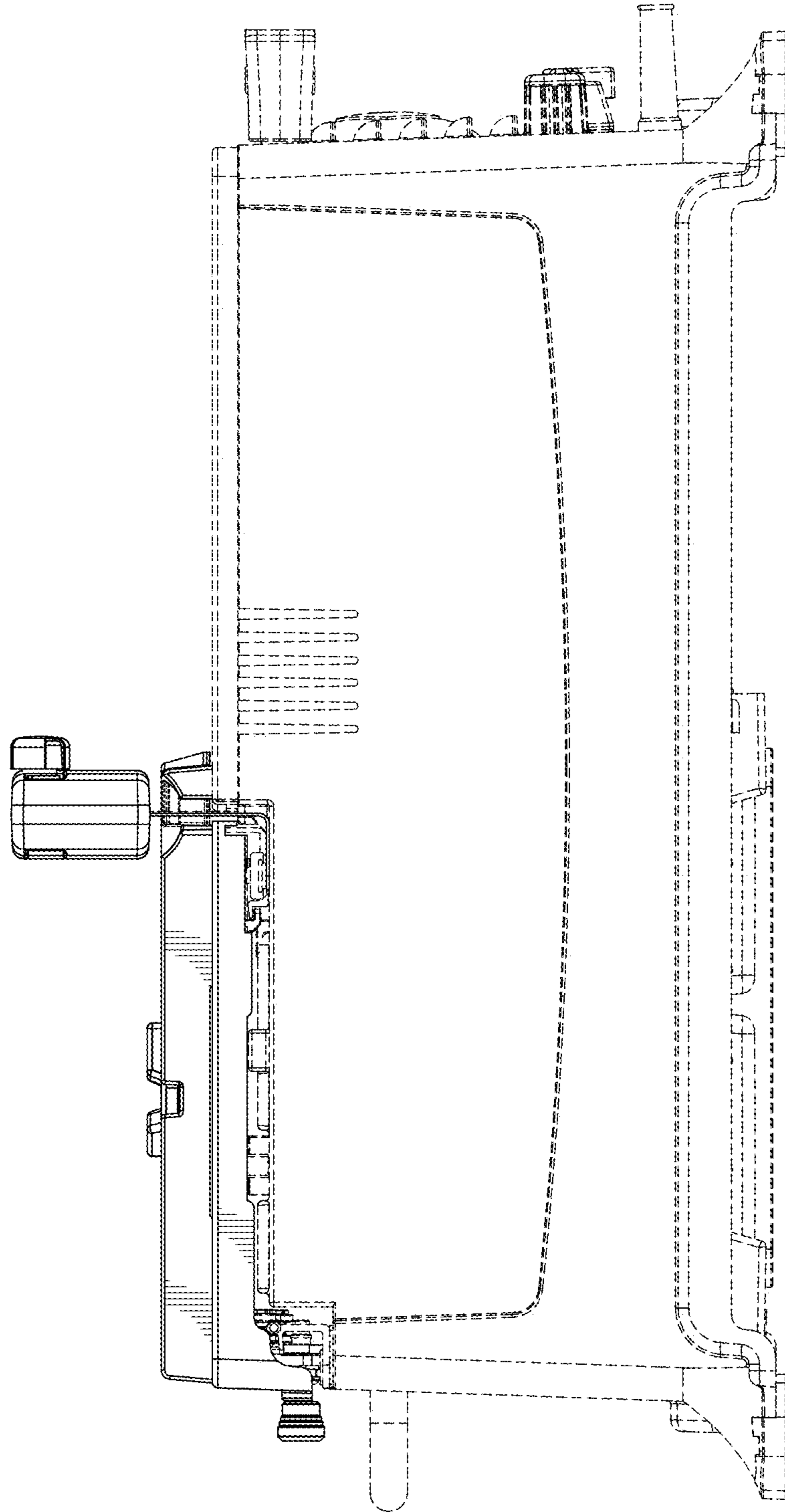


FIG. 4

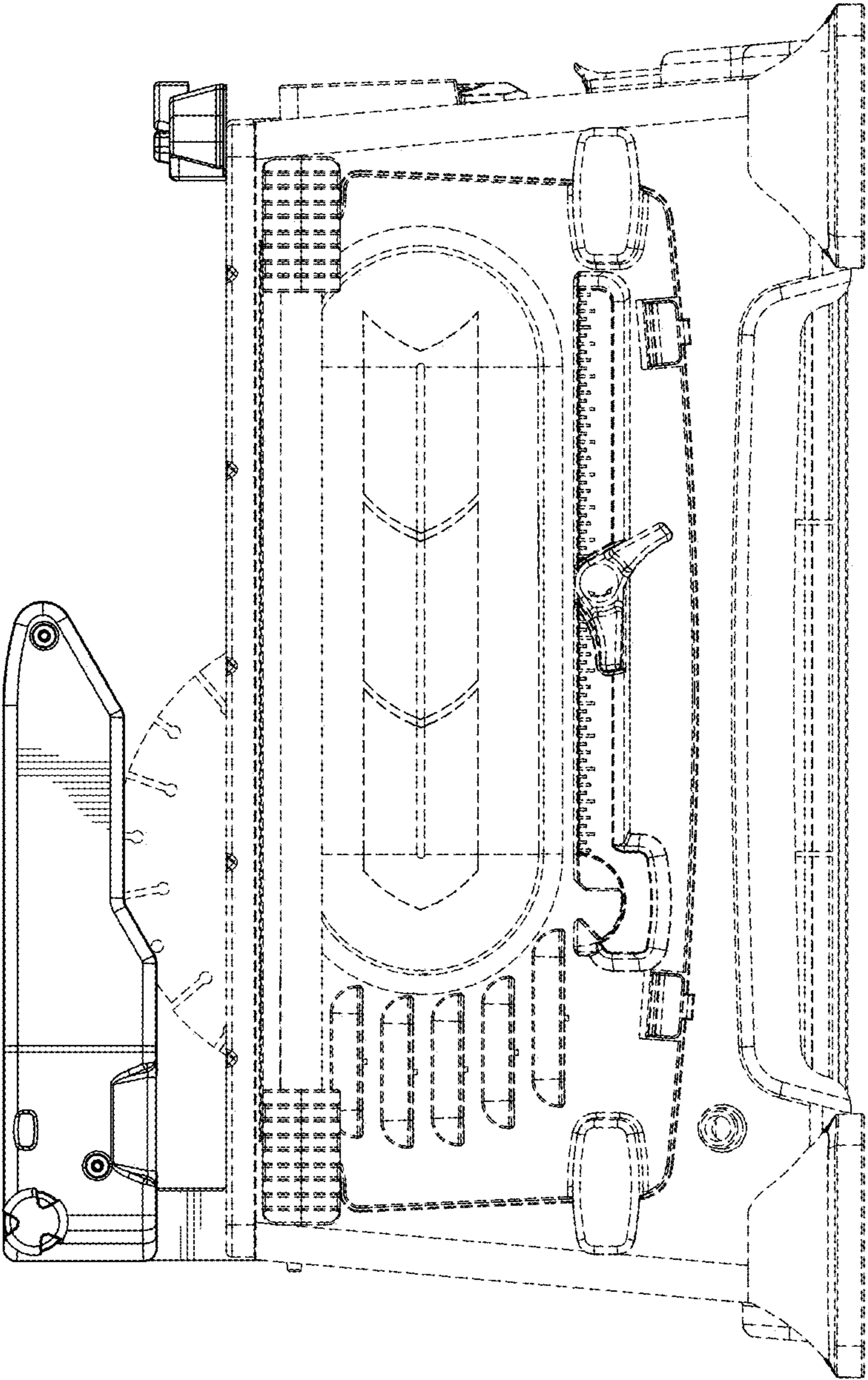


FIG. 5

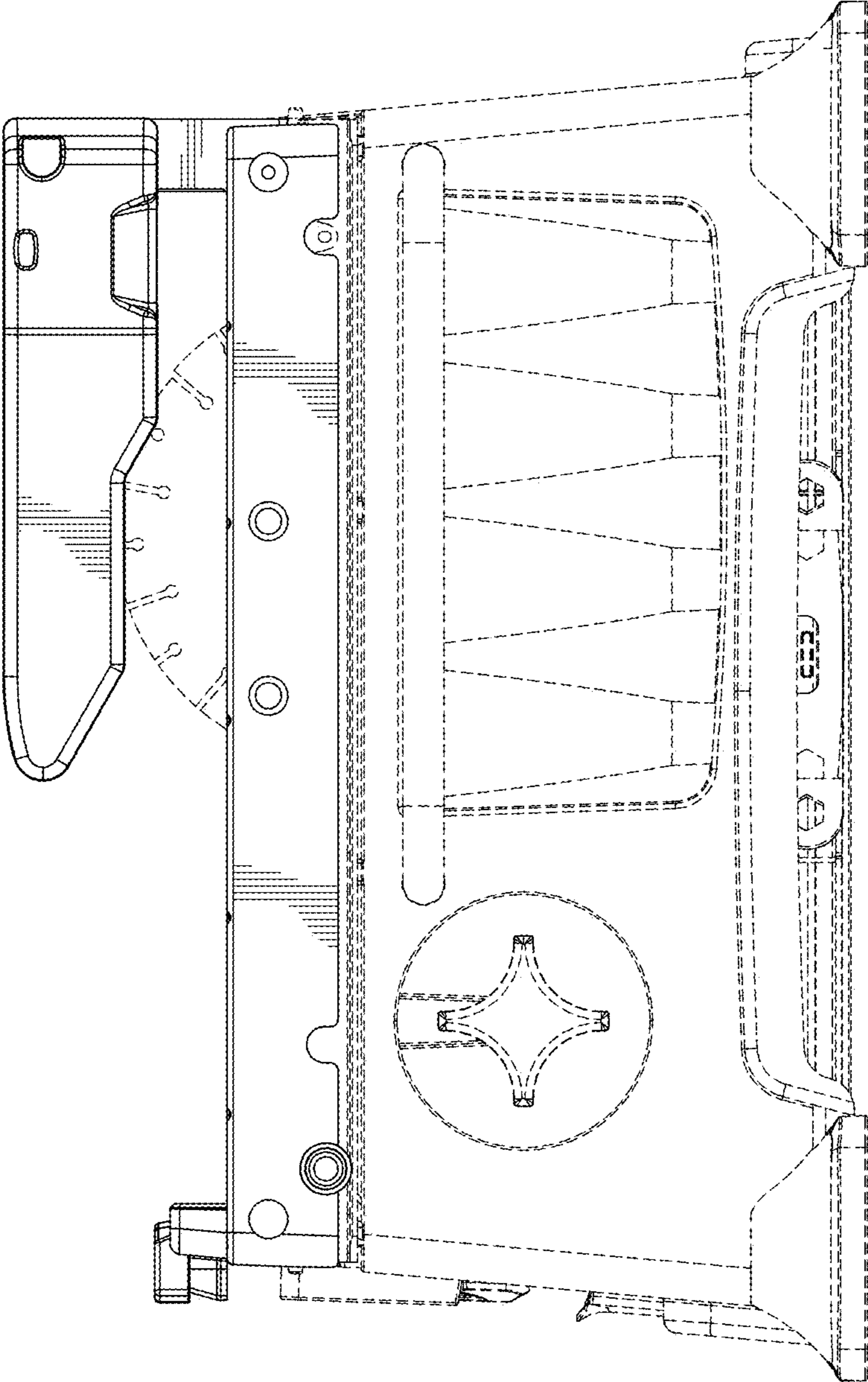


FIG. 6

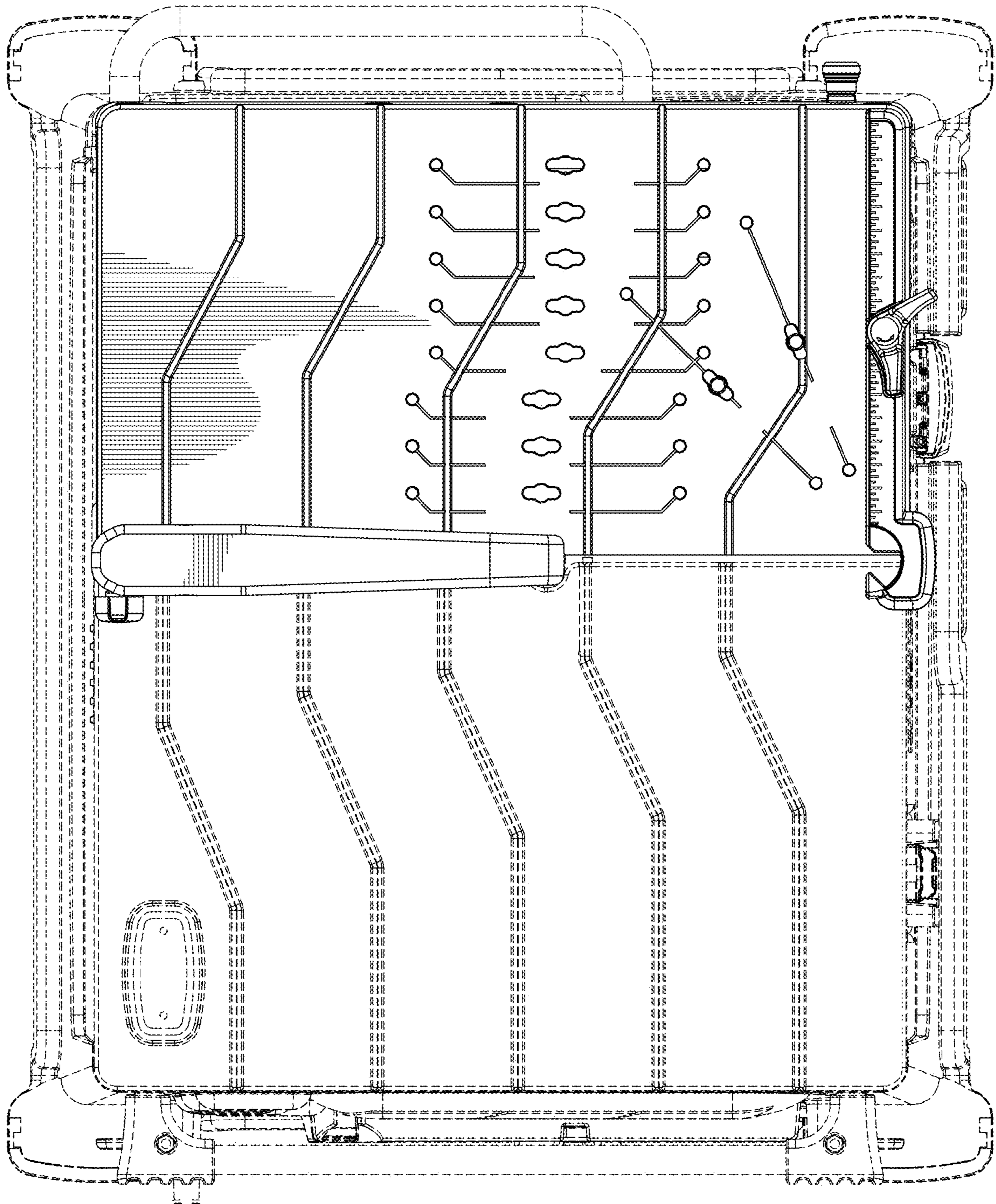
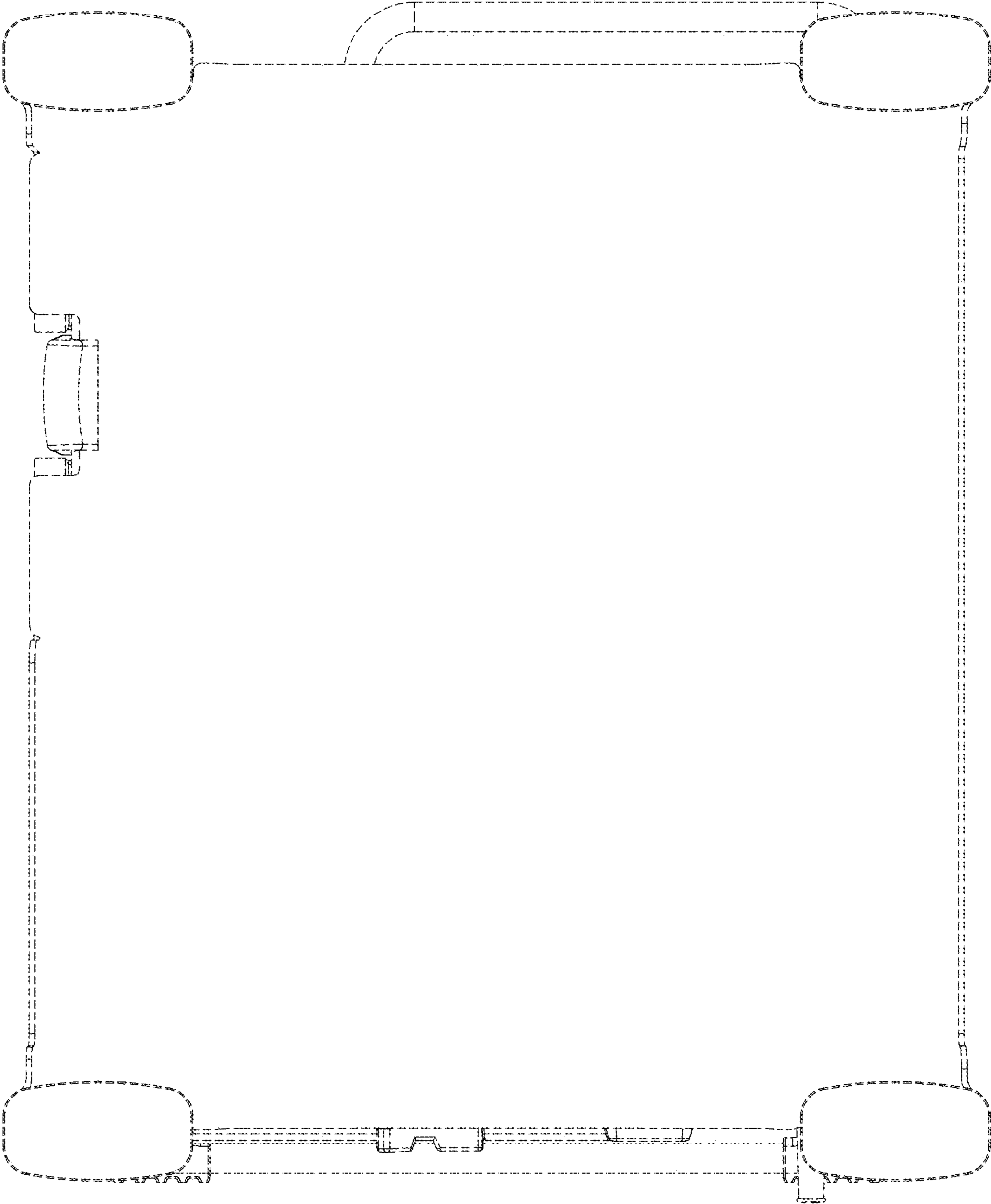




FIG. 7



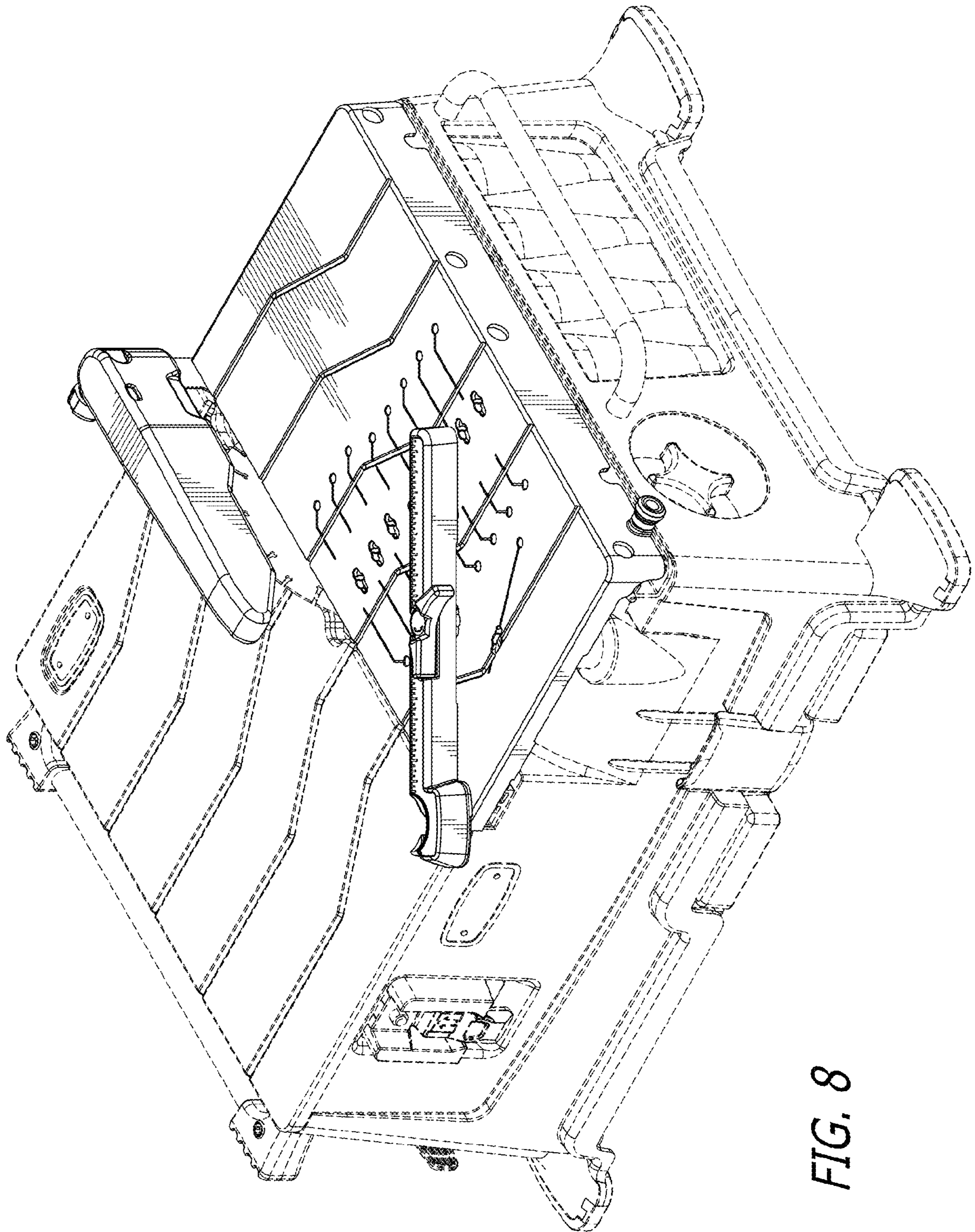


FIG. 8

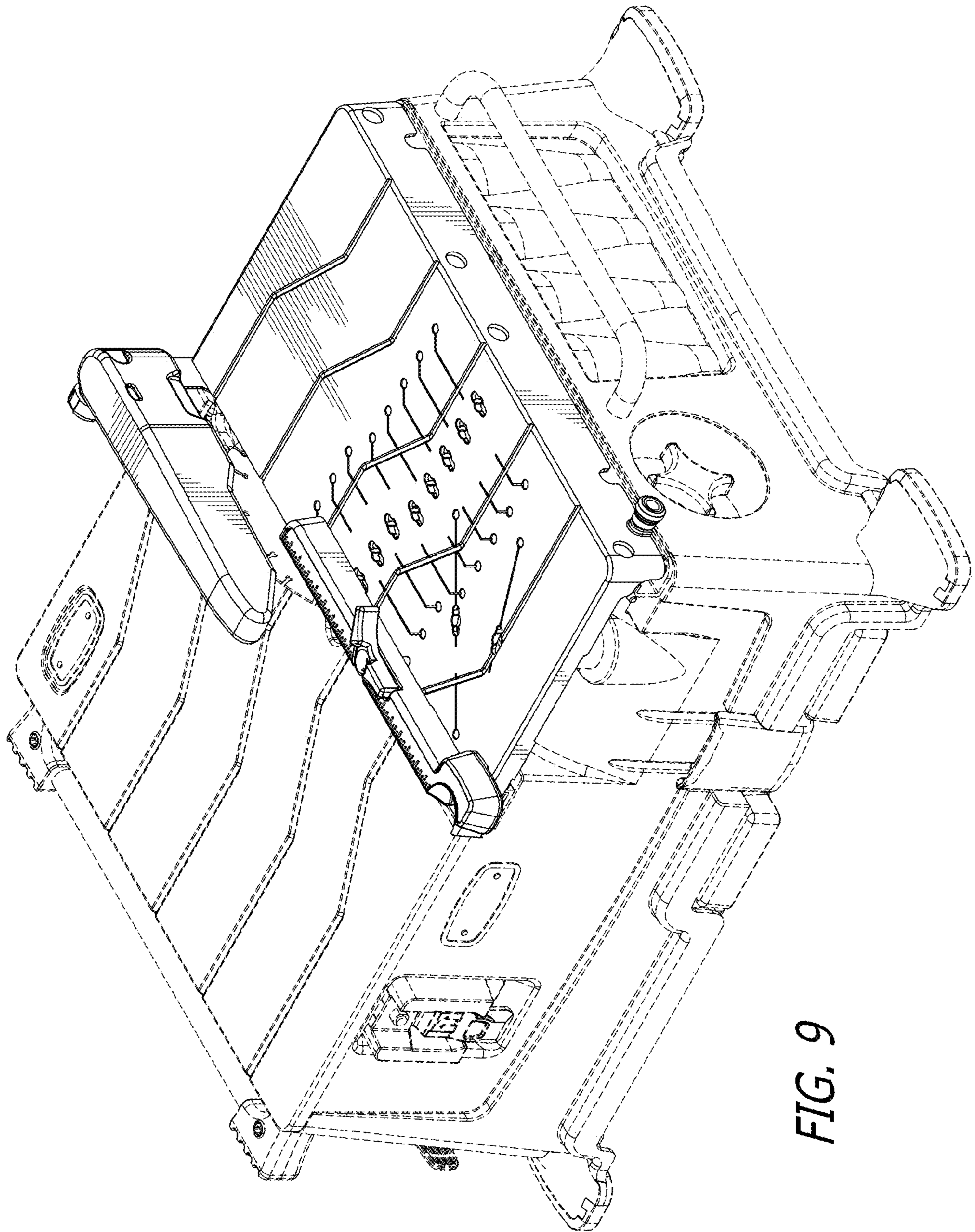


FIG. 9