



US00D973113S

(12) **United States Design Patent**
Landberg et al.

(10) **Patent No.:** **US D973,113 S**

(45) **Date of Patent:** **** Dec. 20, 2022**

(54) **GRINDING MACHINE**
(71) Applicant: **HUSQVARNA AB**, Huskvarna (SE)
(72) Inventors: **Gustav Landberg**, Trosa (SE);
Alexander Turesson, Enskede (SE)
(73) Assignee: **HUSQVARNA AB**, Huskvarna (SE)
(**) Term: **15 Years**

D321,420 S * 11/1991 Von Vett D32/19
D343,705 S * 1/1994 Gurstein D32/19
D343,932 S * 2/1994 Wulff D32/19
D345,035 S * 3/1994 Wulff D32/34
D375,591 S * 11/1996 Fryoux D32/15
D595,909 S * 7/2009 Barnes D32/16
D620,509 S * 7/2010 Hauenstein D15/124
D659,310 S * 5/2012 Dammkoehler D32/19

(Continued)

(21) Appl. No.: **29/691,097**
(22) Filed: **May 14, 2019**
(30) **Foreign Application Priority Data**

Nov. 20, 2018 (EM) 005829900-0001

(51) **LOC (13) Cl.** **15-09**
(52) **U.S. Cl.**
USPC **D15/124; D32/15**
(58) **Field of Classification Search**
USPC D15/122, 124; D8/61, 62, 90; D32/15,
D32/16, 19
CPC A47L 11/12; A47L 11/14; A47L 11/16;
B24B 55/10; B24B 55/102; B24B 55/052;
B24B 47/12; B24B 7/18; B24B 7/184;
B25G 1/04
See application file for complete search history.

(56) **References Cited**

U.S. PATENT DOCUMENTS

D147,890 S * 11/1947 Clausen D32/19
D156,689 S * 1/1950 Atkin D32/19
D178,848 S * 9/1956 Pond D32/19
3,074,089 A * 1/1963 Brown, Jr. A47L 11/4069
74/421 A
4,998,314 A * 3/1991 Borofsky A47L 11/4036
15/49.1
5,027,470 A * 7/1991 Takashima A47L 5/30
15/385

OTHER PUBLICATIONS

Husqvarna Construction, "How to grind a HiPERFLOOR® with commercial finish", (uploaded Jul. 4, 2014), YouTube.com, URL:<<https://www.youtube.com/watch?v=dmscCN9Yj5s&list=PLhUWTRGz7PxxRaOp7eFzLP8lhyqzXuoWq&index=1>> (Year: 2014).*

(Continued)

Primary Examiner — Calvin E Vansant
Assistant Examiner — Mark T. Philipps
(74) *Attorney, Agent, or Firm* — Burr & Forman LLP

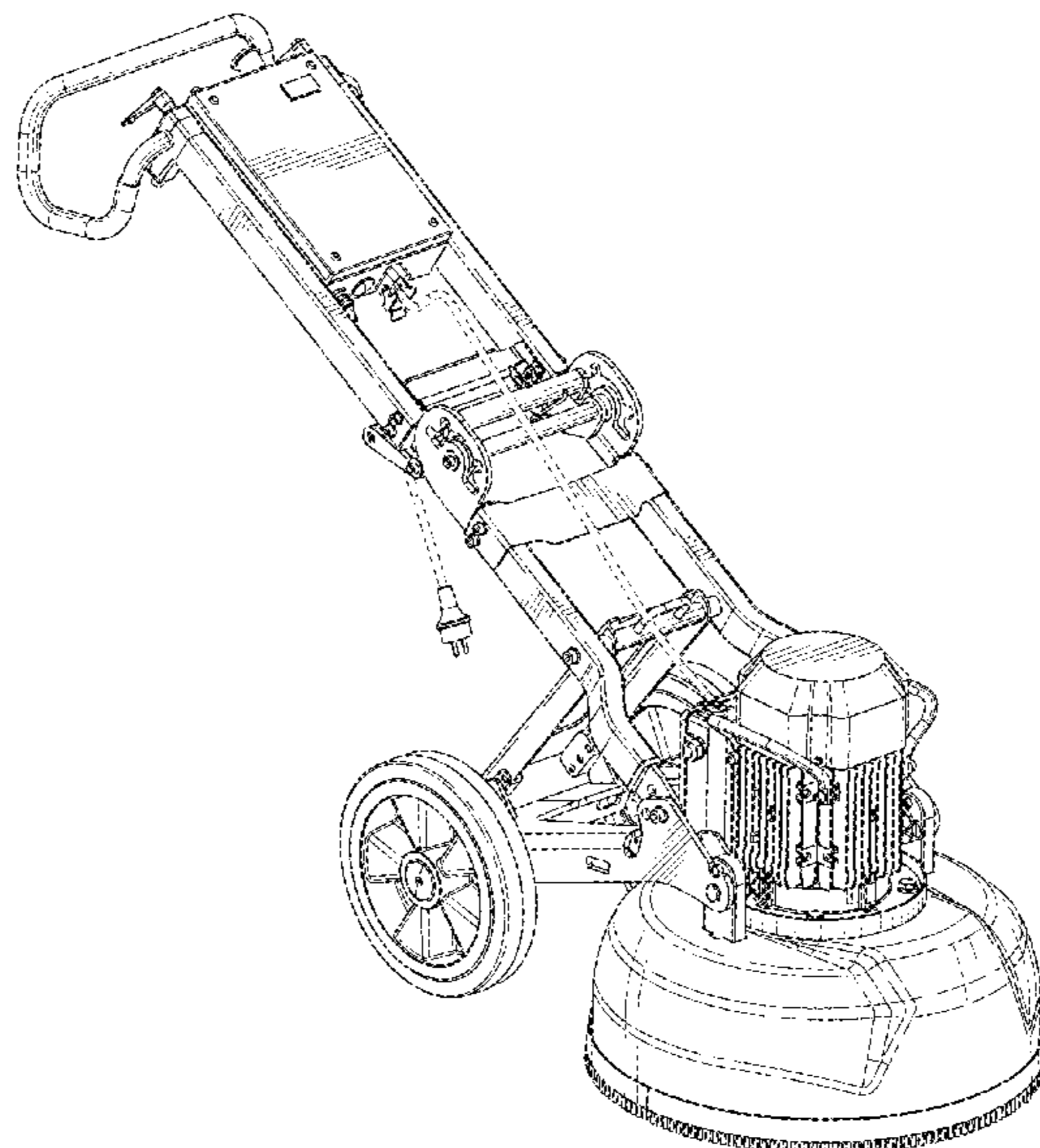
(57) **CLAIM**

The ornamental design for the grinding machine, as shown and described.

DESCRIPTION

FIG. 1 is a perspective view of a grinding machine in accordance with an embodiment of the present invention; FIG. 2 is a top view of the grinding machine of FIG. 1; FIG. 3 is a bottom view of the grinding machine of FIG. 1; FIG. 4 is a left side view of the grinding machine of FIG. 1; FIG. 5 is a right side view of the grinding machine of FIG. 1; FIG. 6 is a front view of the grinding machine of FIG. 1; and, FIG. 7 is a rear view of the grinding machine of FIG. 1. The broken lines of the grinding machine in FIGS. 1-7 form no part of the claimed design.

1 Claim, 7 Drawing Sheets



(56)

References Cited

U.S. PATENT DOCUMENTS

D938,113 S * 12/2021 Wang D32/15
D947,908 S * 4/2022 Landberg D8/62
D947,909 S * 4/2022 Landberg D8/62
2007/0209141 A1* 9/2007 Hare A47L 5/36
15/327.5
2020/0060498 A1* 2/2020 Bradley A47L 9/0477

OTHER PUBLICATIONS

Husqvarna CP, Floor Grinding & Polishing PG 450, (site visited Apr. 20, 2022), Husqvarna website, URL:<<https://www.husqvarnacp.com/us/machines/floor-grinders/pg-450/967648608/>> (Year: 2022).*

* cited by examiner

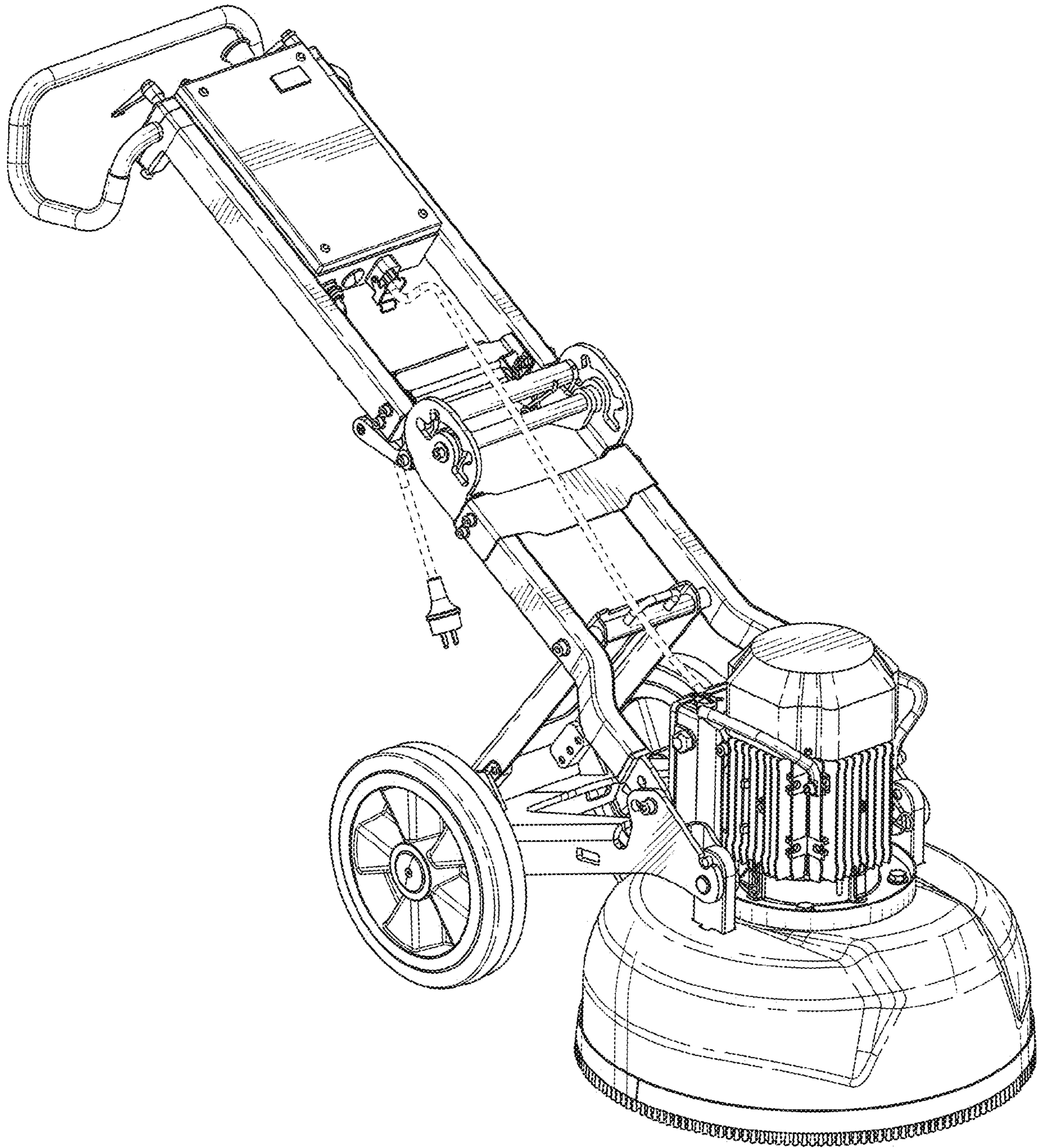


FIG. 1

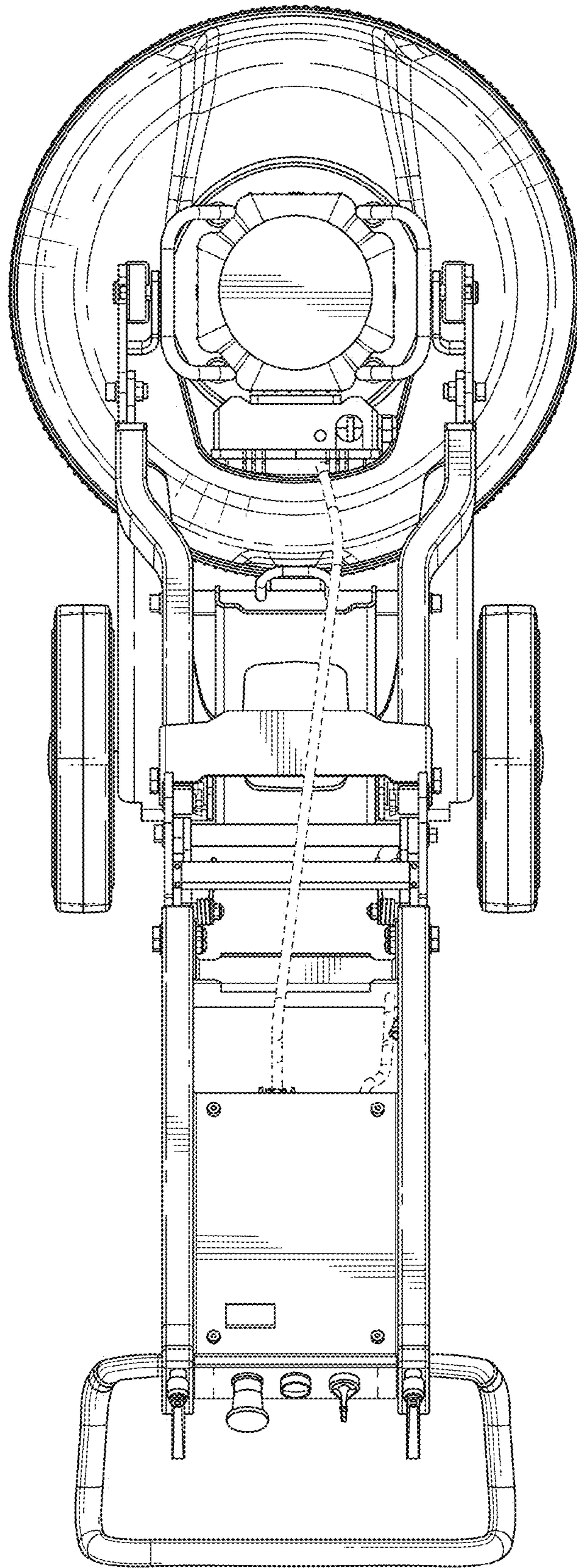


FIG. 2

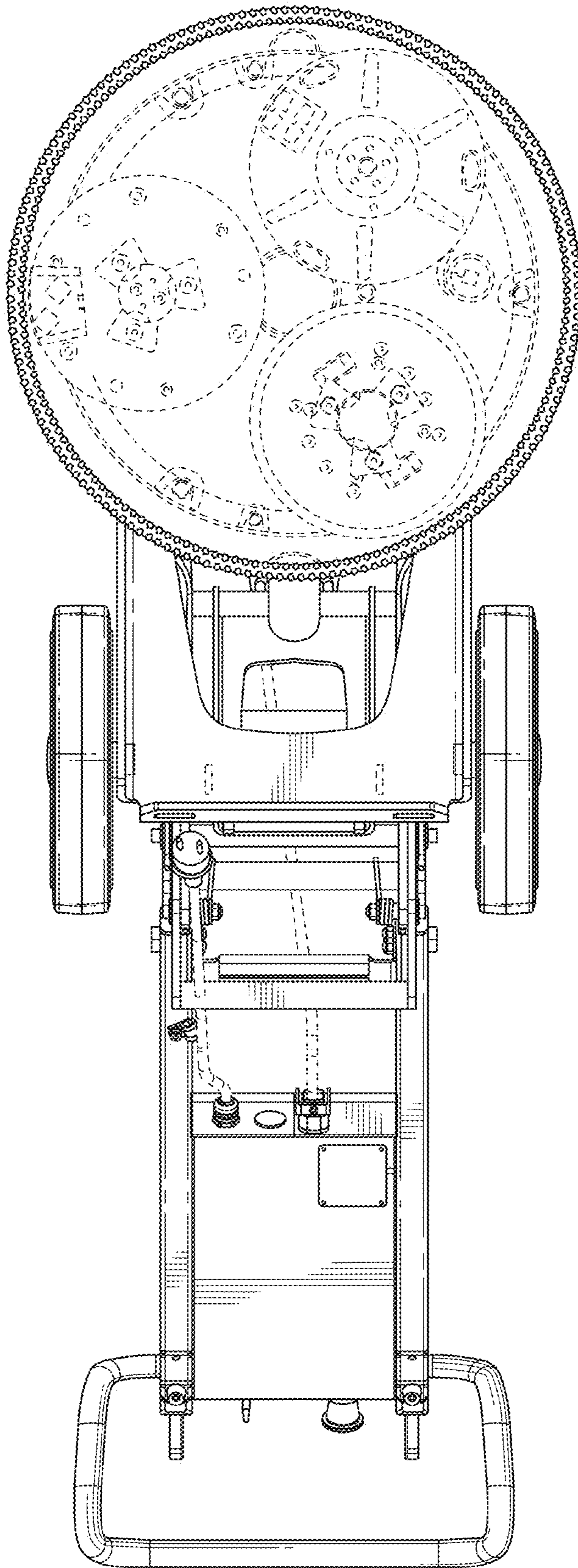


FIG. 3

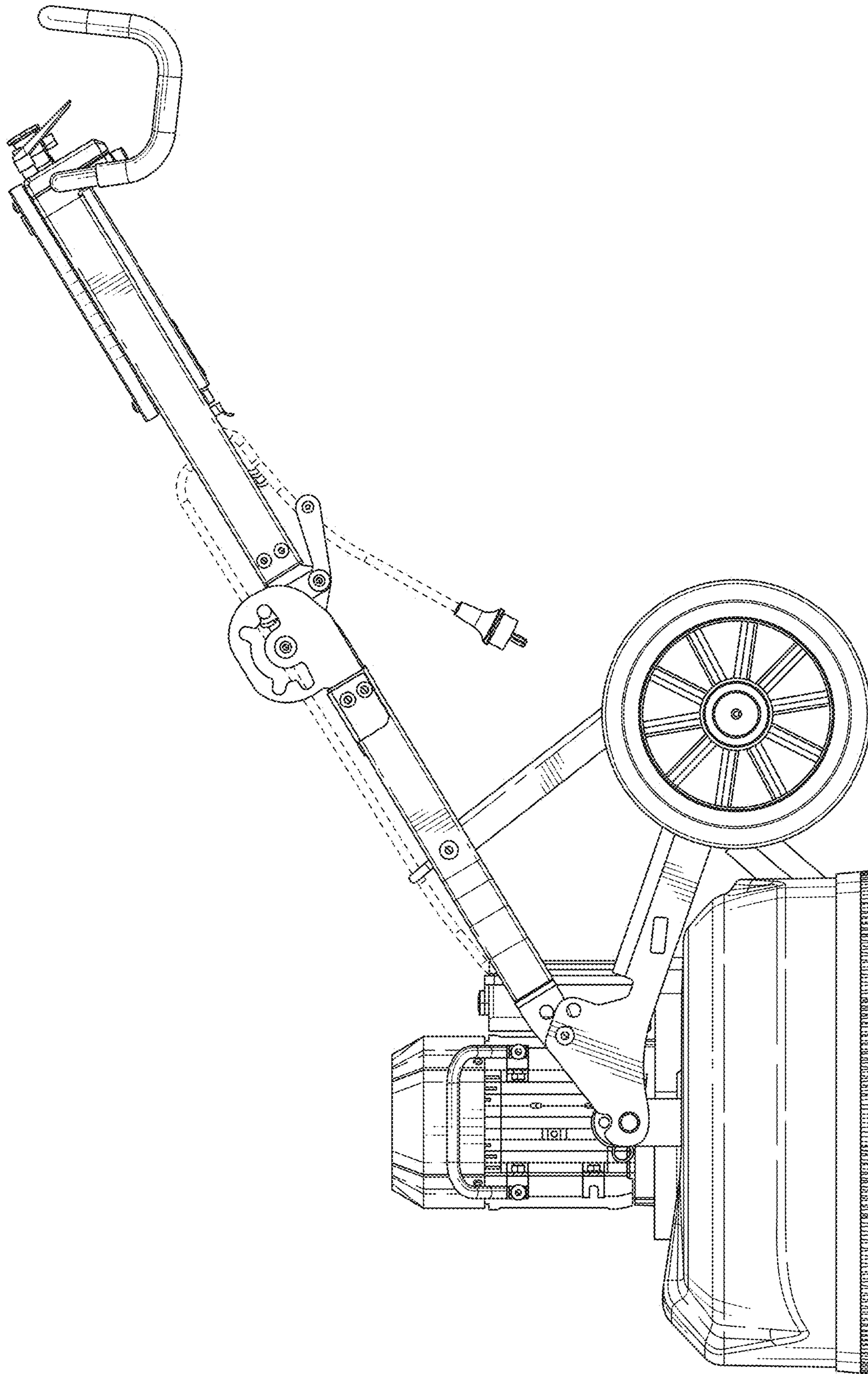


FIG. 4

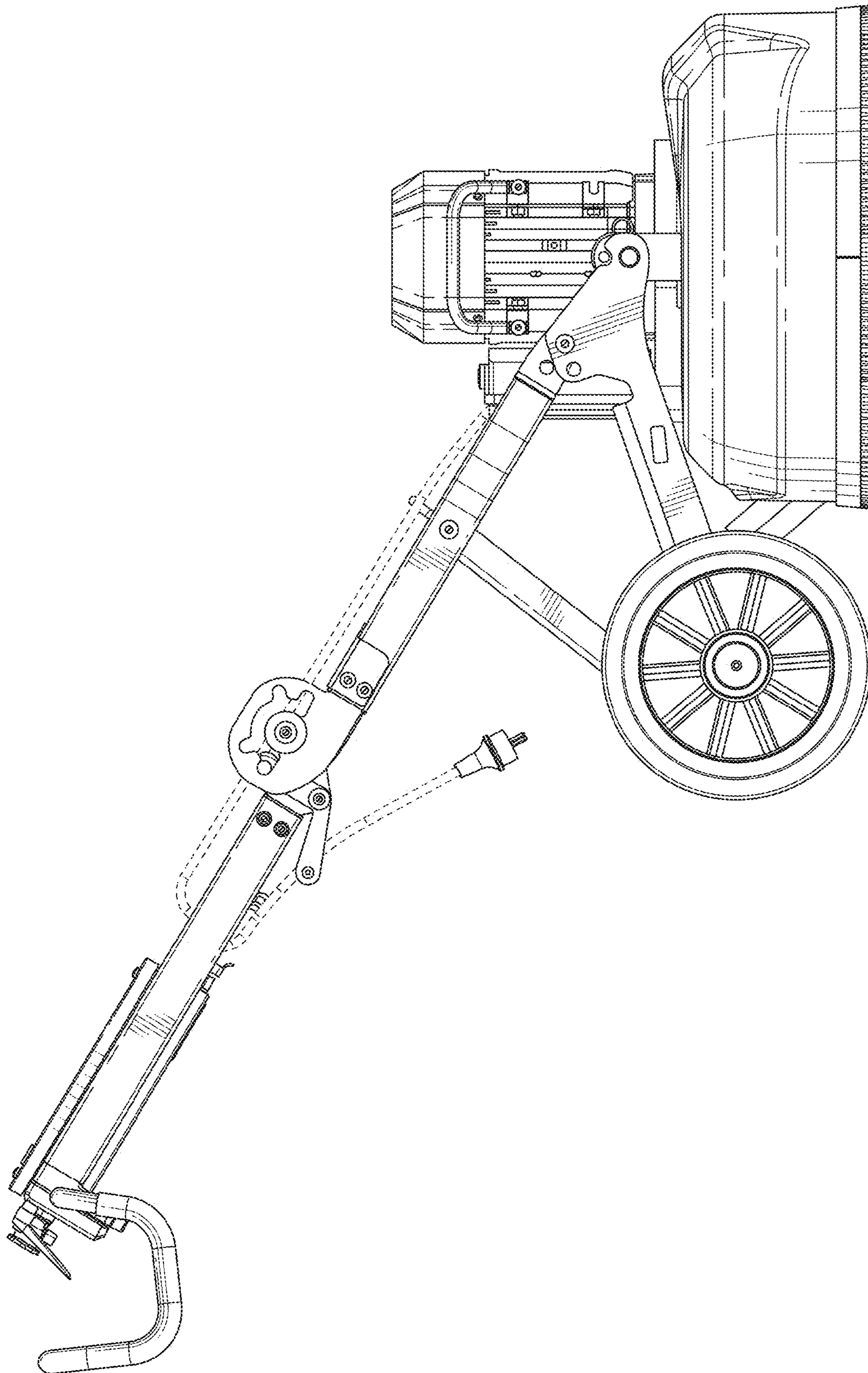


FIG. 5

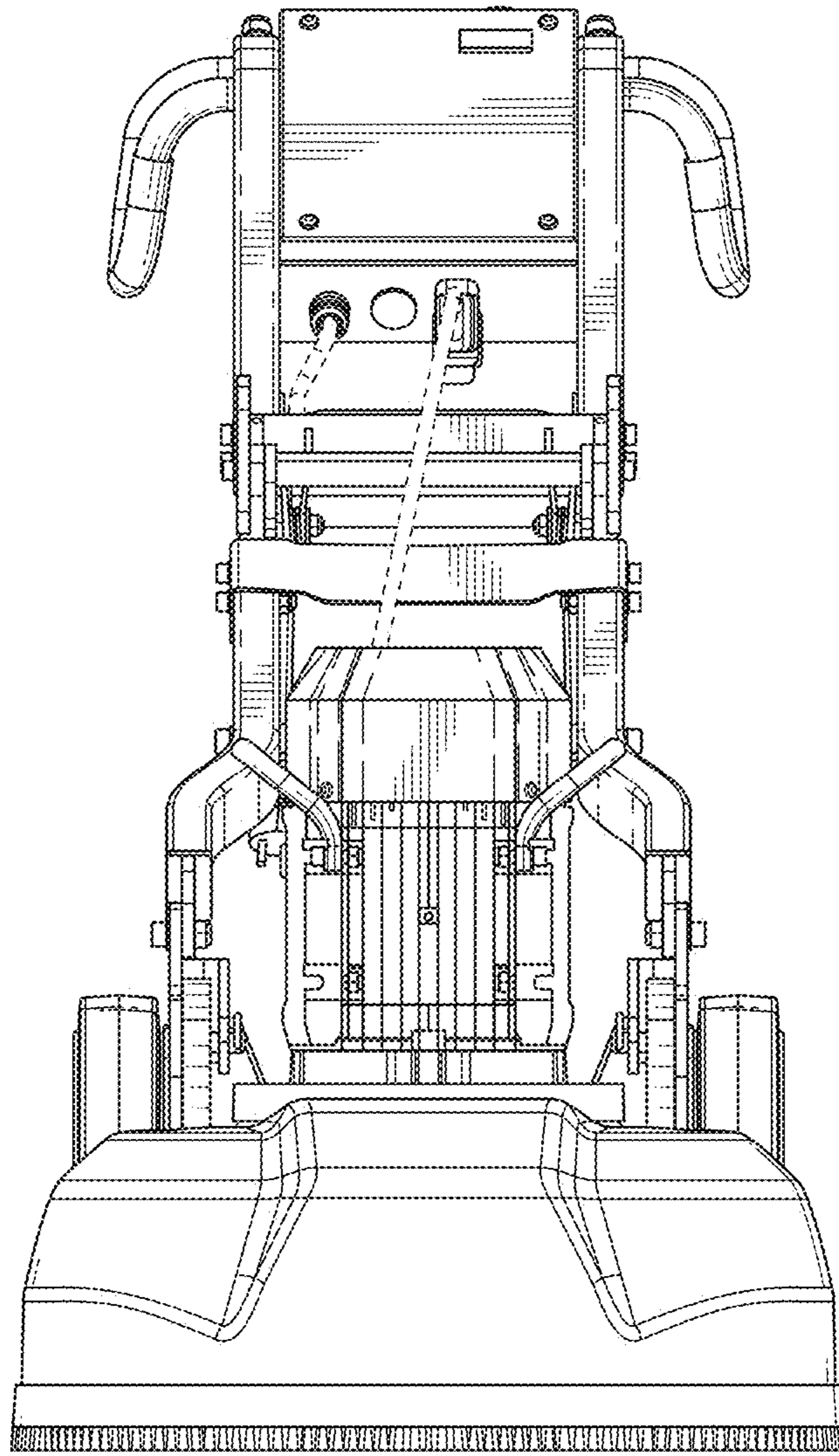


FIG. 6

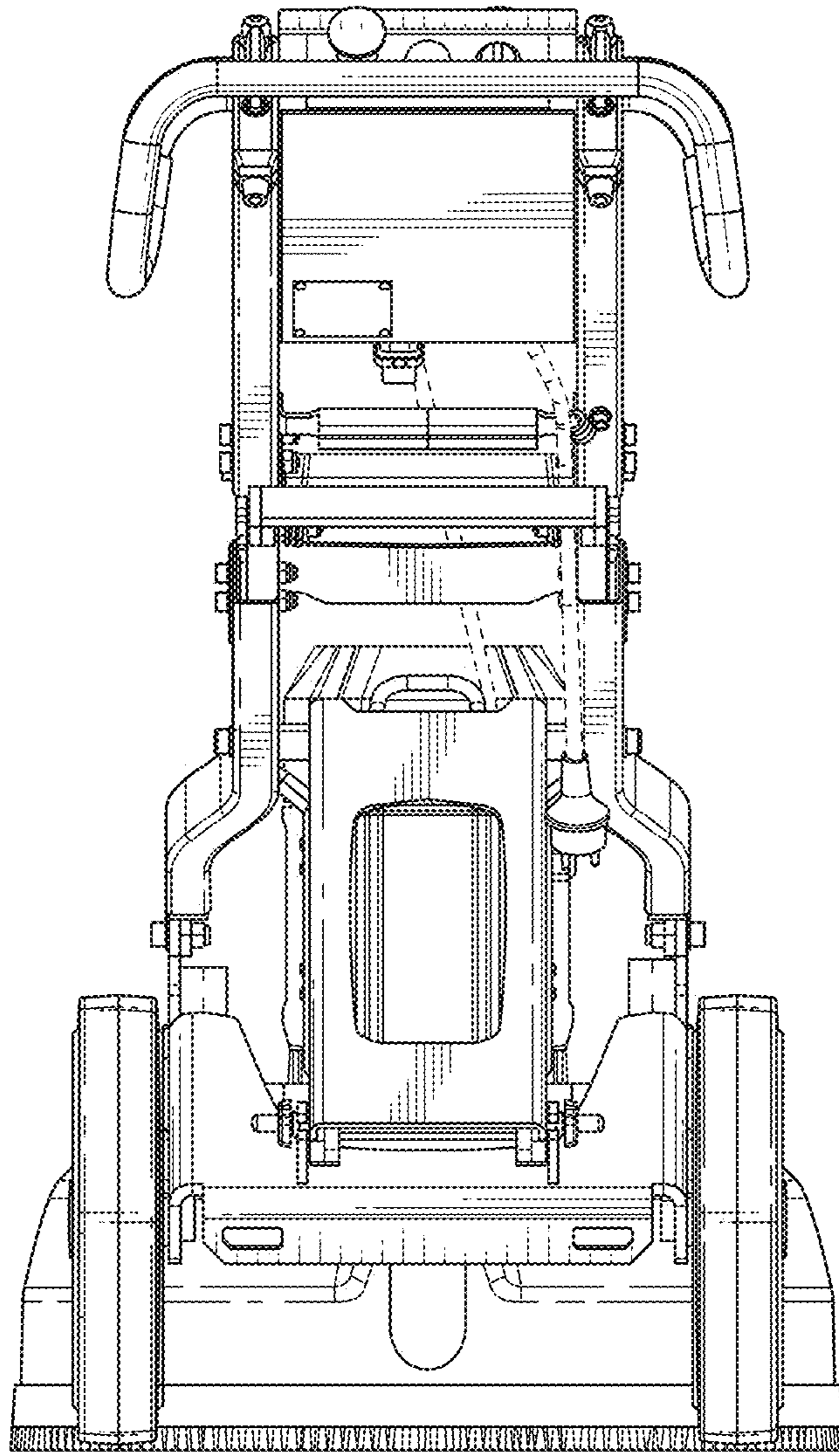


FIG. 7