



US00D973111S

(12) **United States Design Patent** (10) **Patent No.:** **US D973,111 S**
Rizzi et al. (45) **Date of Patent:** **** Dec. 20, 2022**

(54) **PORTABLE REFRIGERATOR**

FOREIGN PATENT DOCUMENTS

(71) Applicant: **Electrolux Home Products, Inc.**,
Charlotte, NC (US)

CA 104458 S 2/2005
CN 3225699 3/2002

(Continued)

(72) Inventors: **Saba Rizzi**, Charlotte, NC (US); **Brent Curtis**, Terrell, NC (US)

OTHER PUBLICATIONS

(73) Assignee: **Electrolux Home Products, Inc.**,
Charlotte, NC (US)

Personal Chiller, available in Amazon.com, date first available Nov. 25, 2020 [online], [Jul. 13, 2022], Available from the internet URL: https://www.amazon.com/dp/B08PCFRMPJ/ref=sbl_dp_x_kitchen-wine-cellars_B07Y8V48WQ_0?th=1 (Year: 2020).*

(**) Term: **15 Years**

(Continued)

(21) Appl. No.: **29/769,507**

(22) Filed: **Feb. 5, 2021**

Primary Examiner — Calvin E Vansant

(51) **LOC (13) Cl.** **15-07**

Assistant Examiner — Eidiol Ghigliotty Torres

(52) **U.S. Cl.**
USPC **D15/81; D15/79**

(74) *Attorney, Agent, or Firm* — Banner & Witcoff, Ltd.

(58) **Field of Classification Search**
USPC D15/79, 81
CPC F25D 2400/00; F25D 2400/12; F25D 3/06;
F25D 3/08; F25D 2331/8012; F25D
11/00; F25D 11/003

(57) **CLAIM**

The ornamental design for a portable refrigerator, as shown and described.

See application file for complete search history.

DESCRIPTION

(56) **References Cited**

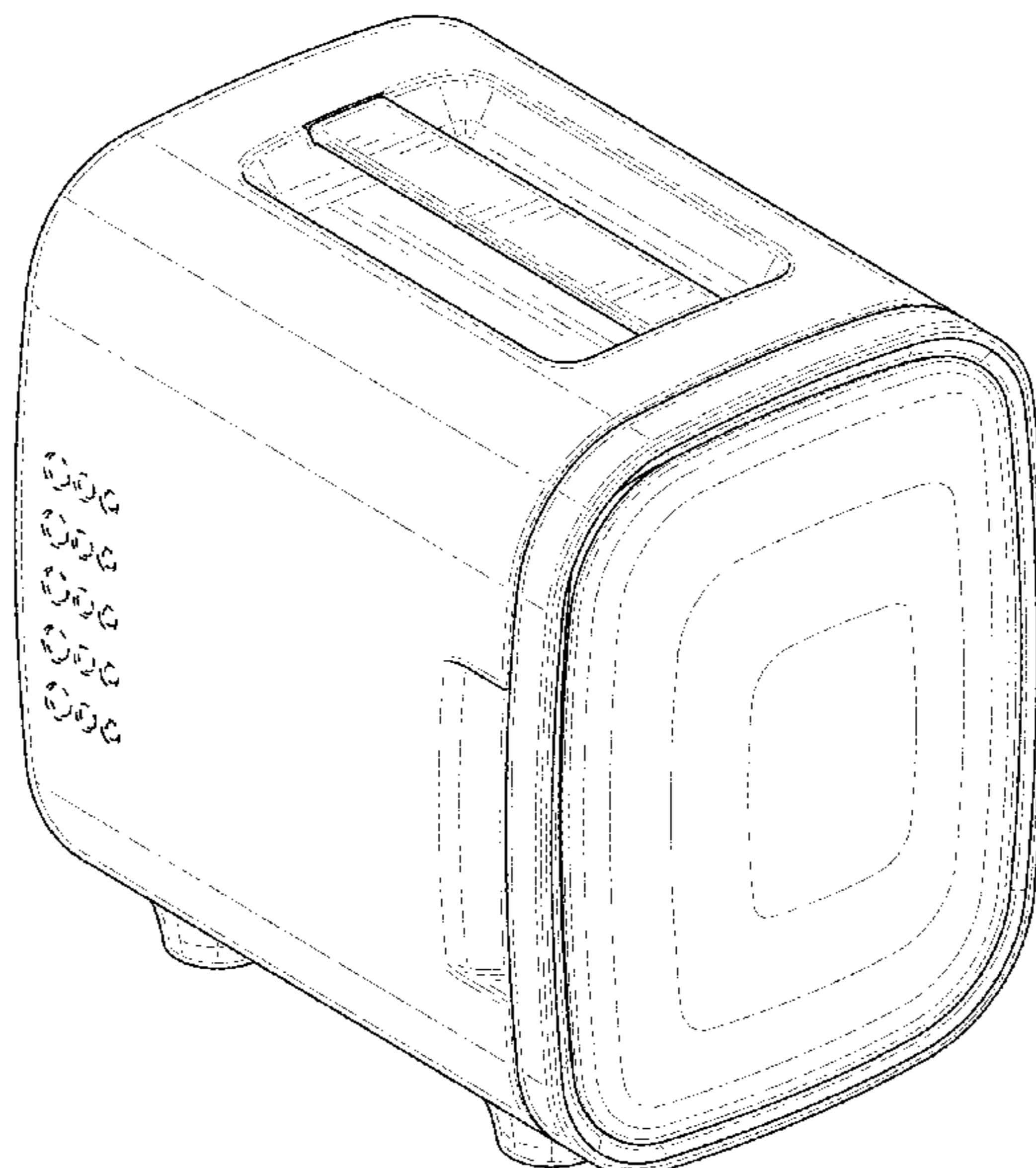
U.S. PATENT DOCUMENTS

D474,375 S	5/2003	Fromm	
D494,606 S	8/2004	Krieger et al.	
D568,909 S	5/2008	Santiago	
D800,799 S	10/2017	Feng	
D807,929 S *	1/2018	Feng	D15/81
D826,996 S	8/2018	Feng	
D853,454 S	7/2019	Kim et al.	
D886,163 S *	6/2020	Yao	D15/81
D896,856 S *	9/2020	Zhou	D15/81
D898,083 S *	10/2020	Yao	D15/79
D919,678 S *	5/2021	Yang	D15/81
D924,946 S *	7/2021	Xu	D15/81
D927,562 S *	8/2021	Kong	D15/81
D940,209 S *	1/2022	Kong	D15/81

(Continued)

FIG. 1 is a front perspective view of a portable refrigerator showing our new design;
FIG. 2 is a front view thereof;
FIG. 3 is a rear view thereof;
FIG. 4 is a left side view thereof;
FIG. 5 is a right side view thereof;
FIG. 6 is a top view thereof;
FIG. 7 is a bottom view thereof;
FIG. 8 is a front perspective view of the portable refrigerator of FIGS. 1-7 shown with the door in an opened position; and,
FIG. 9 is a front view thereof.
The dashed broken lines depict portion of the portable refrigerator that form no part of the claimed design.

1 Claim, 9 Drawing Sheets



(56)

References Cited

U.S. PATENT DOCUMENTS

D946,636	S	*	3/2022	Xu	D15/81
D947,905	S	*	4/2022	Xu	D15/81
D952,006	S	*	5/2022	Li	D15/81
D952,699	S	*	5/2022	Li	D15/79
D956,829	S	*	7/2022	Li	D15/79

FOREIGN PATENT DOCUMENTS

CN	3402029	11/2004
CN	3414759	12/2004
CN	3416526	1/2005
CN	3417285	1/2005
CN	3420842	1/2005
CN	3448751	5/2005
CN	3449482	5/2005
CN	3452015	6/2005
CN	3501973	2/2006
CN	3607960	2/2007
CN	304031035	2/2017
CN	304253864	8/2017
CN	305270207	7/2019
CN	305327302	8/2019
CN	305396950	10/2019
CN	305655409	3/2020
CN	305716344	4/2020
CN	305781588	5/2020
CN	305813272	5/2020
CN	305905337	7/2020
CN	305928799	7/2020
CN	305997312	8/2020
CN	306086041	10/2020
CN	306168747	11/2020
CN	306249541	12/2020
CN	306268292	1/2021
GB	3016789	4/2004
KR	3004045920000	1/2006
KR	3004099070000	3/2006
KR	3004722790000	12/2007
KR	3008964920000	3/2017
KR	3009208900000	8/2017
KR	3009486290000	3/2018

OTHER PUBLICATIONS

Mini Fridge, available in Walmart.com, undated product page, [Jul. 13, 2022], Available from the internet URL: <https://www.walmart.com/ip/Mini-Fridge-6-Liter-8-Can-Compact-Car-Refrigerator-Portable-Cooler-Warmer-AC-DC-Powered-Thermoelectric-System-Fridge-Super-Quiet-Small-Freezer-Home-O/367582356> (Year: 2022).*

EENOUR 12L Skincare Fridge, available in Amazon.com, date first available Mar. 7, 2022 [online], [Jul. 13, 2022], Available from the internet URL: https://www.amazon.com/EENOUR-Skincare-Refrigerator-Portable-Cosmetics/dp/B09V172HY3/ref=asc_df_B09V172HY3/?tag=hyprod-20&linkCode=df0&hvadid=598233368310&hv (Year: 2022).*

IKER 12 Liter Mini Fridge for Skin Care, available in Amazon.com, date first available Mar. 25, 2021 [online], [Jul. 13, 2022], Available from the internet URL: https://www.amazon.com/IKER-Skincare-Cosmetics-Portable-Suitable/dp/B09125PNC3/ref=pb_allspark_dp_sims_pao_desktop_session_based_sccl_3_3/146-836592 (Year: 2021).*

Cooluli Beauty 12L Skincare Fridge, available in Amazon.com, date first available Nov. 4, 2020 [online], [Jul. 13, 2022], Available from the internet URL: https://www.amazon.com/dp/B08ML6HBYJ/ref=sspa_dk_detail_0?pd_rd_i=B08ML6HBYJ&pd_rd_w=IFJat&content-id=amzn1.sym.3be1c5b9-5b41-4830-a902-fa8556c19eb5&pf_ (Year: 2020).*

Beauty Mini Fridge, available in Amazon.com, date first available Oct. 20, 2020 [online], [Jul. 13, 2022], Available from the internet URL: https://www.amazon.com/CAYNEL-breathing-Skincare-Cosmetics-Freon-Free/dp/B08LG8V238/ref=pb_allspark_dp_sims_pao_desktop_session_based_sccl_4_8/146-8365921-3906931?pd_rd (Year: 2020).*

“Chefman Mini Portable Pink Personal Fridge”; Amazon; retrieved Jan. 26, 2021; published date unknown, prior to Jan. 26, 2021; URL: <https://www.amazon.com/dp/B07Q4QWV1M?>>.

“Cooluli Beauty Pearl White 12-liter Skincare Fridge”; Amazon; retrieved Jan. 26, 2021; published date unknown, prior to Jan. 26, 2021; URL: https://www.amazon.com/dp/B08ML6HBYJ/ref=sspa_dk_detail_4?>.

“Cooluli Mini Fridge Electric Cooler and Warmer”; Amazon; retrieved Jan. 26, 2021; published date unknown, prior to Jan. 26, 2021; URL: <https://www.amazon.com/dp/B01G7IL51Q/>>.

“Crownful Multifunctional Mini Fridge”; Amazon; retrieved Jan. 26, 2021; published date unknown, prior to Jan. 26, 2021; URL: https://www.amazon.com/dp/B08GS9ZLQ9/ref=sspa_dk_detail_1>.

“FaceTory Vanilla Skincare Fridge”; Amazon; retrieved Jan. 26, 2021; published date unknown, prior to Jan. 26, 2021; URL: https://www.amazon.com/dp/B08N5K9WRL/ref=sspa_dk_detail_5>.

“Frigidaire EFMIS129-BLACK 6 Can Retro Mini Portable Personal Fridge/Cooler”; Amazon; retrieved Jan. 26, 2021; published date unknown, prior to Jan. 26, 2021; URL: <https://www.amazon.com/Frigidaire-EFMIS129-BLACK-Portable-Personal-Fridge/dp/B07L4BXTMC/>>.

“Mini Fridge 6 Liter AC/DC Portable Beauty Fridge”; Amazon; retrieved Jan. 26, 2021; published date unknown, prior to Jan. 26, 2021; URL: <https://www.amazon.com/dp/B088CX1YQF/>>.

“Mini Portable Fridge 6 Liter”; Amazon; retrieved Jan. 26, 2021; published date unknown, prior to Jan. 26, 2021; URL: <https://www.amazon.com/Portable-Thermoelectric-Skincare-Medications-Bedroom/dp/B08GPTJL6D/>>.

“Xtrempro KHOOLA Mini Fridge”; Amazon; retrieved Jan. 26, 2021; published date unknown, prior to Jan. 26, 2021; URL: <https://www.amazon.com/Xtrempro-KHOOLA-Fridge-Thermoelectric-Powered/dp/B08547R43N/>>.

“YITAMOTOR Mini Makeup Fridge 10 Liter”; Amazon; retrieved Jan. 26, 2021; published date unknown, prior to Jan. 26, 2021; URL: <https://www.amazon.com/YITAMOTOR-Portable-Cooler-Warmer-Refrigerators/dp/B087B511DL/>>.

“FaceTory Portable Coral Beauty Fridge”; Amazon; retrieved Jan. 25, 2021; published date unknown, prior to Jan. 25, 2021; URL: <https://www.amazon.com/dp/B07THDQXF8?>>.

“Infinity 10 Liter Mini Fridge”; Cooluli; retrieved Jan. 25, 2021; published date unknown, prior to Jan. 25, 2021; URL: <https://cooluli.com/products/infinity-10-liter-mini-fridge>>.

“Uber Appliance Mini Fridge”; Mariano’s; retrieved Jan. 25, 2021; published date unknown, prior to Jan. 25, 2021; URL: <https://www.marianos.com/p/uber-appliance-mini-fridge-4l-personal-and-portable-mini-fridge-with-dry-erase-door/0066123947955>>.

“Relavel Skincare Fridge Mini Fridge”; Amazon; retrieved Jan. 25, 2021; published date unknown, prior to Jan. 25, 2021; URL: <https://www.amazon.com/Relavel-Skincare-Portable-Refrigerator-Accessories/dp/B088WGT3XJ/>>.

“Teami Luxe Skincare Fridge”; Teami Blends; retrieved Jan. 25, 2021; published date unknown, prior to Jan. 25, 2021; URL: <https://www.teamiblends.com/products/luxe-skincare-fridge>>.

“Clearance! Mini Fridge, Electric Cooler & Warmer”; Walmart; retrieved Jan. 25, 2021; published date unknown, prior to Jan. 25, 2021; URL: <https://www.walmart.com/ip/Clearance-Mini-Fridge-Electric-Cooler-Warmer-6Liter-8Can-Portable-Compact-Personal-Desk-Accessories-Refrigerator-Women-Office-Car-Trip-Outdoor-Dorm-A/808137289>>.

“QUBI Mini Fridge”; Amazon; retrieved Jan. 26, 2021; published date unknown, prior to Jan. 26, 2021; URL: <https://www.amazon.com/QUBI-Professional-Skincare-Cosmetics-Compact/dp/B08G4SK4KN/>>.

“AstroAI Mini Fridge 6 Liter/8 Can Skincare Fridge”; Amazon; retrieved Jan. 26, 2021; published date unknown, prior to Jan. 26, 2021; URL: <https://www.amazon.com/AstroAI-Fridge-Liter-Skincare-Bedroom/dp/B089PYWXSC>>.

* cited by examiner

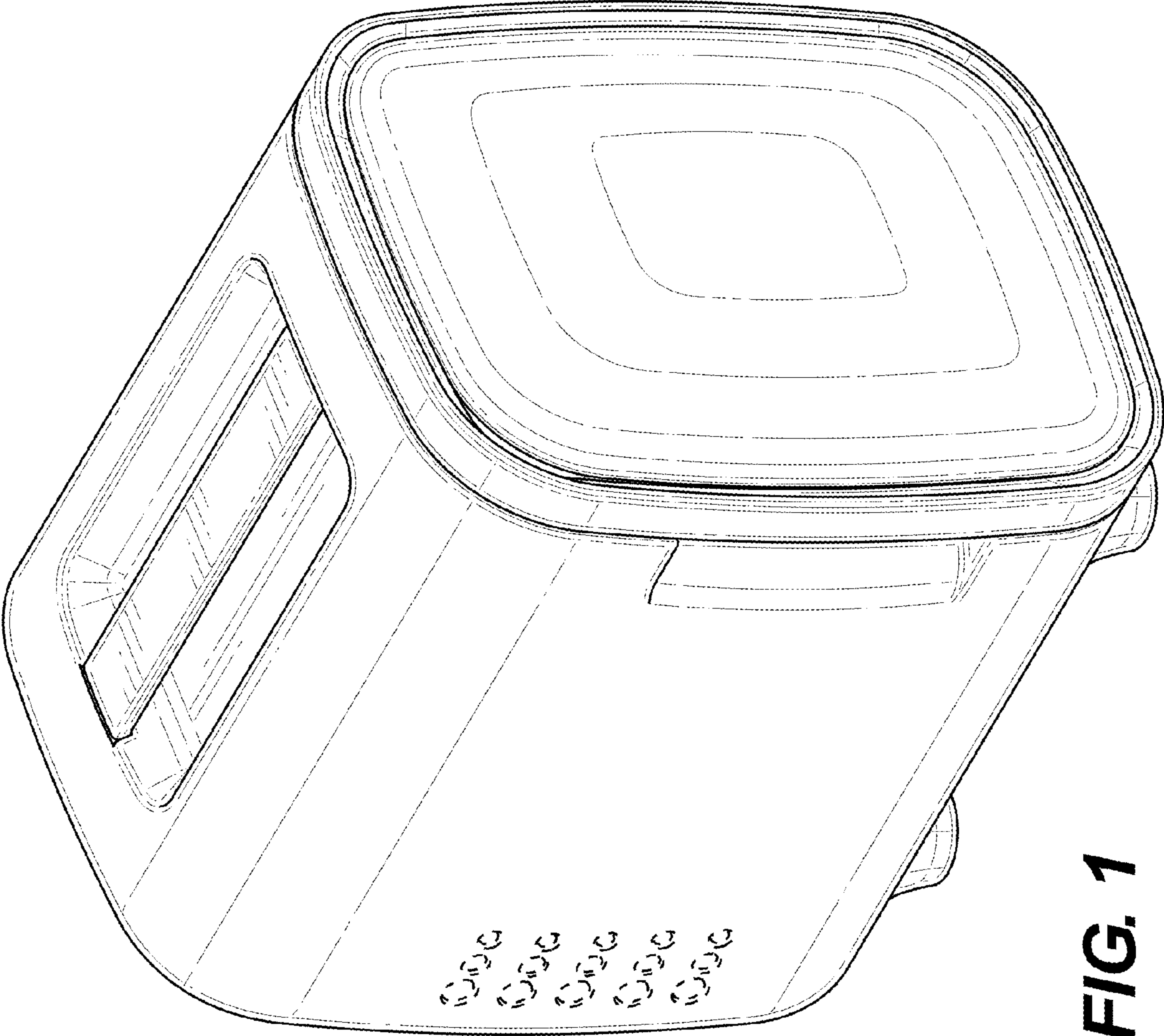


FIG. 1

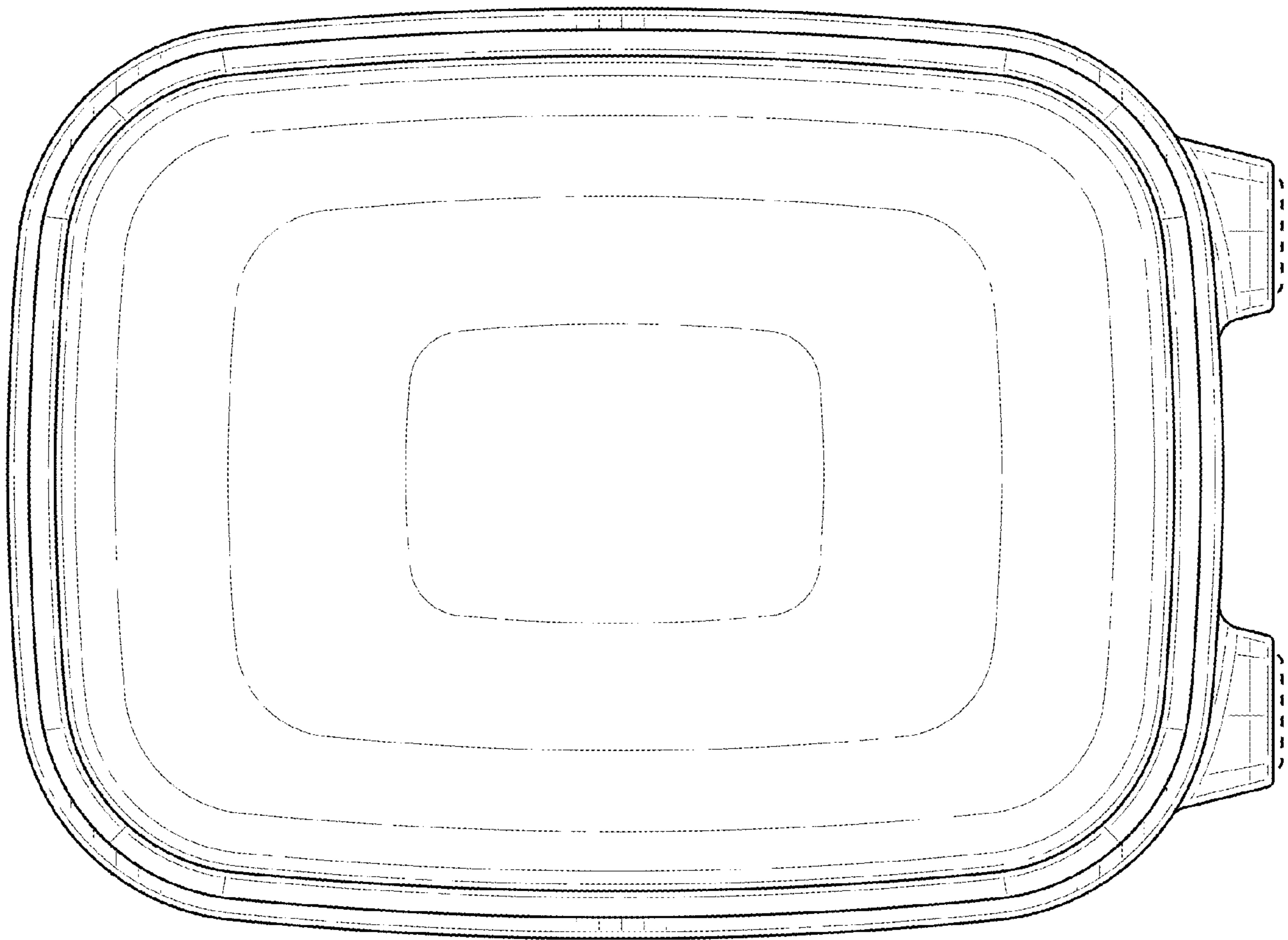


FIG. 2

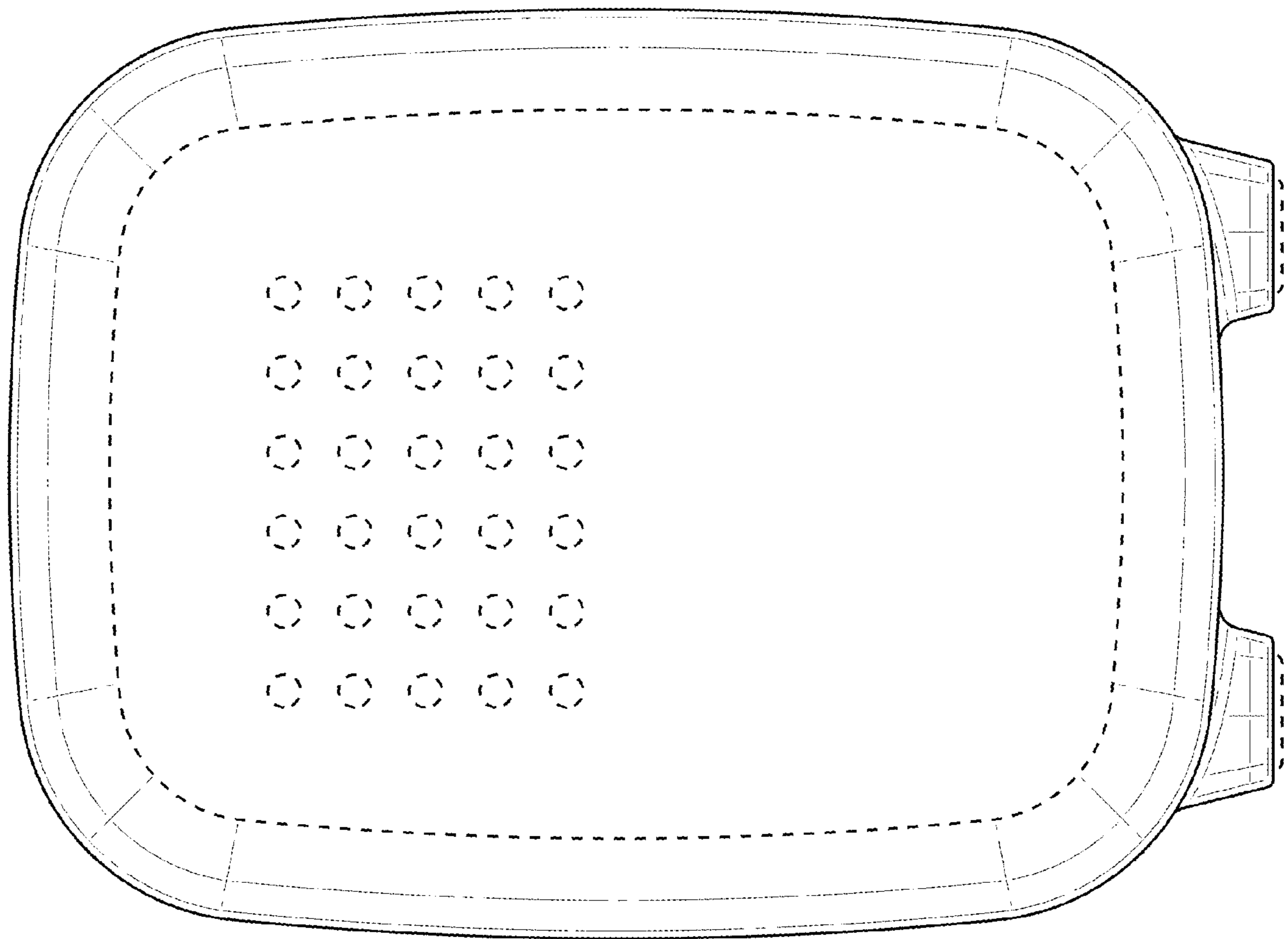
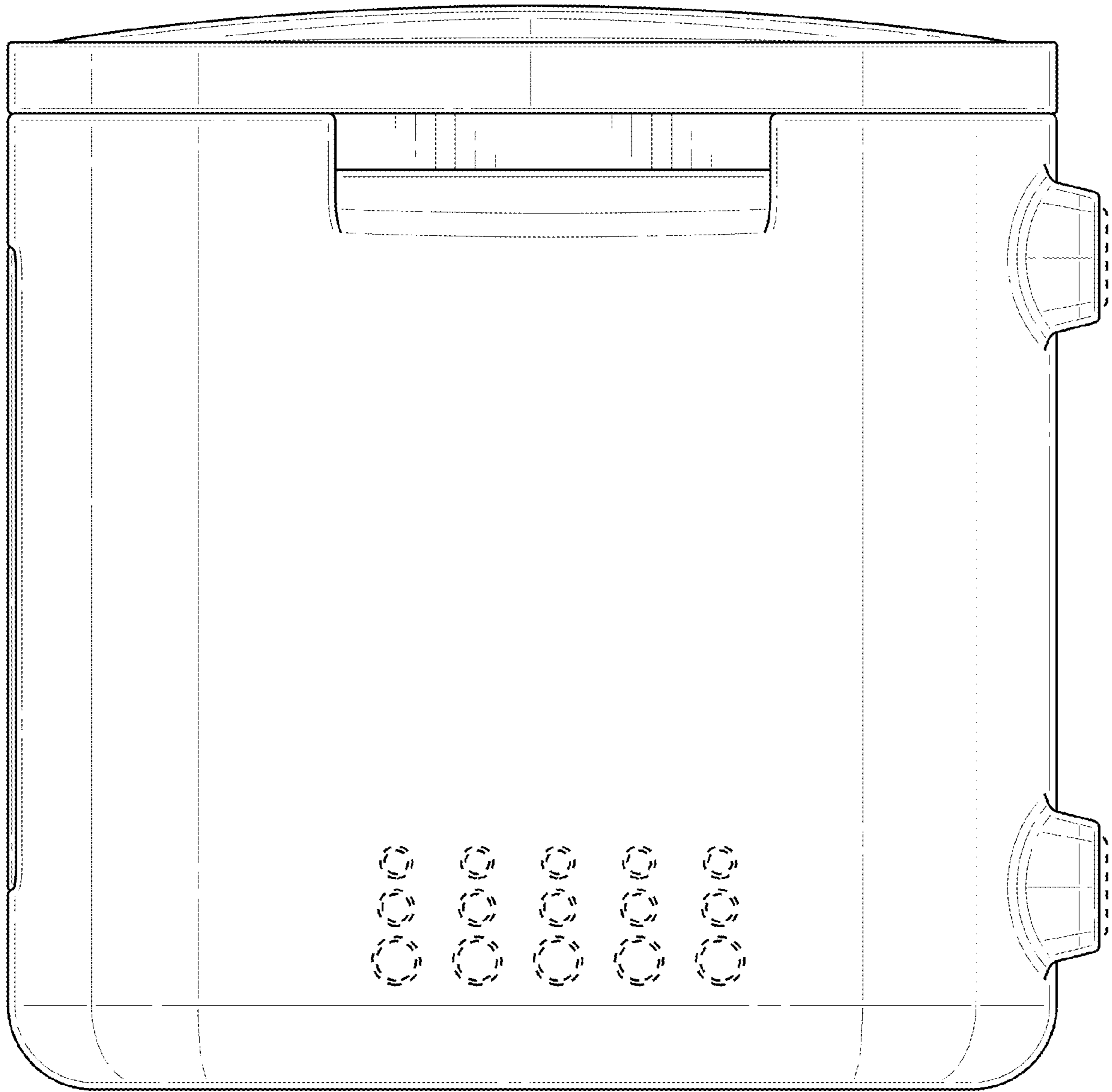


FIG. 3

FIG. 4



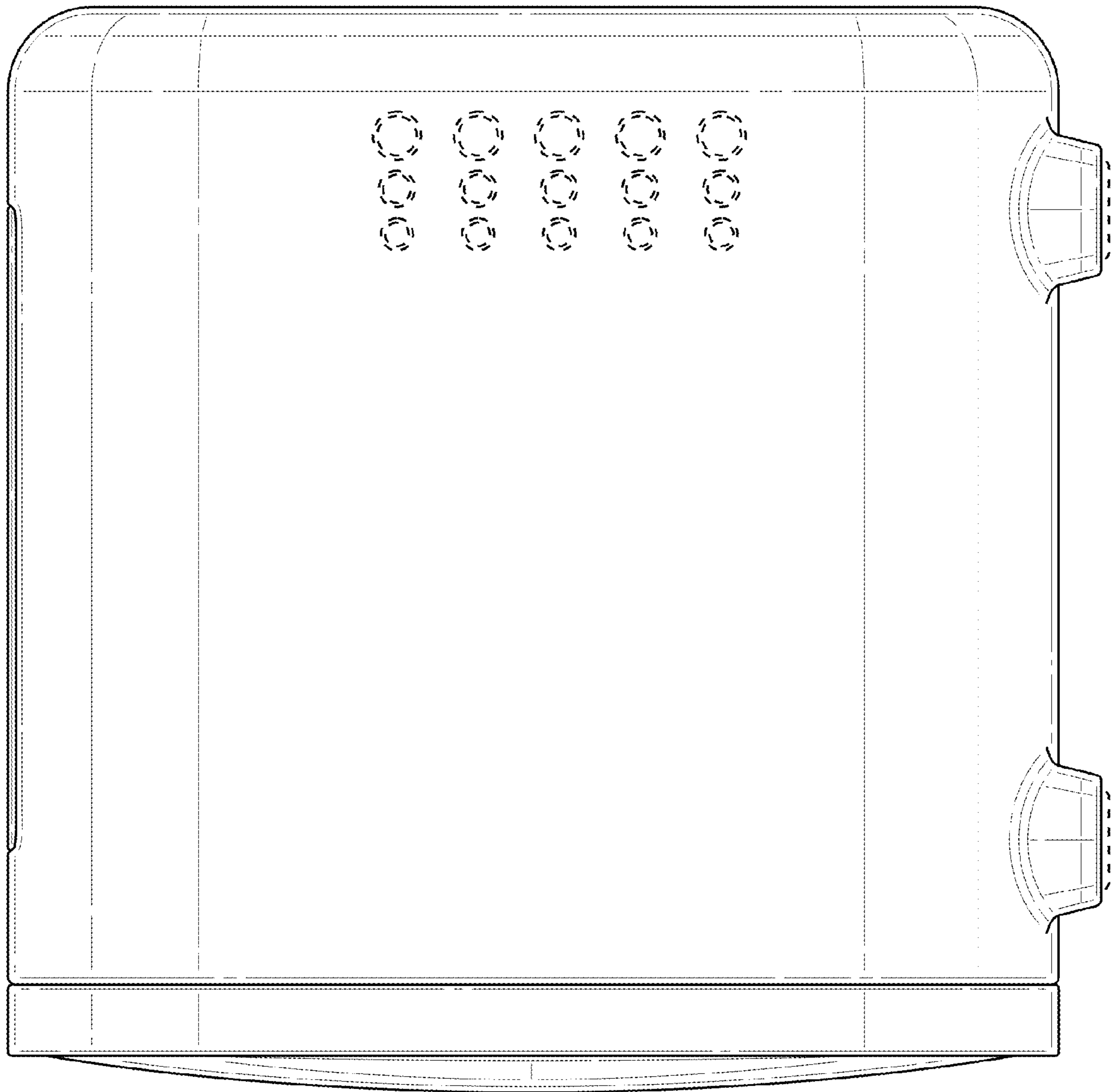


FIG. 5

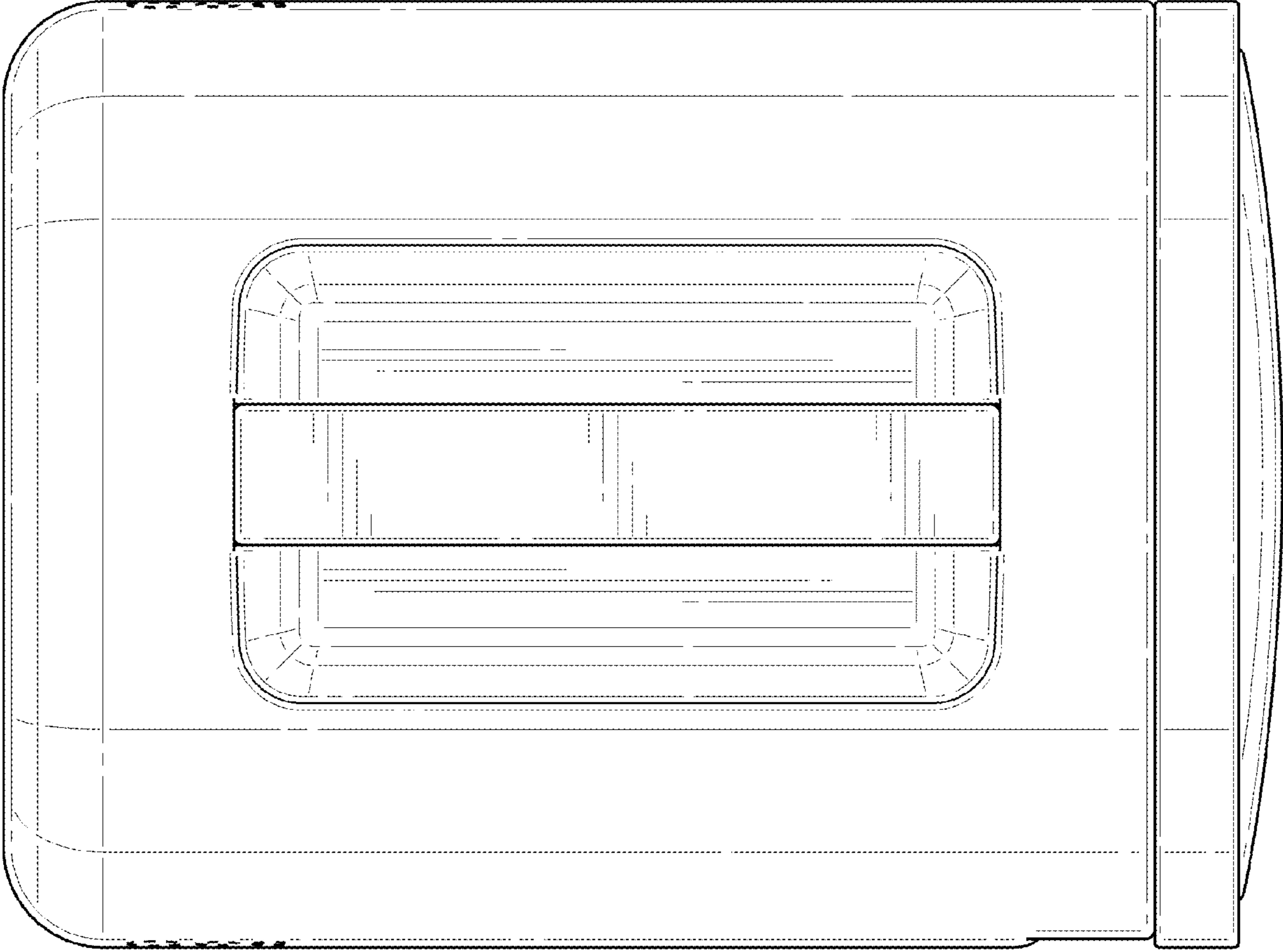


FIG. 6

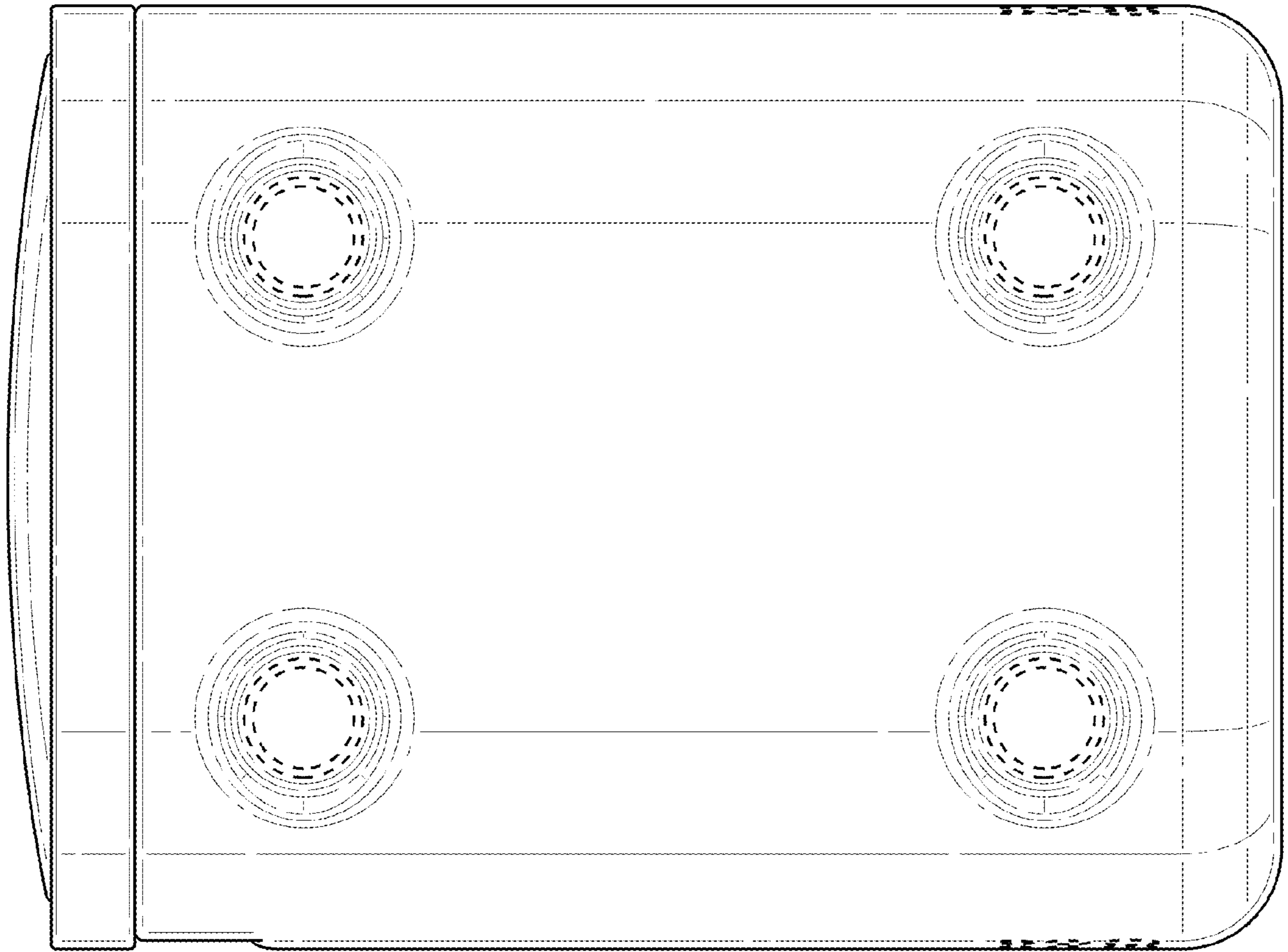


FIG. 7

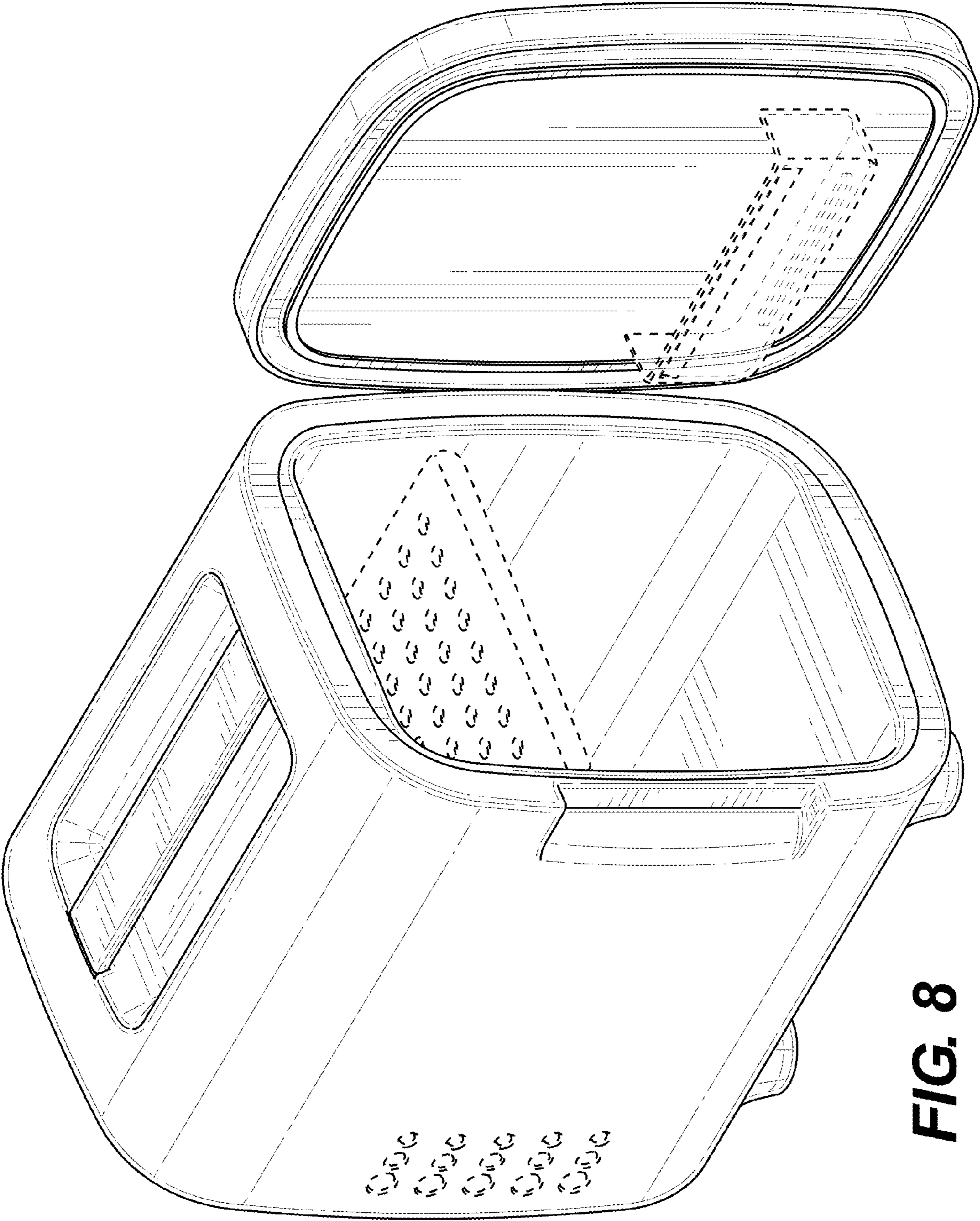


FIG. 8

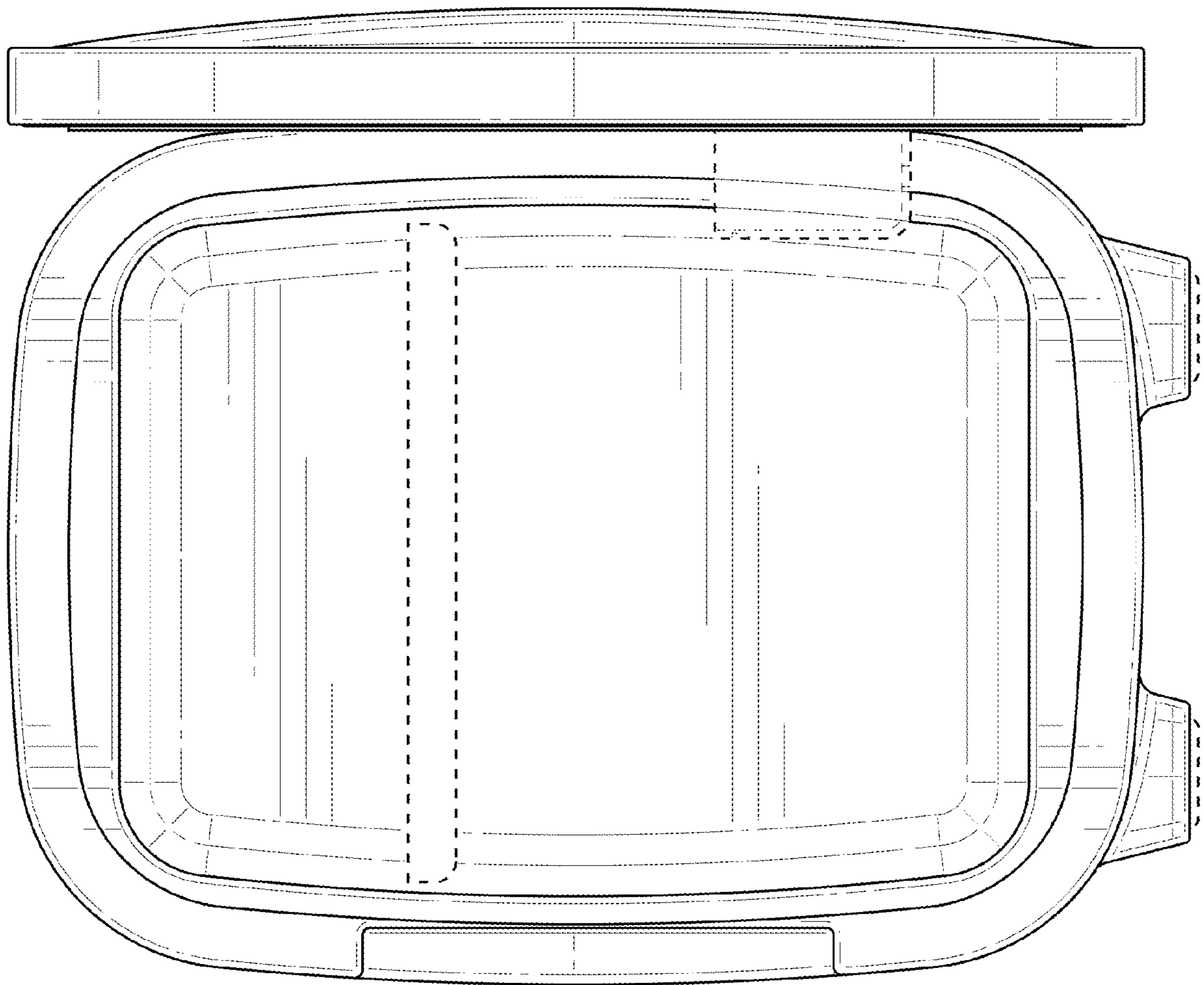


FIG. 9