



US00D973109S

(12) **United States Design Patent**
Song et al.

(10) **Patent No.:** **US D973,109 S**

(45) **Date of Patent:** **** Dec. 20, 2022**

(54) **PART FOR EXCAVATOR BUCKET**

(71) Applicant: **SUNGBO INDUSTRIAL CO., LTD.**,
Incheon (KR)

(72) Inventors: **Keun Chul Song**, Seoul (KR); **Dae Hyun Ryu**, Incheon (KR); **Hyun Soo Lee**, Incheon (KR); **Chang Woo Lim**, Incheon (KR)

(73) Assignee: **SUNGBO INDUSTRIAL CO., LTD.**,
Incheon (KR)

(**) Term: **15 Years**

(21) Appl. No.: **29/787,194**

(22) Filed: **Jun. 4, 2021**

(30) **Foreign Application Priority Data**

Dec. 4, 2020 (KR) 30-2020-0059850

(51) **LOC (13) Cl.** **15-03**

(52) **U.S. Cl.**
USPC **D15/29**; D15/28

(58) **Field of Classification Search**
USPC D15/11, 28, 29; 37/456, 452, 450, 446, 37/454, 449, 453, 455, 903; 403/379.5, 403/DIG. 1; 111/152; 172/724, 730, 172/766, 770, 771, 721, 713, 699, 772
CPC Y10T 29/49826; Y10T 403/589; Y10T 403/7018; Y10T 403/7075; E02F 9/28; E02F 9/2825; E02F 9/2833; E02F 9/2866; E02F 9/2858; E02F 9/2808; E02F 9/2841
See application file for complete search history.

(56) **References Cited**

U.S. PATENT DOCUMENTS

4,231,173 A * 11/1980 Davis E02F 9/2833
37/457
D410,657 S * 6/1999 Launder D15/29

5,937,550 A * 8/1999 Emrich E02F 9/2841
37/456
D435,567 S * 12/2000 Clendenning D15/29
D436,116 S * 1/2001 Clendenning D15/29
D446,224 S * 8/2001 Clendenning D15/29
D447,154 S * 8/2001 Clendenning D15/29
D614,206 S * 4/2010 Ruvang D15/29
D624,943 S * 10/2010 Gibbon D15/29
D707,264 S * 6/2014 Renski D15/28
D727,367 S * 4/2015 Renski D15/28
D784,424 S * 4/2017 Renski D15/28
D806,758 S * 1/2018 Serrurier D15/28
D807,926 S * 1/2018 Kunz D15/28
9,976,287 B2 * 5/2018 Kunz E02F 9/2841

(Continued)

Primary Examiner — Mark A Goodwin

(74) *Attorney, Agent, or Firm* — Novick, Kim & Lee, PLLC; Jae Youn Kim

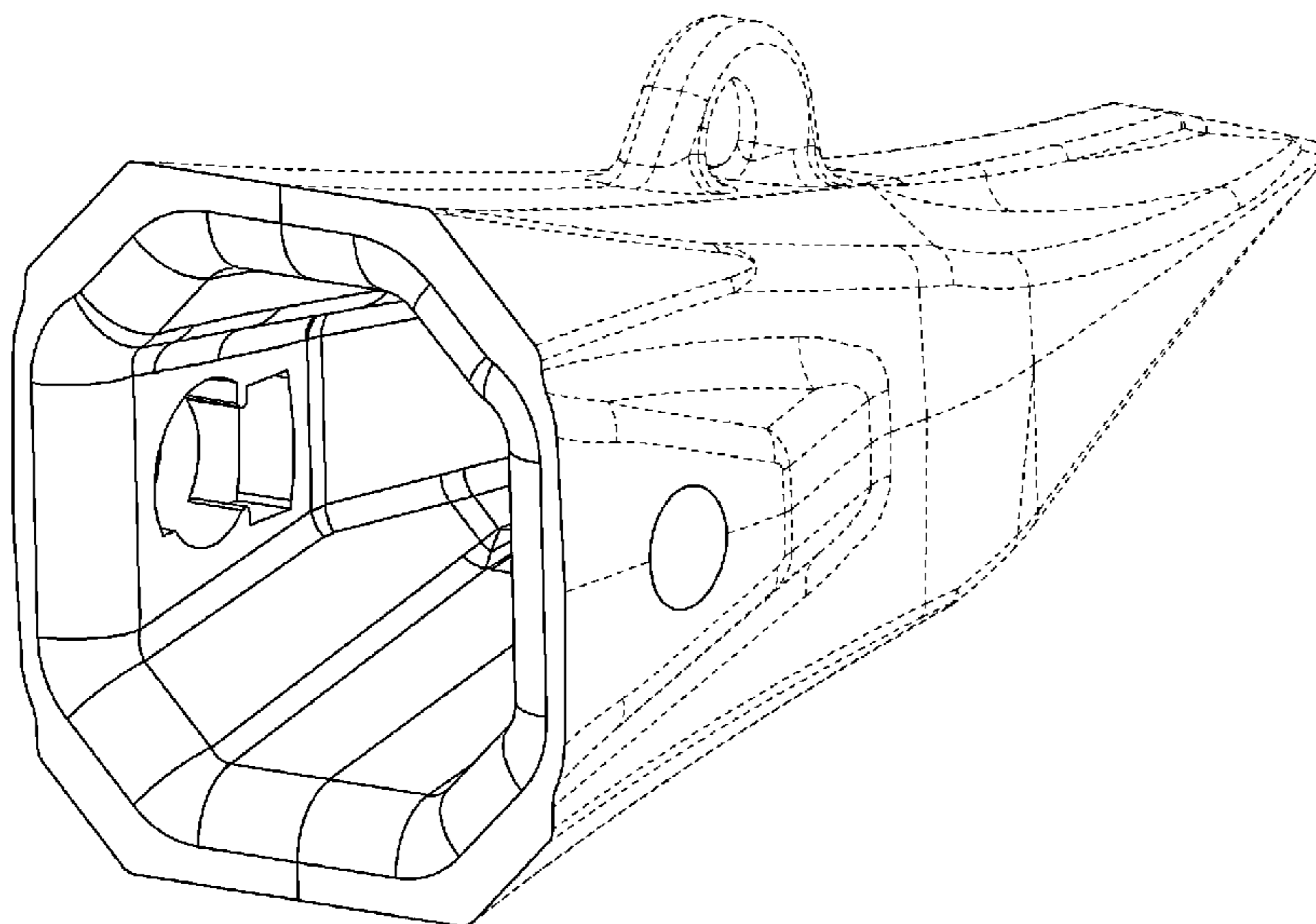
(57) **CLAIM**

We claim the ornamental design for a part for excavator bucket, as shown and described.

DESCRIPTION

FIG. 1 is a right side perspective view of a part for excavator bucket, showing our new design.
FIG. 2 is a front elevational view thereof;
FIG. 3 is a rear elevational view thereof;
FIG. 4 is a left side elevational view thereof;
FIG. 5 is a right side elevational view thereof;
FIG. 6 is a top plan view thereof;
FIG. 7 is a bottom plan view thereof;
FIG. 8 is a cross-sectional view taken along line 8-8 in FIG. 2;
FIG. 9 is a cross-sectional view taken along line 9-9 in FIG. 2; and,
FIG. 10 is a left side perspective view thereof.
The broken lines in the drawings show portions of the part for excavator bucket that forms no part of the claimed design.

1 Claim, 7 Drawing Sheets



(56)

References Cited

U.S. PATENT DOCUMENTS

D832,310	S	*	10/2018	Balan	D15/28
D840,441	S	*	2/2019	Serrurier	D15/28
D857,761	S	*	8/2019	Balan	D15/28
D924,943	S	*	7/2021	Wells	D15/28
D925,614	S	*	7/2021	McCaffrey	D15/28
D925,615	S	*	7/2021	McCaffrey	D15/28
D941,366	S	*	1/2022	Wells	D15/28
D945,498	S	*	3/2022	Sinn	D15/28
D957,472	S	*	7/2022	McCaffrey	D15/28
2014/0352182	A1	*	12/2014	LaHood	E02F 9/2833 37/455
2017/0328038	A1	*	11/2017	Campomanes	E02F 9/2883
2018/0080200	A1	*	3/2018	Hughes	E02F 9/2891

* cited by examiner

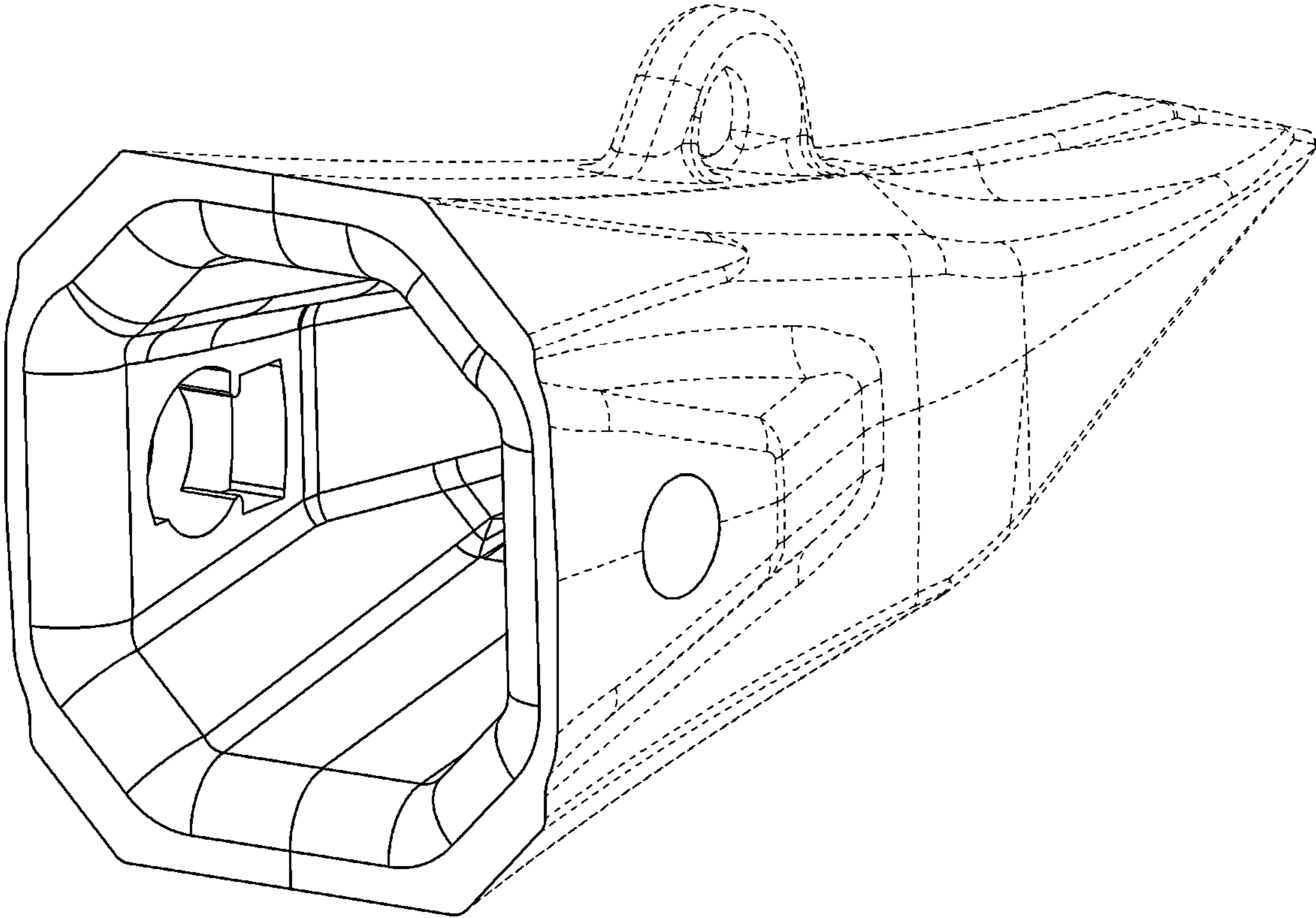


FIG. 1

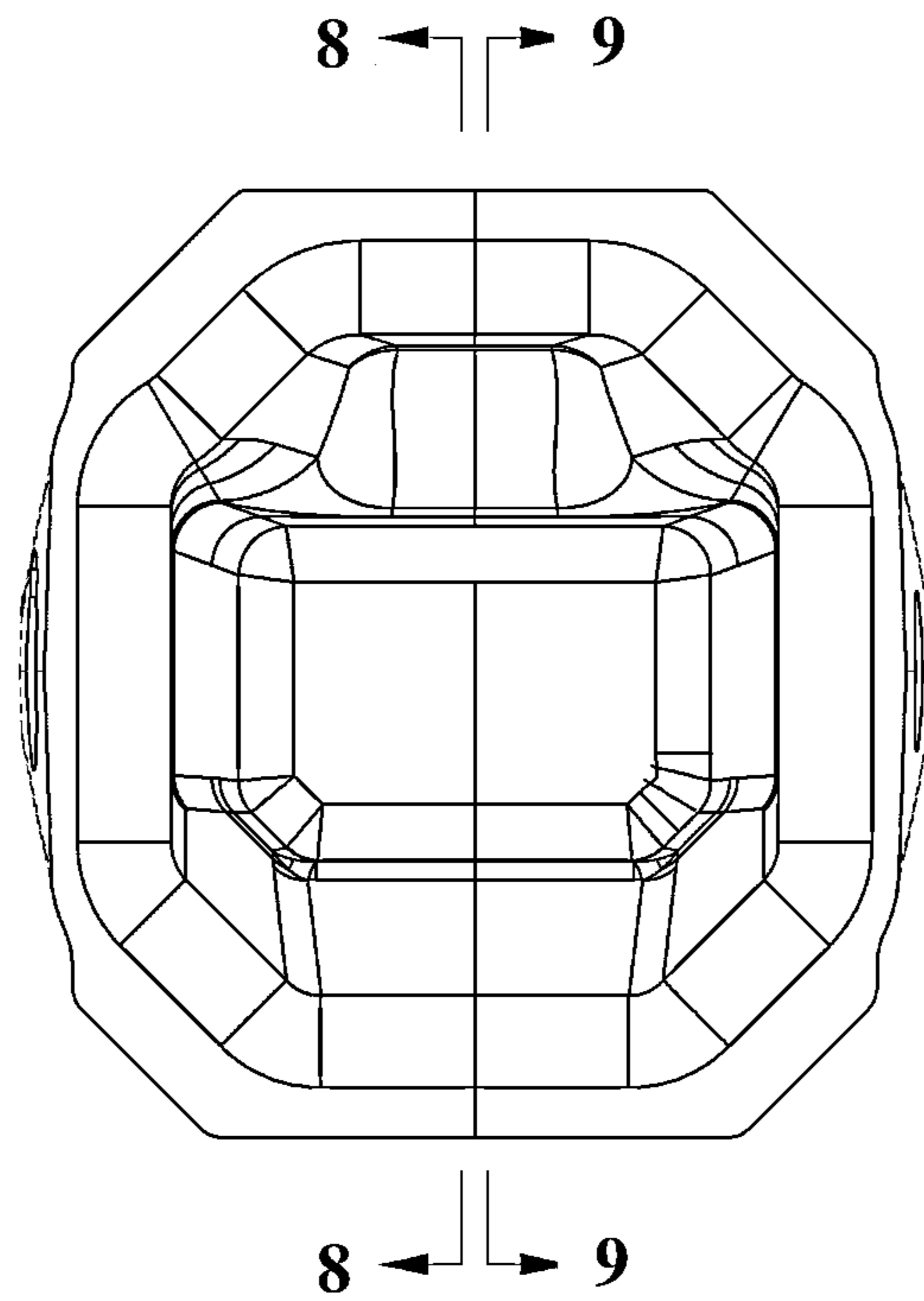


FIG. 2

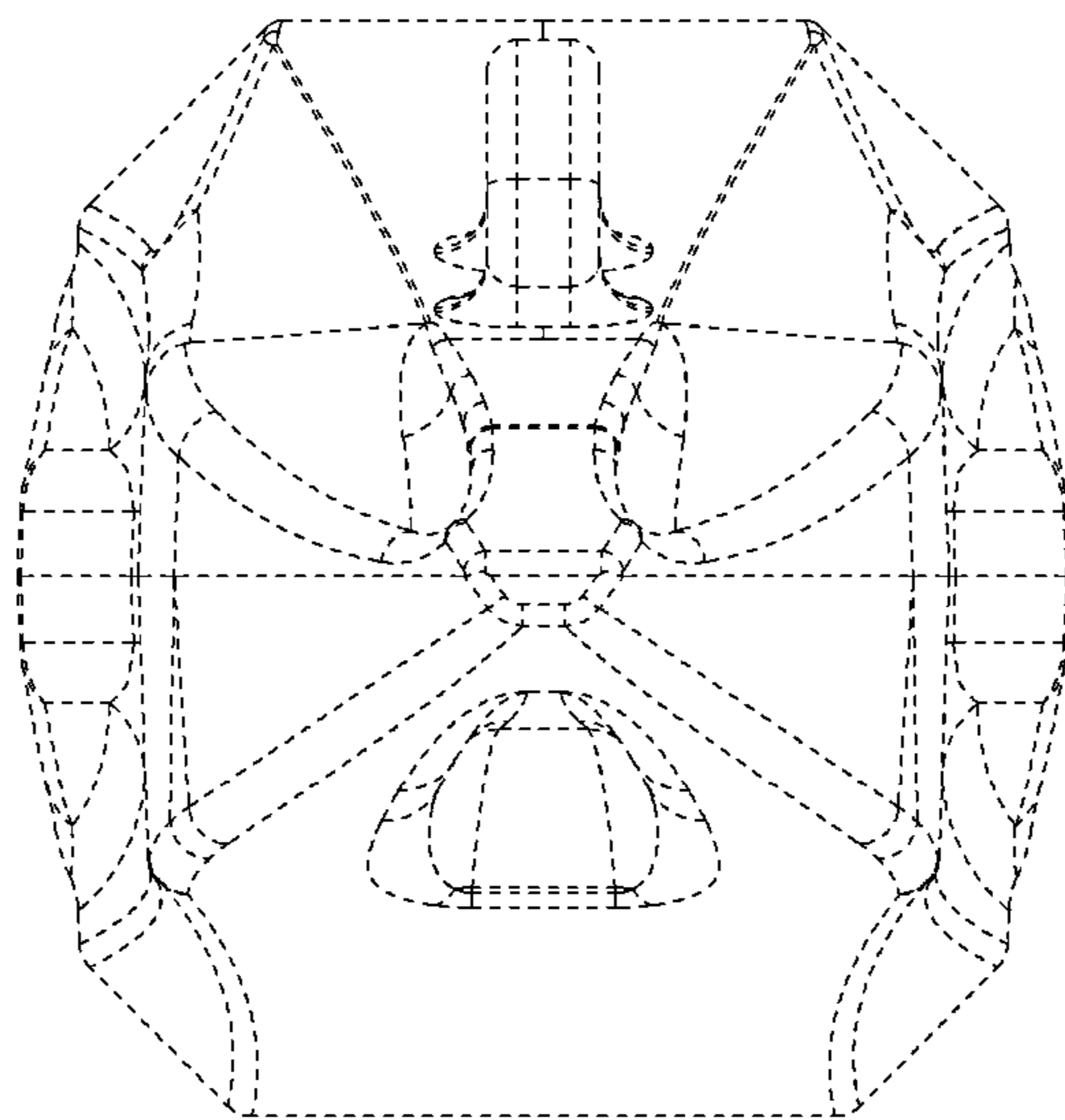


FIG. 3

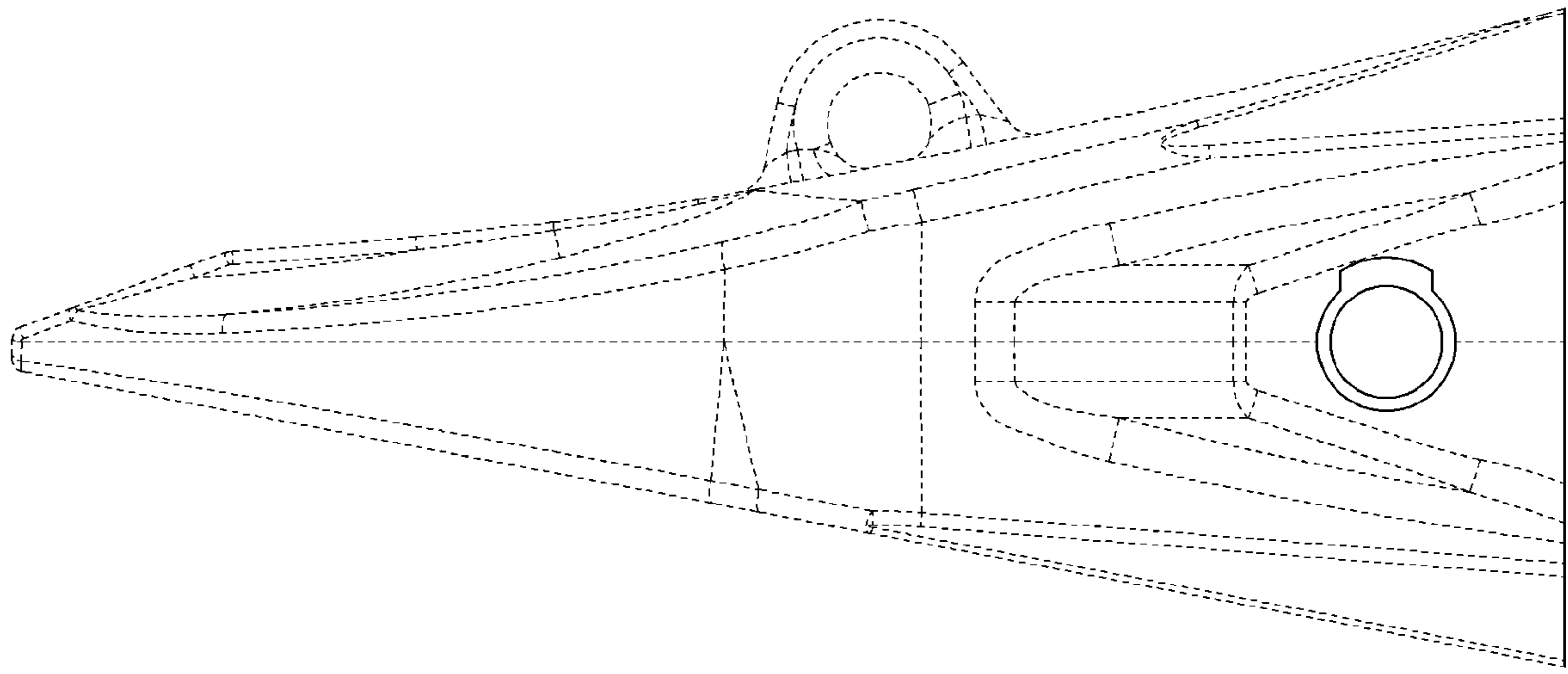


FIG. 4

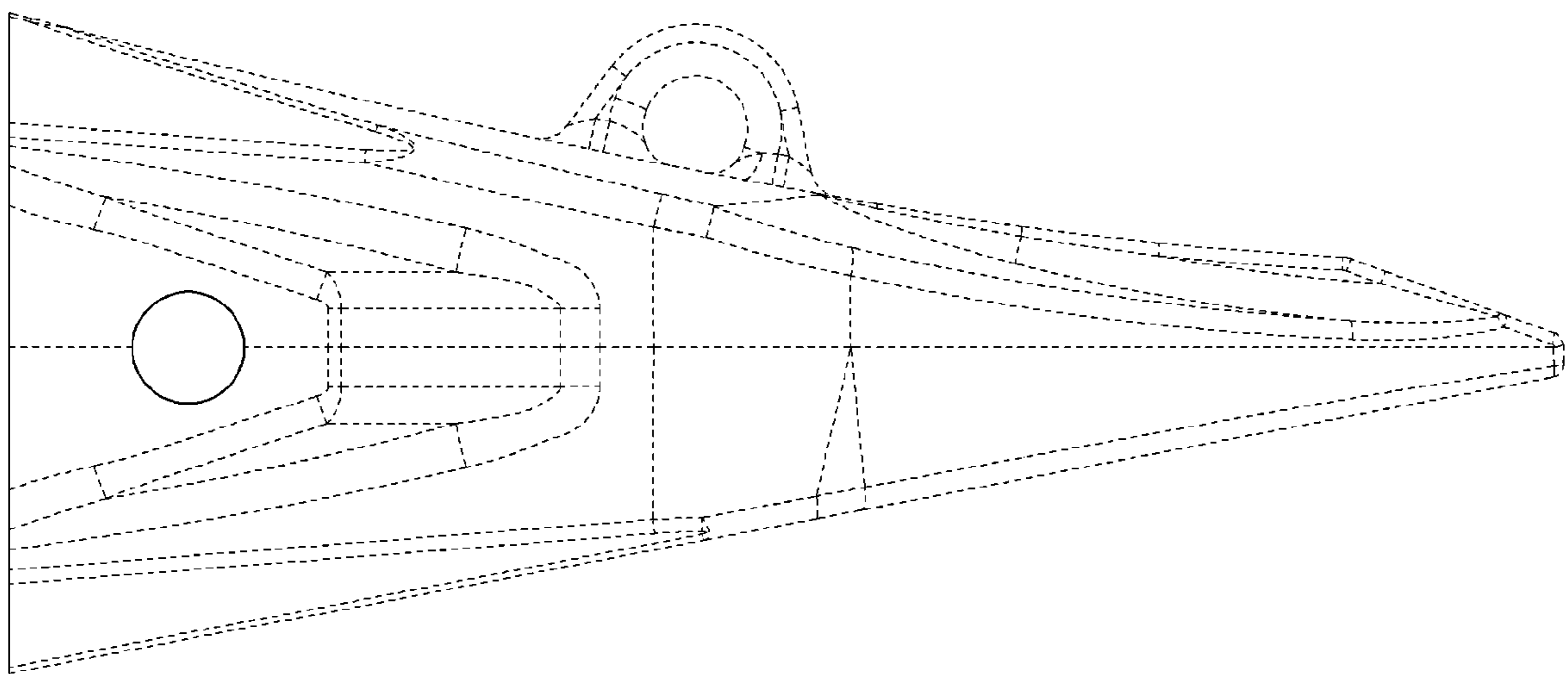


FIG. 5

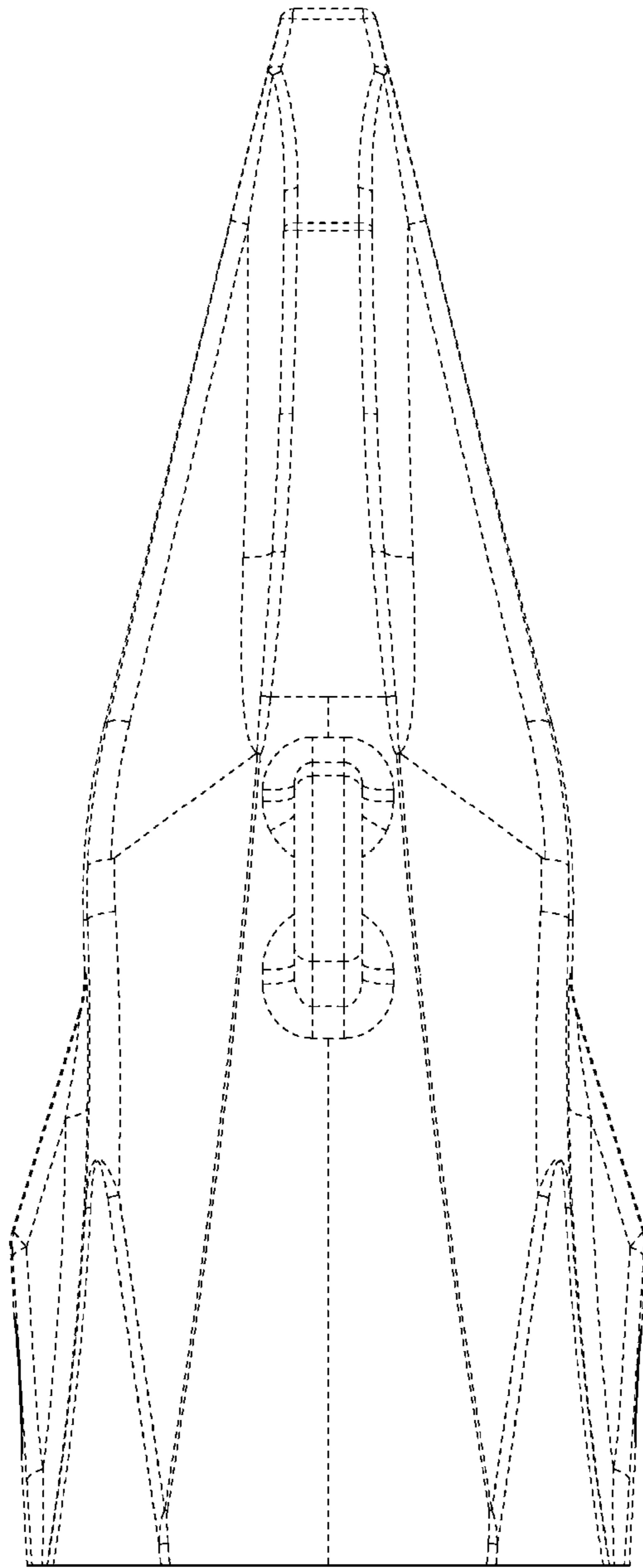


FIG. 6

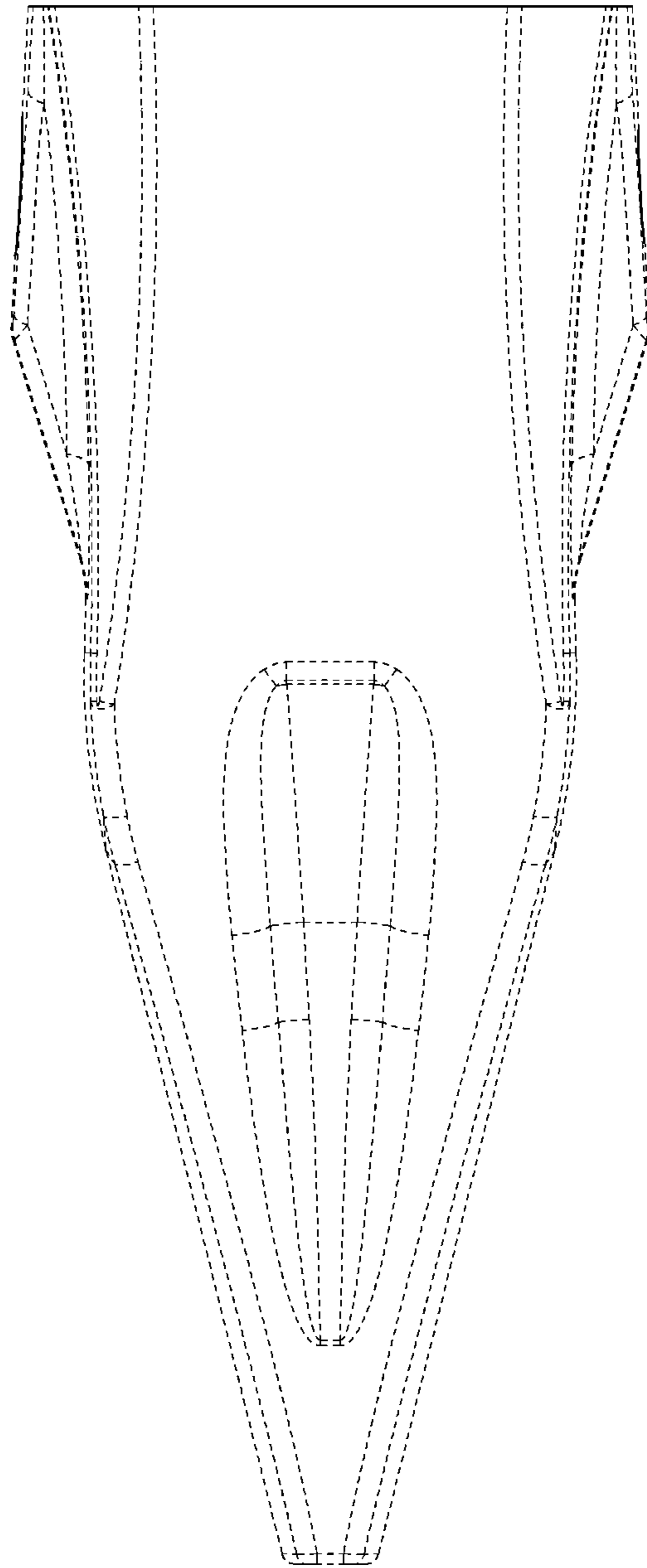


FIG. 7

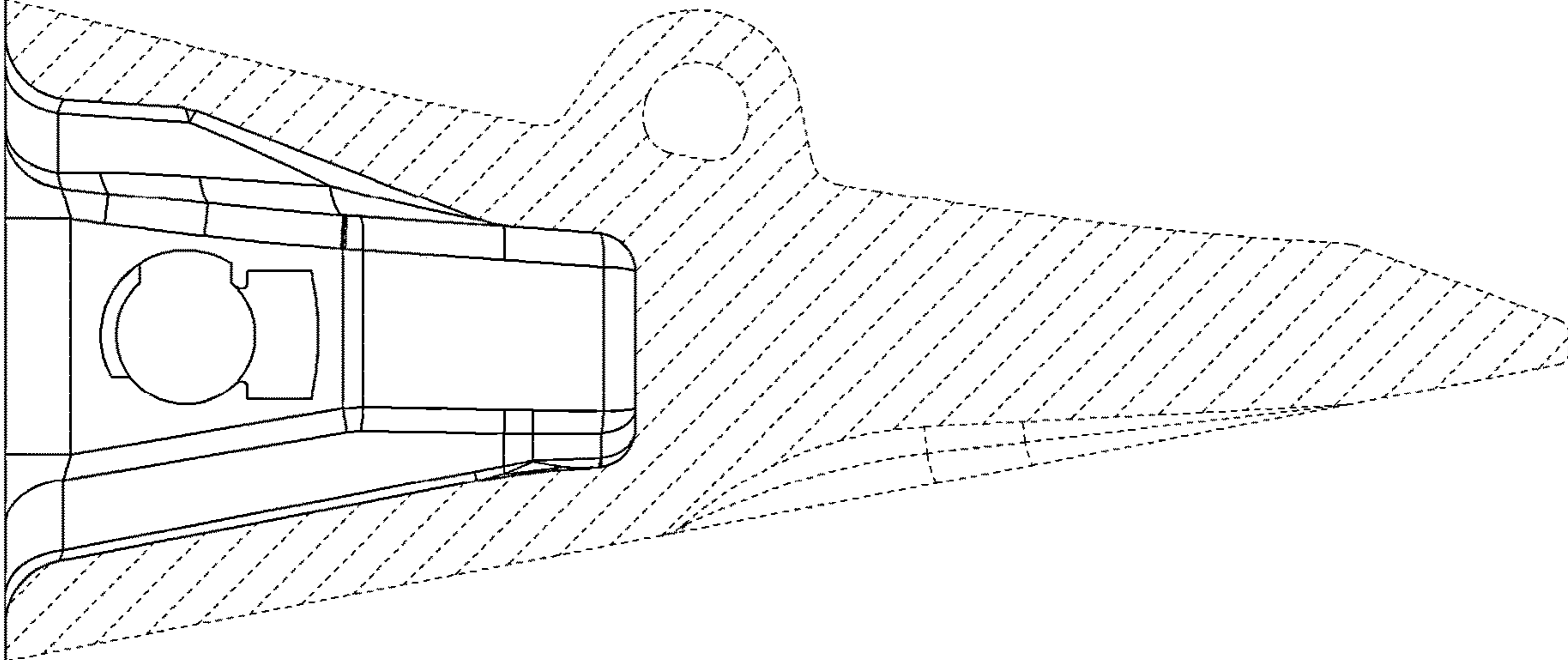


FIG. 8

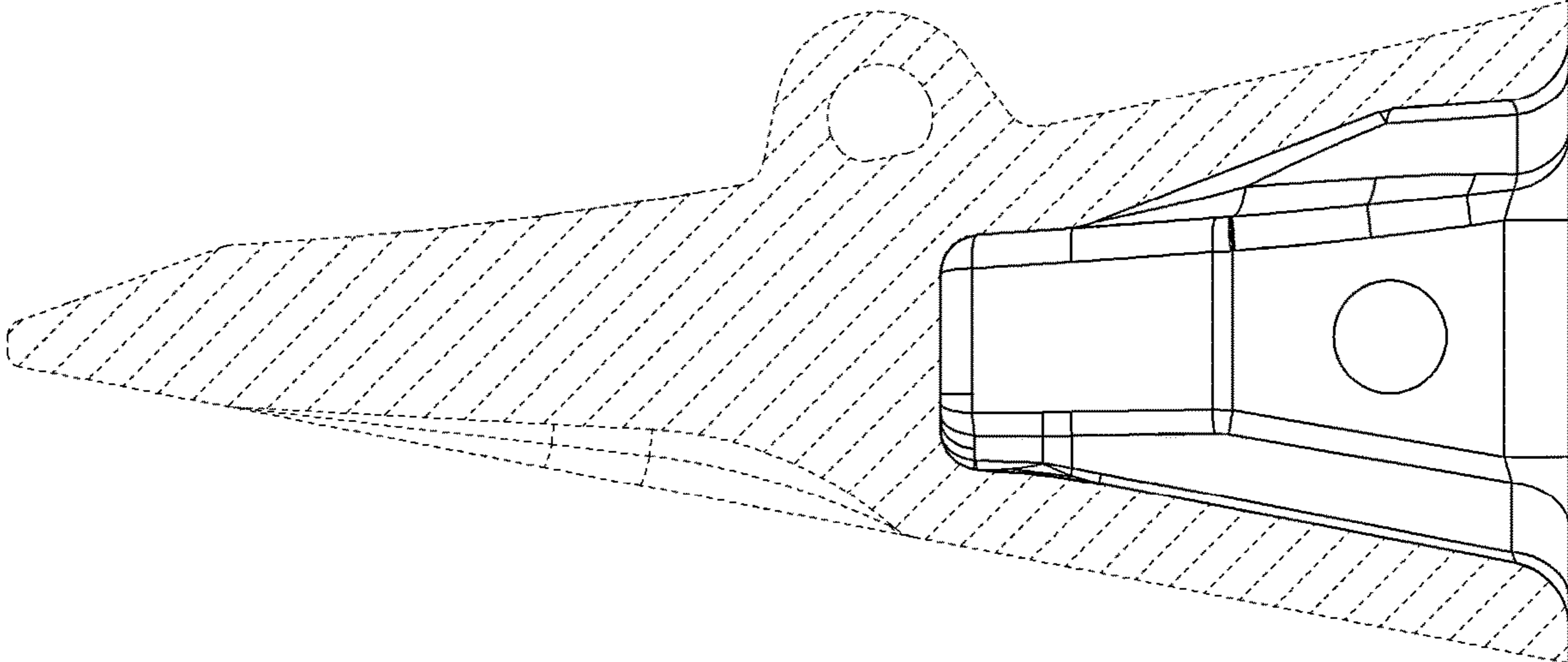


FIG. 9

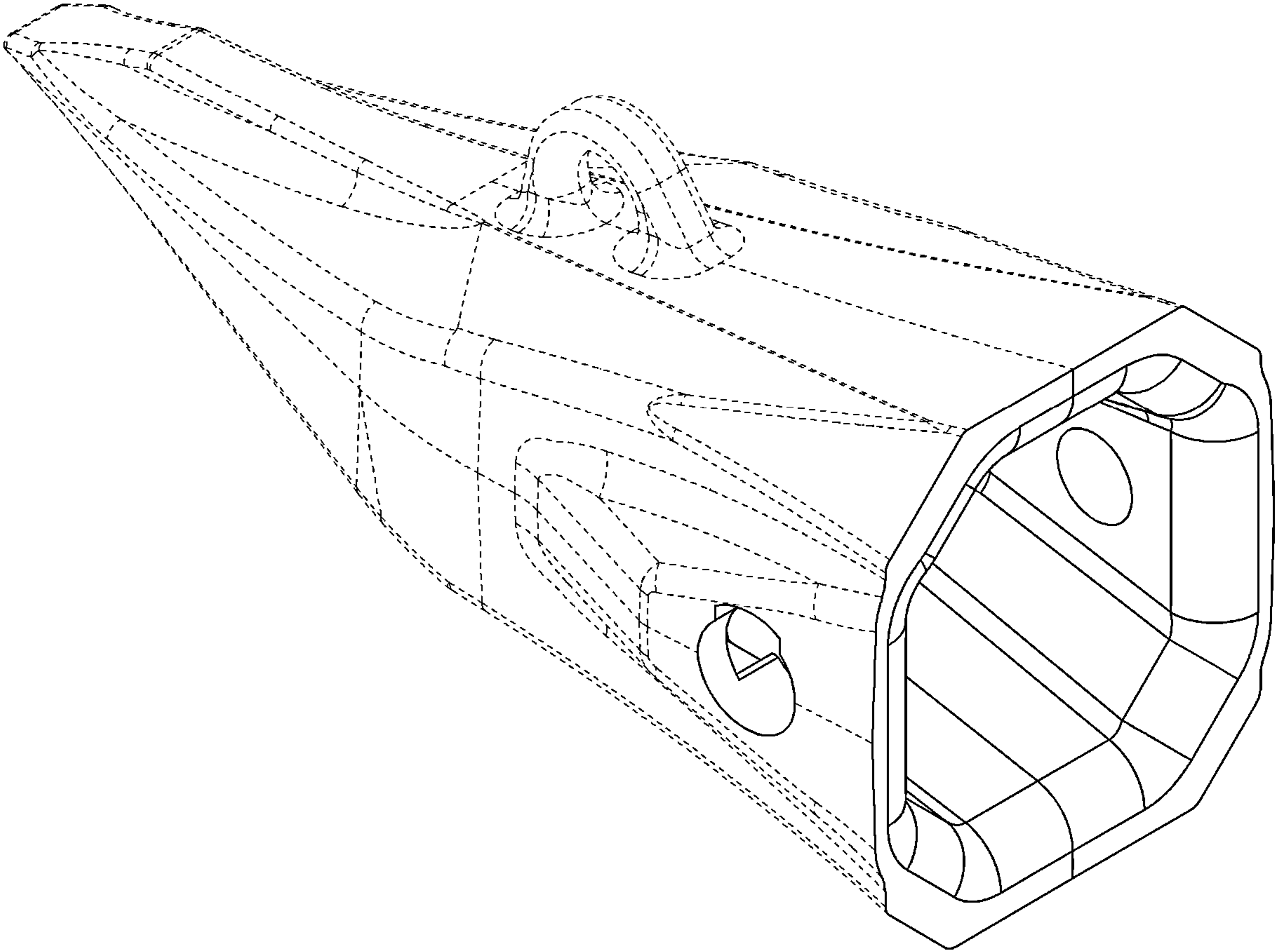


FIG. 10