



US00D973108S

(12) **United States Design Patent** (10) **Patent No.:** **US D973,108 S**  
**Song et al.** (45) **Date of Patent:** **\*\* Dec. 20, 2022**

(54) **PART FOR EXCAVATOR BUCKET**

(71) Applicant: **SUNGBO INDUSTRIAL CO., LTD.**,  
Incheon (KR)

(72) Inventors: **Keun Chul Song**, Seoul (KR); **Dae Hyun Ryu**, Incheon (KR); **Hyun Soo Lee**, Incheon (KR); **Chang Woo Lim**, Incheon (KR)

(73) Assignee: **SUNGBO INDUSTRIAL CO., LTD.**,  
Incheon (KR)

(\*\*) Term: **15 Years**

(21) Appl. No.: **29/787,200**

(22) Filed: **Jun. 4, 2021**

(30) **Foreign Application Priority Data**

Dec. 4, 2020 (KR) ..... 30-2020-0059855

(51) **LOC (13) Cl.** ..... **15-03**

(52) **U.S. Cl.**  
USPC ..... **D15/28**

(58) **Field of Classification Search**  
USPC ..... D15/11, 28, 29; 37/456, 452, 450, 446, 37/454, 449, 453, 455, 903; 403/379.5, 403/DIG. 1; 111/152; 172/724, 730, 172/766, 770, 771, 721, 713, 699, 772  
CPC ..... Y10T 29/49826; Y10T 29/49947; Y10T 403/589; Y10T 403/7018; Y10T 403/7075; Y10T 403/587; E02F 9/28; E02F 9/2825; E02F 9/2833; E02F 9/2866; E02F 9/2858; E02F 9/2808; E02F 9/2841; F16B 19/02; F16B 37/00; F16B 21/02; Y10S 411/967

See application file for complete search history.

(56) **References Cited**

**U.S. PATENT DOCUMENTS**

D291,087 S \* 7/1987 Salmi ..... D15/138  
5,992,063 A \* 11/1999 Mack ..... E02F 9/2833  
37/456

7,162,818 B2 \* 1/2007 Ruvang ..... E02F 9/2841  
37/456  
D614,476 S \* 4/2010 Buhse ..... D8/343  
D634,605 S \* 3/2011 Guimaraes ..... D8/343  
D644,249 S \* 8/2011 Tapper ..... D15/5  
8,904,677 B2 \* 12/2014 Cui ..... E02F 9/2833  
37/456  
8,997,384 B2 \* 4/2015 Bartolome Rodriguez .....  
E02F 9/2833  
37/456  
9,085,876 B2 \* 7/2015 Swinscoe ..... E02F 9/2833  
D736,267 S \* 8/2015 Parks ..... D15/28  
RE45,710 E \* 10/2015 Guimaraes ..... D8/343  
D743,446 S \* 11/2015 Jones ..... D15/21  
D754,756 S \* 4/2016 Jones ..... D15/21  
D770,540 S \* 11/2016 Parks ..... D15/28  
D812,108 S \* 3/2018 Jones ..... D15/21  
10,190,290 B2 \* 1/2019 Gandy ..... E02F 9/2841  
2008/0209772 A1 \* 9/2008 Cui ..... E02F 9/2841  
37/456

(Continued)

*Primary Examiner* — Mark A Goodwin

(74) *Attorney, Agent, or Firm* — Novick, Kim & Lee  
PLLC; Jae Youn Kim

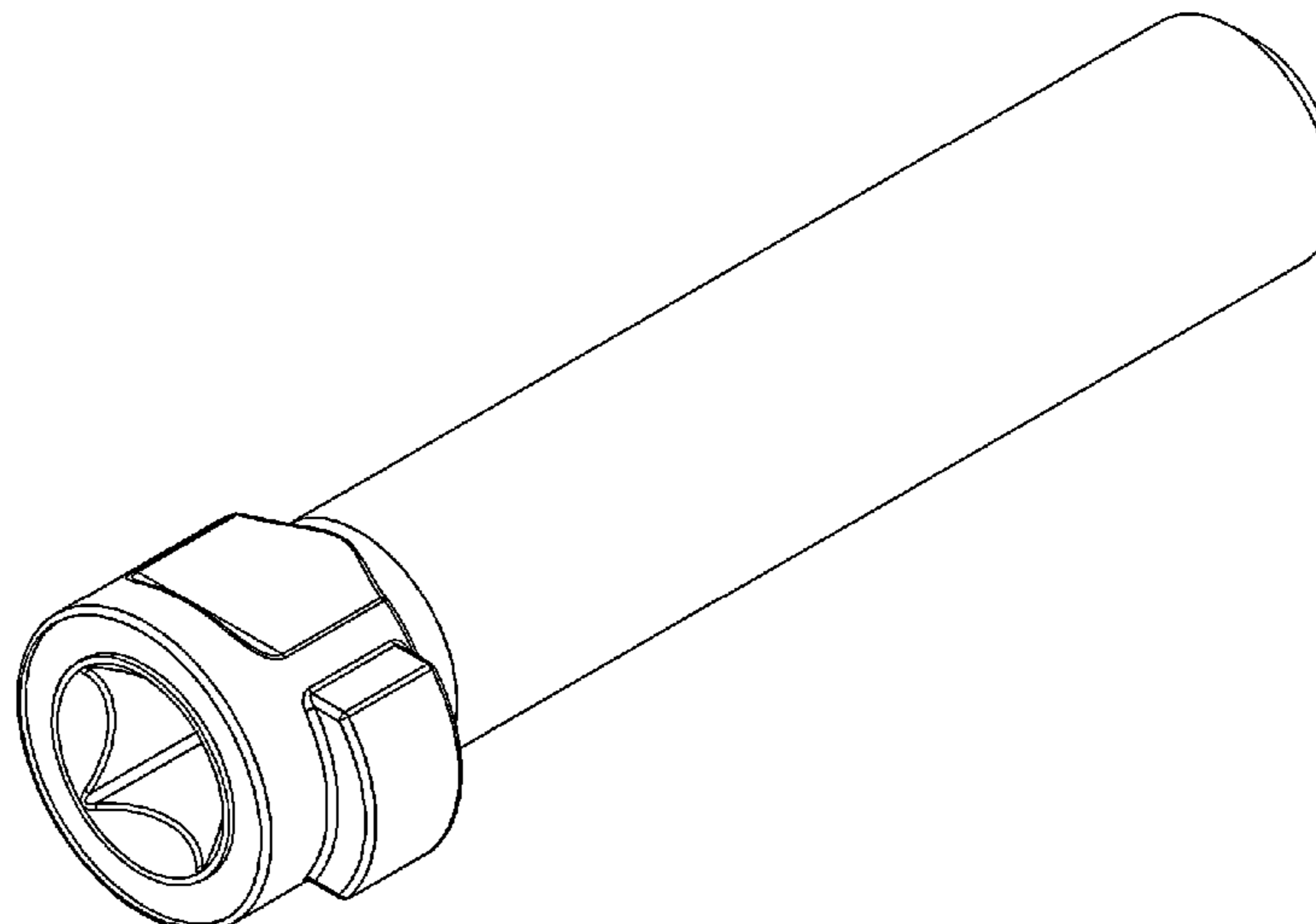
(57) **CLAIM**

We claim the ornamental design for a part for excavator bucket, as shown and described.

**DESCRIPTION**

FIG. 1 is a perspective view of a part for excavator bucket, showing our new design.  
FIG. 2 is a front elevational view thereof;  
FIG. 3 is a rear elevational view thereof;  
FIG. 4 is a left side elevational view thereof;  
FIG. 5 is a right side elevational view thereof;  
FIG. 6 is a top plan view thereof; and,  
FIG. 7 is a bottom plan view thereof.

**1 Claim, 5 Drawing Sheets**



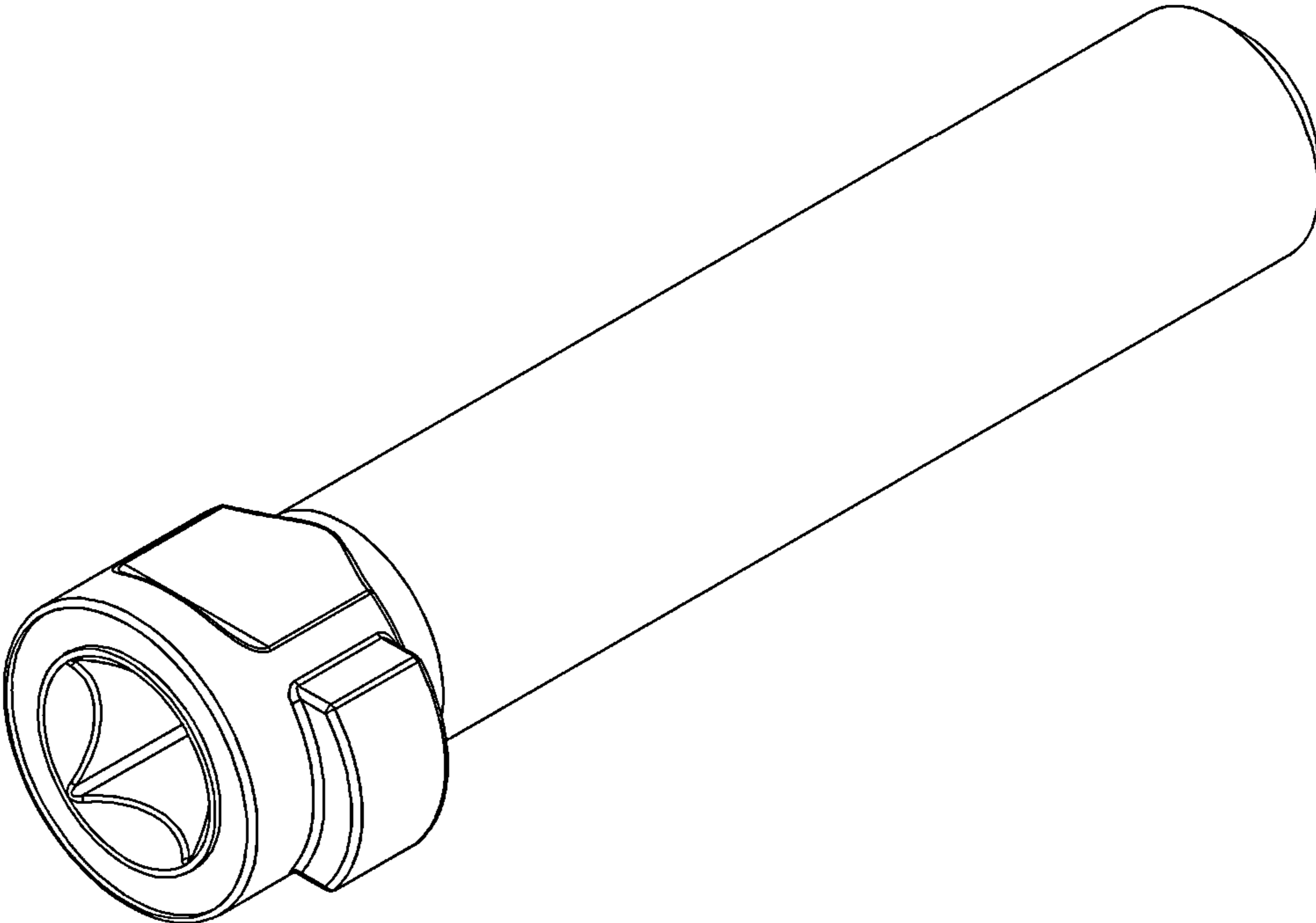
(56)

**References Cited**

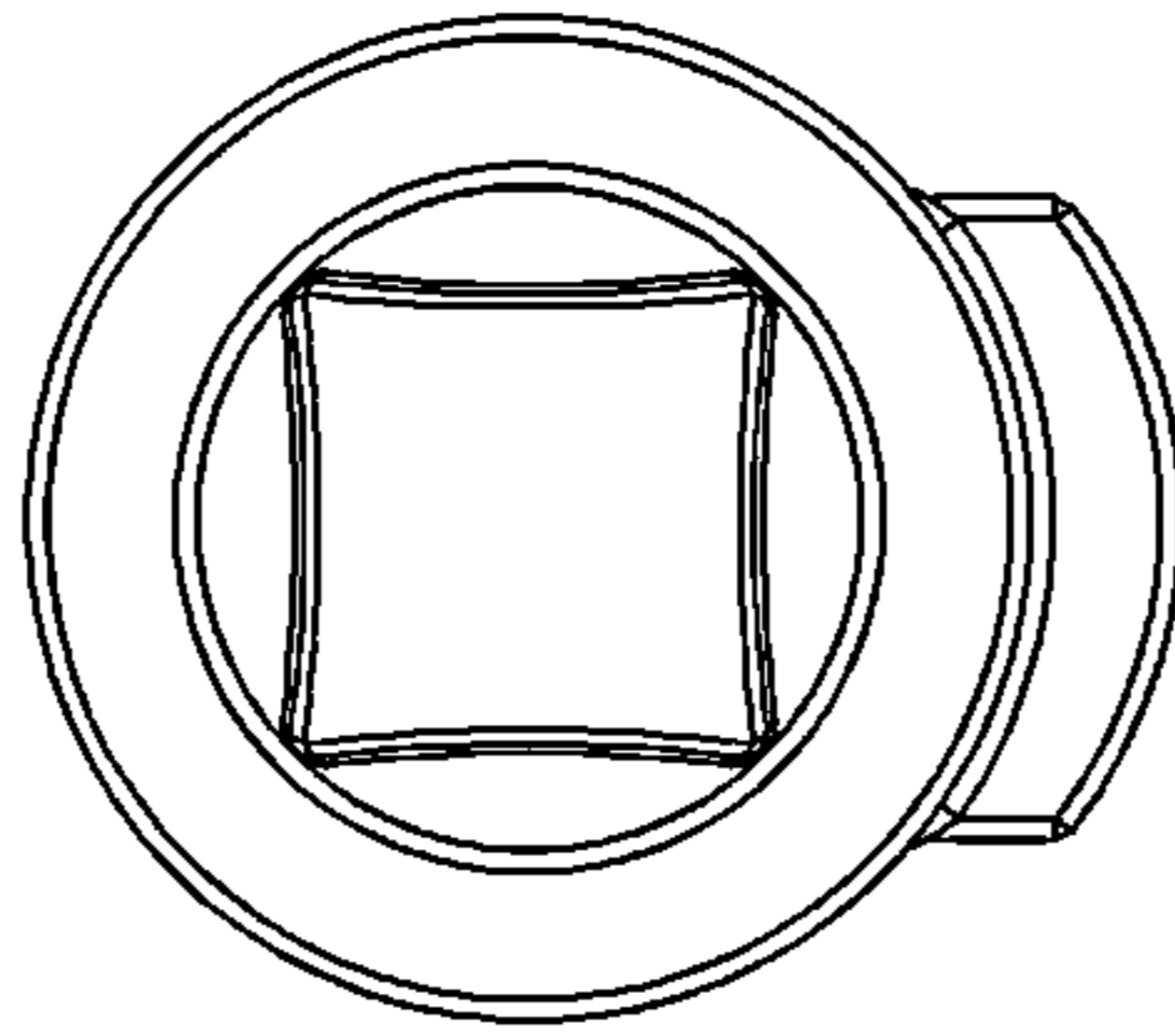
U.S. PATENT DOCUMENTS

2009/0205228 A1\* 8/2009 Ruvang ..... E02F 9/2833  
37/456  
2010/0162595 A1\* 7/2010 Leslie ..... E02F 9/2841  
37/456  
2010/0170119 A1\* 7/2010 Lopez Almendros .....  
E02F 9/2825  
37/456  
2010/0229433 A1\* 9/2010 Leslie ..... E02F 9/2841  
37/456  
2017/0079219 A1\* 3/2017 Stanley ..... B02C 18/184

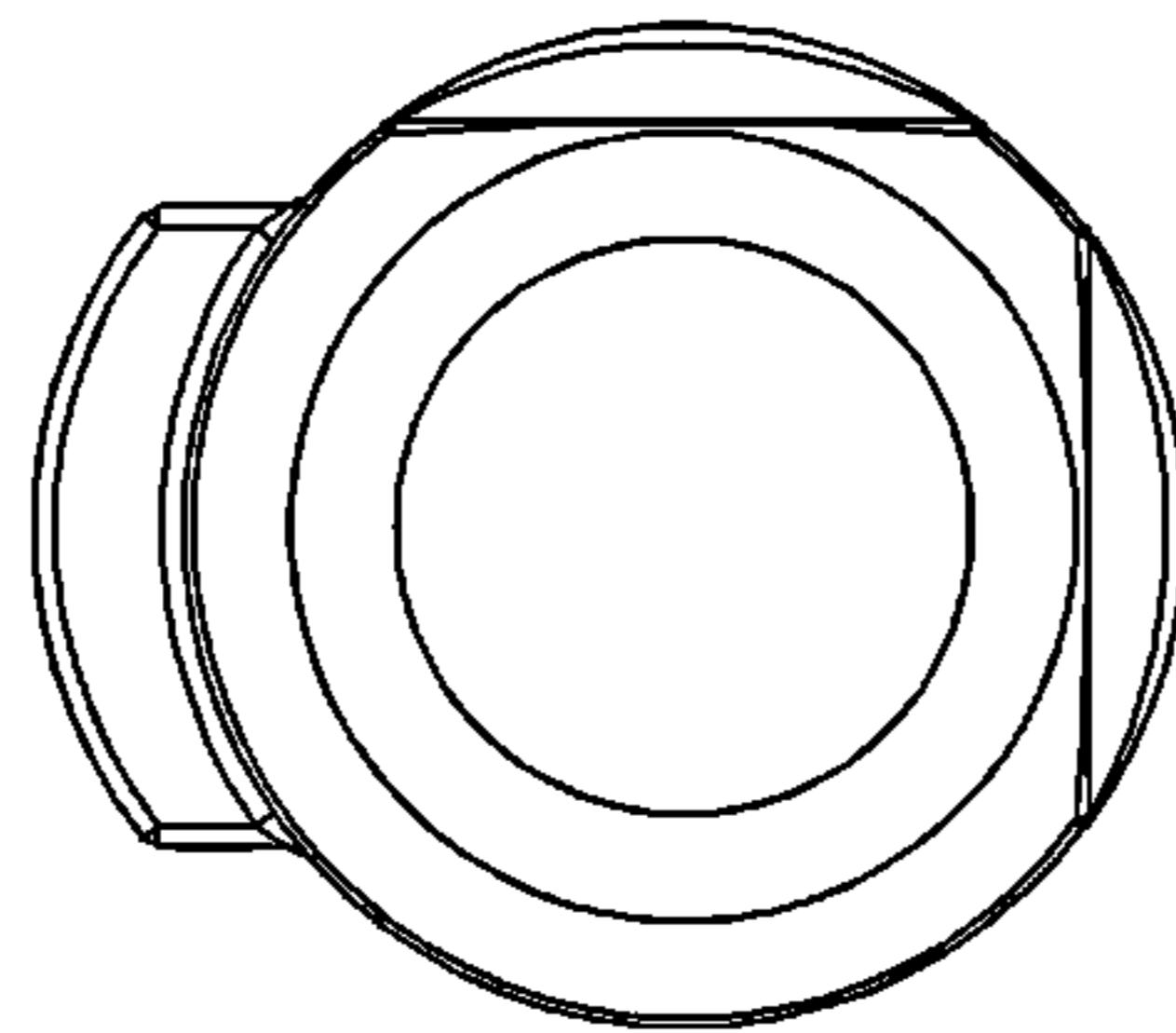
\* cited by examiner



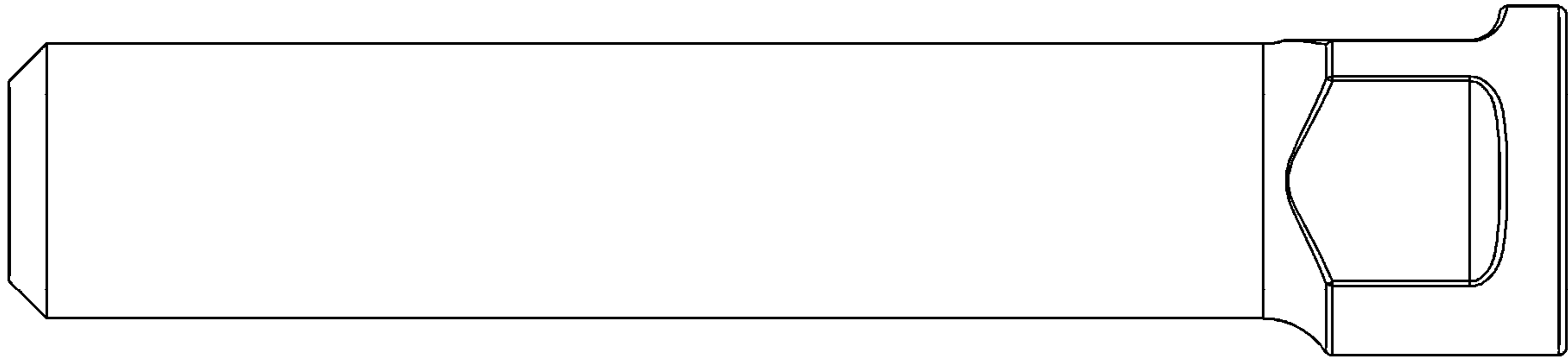
**FIG. 1**



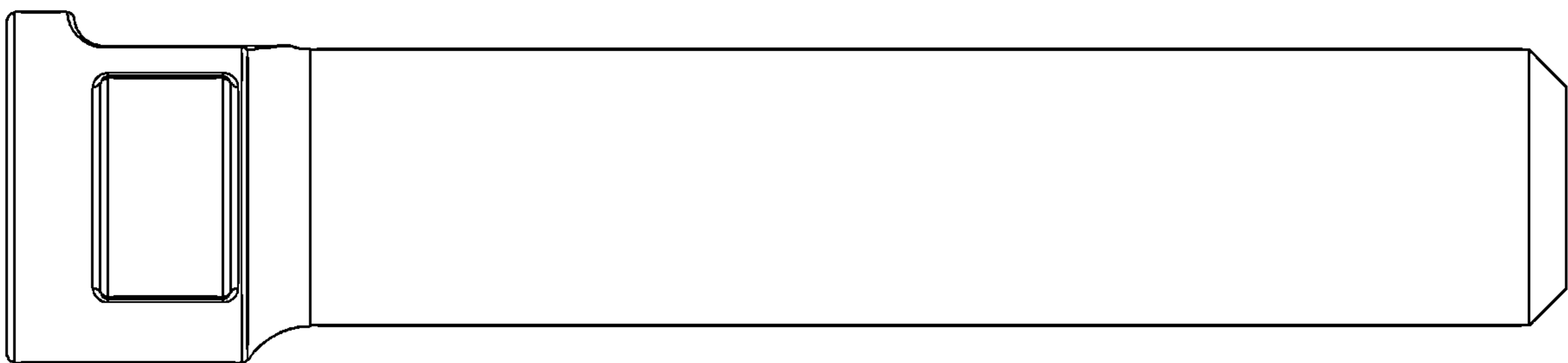
**FIG. 2**



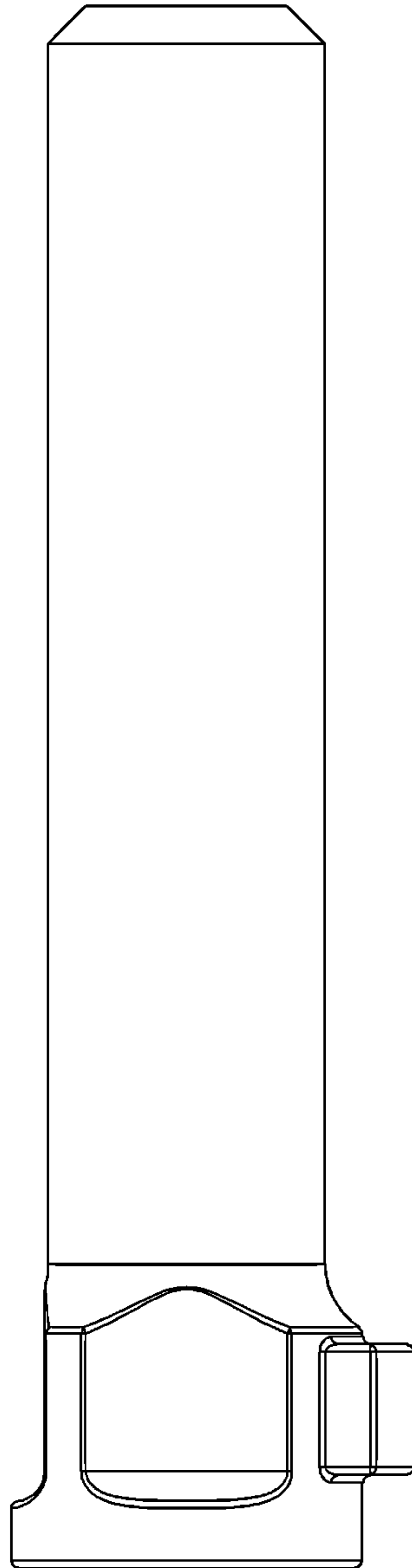
**FIG. 3**



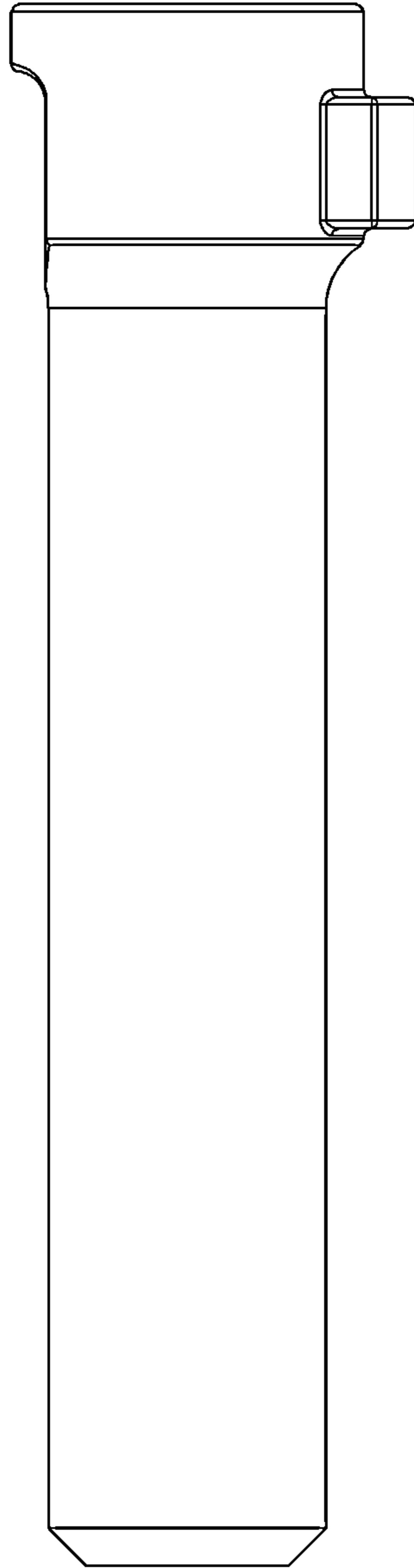
**FIG. 4**



**FIG. 5**



**FIG. 6**



**FIG. 7**