



US00D973106S

(12) **United States Design Patent**
Deng et al.

(10) **Patent No.: US D973,106 S**

(45) **Date of Patent: ** Dec. 20, 2022**

(54) **BLAST PUMP**

D740,374 S * 10/2015 Min D21/433
D827,037 S * 8/2018 Exley D21/548
D852,899 S * 7/2019 Langberg D21/549

(Continued)

(71) Applicant: **Shenzhen Juneng Vehicle Technology CO., LTD.**, Shenzhen (CN)

(72) Inventors: **Haiquan Deng**, Shenzhen (CN);
Longlin Chen, Shenzhen (CN)

(73) Assignee: **Shenzhen Juneng Vehicle Technology CO., LTD.**, Shenzhen (CN)

(**) Term: **15 Years**

(21) Appl. No.: **29/764,014**

(22) Filed: **Dec. 28, 2020**

(30) **Foreign Application Priority Data**

Oct. 15, 2020 (CN) 202030614572.5

(51) **LOC (13) Cl.** **15-02**

(52) **U.S. Cl.**

USPC **D15/9**; D15/7

(58) **Field of Classification Search**

USPC D15/7-9; D21/424-426, 433, 548-551,
D21/581

CPC F04B 53/14; F04B 53/92; F04B 33/00;
F04B 33/005; F04B 1/005; F04D 13/06;
F04D 29/22; F04D 29/046; F04D
29/2266; F16K 11/048; F16K 15/20;
F16K 31/602

See application file for complete search history.

(56) **References Cited**

U.S. PATENT DOCUMENTS

D402,997 S * 12/1998 Campbell D15/7
D432,138 S * 10/2000 Scarth D15/7
D631,921 S * 2/2011 Simko D21/433
D643,900 S * 8/2011 Utegaard D21/782
D667,509 S * 9/2012 Mimlitch, III D21/550
D679,762 S * 4/2013 Lee D21/550
D700,248 S * 2/2014 Proulx D21/548

OTHER PUBLICATIONS

PXQ, Digital Tyre Inflator—Portable Waterproof Air Compressor Pump 12V 120W 150PSI, (site visited Jul. 11, 2022), Amazon.com, URL:<<https://www.amazon.com/Inflator-Waterproof-Compressor-Basketballs-Inflatables/dp/B07SBR1TQF>> (Year: 2022).*

(Continued)

Primary Examiner — Calvin E Vansant

Assistant Examiner — Mark T. Philipps

(74) *Attorney, Agent, or Firm* — Banner & Witcoff, Ltd.

(57) **CLAIM**

The ornamental design for a blast pump, as shown and described.

DESCRIPTION

FIG. 1 is a side perspective view of the new design of a blast pump;

FIG. 2 is another side perspective view thereof;

FIG. 3 is a front elevation view thereof;

FIG. 4 is a rear elevation view thereof;

FIG. 5 is a right side view thereof;

FIG. 6 is a left side view thereof;

FIG. 7 is a top view thereof;

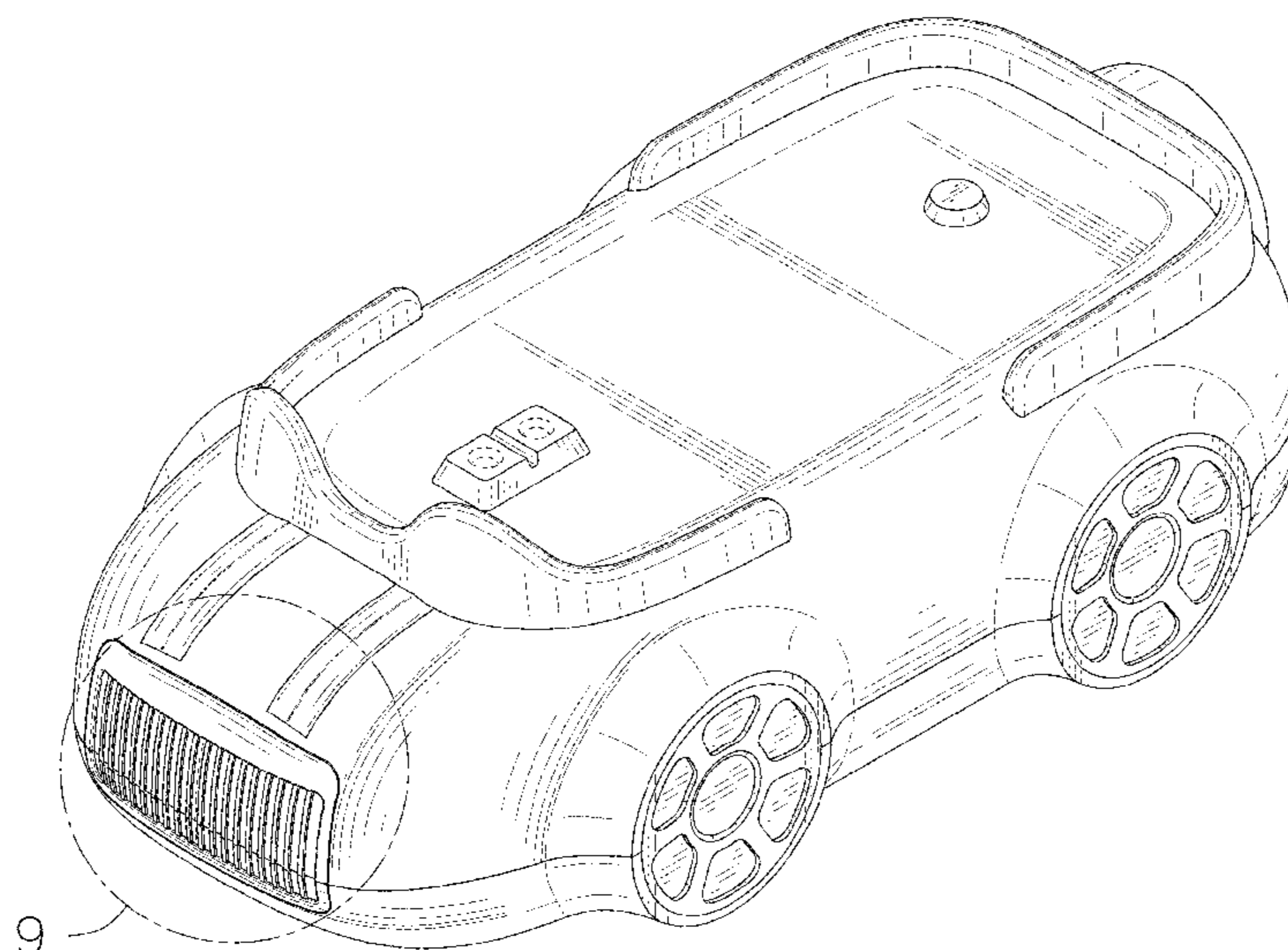
FIG. 8 is a bottom view thereof; and,

FIG. 9 is a partially enlarged view thereof, illustrating a portion of the blast pump identified by reference numeral 9 in FIG. 1.

The broken (dashed) lines show portions of the blast pump that form no part of the claimed design.

The short dash long dash lines found on FIGS. 1 and 9 depict the bounds of the enlargement region, taken from FIG. 1 to be enlarged on FIG. 9, and form no part of the claimed design.

1 Claim, 9 Drawing Sheets



(56)

References Cited

U.S. PATENT DOCUMENTS

D916,201 S * 4/2021 Zemskov D21/433
D926,891 S * 8/2021 Khubani D21/549

OTHER PUBLICATIONS

Juneng, JNCP-PCDQ1 Jump Starter, Car Washing Water Gun, On Board Air Pump, Car Vacuum Cleaner, (site visited Jul. 11, 2022), Alibaba.com, URL:<https://www.alibaba.com/product-detail/Lithium-Battery-Car-Washer-Wash-Sprayer_1600548164051.html?spm=a2700.shop_plgr.41413.9.569c58e1YzMIK8> (Year: 2022).*

* cited by examiner

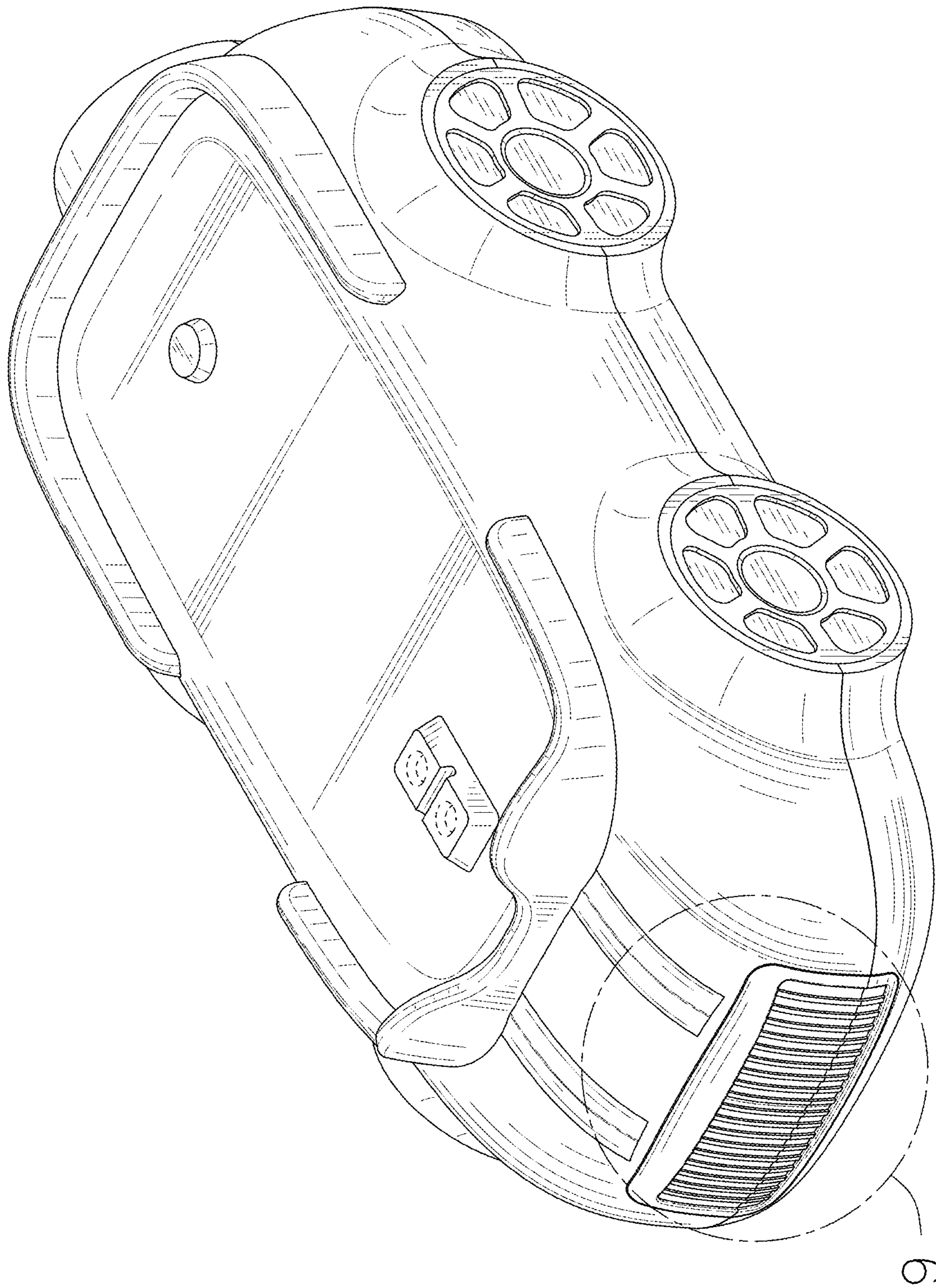


FIG. 1

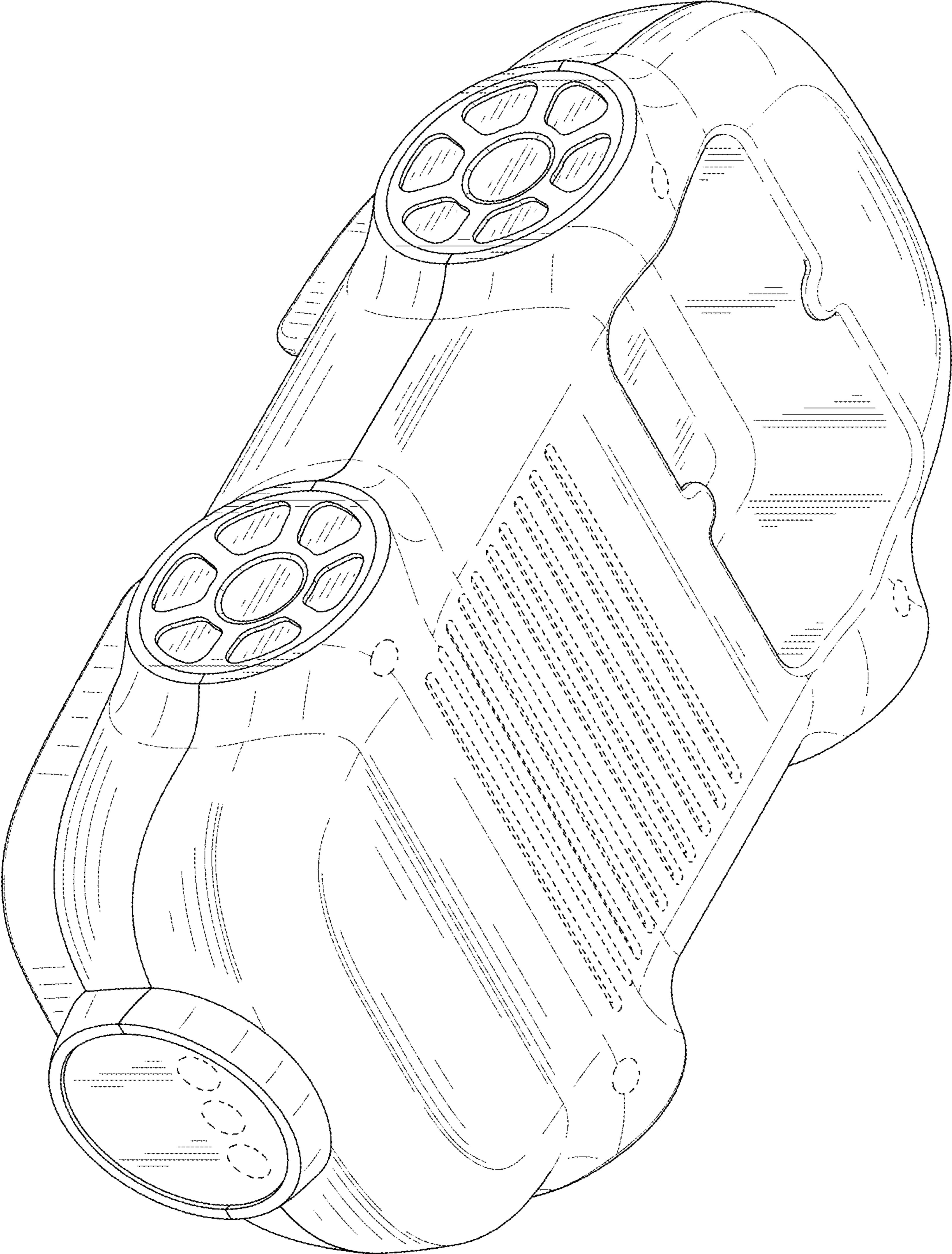


FIG. 2

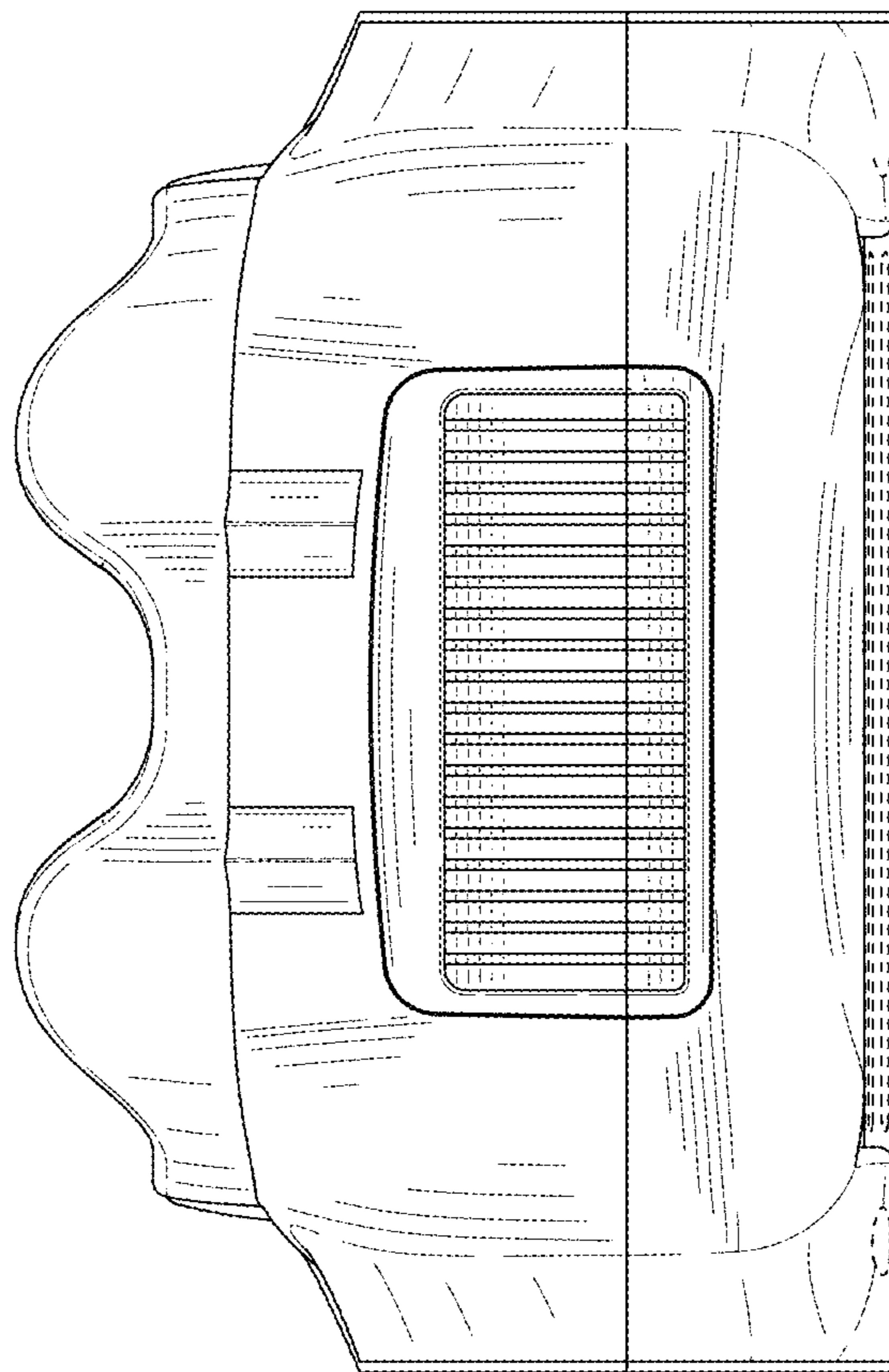


FIG. 3

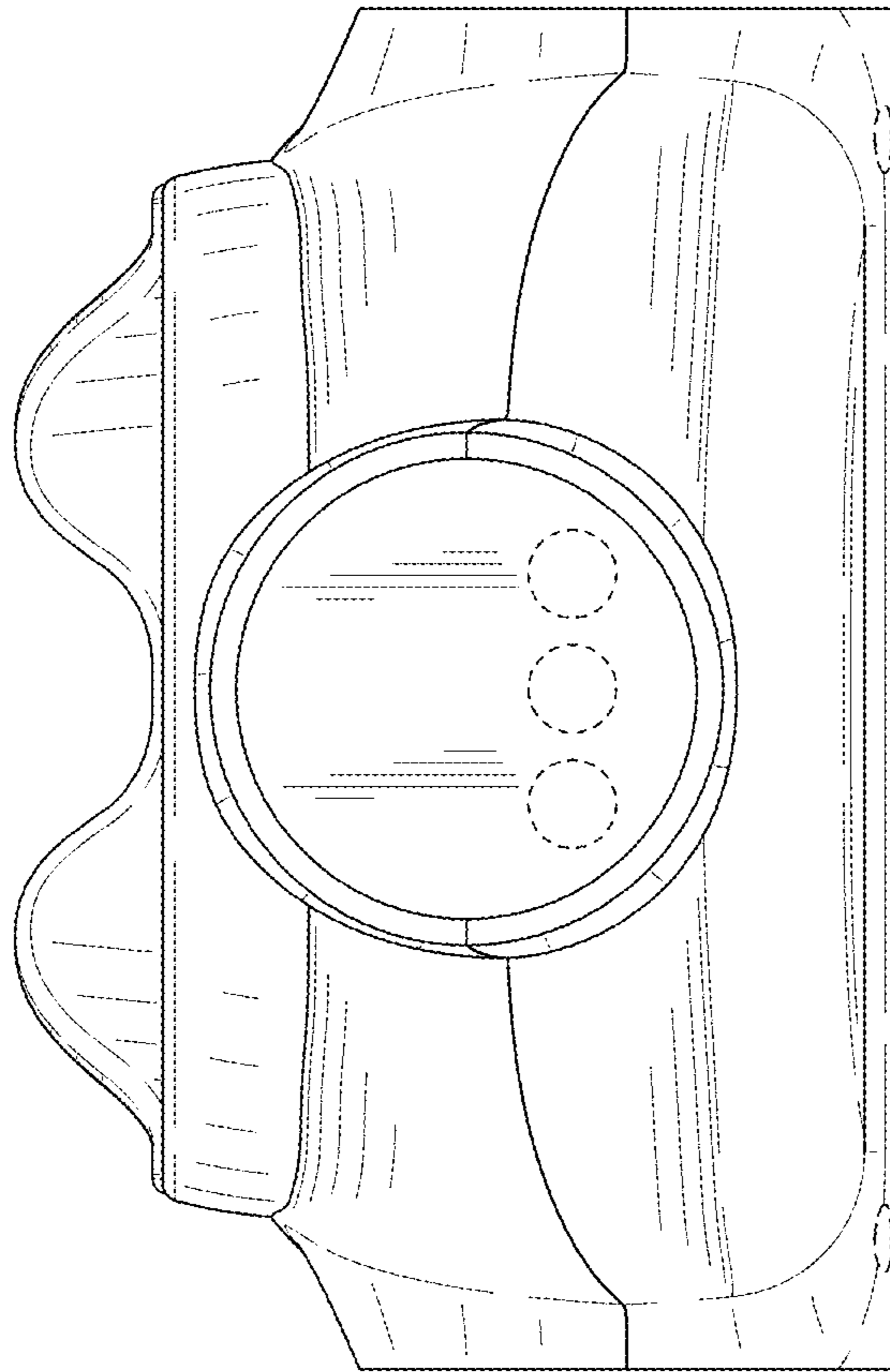


FIG. 4

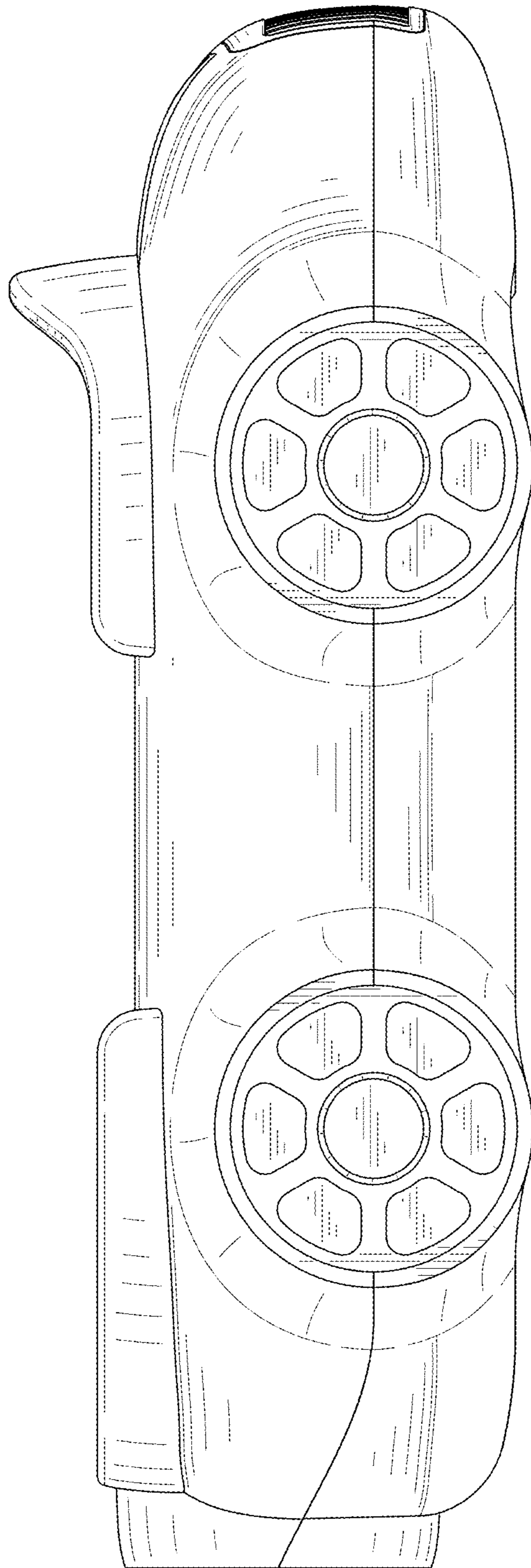


FIG. 5

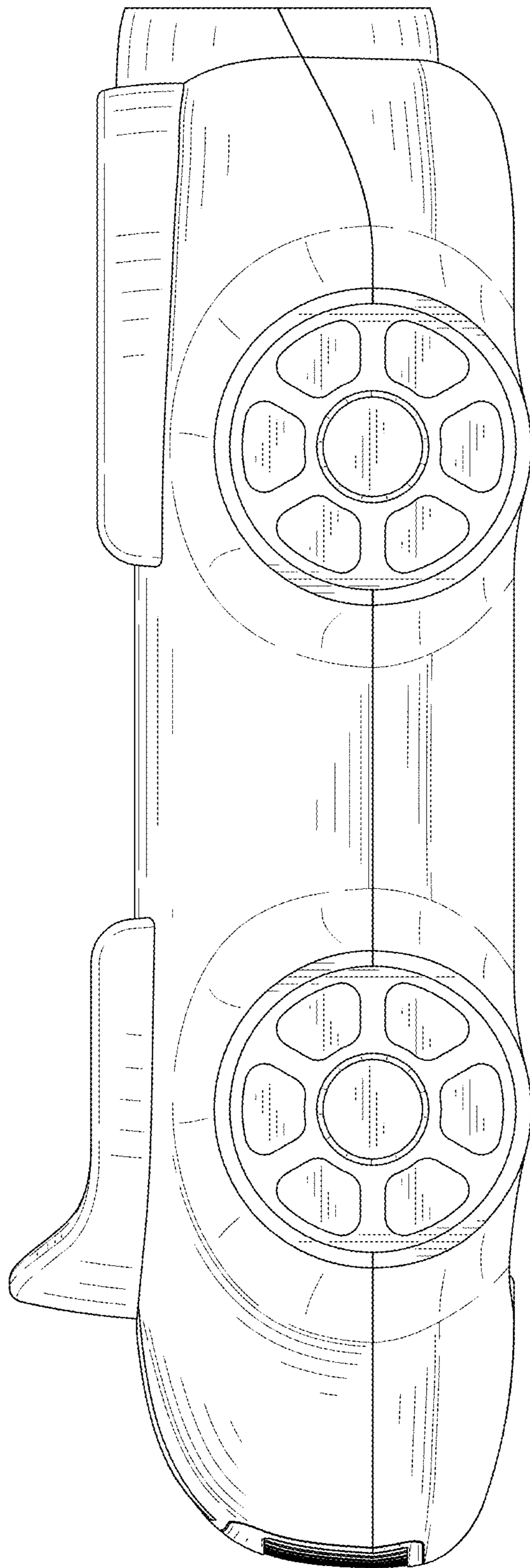


FIG. 6

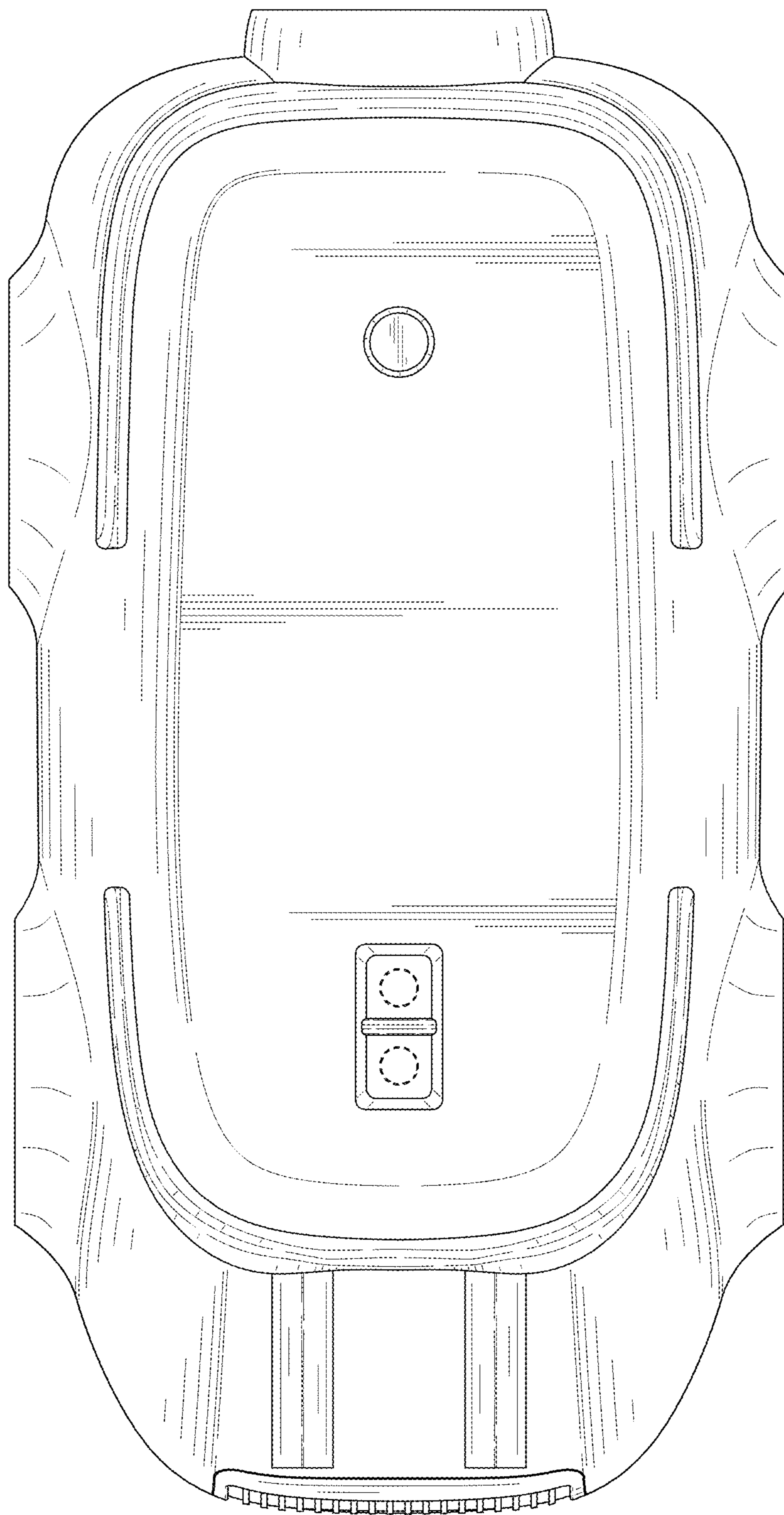


FIG. 7

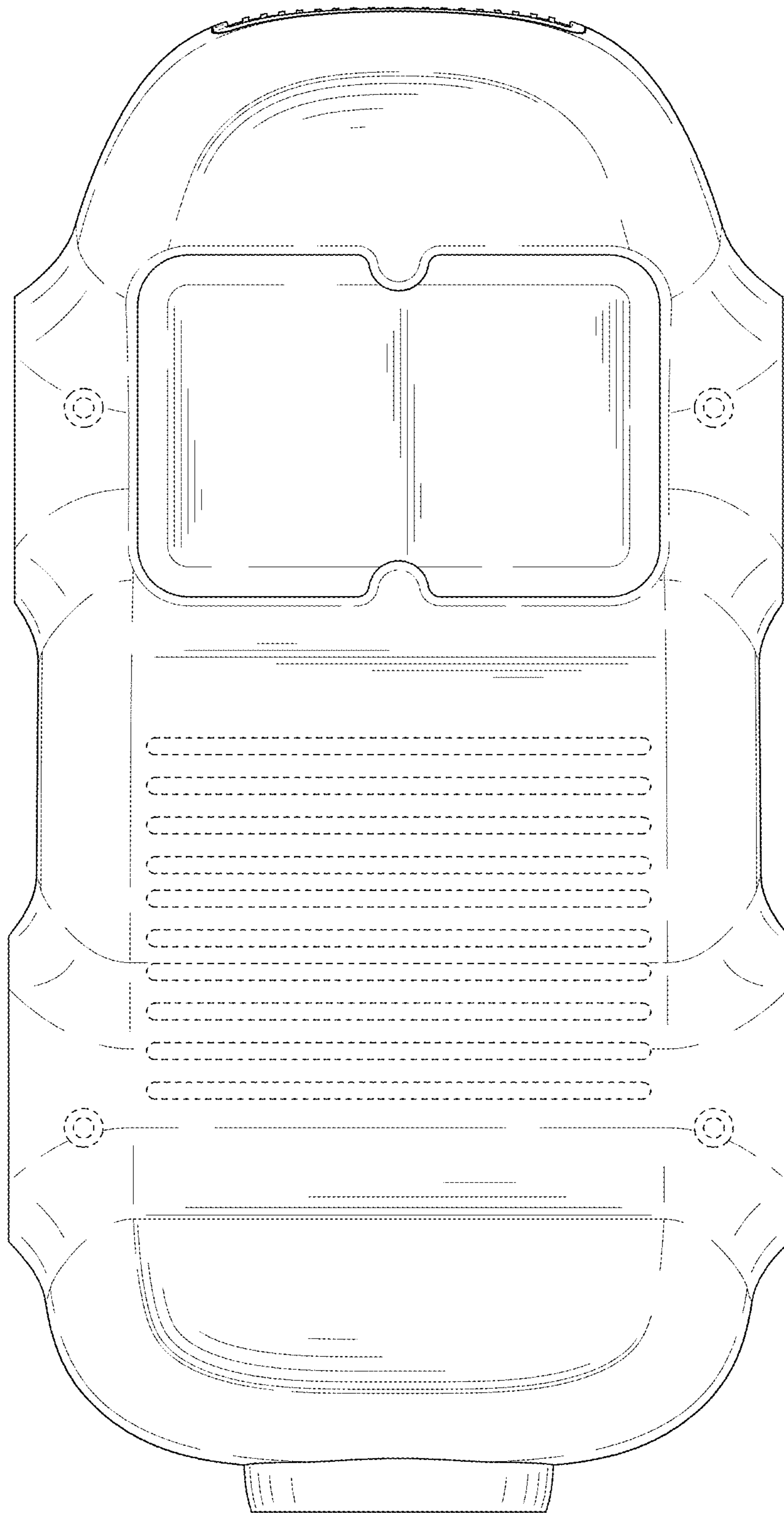


FIG. 8

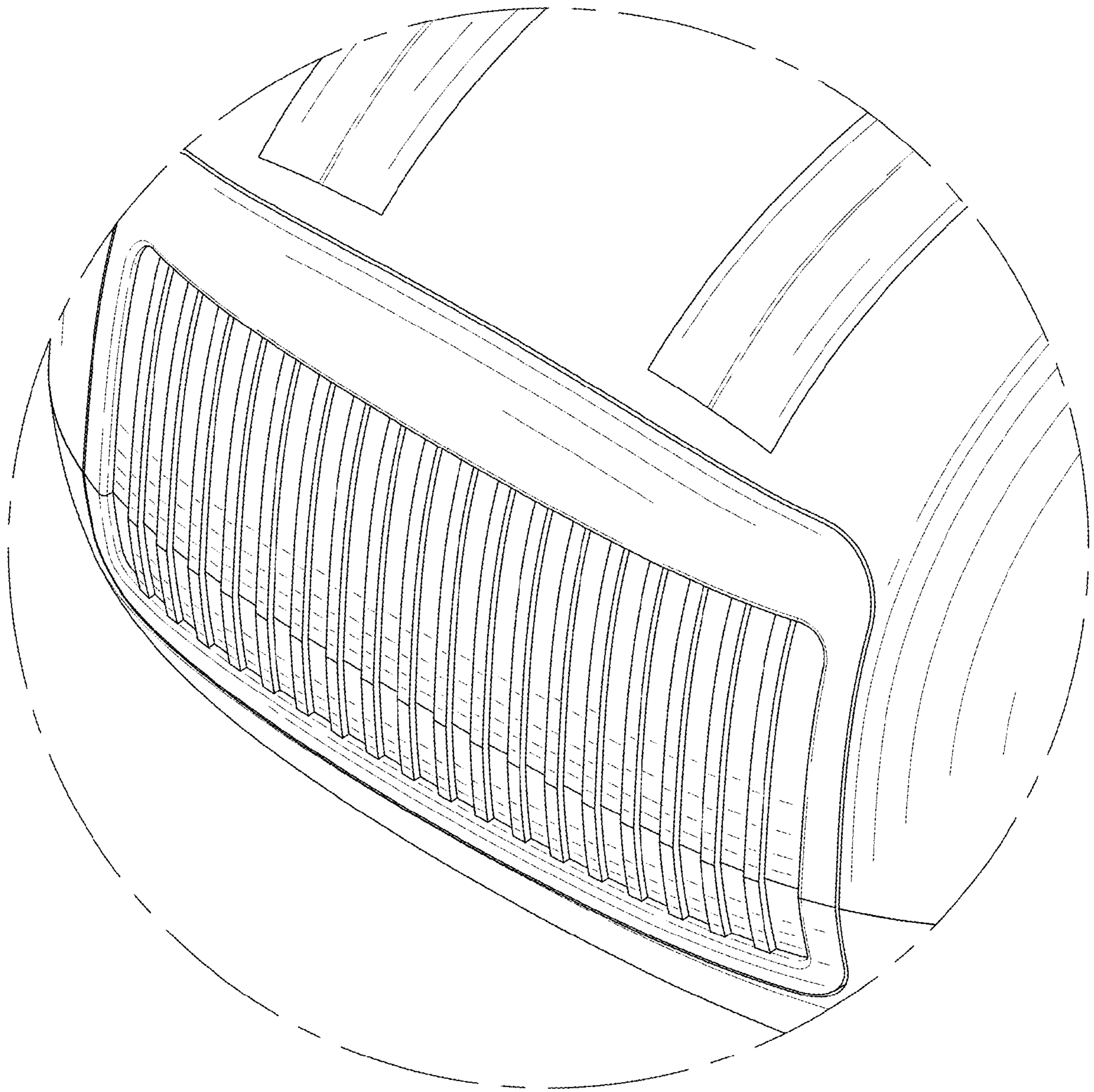


FIG. 9