



US00D973105S

(12) **United States Design Patent**  
**Granatelli**

(10) **Patent No.:** **US D973,105 S**

(45) **Date of Patent:** **\*\* Dec. 20, 2022**

(54) **AUTOMOBILE VACUUM PUMP CANISTER**

(71) Applicant: **Joe R. Granatelli**, Oxnard, CA (US)

(72) Inventor: **Joe R. Granatelli**, Oxnard, CA (US)

(\*\*) Term: **15 Years**

(21) Appl. No.: **29/841,103**

(22) Filed: **Jun. 2, 2022**

(51) **LOC (13) Cl.** ..... **15-02**

(52) **U.S. Cl.**

USPC ..... **D15/7; D15/5**

(58) **Field of Classification Search**

USPC ..... D15/7-9; D23/225, 231, 232, 356, 366;  
D12/114

CPC ..... F04B 53/14; F04B 53/92; F04B 33/00;  
F04B 33/005; F04B 1/005; F04B 39/102;  
F04B 35/04; F04D 13/06; F04D 29/60;  
F04D 29/22; F04D 29/046; F04D  
29/2266; F16K 11/048; F16K 15/20;  
F16K 31/602; F16L 37/18; F16L 37/20;  
F16L 25/00; B60T 13/72; B60T 13/52;  
B60T 13/57; B60T 13/48; B60T 8/442;  
B60T 8/444; B60T 8/448; B60T 17/02;  
F04C 29/045

See application file for complete search history.

(56) **References Cited**

**U.S. PATENT DOCUMENTS**

D115,244 S *	6/1939	Williams	.....	D15/7
D152,516 S	2/1949	Brown		
D154,617 S	7/1949	Marsalis		
D173,547 S *	11/1954	Sundberg	.....	D13/112
D179,746 S	2/1957	Sudmeier		
D195,535 S *	6/1963	Rhodes	.....	D15/7
D211,914 S	8/1968	Roberts		
D294,580 S	3/1988	Segal		
D294,685 S	3/1988	Opitz		
D295,154 S	4/1988	Opitz		
D409,119 S	5/1999	Fervoy		
D471,561 S *	3/2003	Kohsaka	.....	D15/7

D475,232 S	6/2003	Kane et al.		
D490,034 S	5/2004	MacDonald et al.		
D491,312 S	6/2004	Kim		
D521,695 S	5/2006	Jacobs et al.		
D541,818 S *	5/2007	Rhea	.....	D15/7

(Continued)

**FOREIGN PATENT DOCUMENTS**

CN	3458937 S	7/2005
CN	304375440 S	11/2017

**OTHER PUBLICATIONS**

Granatelli Motor Sports, 12-Volt Vacuum Pump Systems 410102C, (site visited Sep. 6, 2022), Granatelli Website, URL:<https://granatellimotorsports.com/i-30501193?q=vacuum> (Year: 2022).\*

(Continued)

*Primary Examiner* — Calvin E Vansant  
*Assistant Examiner* — Mark T. Philipps  
(74) *Attorney, Agent, or Firm* — Cislo & Thomas, LLP

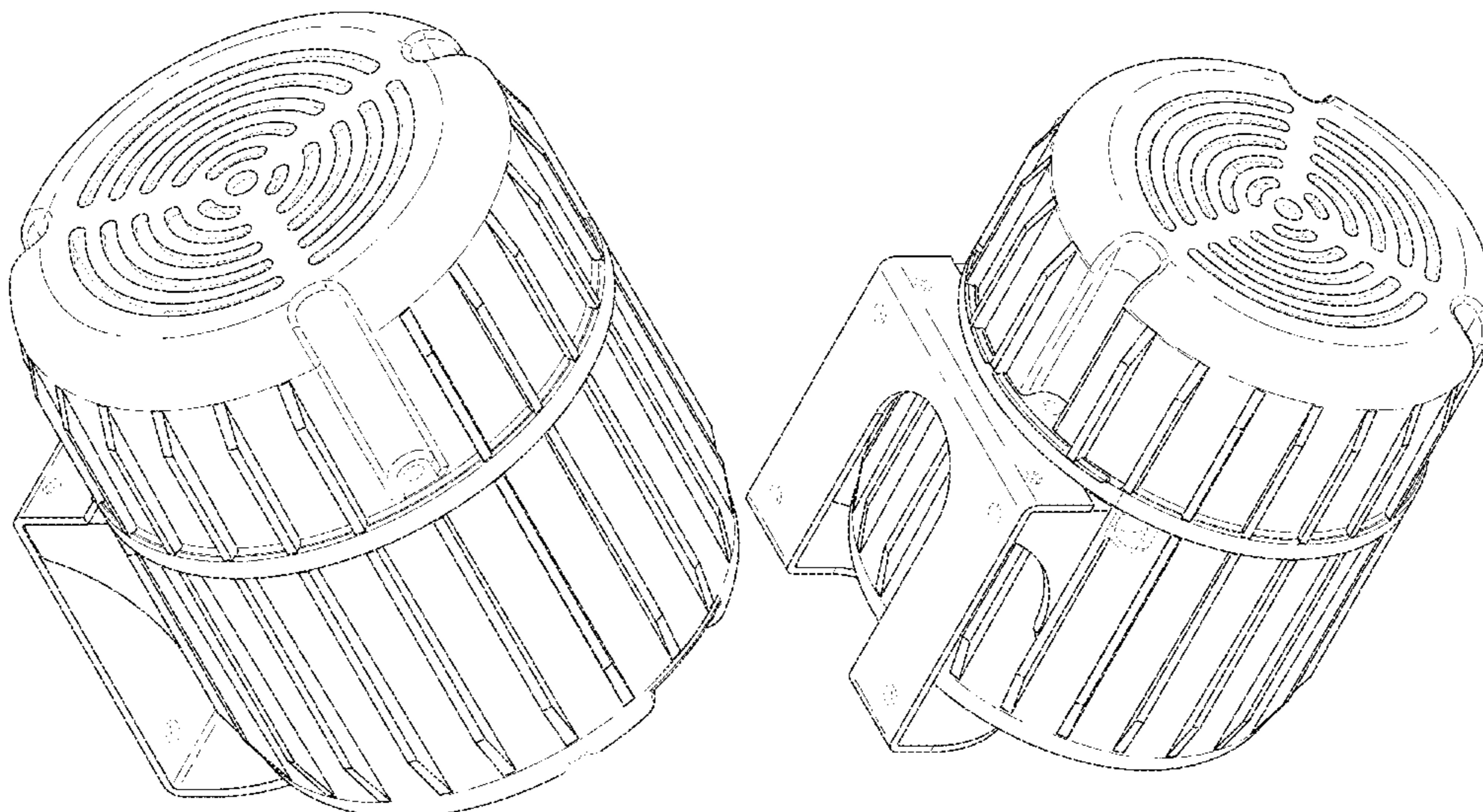
(57) **CLAIM**

The ornamental design for an automobile vacuum pump canister, as shown and described.

**DESCRIPTION**

FIG. 1 is a perspective view of my automobile vacuum pump canister;  
FIG. 2 is a top plan view thereof;  
FIG. 3 is a bottom plan view thereof;  
FIG. 4 is a right side elevation view thereof;  
FIG. 5 is a left side elevation view thereof;  
FIG. 6 is a front elevation view thereof;  
FIG. 7 is a rear elevation view thereof; and,  
FIG. 8 is another perspective view thereof.  
The broken lines shown in the drawings illustrate portions of my automobile vacuum pump canister that form no part of the claimed design.

**1 Claim, 8 Drawing Sheets**



(56)

References Cited

U.S. PATENT DOCUMENTS

D572,131 S \* 7/2008 Berman ..... D9/453  
 D591,589 S 5/2009 Myers et al.  
 D608,200 S \* 1/2010 Mazurkiewicz ..... D9/453  
 D614,550 S 4/2010 Brandt  
 D630,229 S \* 1/2011 Dreifert ..... D15/7  
 D631,372 S 1/2011 Poyner  
 D648,251 S 11/2011 Murayama et al.  
 D649,164 S 11/2011 Cook  
 D664,155 S \* 7/2012 Milner ..... D15/7  
 D666,217 S \* 8/2012 Pruszyński ..... D15/7  
 D668,684 S \* 10/2012 Noguchi ..... D15/9  
 D679,960 S 4/2013 Hopkins et al.  
 8,651,829 B2 2/2014 Lim et al.  
 9,610,932 B2 4/2017 Nakano et al.  
 D795,808 S \* 8/2017 Mayor ..... D13/122  
 9,816,627 B2 11/2017 Gur  
 9,845,681 B2 12/2017 Ziehr  
 D816,010 S 4/2018 Rike  
 D822,718 S \* 7/2018 Hartung ..... D15/7  
 10,047,772 B2 8/2018 Wallman et al.  
 10,054,034 B1 8/2018 Weland

D828,114 S 9/2018 Murosky  
 D840,908 S 2/2019 Rike  
 10,202,108 B2 2/2019 Misunou et al.  
 10,288,055 B2 5/2019 Geue et al.  
 D870,618 S 12/2019 Cummings, IV et al.  
 D906,968 S \* 1/2021 Azuma ..... D13/122  
 2016/0201671 A1 7/2016 Moeser et al.  
 2020/0262406 A1 \* 8/2020 Jeong ..... B60T 13/52  
 2022/0154707 A1 \* 5/2022 Dyche ..... F04B 39/0066

OTHER PUBLICATIONS

LEED Brakes, “Bandit Series Vacuum Pump Demonstration”, (published Apr. 30, 2018), YouTube.com, URL:<[https://www.youtube.com/watch?v=lwDou4i\\_GUA&t=4s](https://www.youtube.com/watch?v=lwDou4i_GUA&t=4s)> (Year: 2018).\*

LEED Brakes, Electric Vacuum Pump Kit—Chrome Bandit Series (VP001C), (first available Dec. 15, 2017), Amazon.com, URL:<<https://www.amazon.com/LEED-Brakes-VP001C-ELECTRIC-VACUUM/dp/B0789MGH6Z>> (Year: 2017).\*

JEGS, Electric Vacuum Pump for Supplying Vacuum to a Power Brake Booster, (site visited Sep. 6, 2022), JEGS Website, URL:<<https://www.jegs.com/i/JEGS/555/62990/10002/-1>> (Year: 2022).\*

\* cited by examiner

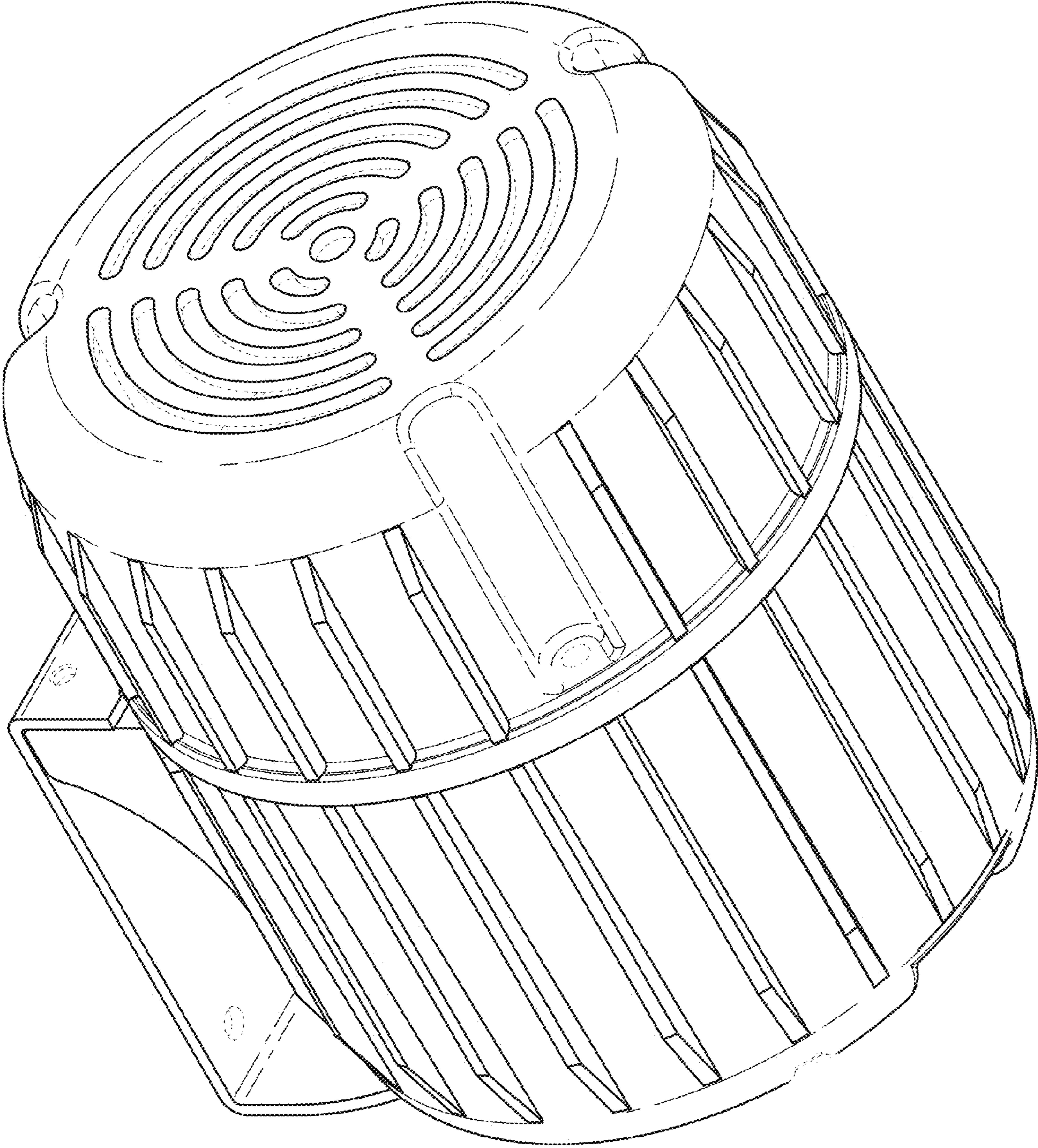


Fig. 1

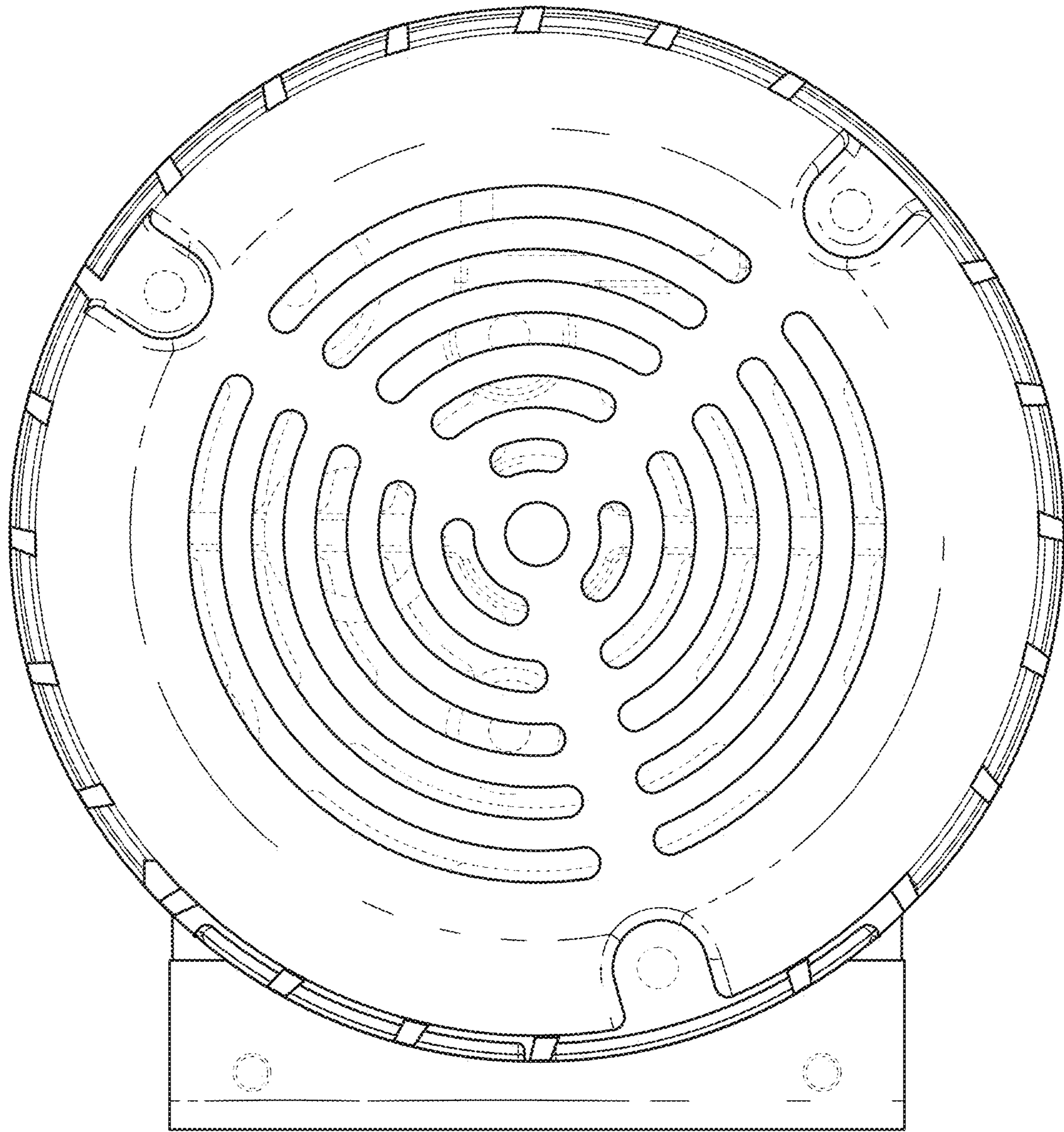


Fig. 2

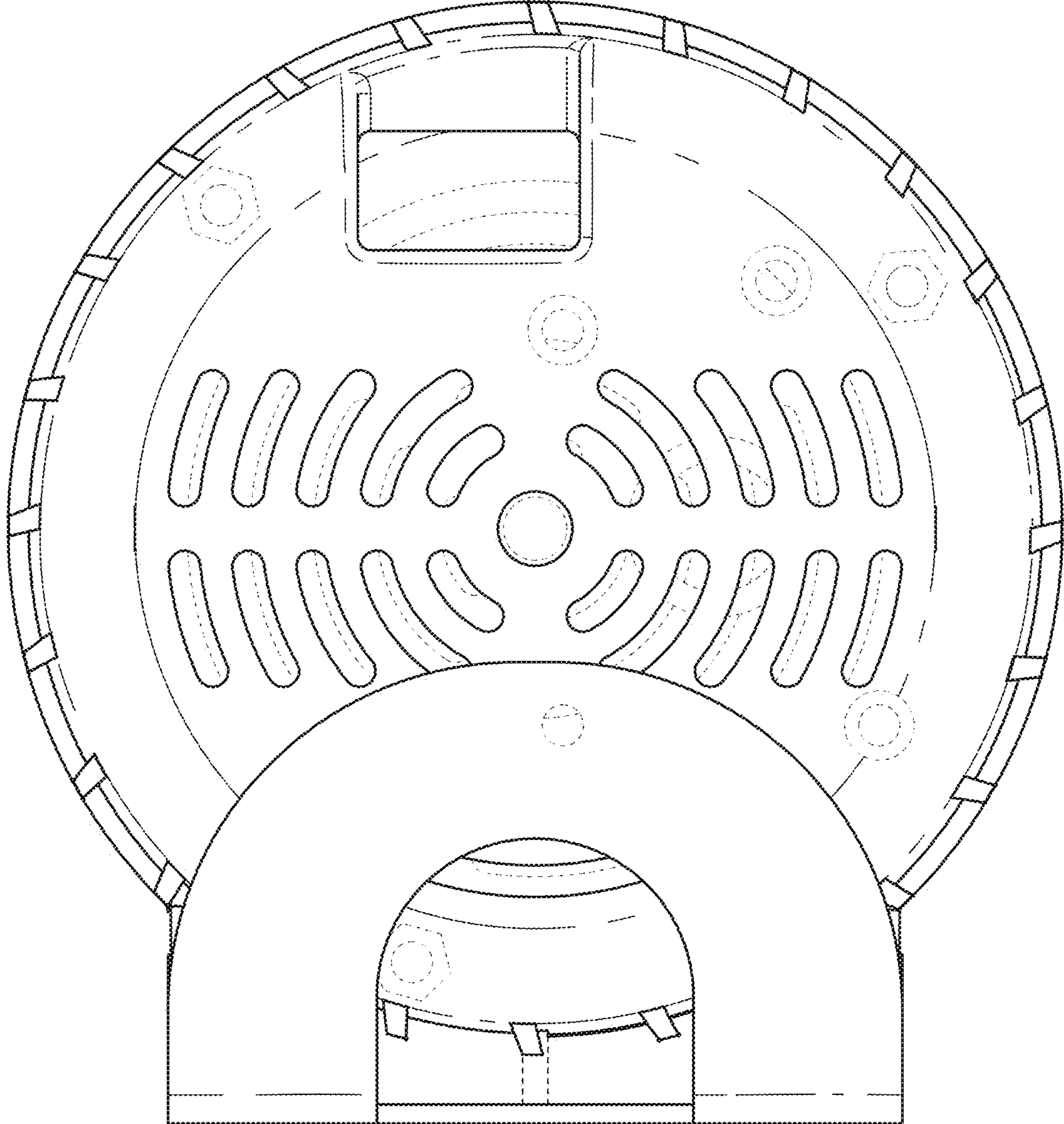


Fig. 3

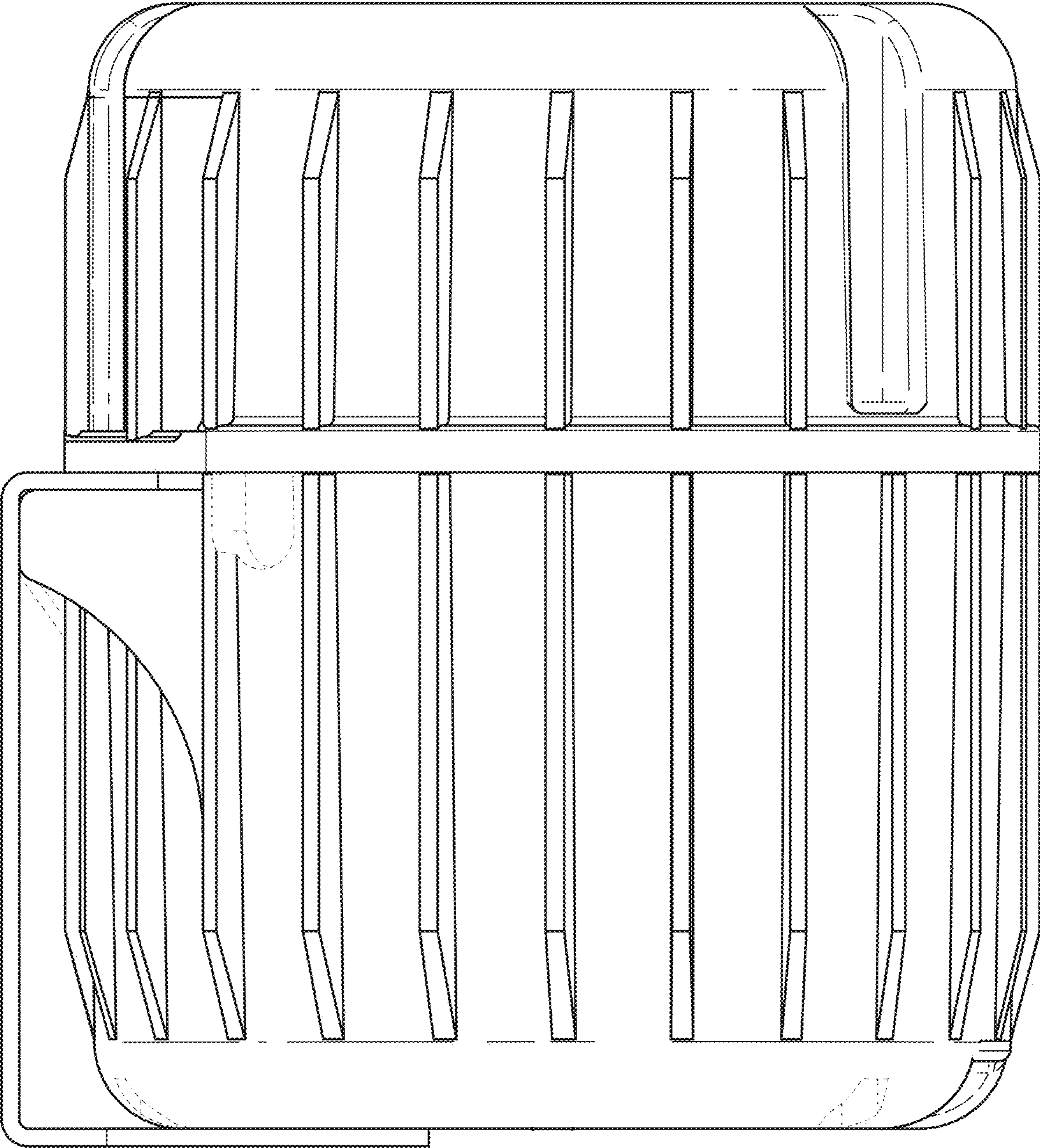


Fig. 4

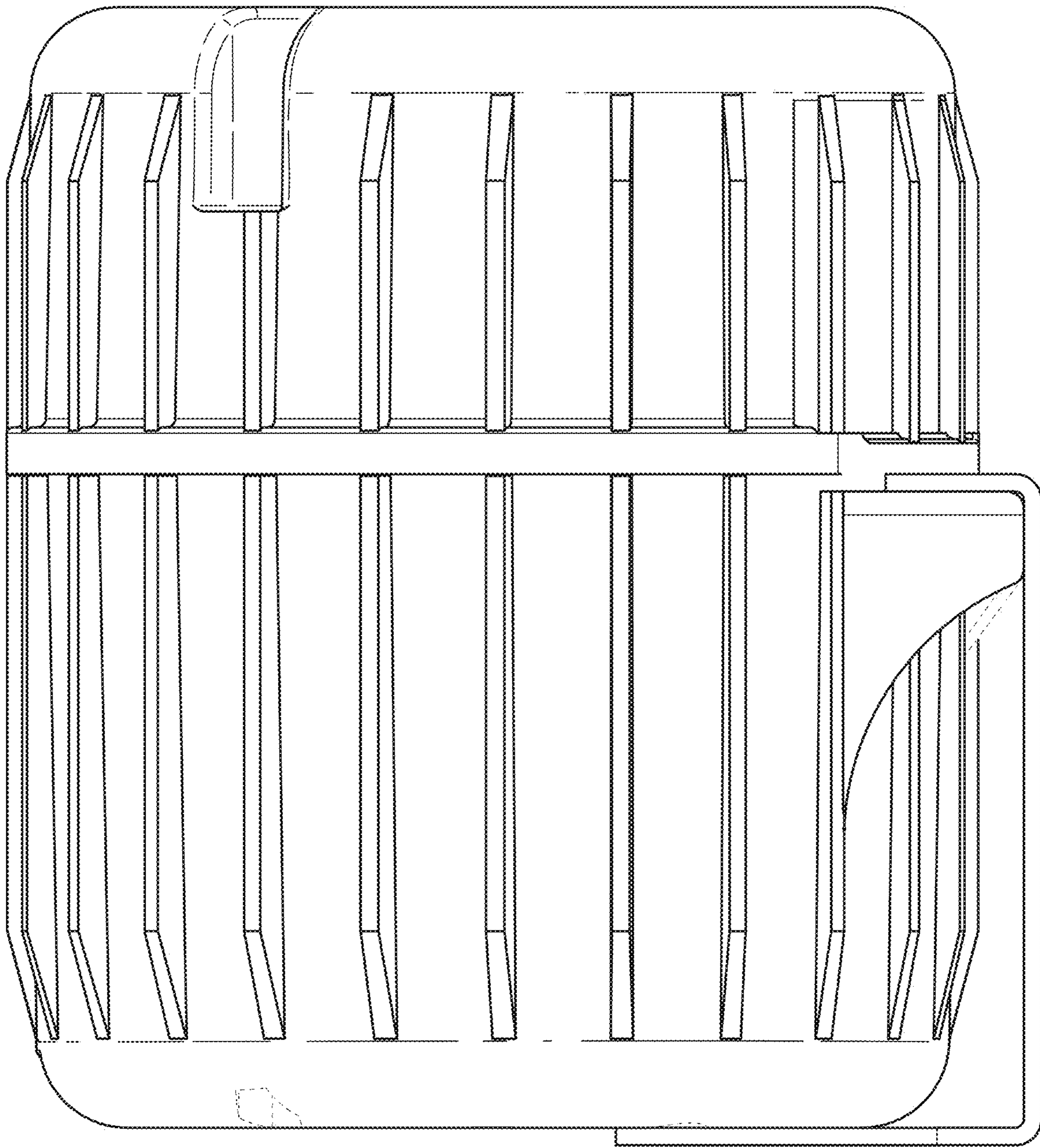


Fig. 5

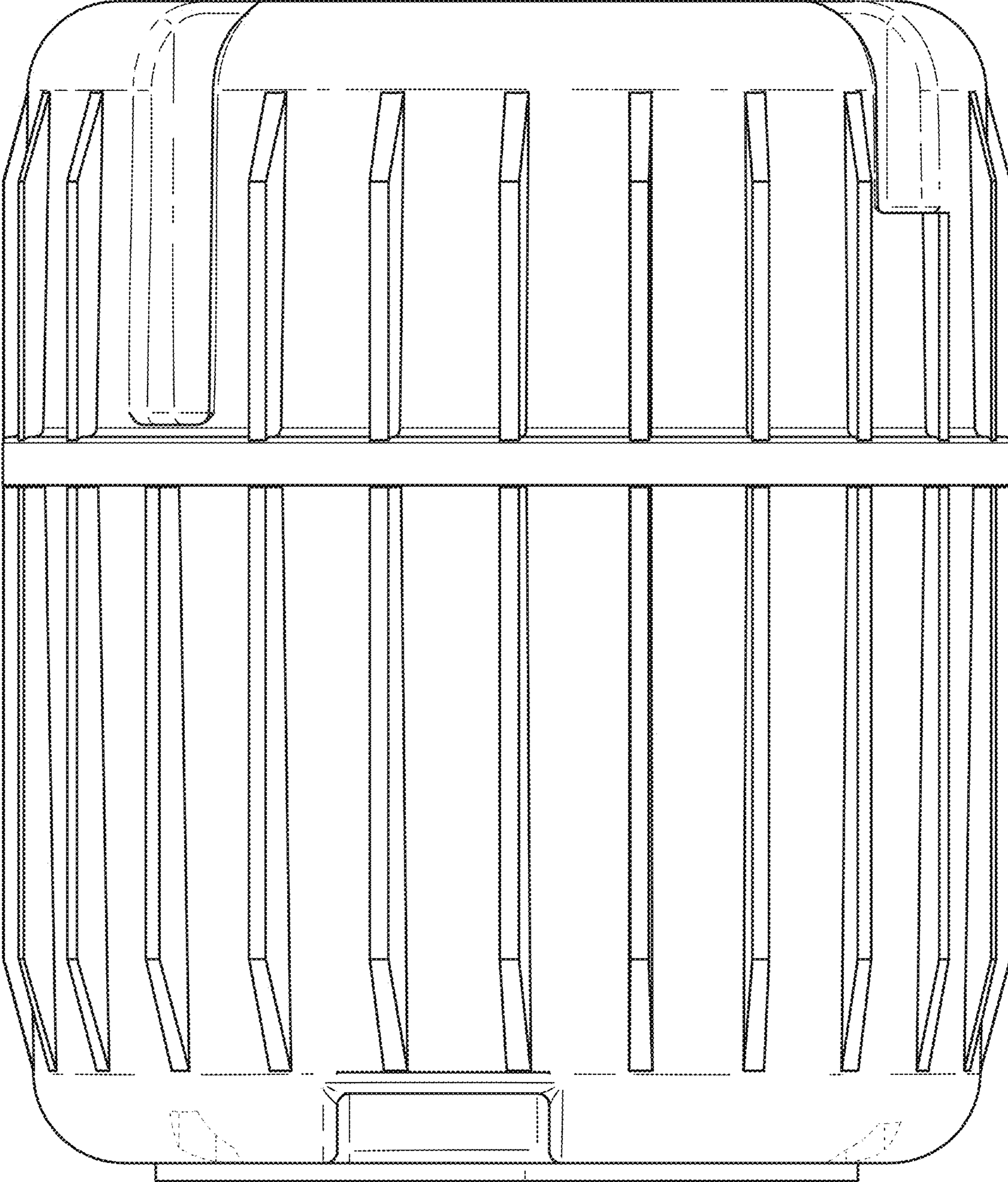


Fig. 6



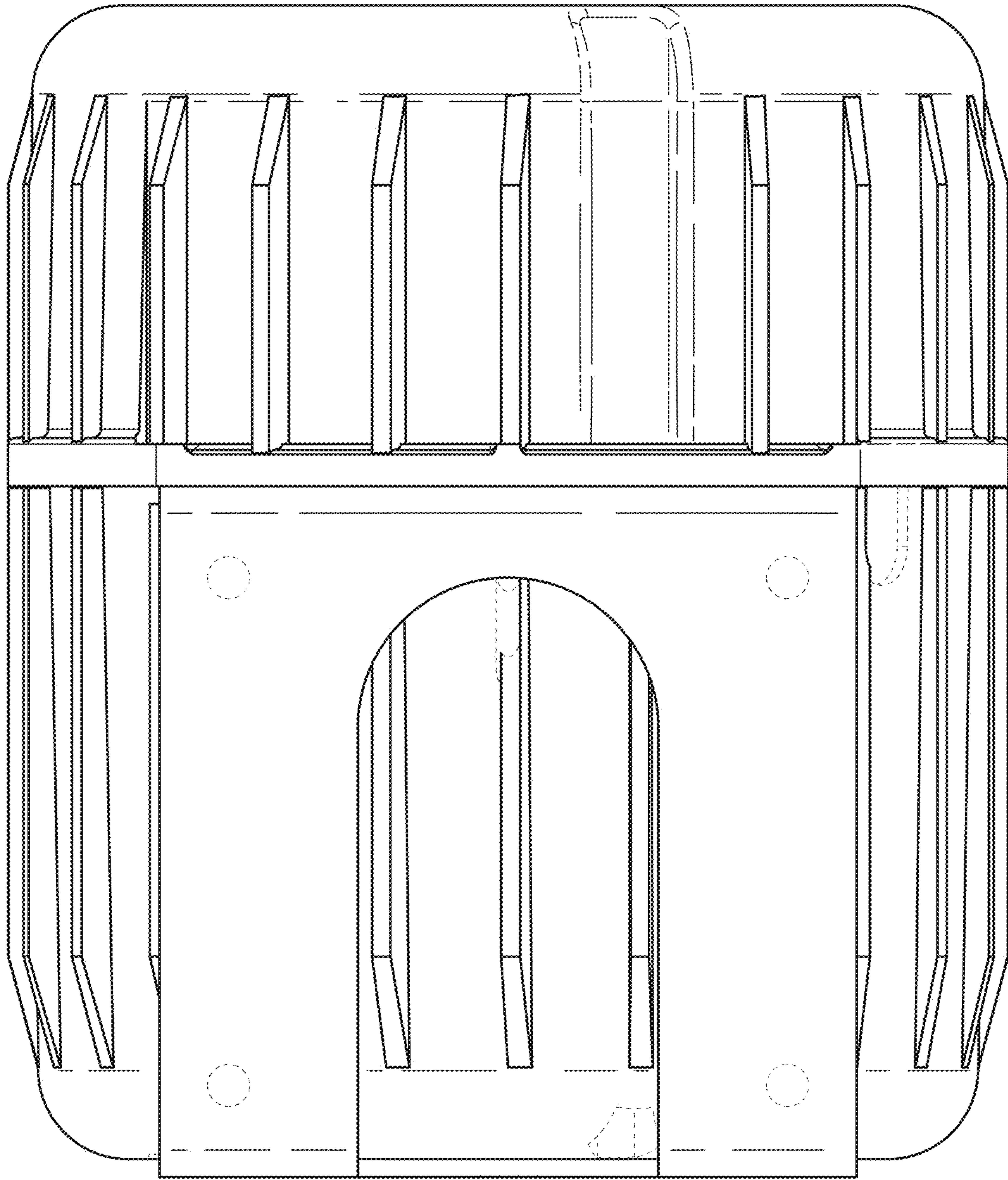


Fig. 7

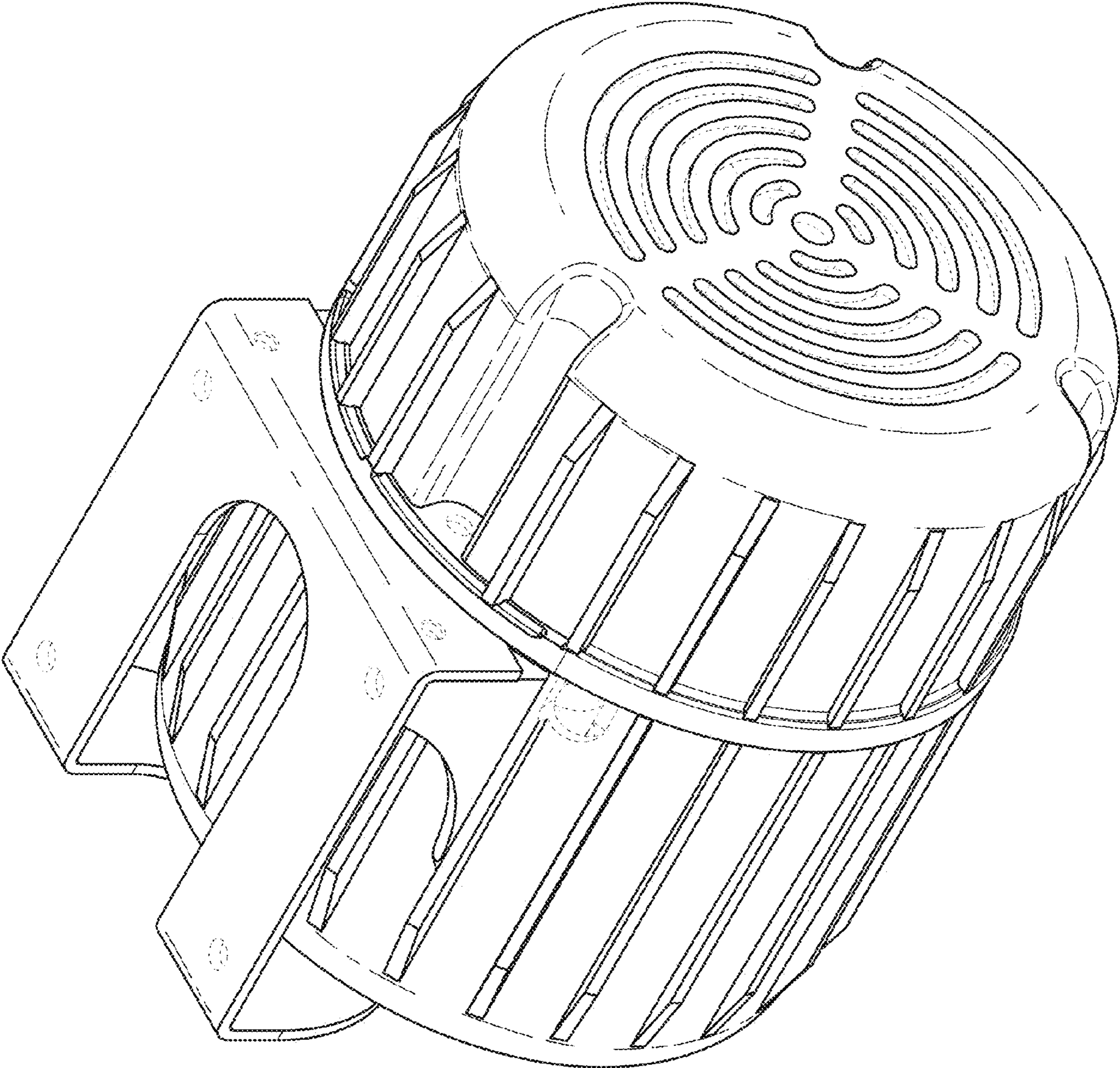


Fig. 8