



US00D973104S

(12) **United States Design Patent** (10) **Patent No.:** **US D973,104 S**
Solana et al. (45) **Date of Patent:** **** Dec. 20, 2022**

(54) **CONSOLE FOR PNEUMATIC COMPRESSION DEVICE**

(71) Applicant: **Therabody, Inc.**, Los Angeles, CA (US)

(72) Inventors: **Jaime Sanchez Solana**, Los Angeles, CA (US); **Brian Carberry**, Beverly Hills, CA (US); **Brian Zeng**, Dongguan (CN); **Washington Alexander Silva Garces**, Los Angeles, CA (US); **William Webb**, San Francisco, CA (US)

(73) Assignee: **Therabody, Inc.**, Los Angeles, CA (US)

(**) Term: **15 Years**

(21) Appl. No.: **29/825,453**

(22) Filed: **Feb. 1, 2022**

(51) **LOC (13) Cl.** **15-02**

(52) **U.S. Cl.**
USPC **D15/7; D24/200**

(58) **Field of Classification Search**
USPC D15/7-9; D14/163, 165, 172, 203.3, D14/203.6, 209.1, 214, 221, 480.1, 480.4, D14/496, 497, 499, 509, 510; D24/108, D24/109, 111, 168, 186, 213, 217, 218, D24/233, 200; D23/225, 231, 232, 366, D23/356; D13/107
CPC F04B 53/14; F04B 53/92; F04B 33/00; F04B 33/005; F04B 1/005; F04D 13/06; F04D 29/22; F04D 29/046; F04D 29/2266; F16K 11/048; F16K 15/20; F16K 31/602; F16L 37/18; F16L 37/20; A61H 1/006; A61H 1/00; A61H 9/0078
See application file for complete search history.

(56) **References Cited**

U.S. PATENT DOCUMENTS

D554,266 S * 10/2007 Striepe D24/186
7,901,193 B2 3/2011 Evans

D658,234 S * 4/2012 Mercier D21/324
D692,145 S * 10/2013 Al-Ali D24/186
D759,254 S * 6/2016 Knieriem D24/186
D812,000 S * 3/2018 Li D13/103
D844,030 S * 3/2019 You D14/497
D855,212 S * 7/2019 Komuro D24/232

(Continued)

OTHER PUBLICATIONS

TheraGun Store, Recovery Air Prime—Sequential Compression Foot and Leg Air Massage Boots for Circulation and Athletic Recovery, (first available date Jan. 22, 2022), Amazon.com, URL:<<https://www.amazon.com/Therabody-RecoveryAir-Prime-Compression-Circulation/dp/B09QTQDY3B>> (Year: 2022).*

(Continued)

Primary Examiner — Calvin E Vansant
Assistant Examiner — Mark T. Philipps
(74) *Attorney, Agent, or Firm* — Sterne, Kessler, Goldstein & Fox P.L.L.C.

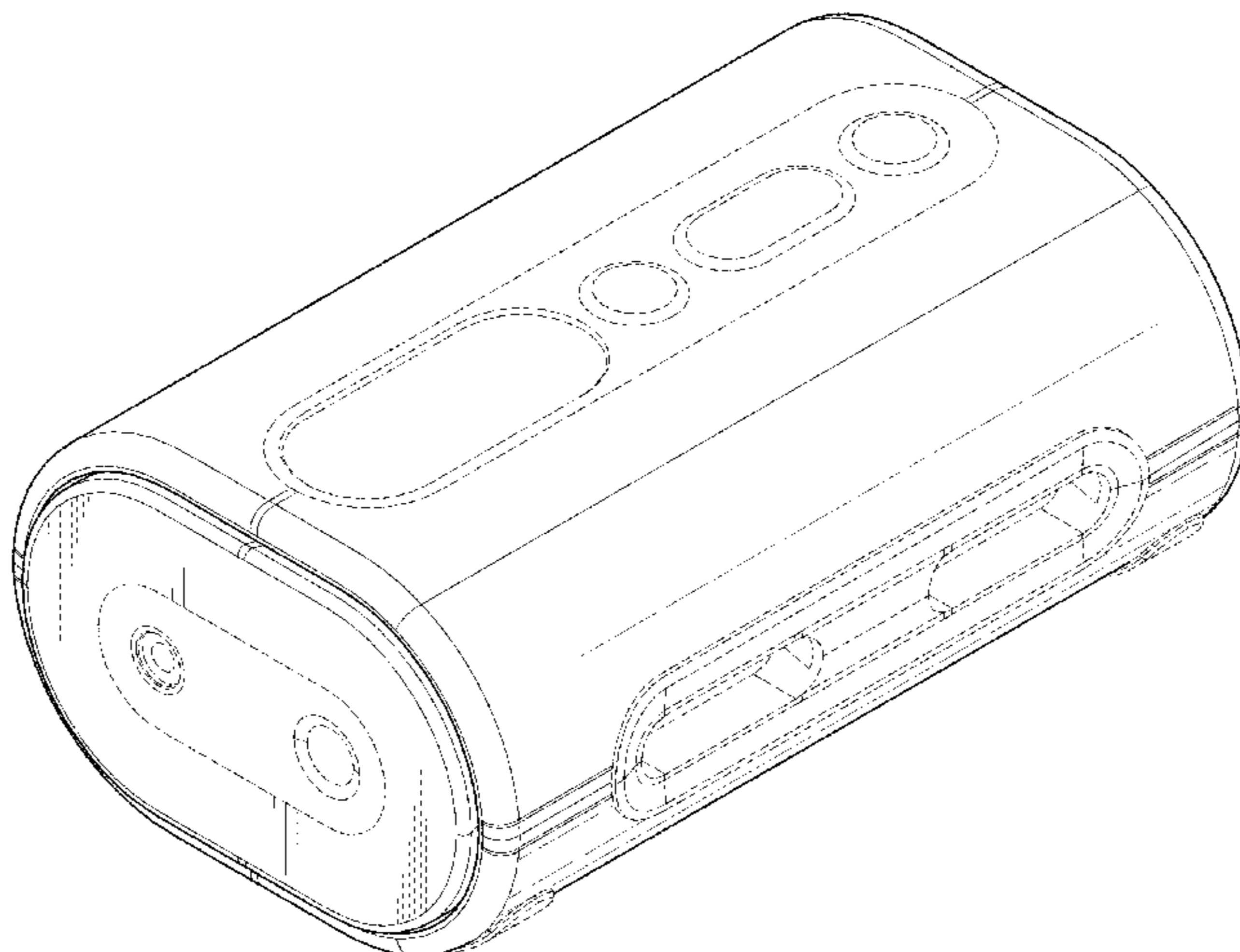
(57) **CLAIM**

The ornamental design for a console for pneumatic compression device, as shown and described.

DESCRIPTION

FIG. 1 is a perspective view of a console for pneumatic compression device, showing our new design; FIG. 2 is a front elevational view thereof; FIG. 3 is a rear elevational view thereof; FIG. 4 is a left elevational view thereof; FIG. 5 is a right elevational view thereof; FIG. 6 is a top plan view thereof; and, FIG. 7 is a bottom plan view thereof. The broken lines in the figures show portions of the console for pneumatic compression device that form no part of the claimed design.

1 Claim, 7 Drawing Sheets



(56)

References Cited

U.S. PATENT DOCUMENTS

10,507,141	B2	12/2019	Allen	
D916,933	S *	4/2021	Sun D15/7
D921,190	S *	6/2021	Shor D24/111
D931,201	S *	9/2021	Xu D13/110
D932,456	S *	10/2021	Paterson D14/496
D941,489	S *	1/2022	Lu D24/217
D949,133	S *	4/2022	Laffon de Mazieres	. D14/203.3
D951,182	S *	5/2022	Gong D13/103
D951,353	S *	5/2022	Lv D21/332
D952,179	S *	5/2022	Gil D24/217
2009/0009953	A1 *	1/2009	Lin G06F 1/1632 361/679.33
2016/0184512	A1 *	6/2016	Marbet A61M 5/14248 604/157
2019/0175418	A1	6/2019	Allen	
2020/0155409	A1	5/2020	Parker	
2021/0275390	A1	9/2021	Hsueh	

OTHER PUBLICATIONS

Rapid Reboot Store, Rapid Reboot Recovery System: Compression Boots, (first available date Apr. 19, 2017), Amazon.com, URL:<<https://www.amazon.com/Rapid-Reboot-Recovery-System-Compression/dp/B01N2N32QS>> (Year: 2017).*

<https://www.amazon.com/Rapid-Reboot-Complete-Package-Compression/dp/B07Q3MDP5K>.

https://www.recoveryforathletes.com/products/therabody-recoveryair-compression-system?currency=USD&variant=40208004579499&utm_medium=cpc&utm_source=google&utm_campaign=Google%20Shopping&utm_term=&utm_campaign=!B+Level+Medium+Priority+Branded&utm.

* cited by examiner

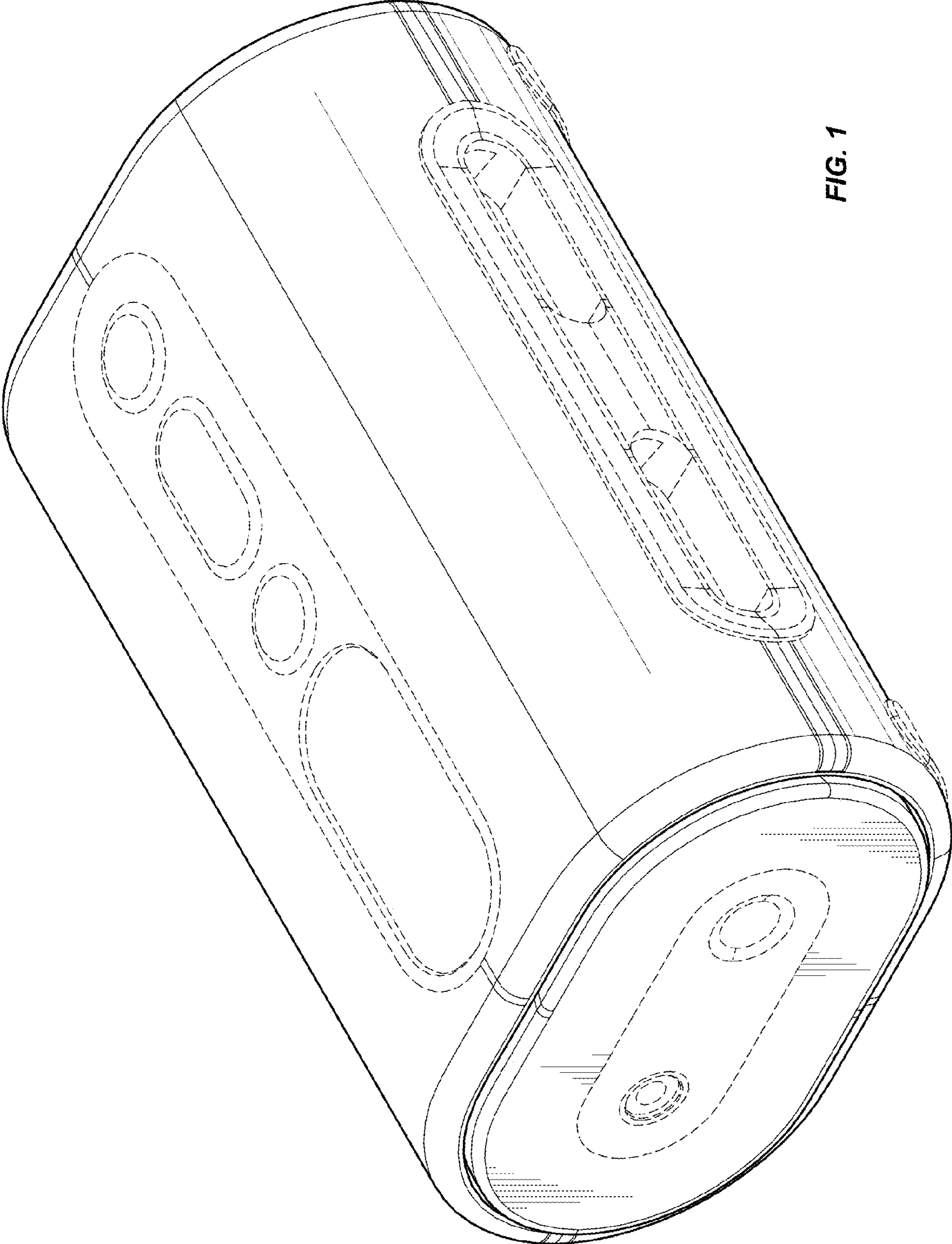


FIG. 1

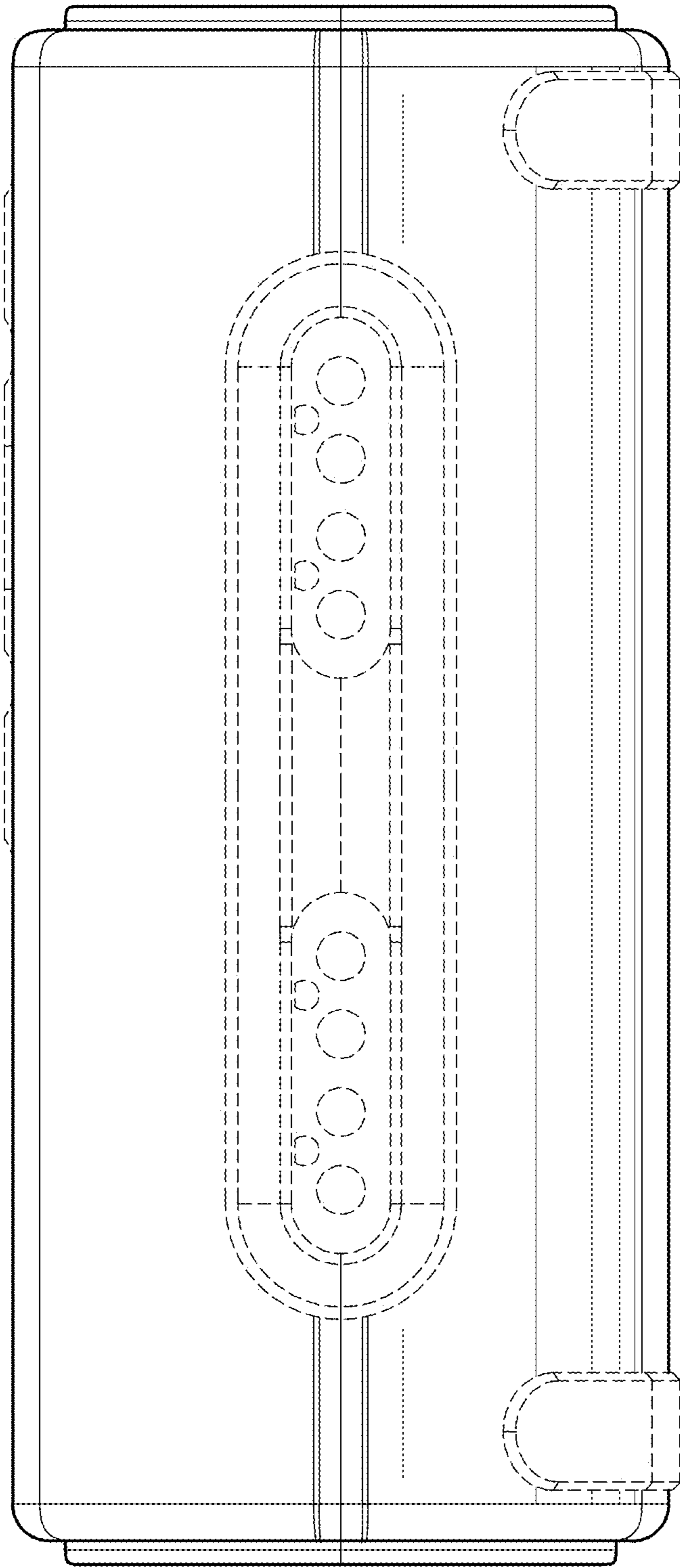


FIG. 2

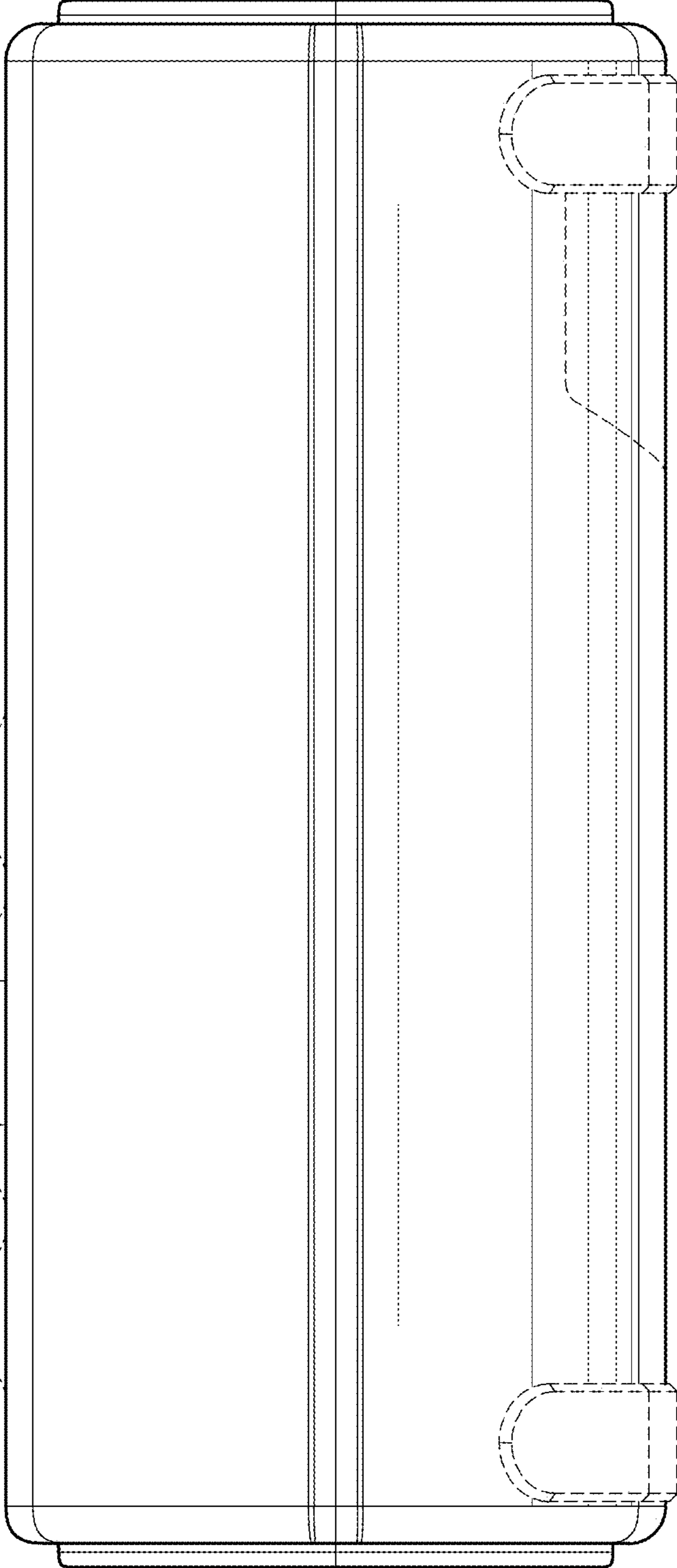


FIG. 3

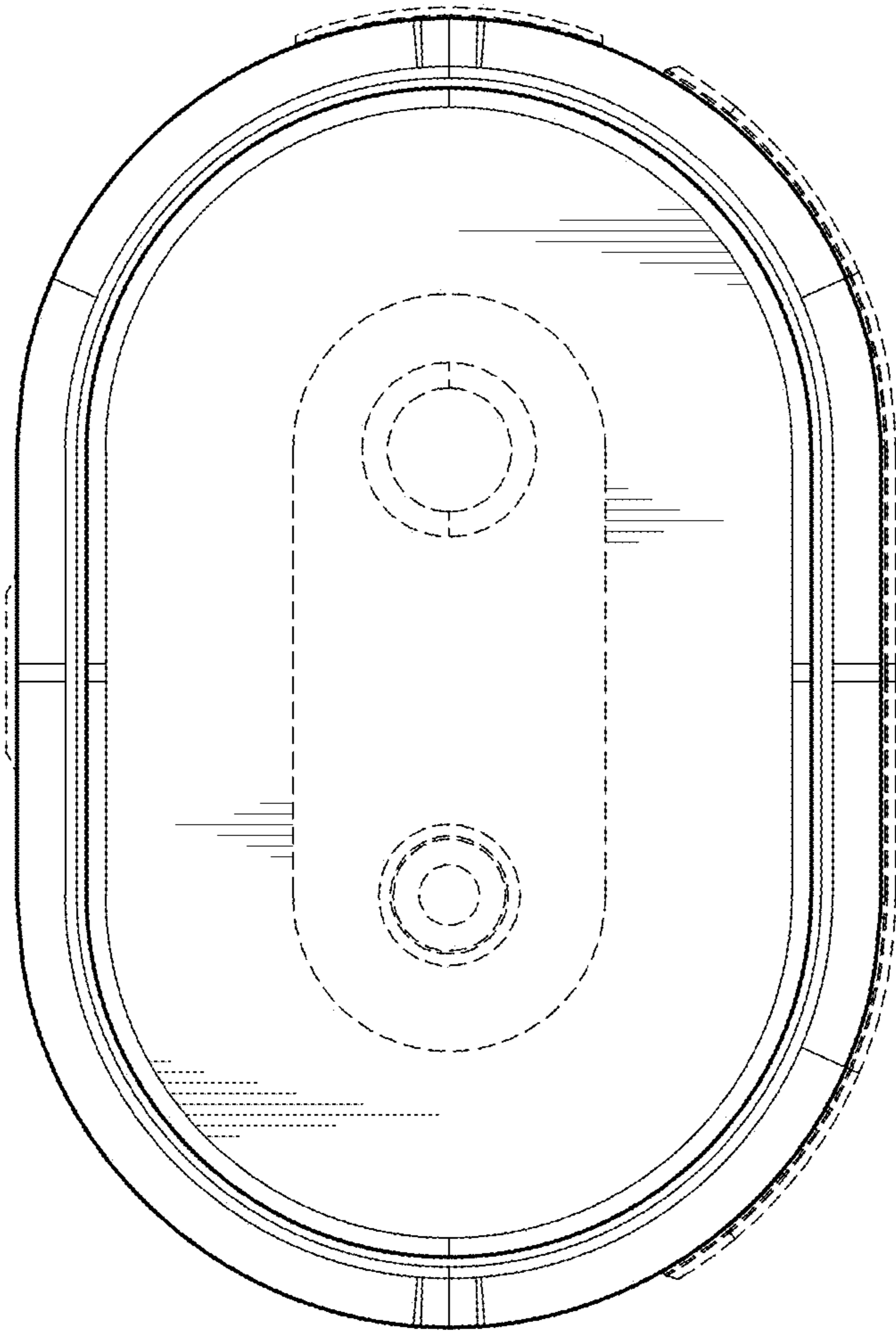


FIG. 4

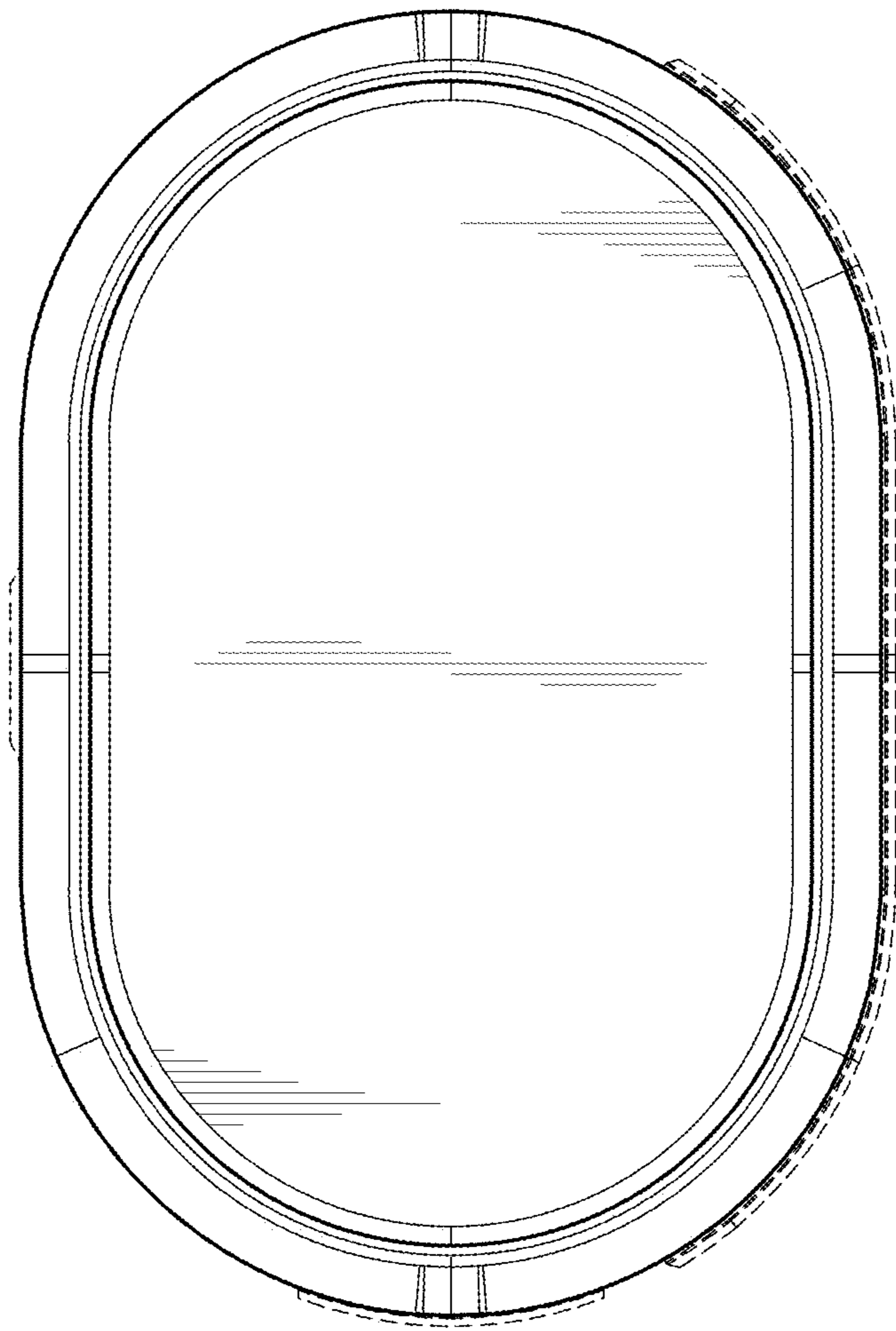


FIG. 5

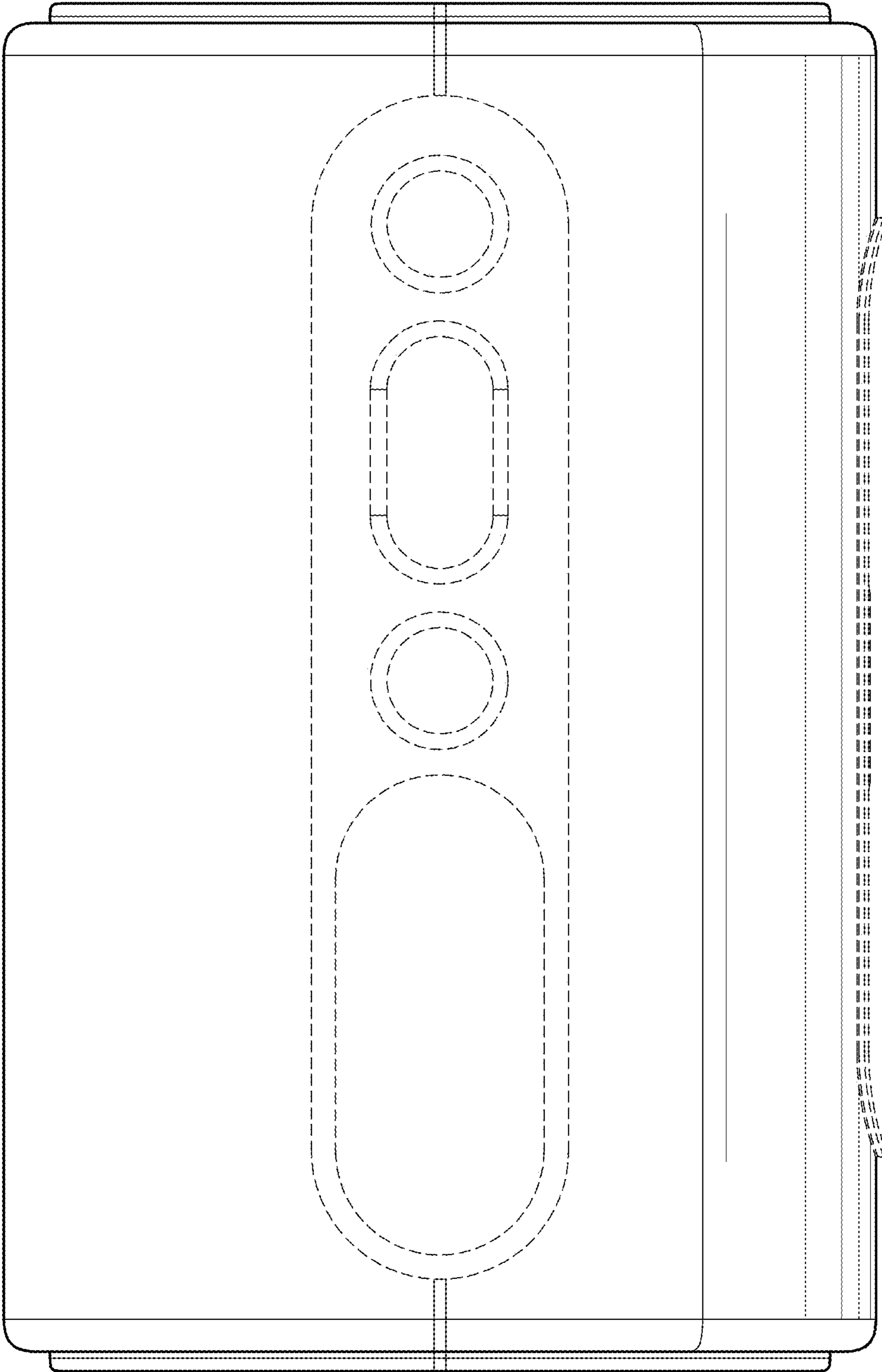


FIG. 6

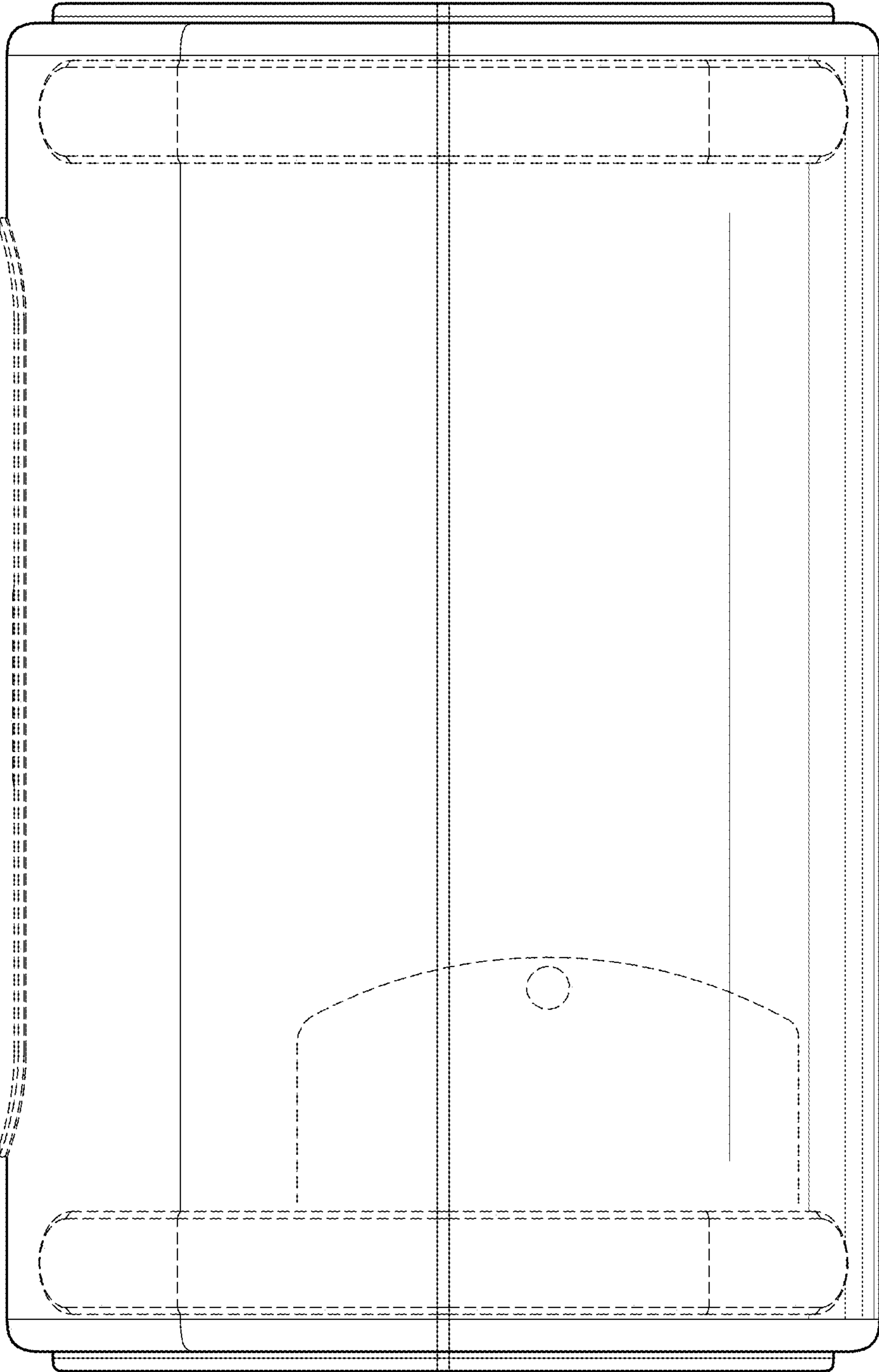


FIG. 7