



US00D973077S

(12) **United States Design Patent** (10) **Patent No.:** **US D973,077 S**
Lewis et al. (45) **Date of Patent:** **** Dec. 20, 2022**

(54) **DISPLAY SCREEN OR PORTION THEREOF WITH GRAPHICAL USER INTERFACE**

(71) Applicant: **GE Precision Healthcare LLC**, Milwaukee, WI (US)
(72) Inventors: **Chelsey Lewis**, Waukesha, WI (US); **Cecilia Cortez**, Sussex, WI (US); **Sharon Ghelman**, Hollywood, FL (US); **Holly Ann McDaniel**, Waukesha, WI (US); **Steven Zanoni**, Brookfield, WI (US); **Lalithesh Prakash**, Mysore (IN)

(73) Assignee: **GE Precision Healthcare LLC**, Milwaukee, WI (US)

(**) Term: **15 Years**

(21) Appl. No.: **29/749,089**

(22) Filed: **Sep. 2, 2020**

(51) **LOC (13) Cl.** **14-04**

(52) **U.S. Cl.**
USPC **D14/486**

(58) **Field of Classification Search**
USPC D14/485-495
CPC .. A61B 5/02; A61B 8/46; G06F 19/34; G06F 19/3418; G06F 19/3406; G06T 2207/30004

See application file for complete search history.

(56) **References Cited**

U.S. PATENT DOCUMENTS

5,400,378 A 3/1995 Toth
6,023,494 A 2/2000 Senzig et al.
6,061,420 A 5/2000 Strong
6,236,706 B1 5/2001 Hsieh

(Continued)

FOREIGN PATENT DOCUMENTS

CN 101277648 A 10/2008
EP 3113111 B1 8/2019

OTHER PUBLICATIONS

“The ONE Guides—4D Neurological Imaging,” Cannon Medical Systems USA Website, Available Online at <https://us.medical.canon/download/aq-one-club-guide-4d-neuro-imaging>, Available Online at Early as Jan. 2010, 16 pages.

(Continued)

Primary Examiner — Katherine A Holbrow
(74) *Attorney, Agent, or Firm* — McCoy Russell LLP

(57) **CLAIM**

The ornamental design for a display screen or portion thereof with graphical user interface, as shown and described.

DESCRIPTION

FIG. 1 is a front view of a display screen or portion thereof with graphical user interface according to the claimed design; and,

FIG. 2 is an enlarged view of the encircled portion of FIG. 1.

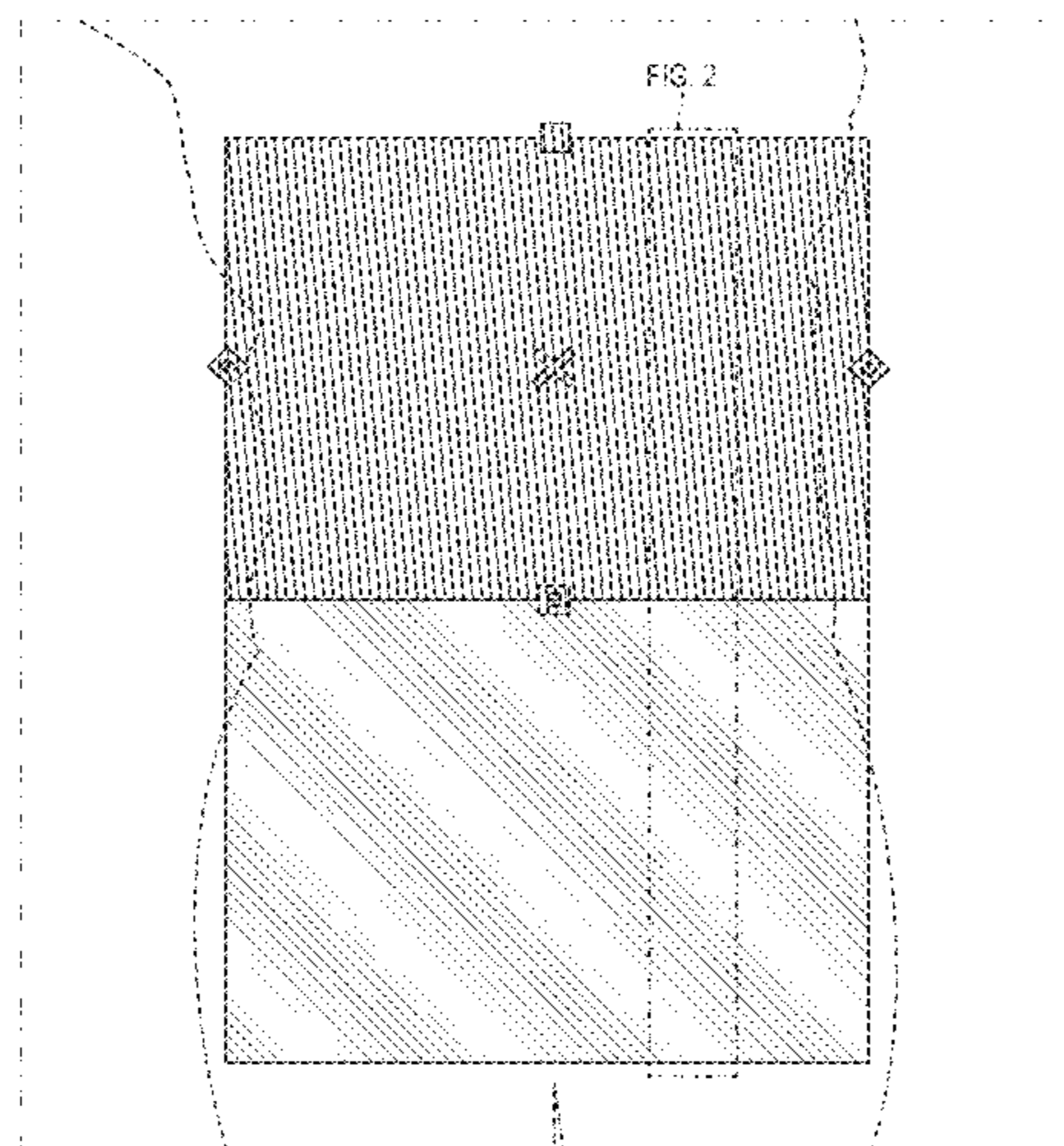
The dash-dot-dash broken lines in the drawings illustrate boundaries of the display screen or portion thereof that form no part of the claimed design.

The dash-dash broken lines in the drawings illustrate portions of the graphical user interface that form no part of the claimed design.

The dash-dot-dot broken lines in the drawings indicating the encircled portions form no part of the claimed design.

In the drawings, the first hatch shading shown at the upper, first group and the second hatch shading shown at the lower, second group represent contrast in appearance, although no particular colors are claimed. Additionally, the heavier line weight of the first hatch shading represents higher opacity relative to the lower line weight of the second hatch shading. Any pattern formed by any of the hatch shading forms no part of the claimed design.

1 Claim, 2 Drawing Sheets



(56)

References Cited

U.S. PATENT DOCUMENTS

6,256,368 B1 7/2001 Hsieh et al.
 D472,902 S * 4/2003 Nashida D14/491
 6,891,918 B2 5/2005 Drummond et al.
 7,145,982 B2 12/2006 Ikeda et al.
 7,983,457 B2 7/2011 Toth
 7,983,460 B2 7/2011 Licato et al.
 D696,269 S * 12/2013 Hyunjung D14/486
 D723,044 S * 2/2015 Park D14/492
 D727,937 S * 4/2015 Prajapati D14/486
 D749,104 S * 2/2016 Kim D14/486
 9,327,143 B2 5/2016 Gillece et al.
 D760,772 S * 7/2016 Winther D14/488
 D765,120 S * 8/2016 Kim D14/486
 D768,653 S * 10/2016 Moroney D14/485
 D771,671 S * 11/2016 Eder D14/486
 D772,251 S * 11/2016 Chaudhri D14/485
 9,486,176 B2 11/2016 Goyal
 9,517,042 B2 12/2016 Hsieh et al.
 D780,209 S * 2/2017 Sabadosh D14/486
 D782,523 S * 3/2017 Baumann D14/488
 9,622,717 B2 4/2017 Londt et al.
 D819,683 S * 6/2018 Zhang D14/488
 D826,251 S * 8/2018 Mancuso D14/488
 D849,773 S * 5/2019 Jiang D14/486
 10,349,909 B2 7/2019 Okerlund et al.
 D863,339 S * 10/2019 Suter D14/486
 D889,478 S * 7/2020 Rotgans D14/485
 D899,441 S * 10/2020 Wen D14/485
 D904,429 S * 12/2020 Rothwell D14/488
 D937,871 S * 12/2021 Harvey D14/486
 D937,875 S * 12/2021 Harvey D14/486
 D938,980 S * 12/2021 Braica D14/488
 D941,324 S * 1/2022 Paul D14/486
 D943,620 S * 2/2022 Murray D14/492

2007/0116337 A1 5/2007 Toth
 2017/0086772 A1 3/2017 Vaz et al.
 2017/0209113 A1 7/2017 Jackson et al.
 2018/0049714 A1 2/2018 Nett
 2019/0231288 A1 8/2019 Profio et al.
 2019/0386891 A1* 12/2019 Chitalia H04L 41/22

OTHER PUBLICATIONS

Hinzpeter, R. et al., "CT Angiography of the Aorta: Contrast Timing by Using a Fixed versus a Patient-specific Trigger Delay," University of Zurich Open Repository and Archive Website, Available Online at <https://www.zora.uzh.ch/id/eprint/170529/1/radiol.2019182223.pdf>, Available as Early as May 2019, 10 pages.
 Lewis, C. et al., "Methods and Sytems for Protocol Management," U.S. Appl. No. 16/553,028, filed Aug. 27, 2019, 59 pages.
 Vaz, M. et al., "Methods and Systems for Timing a Second Contrast Bolus," U.S. Appl. No. 16/672,261, filed Nov. 1, 2019, 84 pages.
 Vaz, M. et al., "Methods and Systems for an Adaptive Multi-Phase Angiography Scan," U.S. Appl. No. 16/672,281, filed Nov. 1, 2019, 85 pages.
 Vaz, M. et al., "Methods and Systems for an Adaptive Five-Zone Perfusion Scan," U.S. Appl. No. 16/672,314, filed Nov. 1, 2019, 85 pages.
 Vaz, M. et al., "Methods and Systems for a Single-Bolus Angiography and Perfusion Scan," U.S. Appl. No. 16/672,336, filed Nov. 1, 2019, 85 pages.
 Vaz, M. et al., "Methods and Systems for an Adaptive Four-Zone Perfusion Scan," U.S. Appl. No. 16/672,350, filed Nov. 1, 2019, 85 pages.
 Vaz, M. et al., "Methods and Systems for an Adaptive Perfusion Scan," U.S. Appl. No. 16/698,291, filed Nov. 27, 2019, 43 pages.

* cited by examiner

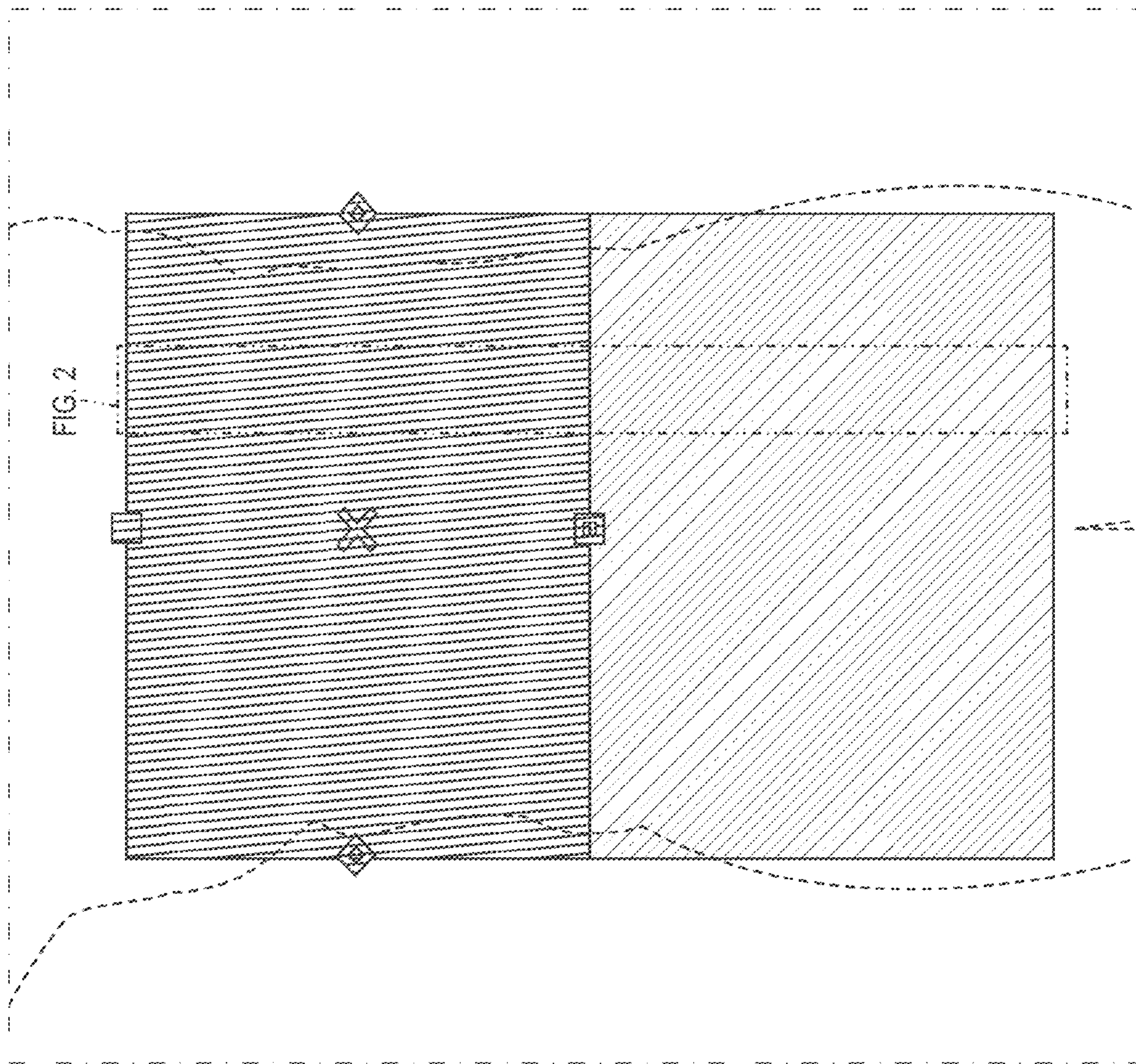


FIG. 2

FIG. 1

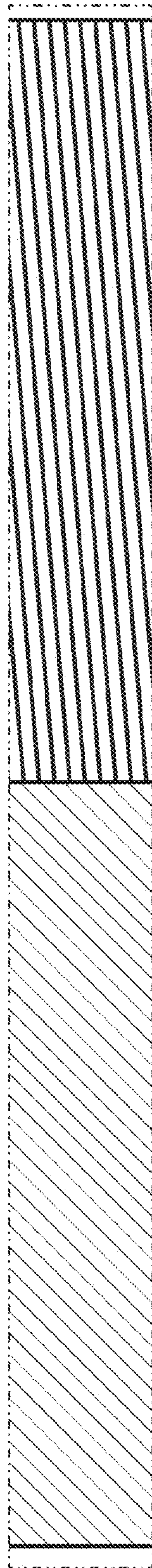


FIG. 2