



US00D973064S

(12) **United States Design Patent** (10) **Patent No.:** **US D973,064 S**
Hart et al. (45) **Date of Patent:** **** Dec. 20, 2022**

(54) **DISPLAY SCREEN OR PORTION THEREOF WITH ANIMATED CARD COMMUNICATION INTERFACE**

(71) Applicant: **Capital One Services, LLC**, McLean, VA (US)

(72) Inventors: **Colin Hart**, Arlington, VA (US); **Lea Cody**, Arlington, VA (US); **Ryan Cuppernull**, Richmond, VA (US); **Kaitlin Newman**, Washington, DC (US); **Lesley Newton**, Richmond, VA (US)

(73) Assignee: **CAPITAL ONE SERVICES, LLC**, McLean, VA (US)

(**) Term: **15 Years**

(21) Appl. No.: **29/728,442**

(22) Filed: **Mar. 18, 2020**

(51) **LOC (13) Cl.** **14-04**

(52) **U.S. Cl.**
USPC **D14/485**

(58) **Field of Classification Search**

USPC D14/485-495
CPC H04W 4/80; H04W 4/023; H04W 12/06; H04M 1/0202; G06K 7/10297; G06Q 20/3223; G06Q 20/351; G06Q 20/10; G06Q 20/326; G06Q 20/3278; G06Q 20/36; G06Q 20/18; G06Q 20/204; G06Q 20/34; G06Q

(Continued)

(56) **References Cited**

U.S. PATENT DOCUMENTS

D633,920 S * 3/2011 Luke D14/488
D750,644 S * 3/2016 Bhutani D14/485

(Continued)

FOREIGN PATENT DOCUMENTS

CN 202130128790.2 * 8/2021

OTHER PUBLICATIONS

“Debit Cards vs Credit Cards YouTube Open” Jun. 15, 2017, YouTube, site visited Mar. 18, 2022: <https://www.youtube.com/watch?v=dMRQp6uasjl> (Year: 2017).*

(Continued)

Primary Examiner — Katherine A Holbrow

Assistant Examiner — Christopher M Spivey

(74) *Attorney, Agent, or Firm* — Hunton Andrews Kurth LLP

(57) **CLAIM**

The ornamental design for a display screen or portion thereof with animated card communication interface, as shown and described.

DESCRIPTION

FIG. 1 is a first image in a sequence for a display screen or portion thereof with animated card communication interface showing the new design;

FIG. 2 is a second image thereof; and,

FIG. 3 is a third image thereof.

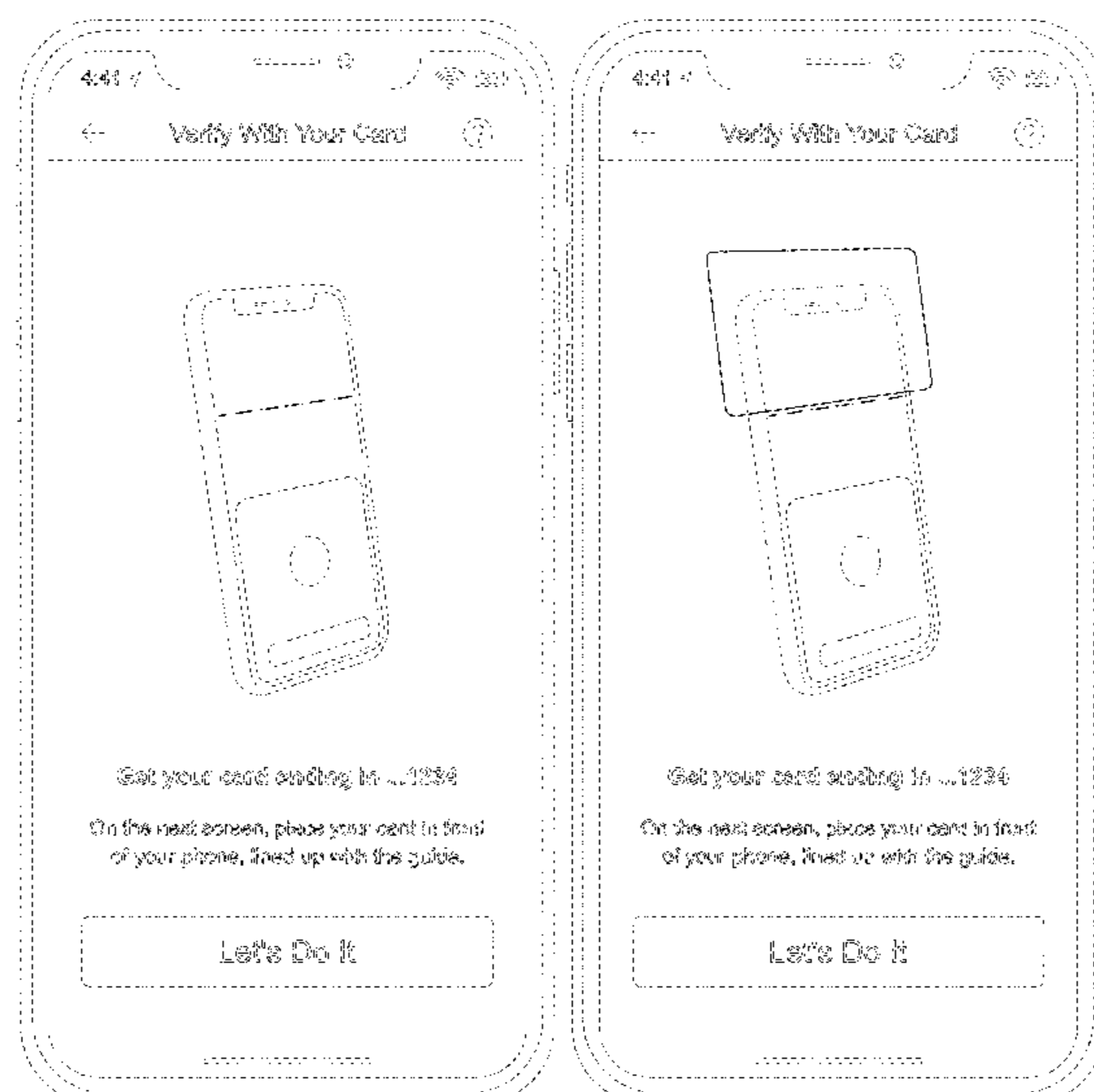
The appearance of the animated images sequentially transitions between the images shown in FIGS. 1 through 3.

The process or period in which one image transitions to another forms no part of the claimed design.

The elongated dashed lines forming a horizontal line in FIGS. 1 through 3 are included in the claimed design.

The long-dashed broken lines forming a horizontal line in FIGS. 1 through 3 are included in the claimed design. The short-dashed broken line showing of display screen or portion thereof and dashed showing of text is included for the purpose of illustrating portions of the article and forms no part of the claimed design; the short-dashed showing of a device is included for the purpose of illustrating environmental structure and forms no part of the claimed design.

1 Claim, 3 Drawing Sheets



(58) **Field of Classification Search**

CPC 20/352; G06Q 20/353; G06Q 20/4018;
 G06Q 30/0641; G06F 1/1601; G06F
 1/163; G06F 2200/1614; G06F
 2203/04802; G06F 3/0481; G06F
 3/04817; G06F 3/0482; G06F 3/04845;
 G06F 3/04886; G06F 3/048; G06F
 3/0483; G06F 3/04842; G06F 3/0485;
 G06F 3/04855; G06F 3/0486; G06F
 3/0488; G06F 40/103; G06F 40/106

See application file for complete search history.

(56) **References Cited**

U.S. PATENT DOCUMENTS

D758,424 S * 6/2016 Ding D14/488
 D785,013 S * 4/2017 Kuhn D14/485
 D802,606 S * 11/2017 Bauducco D14/485
 D803,869 S * 11/2017 Kuhn D14/488
 D813,890 S * 3/2018 Pitman D14/486
 D815,666 S * 4/2018 Burns D14/488
 D819,685 S * 6/2018 Lee D14/488
 D834,059 S * 11/2018 Wilde D14/488
 D871,451 S * 12/2019 Fujiyama D14/492
 D904,420 S * 12/2020 Hansen D14/493
 10,885,514 B1 * 1/2021 Hart G06Q 20/3278
 D917,506 S * 4/2021 Berkover D14/485
 D917,557 S * 4/2021 Cody D14/485
 D921,000 S * 6/2021 Cinek D14/485
 D922,410 S * 6/2021 DeDonato D14/485
 D931,302 S * 9/2021 Rhyu D14/485
 D931,892 S * 9/2021 Nurutdinov D14/486
 11,129,018 B2 * 9/2021 Kim G06Q 20/32
 D937,889 S * 12/2021 Underwood D14/487
 D937,895 S * 12/2021 Jaye D14/492
 D939,558 S * 12/2021 De Cock D14/486
 D939,574 S * 12/2021 Jaye D14/492
 D940,168 S * 1/2022 Graves D14/486

D943,616 S * 2/2022 Underwood D14/486
 D944,280 S * 2/2022 Underwood D14/487
 D949,192 S * 4/2022 Li D14/487
 D951,290 S * 5/2022 Hart D14/488
 D953,355 S * 5/2022 Yang D14/486
 D956,063 S * 6/2022 Hart D14/485
 D957,423 S * 7/2022 Carpenter D14/485
 2014/0244494 A1 * 8/2014 Davis G06Q 20/36
 705/41
 2015/0346994 A1 * 12/2015 Chanyontpatanakul
 G06F 3/0482
 715/828
 2016/0232600 A1 * 8/2016 Purves G06Q 20/351
 2019/0385160 A1 * 12/2019 Safak G06Q 20/3227
 2020/0105064 A1 * 4/2020 Gulersen G02B 27/017

OTHER PUBLICATIONS

“Credit Card Animation—Green Screen—Free Stock Footage” May
 20, 2021, YouTube, site visited Mar. 21, 2022: <https://www.youtube.com/watch?v=eAQxRy6uJfw> (Year: 2021).*

“Credit Card vs. Debit Card Explained In Under 2 Minutes” Aug.
 20, 2019, YouTube, site visited Mar. 18, 2022: <https://www.youtube.com/watch?v=T3wxogO1nYU> (Year: 2019).*

Constantin, Claudiu “Figma Tutorial—How to make an Isometric
 Card Animation” Feb. 9, 2020, YouTube, site visited Mar. 18, 2022:
<https://www.youtube.com/watch?v=Epea6ulkjXs> (Year: 2020).*

“Morphin—CGI GIF Studio” Dec. 18, 2019, YouTube, site visited
 Mar. 18, 2022: <https://www.youtube.com/watch?v=iSQafn20rFM>
 (Year: 2019).*

Ma, Xiaoping “100 Days of UI #003 Credit Card Payment” Sep. 20,
 2017, Dribbble, site visited Jan. 5, 2022: [https://dribbble.com/shots/
 3820911-100-Days-of-UI-003-Credit-Card-Payment](https://dribbble.com/shots/3820911-100-Days-of-UI-003-Credit-Card-Payment) (Year: 2017).*

Chhatwal, Ronak “Add Card Interaction for wallet App” Mar. 28,
 2019, Dribbble, site visited Jan. 5, 2022: [https://dribbble.com/shots/
 6248874-Add-Card-Interaction-for-wallet-App](https://dribbble.com/shots/6248874-Add-Card-Interaction-for-wallet-App) (Year: 2019).*

* cited by examiner

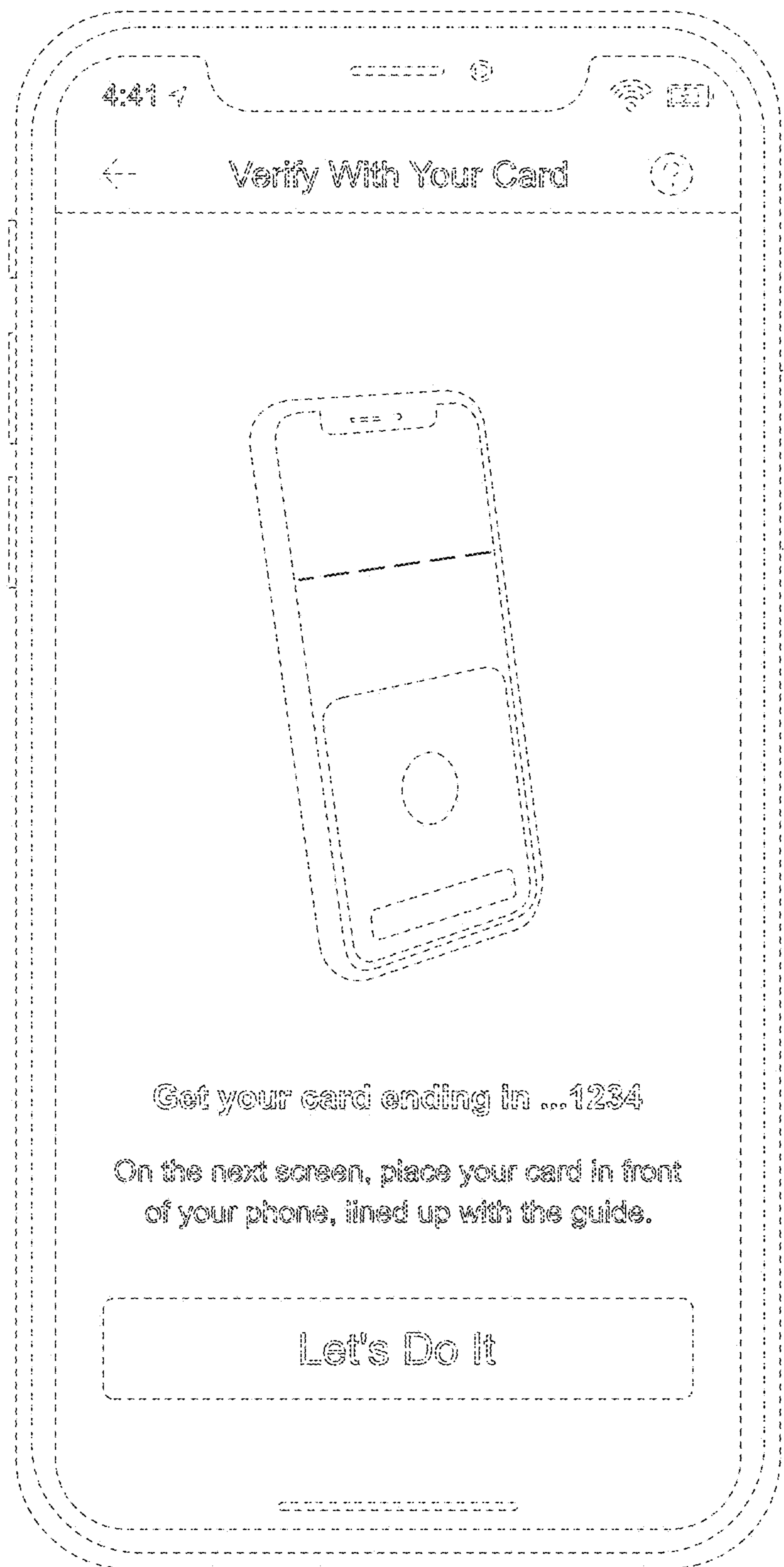


FIG. 1

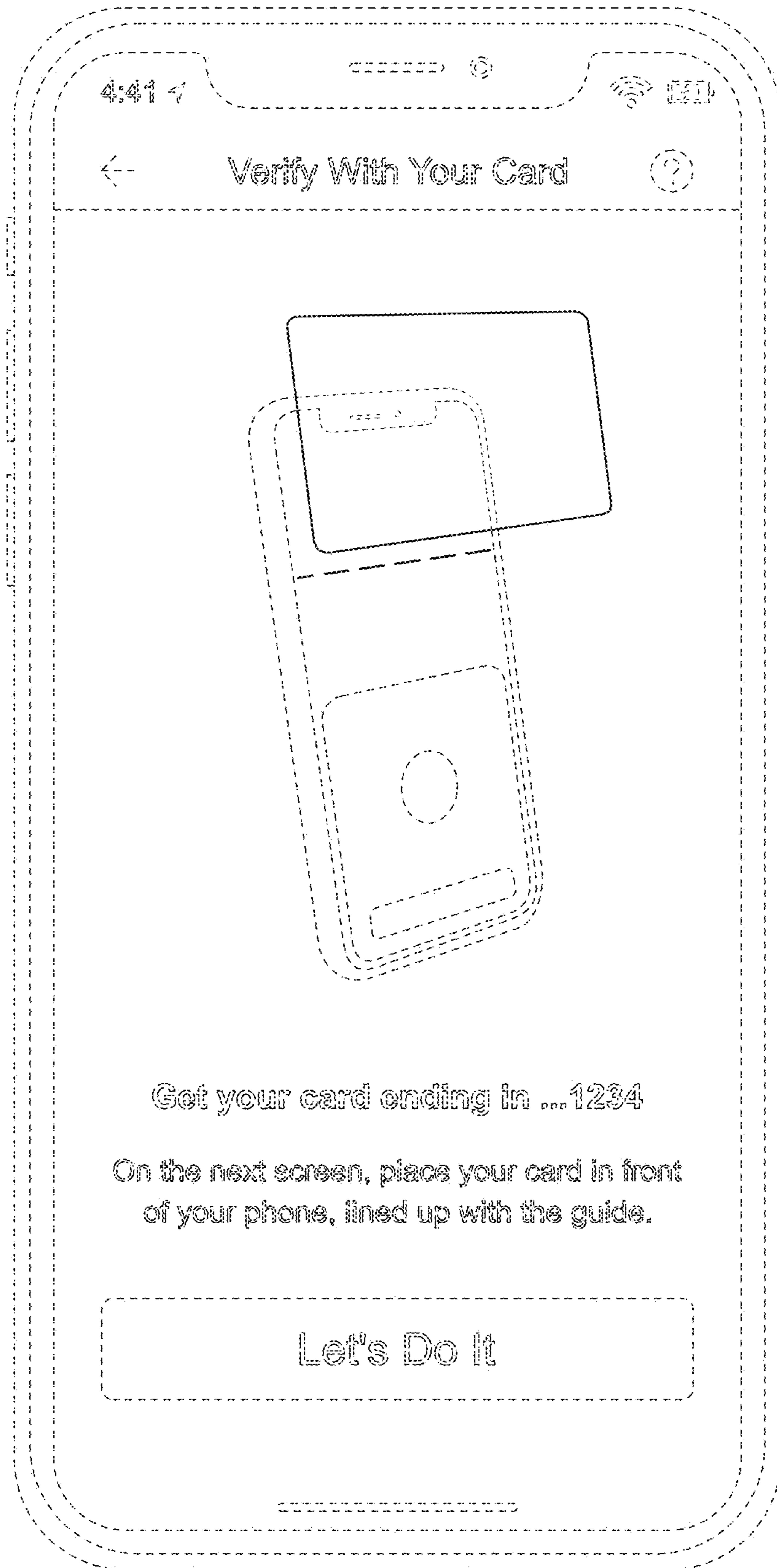


FIG. 2

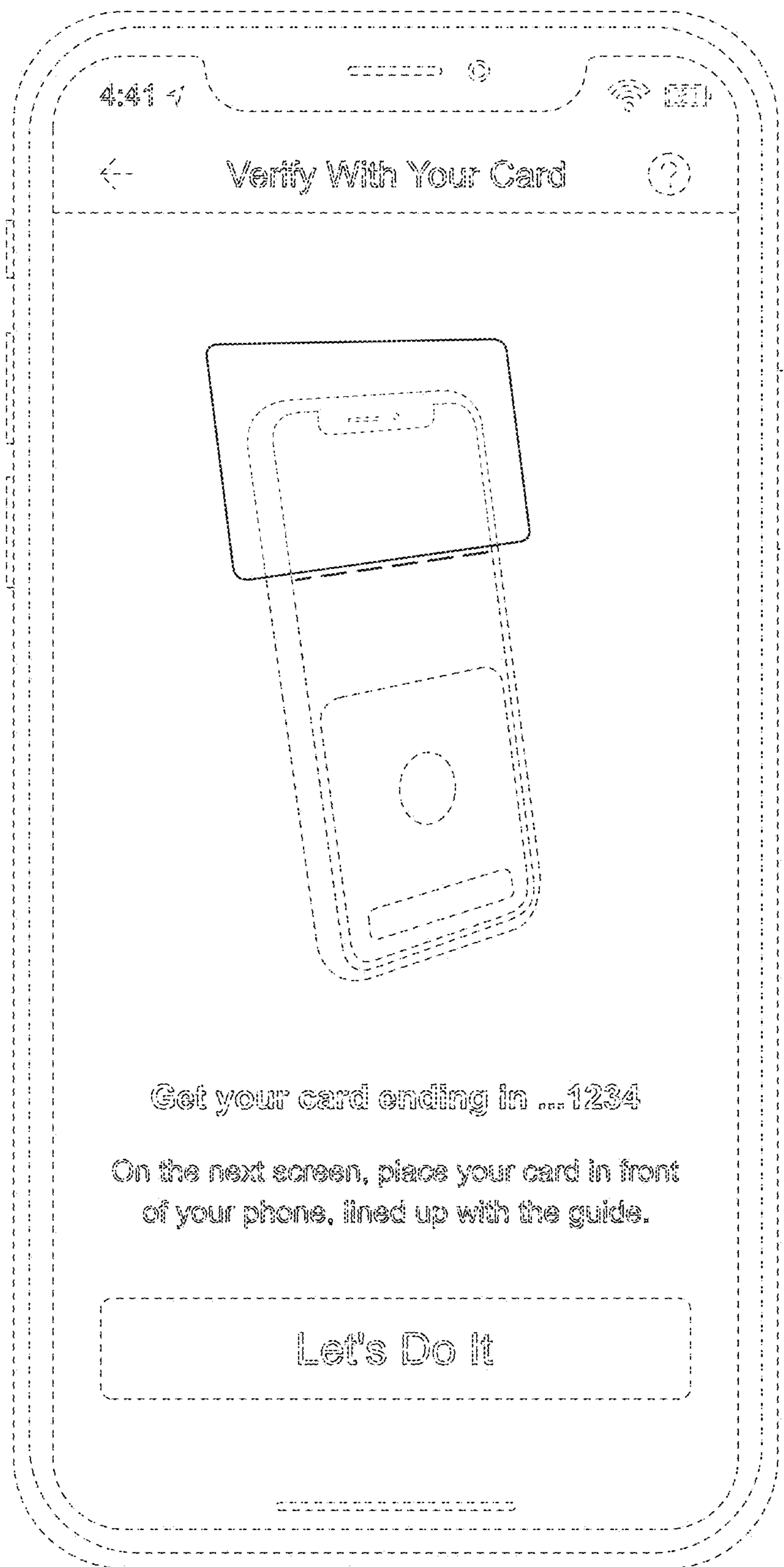


FIG. 3