



US00D973058S

(12) **United States Design Patent**
Li

(10) **Patent No.:** **US D973,058 S**

(45) **Date of Patent:** **** Dec. 20, 2022**

(54) **PROTECTIVE COVER FOR TABLET**

D946,579 S * 3/2022 Tan D14/440
D963,654 S * 9/2022 Yan D14/440
D963,655 S * 9/2022 Ding D14/440

(71) Applicant: **SHENZHEN HONGGAODA INDUSTRY CO., LTD.**, Shenzhen (CN)

(72) Inventor: **Jianhui Li**, Shenzhen (CN)

(73) Assignee: **SHENZHEN HONGGAODA INDUSTRY CO., LTD.**, Shenzhen (CN)

(**) Term: **15 Years**

(21) Appl. No.: **29/778,163**

(22) Filed: **Apr. 12, 2021**

(51) **LOC (13) Cl.** **14-02**

(52) **U.S. Cl.**
USPC **D14/440**

(58) **Field of Classification Search**
USPC D14/315, 318, 324, 328, 341, 344, 345,
D14/389, 392, 440, 444, 445, 446, 250;
D19/26, 62; D3/247, 290, 299, 206
CPC A45C 2011/002; A45C 2011/003; A45C
2200/15; A45F 2200/0516; A45F
2200/525; G06F 1/1628; G06F 1/1632;
G06F 1/1669; G06F 2200/1633; H04B
1/3888; H04M 1/185

See application file for complete search history.

(56) **References Cited**

U.S. PATENT DOCUMENTS

D747,321 S * 1/2016 London D14/440
D803,222 S * 11/2017 Cheng D14/440
D902,216 S * 11/2020 Xu D14/440
D920,337 S * 5/2021 Chan D14/440
D920,983 S * 6/2021 Chan D14/440
D923,012 S * 6/2021 Li D14/440
D930,002 S * 9/2021 Zhou D14/440
D937,275 S * 11/2021 Cheng D14/440

OTHER PUBLICATIONS

Fintie Case for iPad 9th/8th/7th Generation, posted Nov. 28, 2019 [online], [retrieved Oct. 11, 2022]. Retrieved from internet, <https://www.amazon.com/gp/product/B08238849C?th=1> (Year: 2019).*
Kids Case for Lenovo Tab M8 2020, posted Jun. 20, 2022 [online], [retrieved Oct. 11, 2022]. Retrieved from internet, <https://www.amazon.com/Lenovo-Shoulder-Shockproof-Portable-Rotating/dp/B0B4JSD3GH?th=1> (Year: 2022).*

(Continued)

Primary Examiner — Marie D. Fast Horse

Assistant Examiner — Josiah D. Parsons

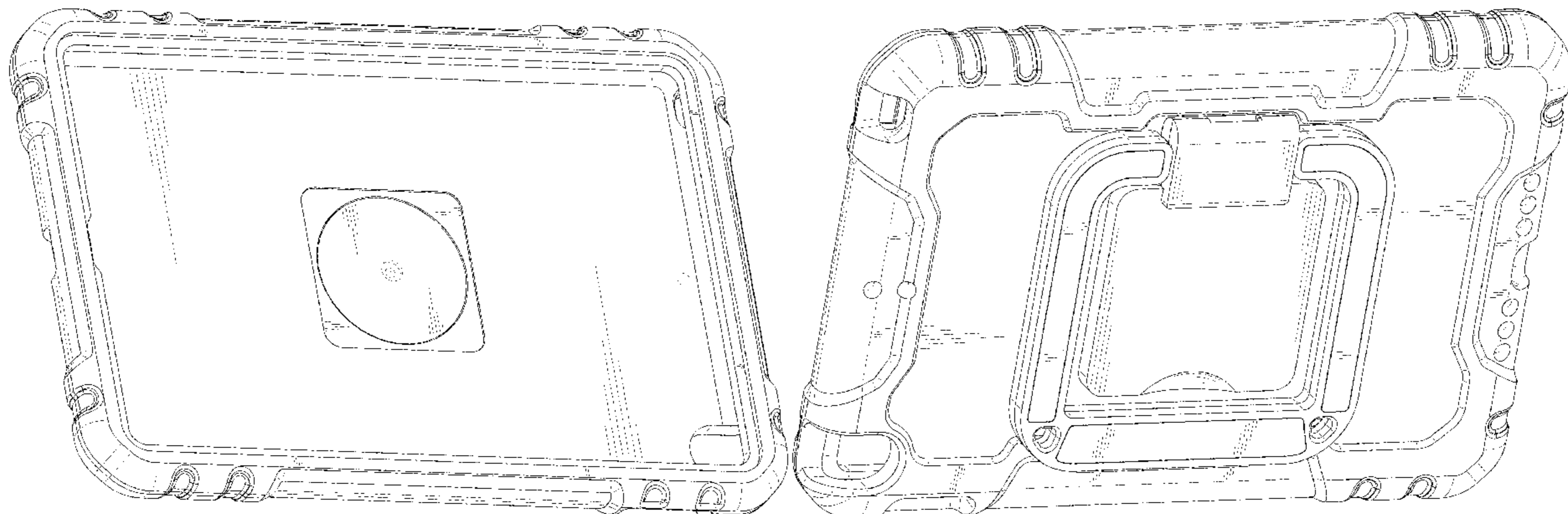
(57) **CLAIM**

The ornamental design for a protective cover for tablet, as shown and described.

DESCRIPTION

FIG. 1 is a perspective view of a protective cover for tablet showing my new design;
FIG. 2 is another perspective view thereof;
FIG. 3 is a front elevational view thereof;
FIG. 4 is a rear elevational view thereof;
FIG. 5 is a left side elevational view thereof;
FIG. 6 is a right side elevational view thereof;
FIG. 7 is a top plan view thereof;
FIG. 8 is a bottom plan view thereof; and,
FIG. 9 is a perspective view of the protective cover for tablet where a kickstand of the protective cover for tablet is in an open state.
The broken lines in the drawings depict portions of the protective cover for tablet that form no part of the claimed design.

1 Claim, 9 Drawing Sheets



(56)

References Cited

OTHER PUBLICATIONS

BMOUO Kids Case for iPad 9th/8th/7th Generation, posted Jul. 9, 2021 [online], [retrieved Oct. 11, 2022]. Retrieved from internet, <https://www.amazon.com/BMOUO-8th-7th-10-2-Lightweight/dp/B09HKJZFG4?th=1> (Year: 2021).*

* cited by examiner

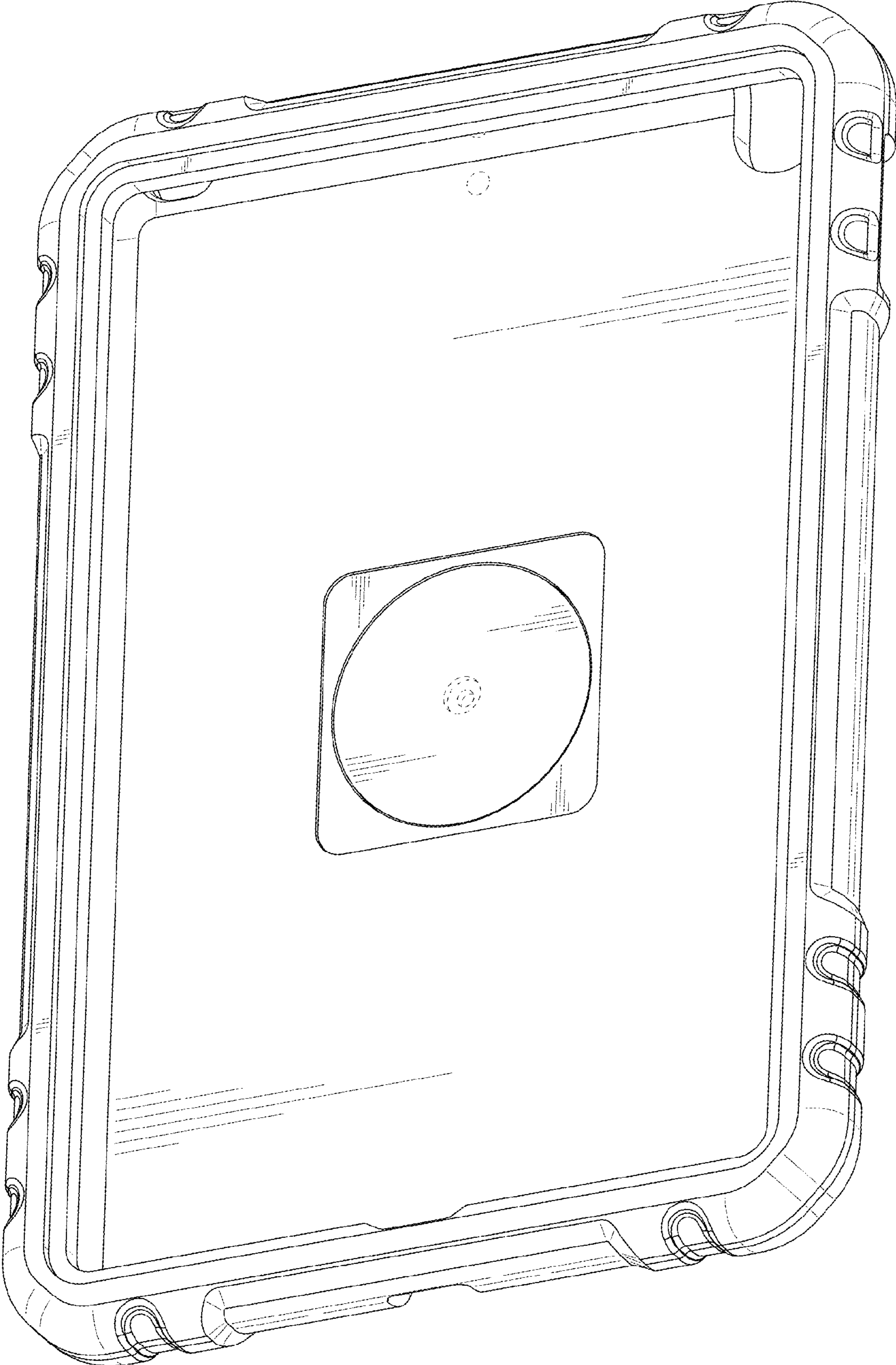


FIG. 1

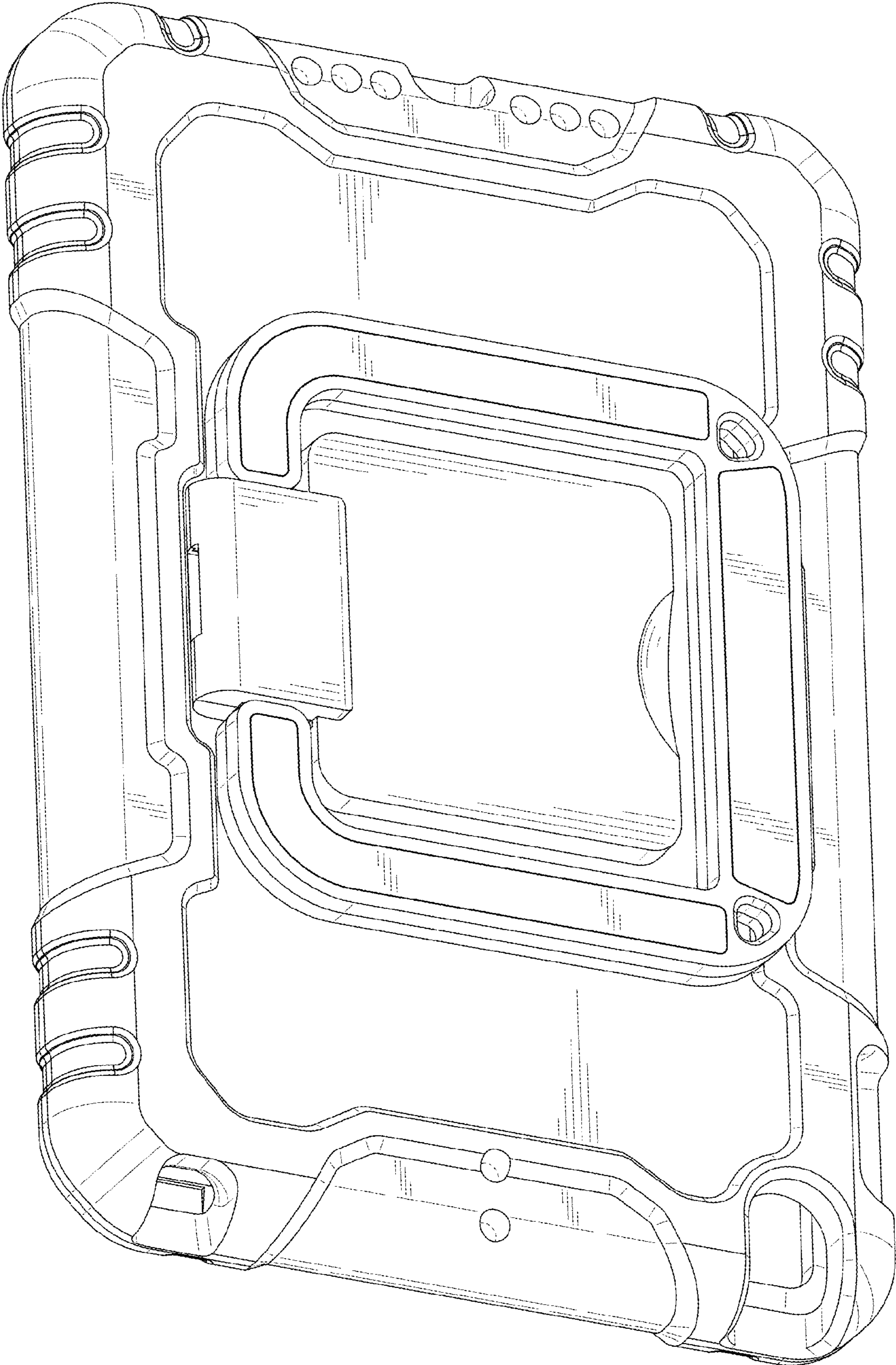


FIG. 2

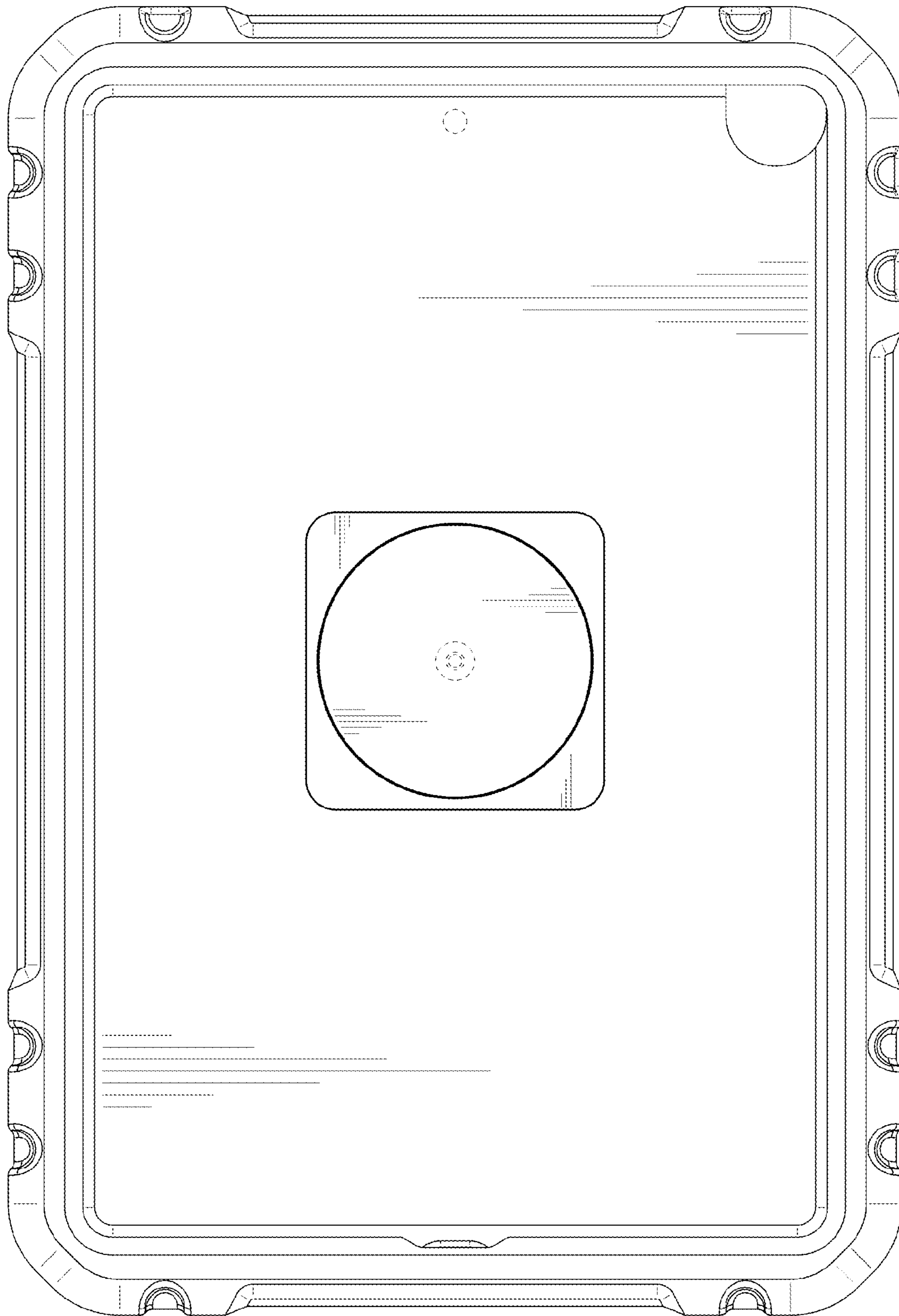


FIG. 3

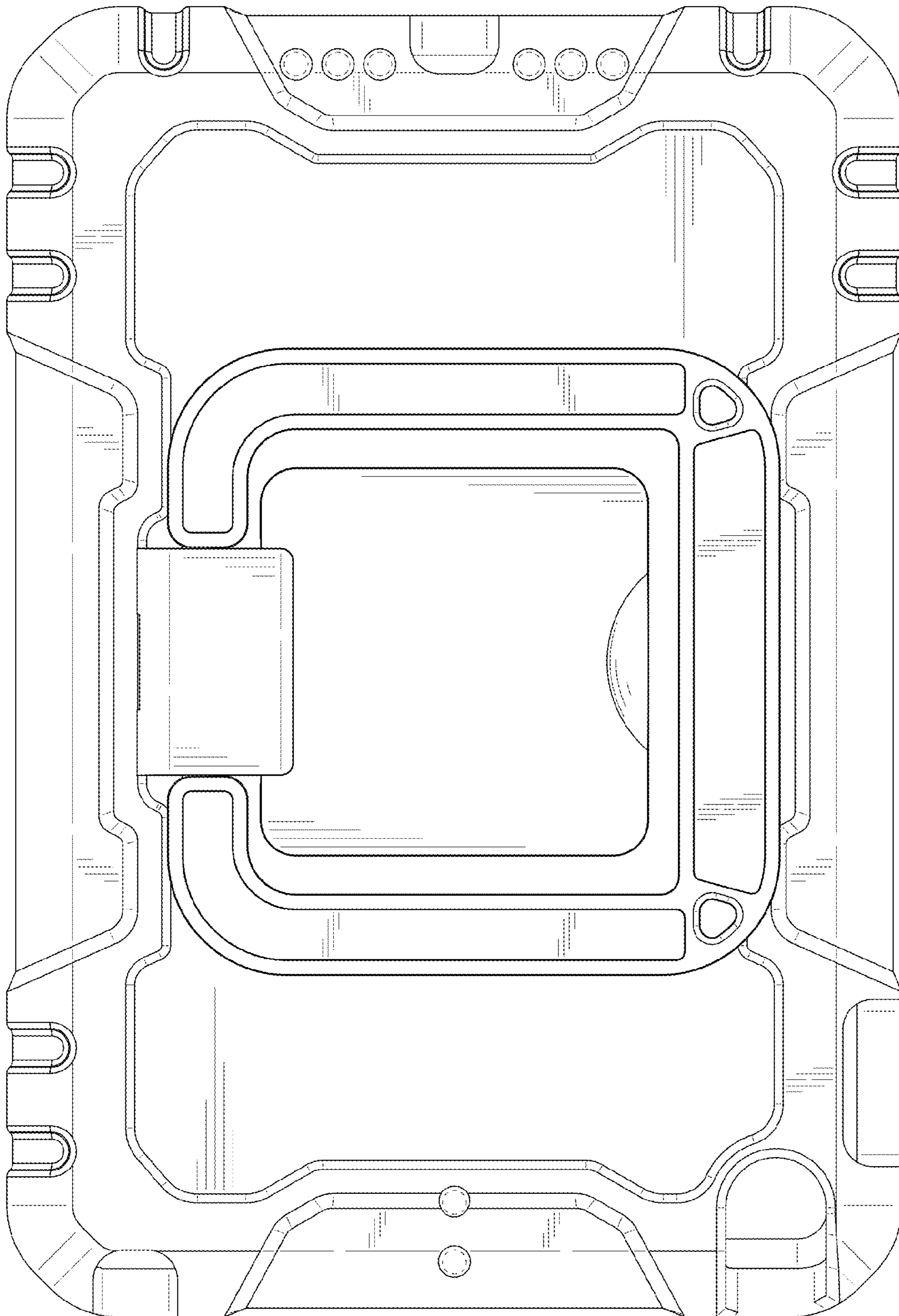


FIG. 4

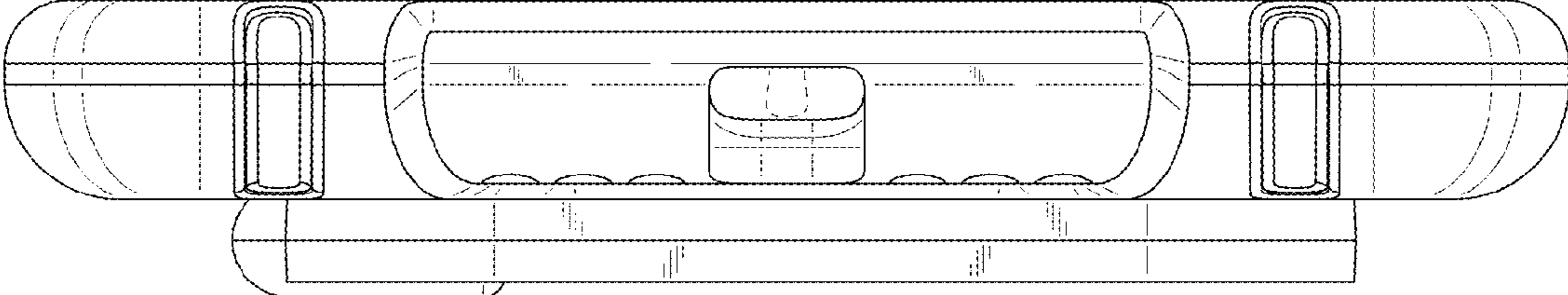


FIG. 5

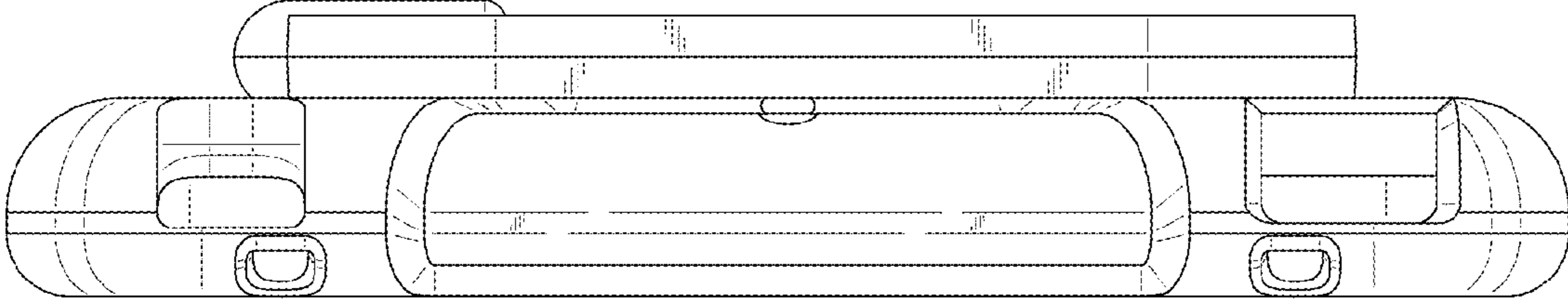


FIG. 6

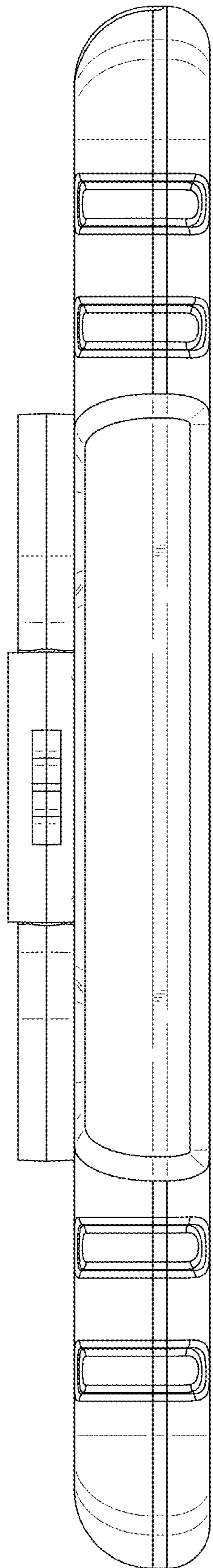


FIG. 7

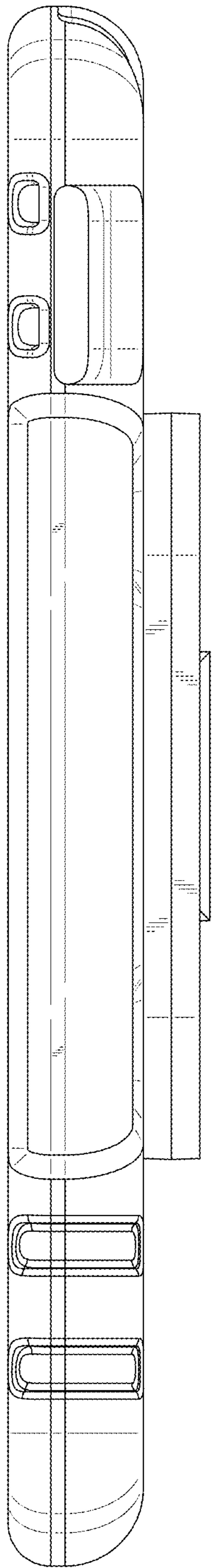


FIG. 8

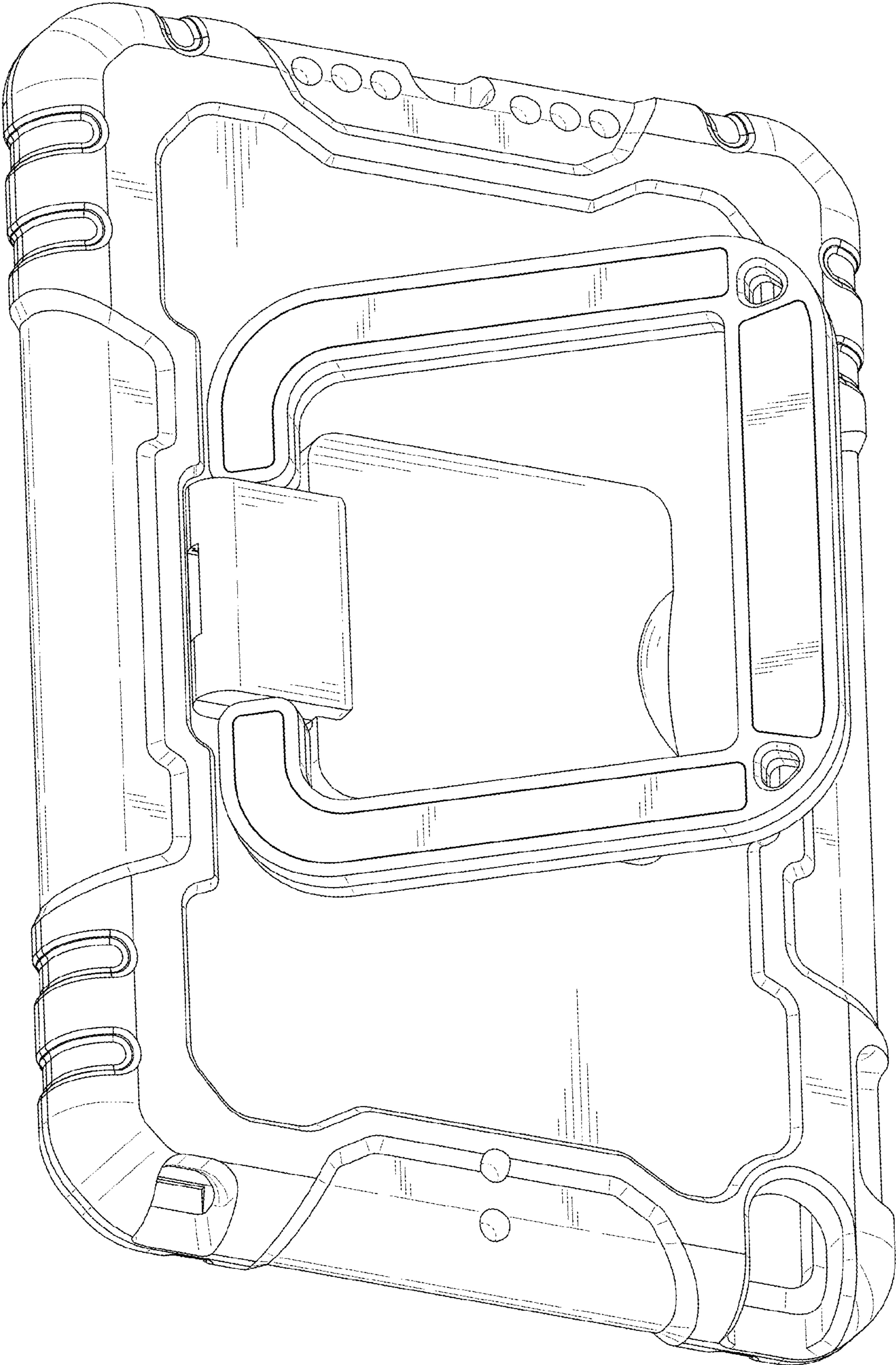


FIG. 9