



US00D973057S

(12) **United States Design Patent** (10) **Patent No.:** **US D973,057 S**
Hafen et al. (45) **Date of Patent:** **** Dec. 20, 2022**

(54) **CUSTOMIZABLE MARKETING APPARATUS WITH TRAPEZOID CUTOUT**

(71) Applicant: **MEDIA FAST, LC**, American Fork, UT (US)

(72) Inventors: **Amy Hafen**, American Fork, UT (US); **William Diaz**, American Fork, UT (US)

(73) Assignee: **MEDIA FAST, LC**, American Fork, UT (US)

(**) Term: **15 Years**

(21) Appl. No.: **29/696,208**

(22) Filed: **Jun. 26, 2019**

Related U.S. Application Data

(63) Continuation of application No. 15/088,480, filed on Apr. 1, 2016, now Pat. No. 10,455,709.

(51) **LOC (13) Cl.** **14-02**

(52) **U.S. Cl.**
USPC **D14/440**; D20/10; D19/1

(58) **Field of Classification Search**
USPC D14/440, 447, 250; 206/45.23, 320, 206/45.2; 361/679.55; 294/25; 224/218; D19/1; D20/10

(Continued)

(56) **References Cited**

U.S. PATENT DOCUMENTS

D54,610 S 3/1920 Evans
4,484,768 A 11/1984 Norfleet
(Continued)

FOREIGN PATENT DOCUMENTS

CN 204759956 U 11/2015
WO 2016050966 A1 4/2016
WO 2017/172583 A2 10/2017

OTHER PUBLICATIONS

“Cirque de Baby, <https://cirquedebaby.wordpress.com/category/pregnancy-2/ultrasounds-and-appointments/>, Sep. 25, 2013. (Year: 2013)”.

(Continued)

Primary Examiner — Cynthia R Underwood

(74) *Attorney, Agent, or Firm* — Workman Nydegger

(57) **CLAIM**

The customizable marketing apparatus with a trapezoid cutout, as shown and described.

DESCRIPTION

FIG. 1 is a front, facing view of an unfolded customizable marketing apparatus with a trapezoid cutout including our design;

FIG. 2 is a front, facing view of the unfolded customizable marketing apparatus with a trapezoid cutout with three tabs extending from the left most flap folded in according to our new design;

FIG. 3 is a bottom profile view thereof;

FIG. 4 is a front, facing view thereof with the rightmost flap folded in;

FIG. 5 is a bottom profile view thereof;

FIG. 6 is a front, facing view thereof with the rightmost flaps folded in and the leftmost flap folded in;

FIG. 7 is a bottom profile view thereof;

FIG. 8 is a rear, facing view thereof with the two rightmost flaps folded in and the leftmost flap folded in;

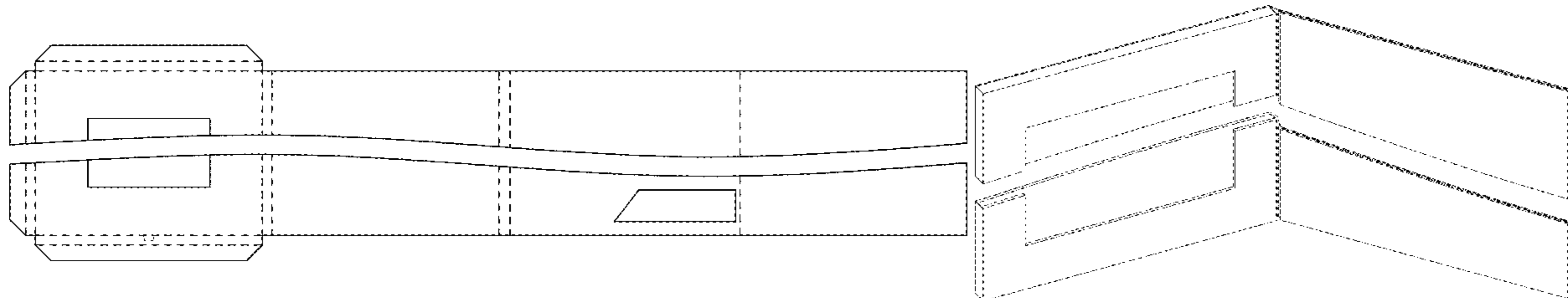
FIG. 9 is a bottom profile view thereof;

FIG. 10 is a front, perspective view thereof with an open front flap; and,

FIG. 11 is a front, perspective view thereof with a closed front flap.

The broken line showing of elements on the customizable marketing apparatus with a trapezoid cutout illustrate fold lines.

1 Claim, 6 Drawing Sheets



(58) **Field of Classification Search**
 CPC G06F 1/1628; G06F 1/1626; G06F 1/699;
 A47B 23/044; H04B 1/3888; H05K
 5/0017; B42D 15/0053; B42D 15/042
 See application file for complete search history.

(56) **References Cited**

U.S. PATENT DOCUMENTS

D283,231 S 4/1986 Bradenburger
 5,361,521 A 11/1994 Burtch
 5,822,896 A * 10/1998 Milstein B42D 15/042
 229/92.8
 5,845,425 A * 12/1998 Leake A47G 1/14
 40/725
 6,209,924 B1 * 4/2001 Pyle B42D 15/042
 283/117
 D451,951 S * 12/2001 Dusanter D19/1
 6,449,891 B1 * 9/2002 Miska A47G 1/0633
 40/788
 6,525,706 B1 * 2/2003 Rehkemper G09B 5/06
 345/87
 6,584,717 B2 * 7/2003 Cinquina A47G 1/141
 40/788
 6,718,676 B2 * 4/2004 Miska A47G 1/141
 40/738
 6,871,430 B1 * 3/2005 Landolt B42D 15/047
 40/124.12
 6,905,019 B2 6/2005 Lacomis
 6,978,562 B2 * 12/2005 Frenkel B42D 15/042
 40/124.06
 D521,553 S * 5/2006 Serman D19/2
 D602,516 S * 10/2009 Miller D20/27
 D616,929 S * 6/2010 Krivanek D19/1
 7,810,261 B2 10/2010 Rosendale et al.
 D629,458 S * 12/2010 Clegg D19/1
 D629,459 S * 12/2010 Clegg D19/1
 D632,330 S * 2/2011 Qiao D19/1
 D632,734 S * 2/2011 Qiao D19/1
 D642,611 S * 8/2011 Clegg D19/1
 D643,060 S * 8/2011 Clegg D19/1
 D647,559 S * 10/2011 Clegg D19/1
 D649,588 S * 11/2011 Clegg D19/1
 8,069,594 B2 * 12/2011 Tsai B42D 15/042
 40/124.12
 D654,113 S * 2/2012 Clegg D19/1
 D655,750 S * 3/2012 Clegg D19/1
 D658,898 S 5/2012 Dinello et al.
 D659,754 S * 5/2012 Rossiter D19/1
 D660,909 S * 5/2012 Clegg D19/1
 D661,349 S * 6/2012 Picard D19/3
 D661,732 S * 6/2012 Clegg D19/1
 D691,194 S 10/2013 Clegg et al.
 D745,605 S * 12/2015 Dancausse D20/27
 D755,895 S * 5/2016 Garfinkle D20/27
 D762,262 S 7/2016 Richardson
 D784,455 S 4/2017 Sims
 D790,007 S * 6/2017 Knight D19/1
 D809,470 S 2/2018 Dancsecs
 D813,312 S 3/2018 Mahbubani et al.
 D813,943 S 3/2018 Kucher
 D832,270 S 10/2018 Cheng
 D844,011 S 3/2019 Lin
 D864,279 S 10/2019 Wang
 10,455,709 B2 * 10/2019 Hafen G06Q 90/00
 D884,710 S 5/2020 Hyun
 10,660,222 B2 5/2020 Hafen et al.
 D892,126 S 8/2020 Kim et al.
 D910,643 S 2/2021 Li
 D924,242 S 7/2021 Hafen et al.
 D924,243 S * 7/2021 Hafen H05K 5/0017
 D14/440
 D924,875 S 7/2021 Hafen et al.
 2003/0098581 A1 5/2003 Cundiff
 2004/0128876 A1 7/2004 Cheek et al.
 2006/0097030 A1 5/2006 Corr et al.

2007/0171278 A1 7/2007 Chen
 2008/0289230 A1 11/2008 Mandelbaum et al.
 2009/0211126 A1 8/2009 Oh
 2010/0250255 A1 9/2010 Stern
 2011/0088293 A1 * 4/2011 Mason B42D 15/022
 40/124.03
 2011/0088294 A1 4/2011 Docking
 2011/0094132 A1 4/2011 Defranco et al.
 2011/0154698 A1 * 6/2011 Lin B42D 15/022
 40/124.03
 2011/0232141 A1 9/2011 Sapp et al.
 2011/0247247 A1 * 10/2011 Mayer B42D 15/022
 40/124.03
 2012/0308981 A1 12/2012 Libin et al.
 2013/0126598 A1 5/2013 Beadles et al.
 2014/0041264 A1 2/2014 Chambers
 2015/0022980 A1 1/2015 Van Den Brink et al.
 2015/0371288 A1 12/2015 Maggio
 2017/0172583 A1 10/2017 Hafen
 2017/0290174 A1 10/2017 Hafen et al.
 2017/0297360 A1 10/2017 Milon
 2020/0281081 A1 9/2020 Hafen et al.

OTHER PUBLICATIONS

Non-Final Office Action for U.S. Appl. No. 15/088,480 dated Jan. 15, 2019.
 Non-Final Office Action for U.S. Appl. No. 29/559,949 dated Sep. 29, 2017.
 Non-Final Office Action for U.S. Appl. No. 16/563,486 dated Jan. 23, 2020.
 Download Templates, (MediaWrite) [online], [retrieved on Apr. 18, 2019] <URL: <https://www.mediawrite.com/download/>>.
 Gallery, (IdealContent) [online], [retrieved on Apr. 18, 2019] <URL: <https://idealcontent.com/gallery/>>.
 Helping You Create a Successful Video Brochure for Your Business, (Curveball) [online], [retrieved on Apr. 18, 2019] <URL: http://www.curveballprintedmedia.com/video-brochures-welcome/?gclid=EAIalQobChMlzd4qKz4AIVwkCGCh2G2A_1EAAYAiAAEgL80_D_BwE>.
 Product Overview, (Video Smartbooks LLC) [online], [retrieved on Apr. 18, 2019] <URL: https://www.videosmartbooks.com/product-overview/?gclid=EAIalqobChMI_-qjvrb4AIVB41pCh3q6AbOEAMYAyAAEgJL3_D_BwE>.
 Screen captures from YouTube video clip entitled “Coll Video Brochure Explainer,” 3 pages, uploaded on Sep. 17, 2015 by user “DHD Films”. Retrieved from Internet: <<https://www.youtube.com/watch?v=OktljEMEUIQ>>.
 Video Brochure, (Video Plus Print) [online], [retrieved on Apr. 18, 2019] <URL: <https://www.videoplusprint.com/video-brochure.html>>.
 Video brochures and video mailers, (redpaperplane by Structural Graphics) [online], [retrieved on Apr. 18, 2019] <URL: <https://www.redpaperplane.com/store/creative-direct-mail/videobrochures?m-ode=grid>>.
 Video Business Cards, Video Brochures & Video Mailers, (the videocards.com) [online], [retrieved on Apr. 18, 2019] <URL: <https://www.thevideocards.com>>.
 Video in Print, (americhip) [online], [retrieved on Apr. 18, 2019] <URL: <https://www.americhip.com/product/video-in-print.html>>.
 Video in Print, (Structural Graphics) [online], [retrieved on Apr. 18, 2019] <URL: <https://www.structuralgraphics.com/work/video-in-print>>.
 Notice of Allowance received for U.S. Appl. No. 16/874,921, dated Jul. 8, 2022, 3 pages.
 Final Office Action received for U.S. Appl. No. 16/874,921, dated Mar. 3, 2021, 7 pages.
 Final Office Action received for U.S. Appl. No. 16/874,921, dated Sep. 27, 2021, 8 pages.
 Non-Final Office Action received for U.S. Appl. No. 16/874,921, dated Jun. 14, 2021, 7 pages.
 Non-Final Office Action received for U.S. Appl. No. 16/874,921, dated Sep. 17, 2020, 9 pages.

(56)

References Cited

OTHER PUBLICATIONS

Office Action received for Chinese Patent Application No. 201780031601, dated Nov. 26, 2021, 15 pages (9 pages of English Translation and 6 pages of Original Document).

* cited by examiner

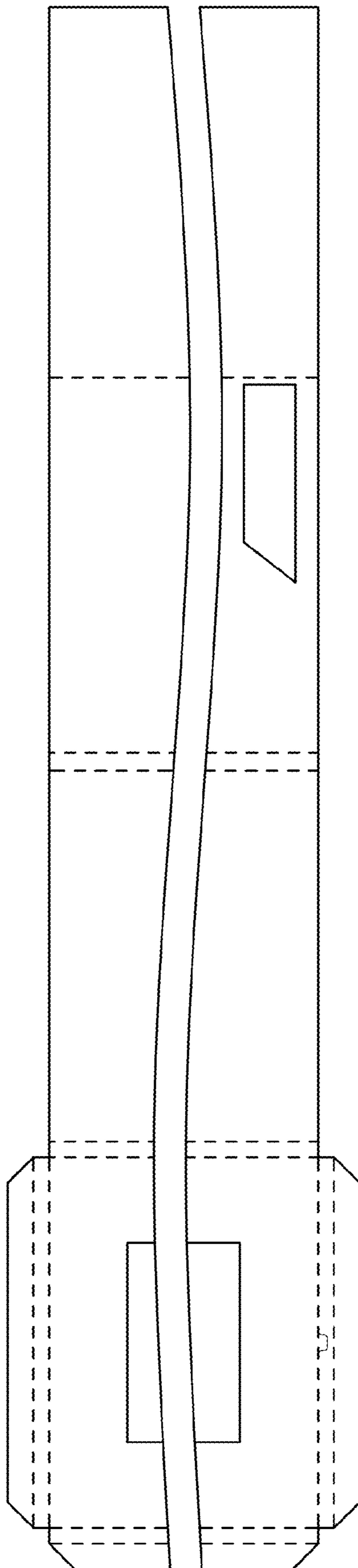


FIG. 1

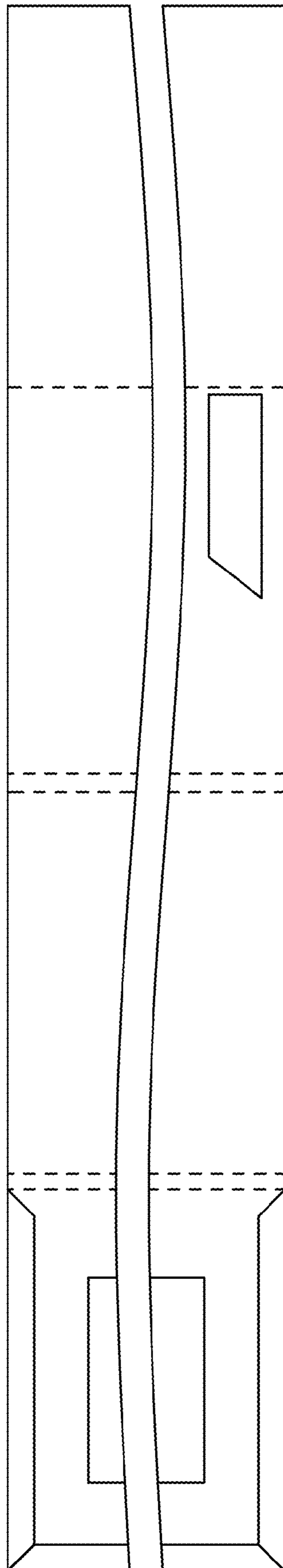


FIG. 2

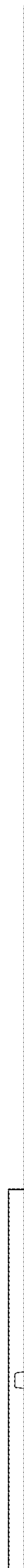


FIG. 3

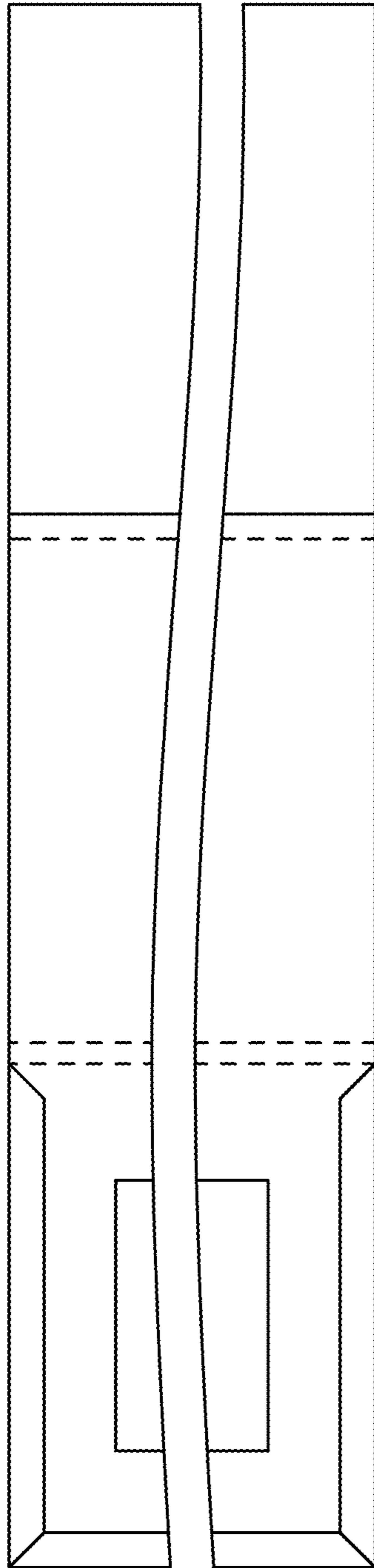


FIG. 4



FIG. 5

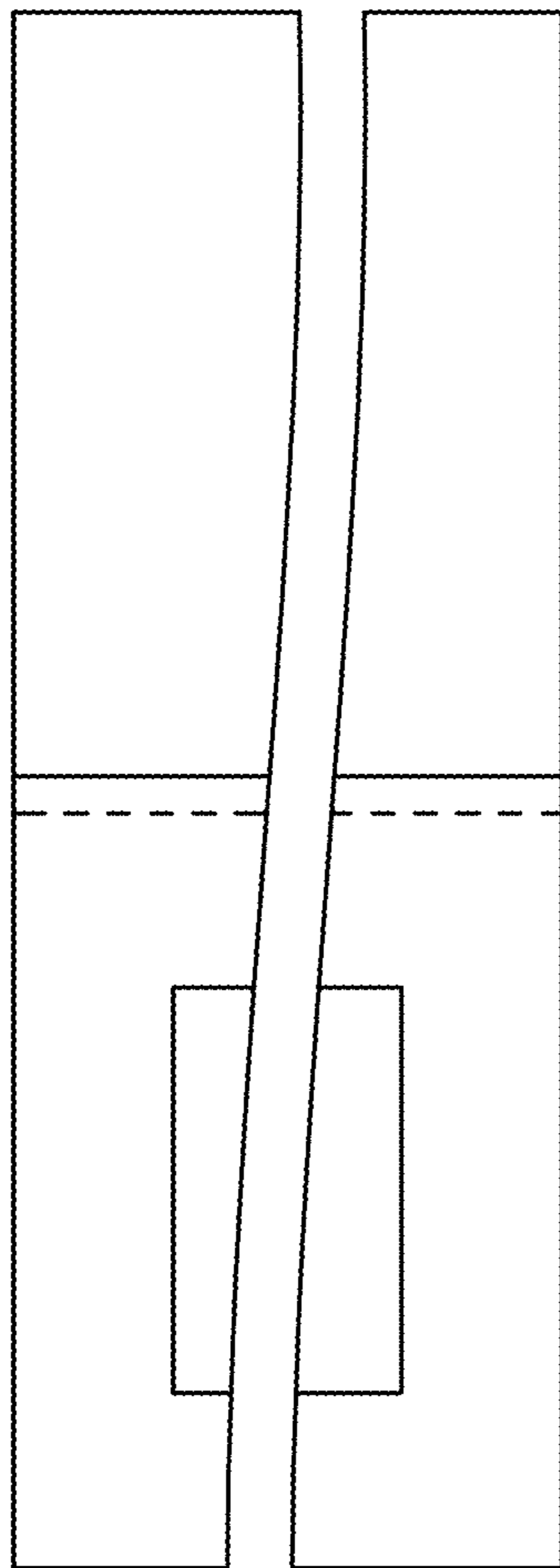


FIG. 6



FIG. 7

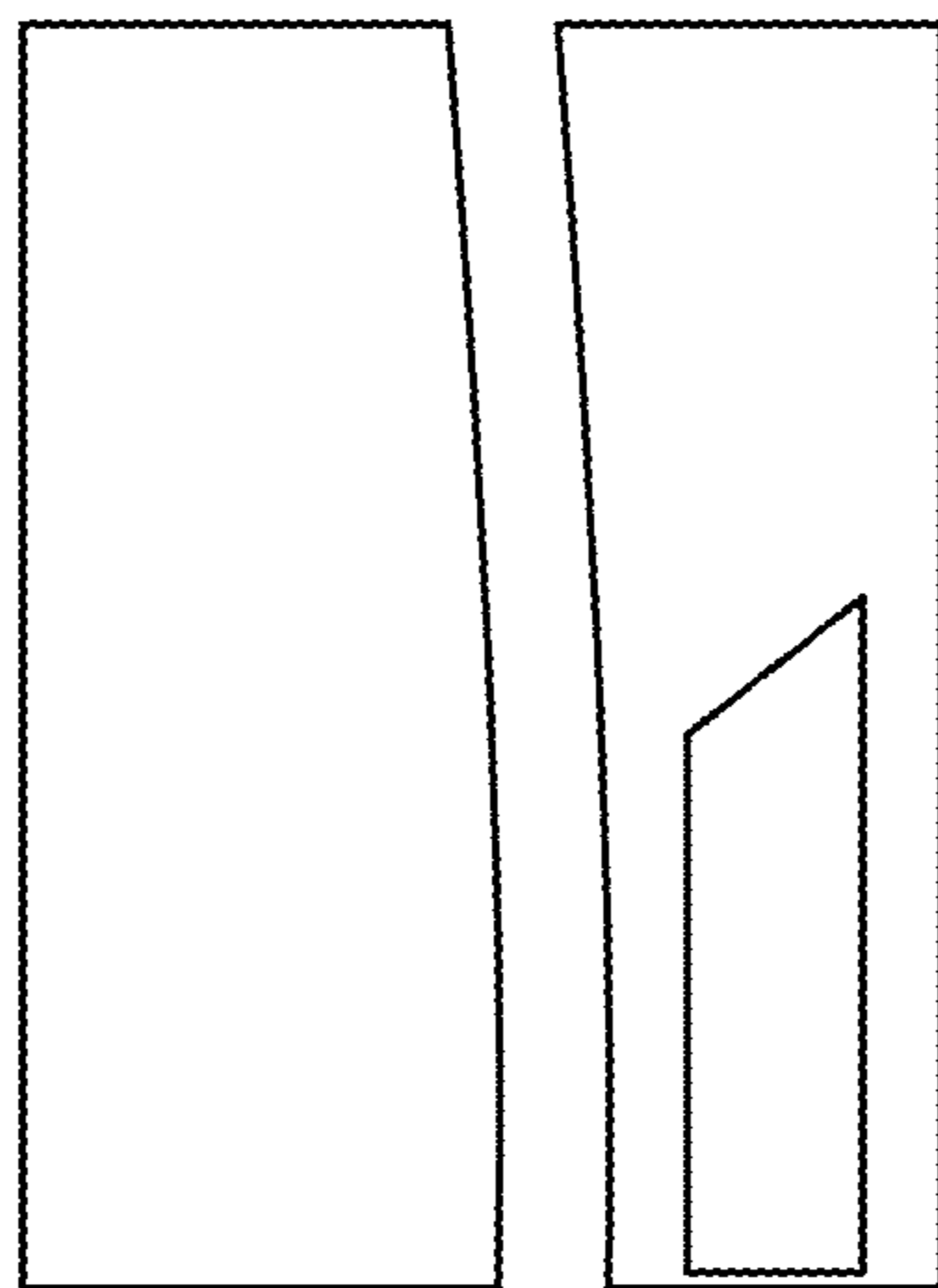


FIG. 8



FIG. 9

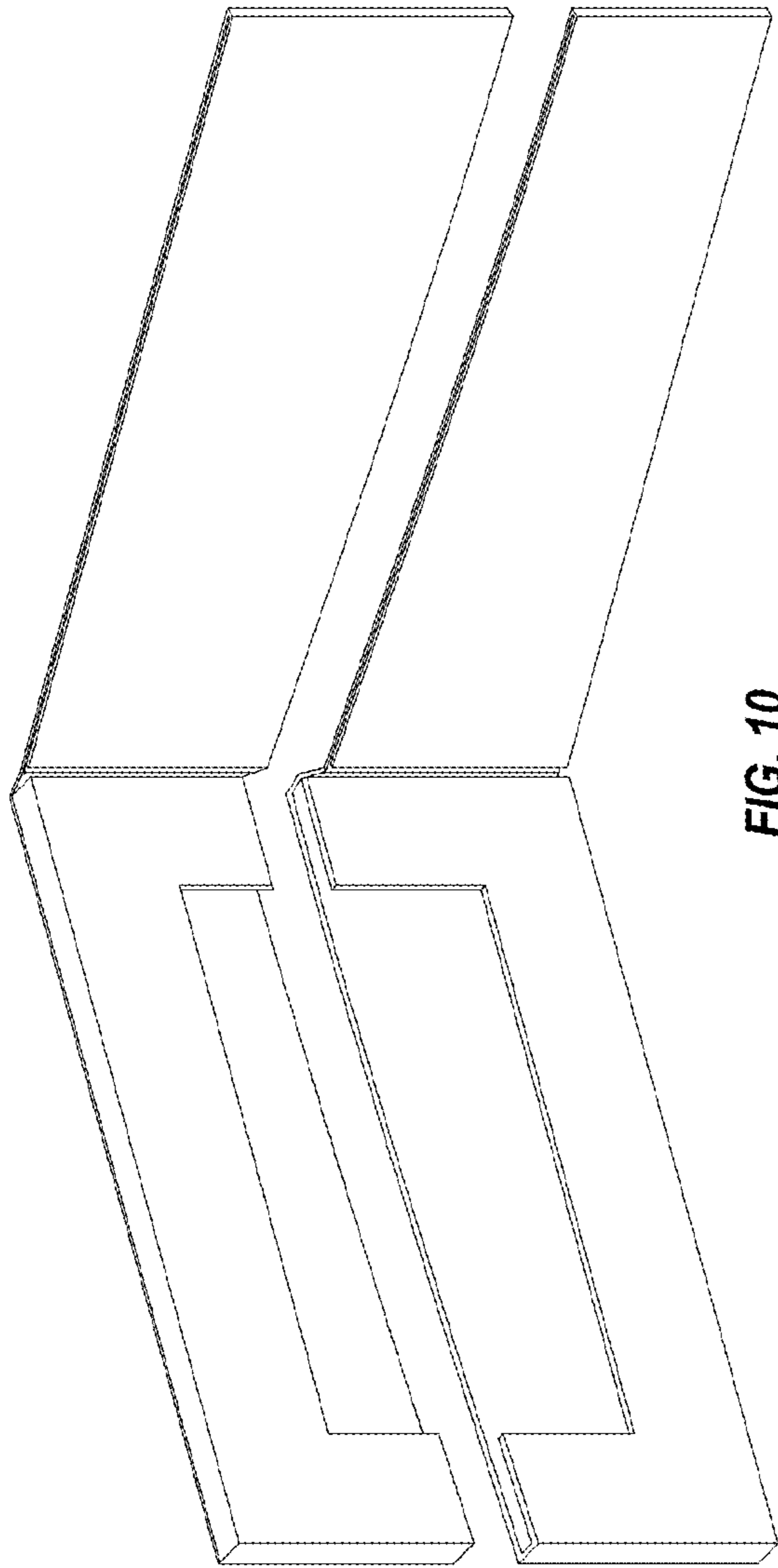


FIG. 10

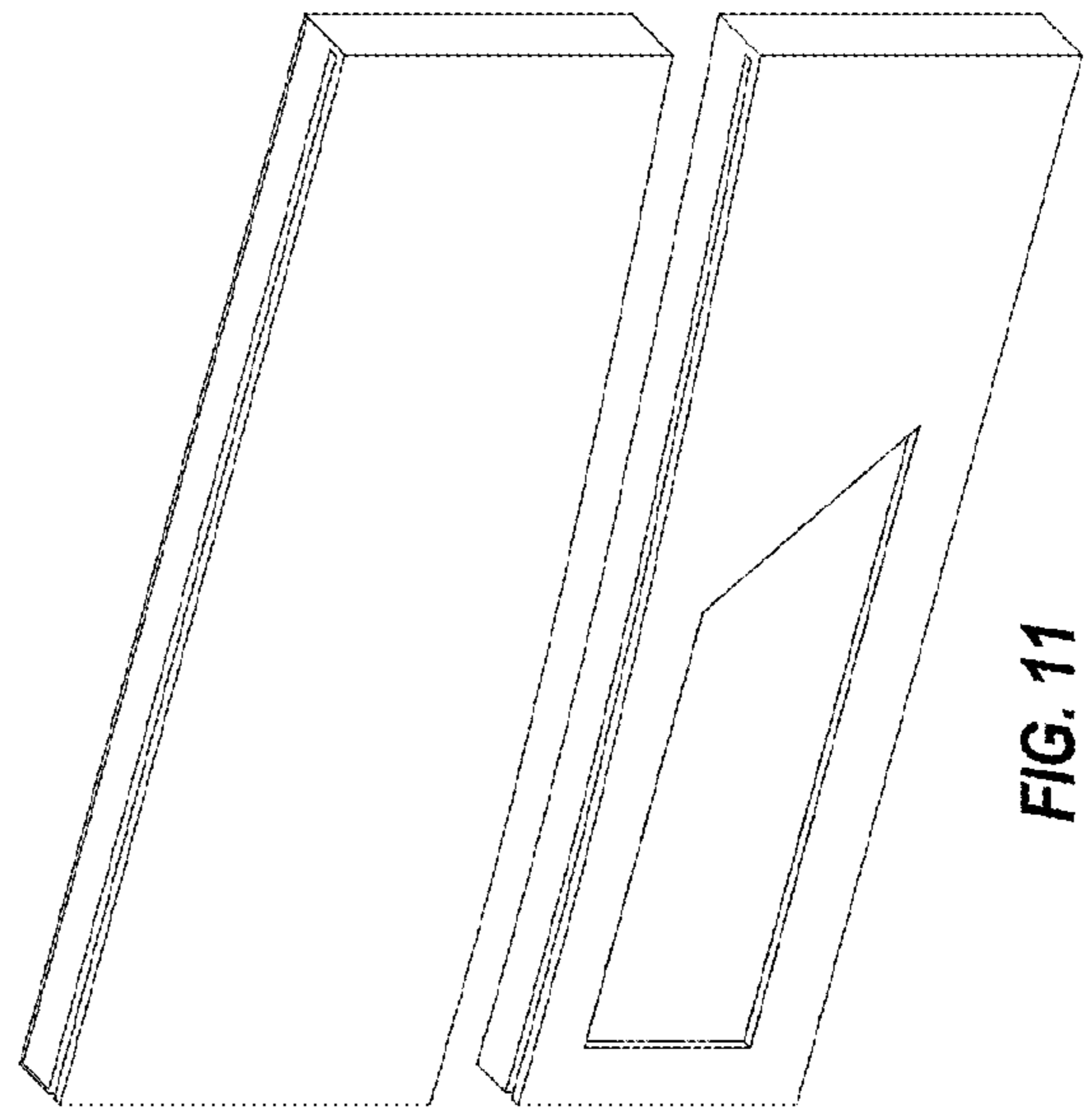


FIG. 11