



US00D973054S

(12) **United States Design Patent**
Yao et al.

(10) **Patent No.:** **US D973,054 S**
(45) **Date of Patent:** **** Dec. 20, 2022**

(54) **MONITOR**

(71) Applicant: **MOBILE PIXELS INC.**, Irwindale,
CA (US)

(72) Inventors: **Xiaoliang Yao**, Burlington, MA (US);
Wenglong Ng, Woburn, MA (US)

(73) Assignee: **MOBILE PIXELS INC.**, Irwindale,
CA (US)

(**) Term: **15 Years**

(21) Appl. No.: **29/769,858**

(22) Filed: **Feb. 8, 2021**

(51) **LOC (13) Cl.** **14-02**

(52) **U.S. Cl.**

USPC **D14/378**

(58) **Field of Classification Search**

USPC ... D14/230–239, 388, 138 G, 371, 307, 314,
D14/334–337, 339, 340, 373–382, 448,
D14/450, 125, 126, 127, 132, 133, 217,
D14/308; D21/324, 329; D24/386;
D13/389; D6/300–301

CPC G06F 1/16; G06F 1/1601; G06F 1/1603;
G06F 1/1605; G06F 1/1607; G06F
1/1611; G06F 1/1616; G06F 1/1618;
G06F 1/1622; G06F 1/1626; G06F 1/164;
G06F 1/1643; G06F 1/1647; G06F
1/1649; G06F 1/1654; G06F 1/1656;
G06F 1/181; G06F 1/1684; G06F 1/1686;
G06F 1/1692; H05K 5/02; H05K 5/03;
H05K 5/0217; H05K 5/0239; H05K
5/0243; H05K 5/0286; H04N 5/64

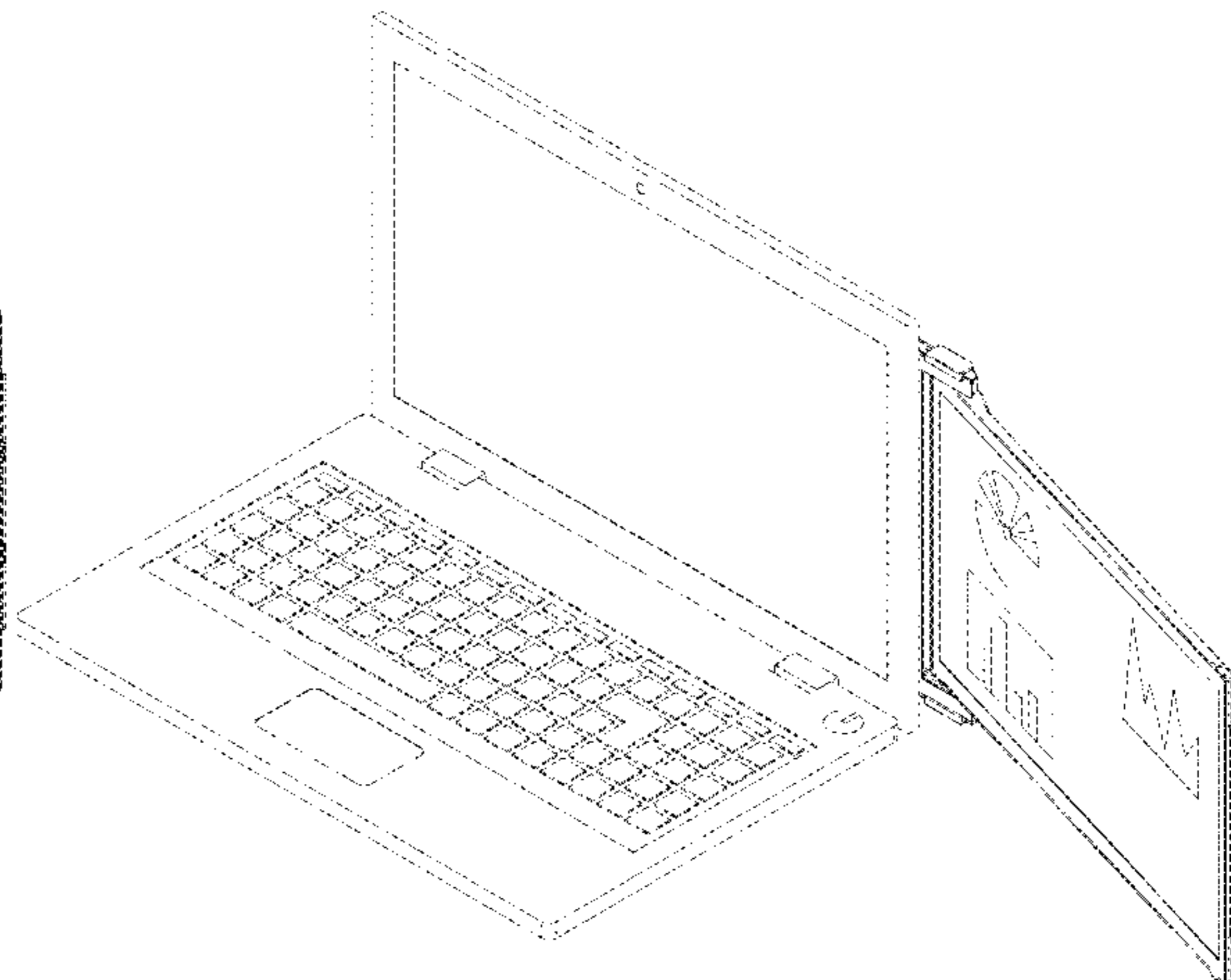
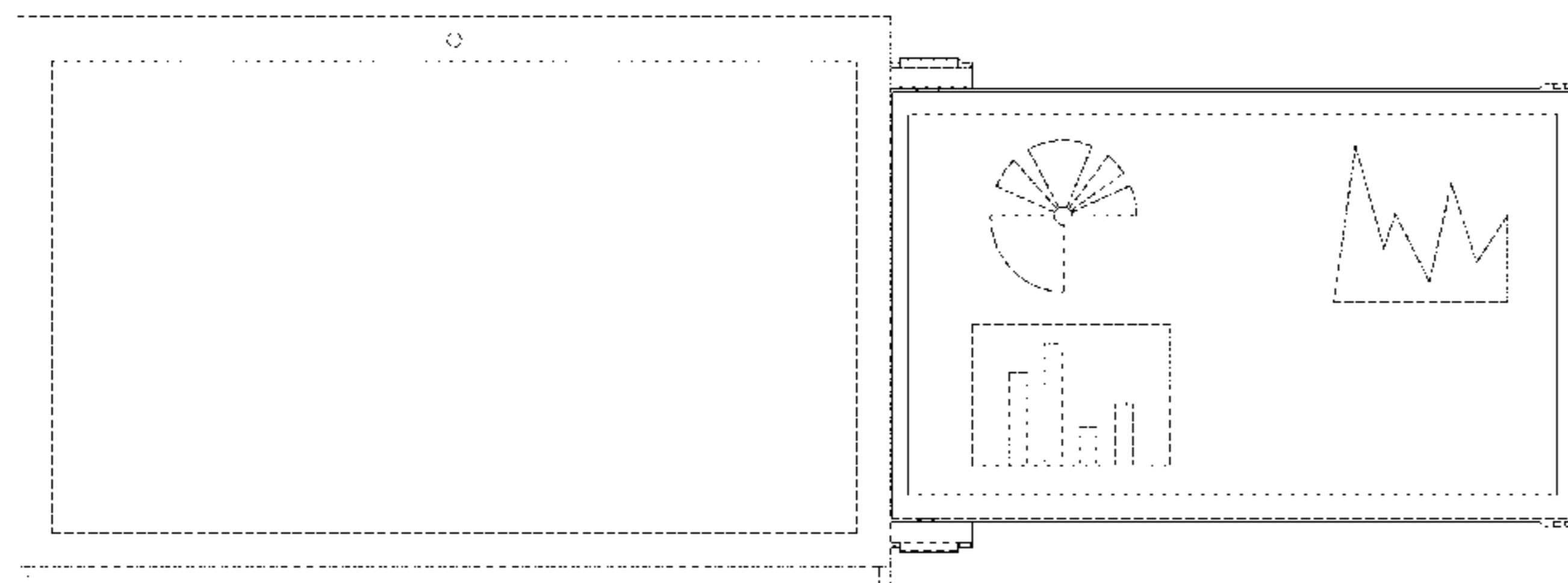
See application file for complete search history.

(56) **References Cited**

U.S. PATENT DOCUMENTS

D247,194 S 2/1978 Win
4,569,613 A 2/1986 Thomas
D290,404 S 6/1987 Staler
4,867,479 A 9/1989 Mizutani

D338,194 S * 8/1993 Hartwig D14/450
5,471,808 A 12/1995 De Pieri et al.
D374,650 S 10/1996 Shermeto
5,590,021 A 12/1996 Register
5,614,838 A 3/1997 Jaber et al.
D398,915 S * 9/1998 Shaffer D14/450
D456,796 S 5/2002 Silver
6,532,146 B1 * 3/2003 Duquette G06F 1/1607
361/679.04
6,667,877 B2 12/2003 Duquette
D497,599 S * 10/2004 Kita D14/126
6,816,152 B2 * 11/2004 Yanagisawa G06F 1/1628
345/173
6,967,632 B1 11/2005 Minami et al.
D534,588 S 1/2007 Nuttall
7,283,353 B1 10/2007 Jordan et al.
D586,306 S * 2/2009 Isshiki D14/126
D589,511 S * 3/2009 Han D14/373
D589,958 S * 4/2009 Han D14/373
7,660,914 B2 2/2010 Perez et al.
D615,082 S * 5/2010 Taichi D14/316
7,848,091 B2 12/2010 Han et al.
D630,204 S * 1/2011 Kovac D14/327
D630,628 S 1/2011 Kovac
D634,745 S 3/2011 Park et al.
D638,014 S * 5/2011 Chong D14/383
7,986,517 B2 7/2011 Jiang et al.
7,990,338 B2 8/2011 Teng et al.
8,018,715 B2 9/2011 Chang
D652,832 S 1/2012 Wu et al.
D664,957 S * 8/2012 Kim D14/374
D665,123 S 8/2012 Douglas
8,314,751 B2 11/2012 Yang
D674,220 S 1/2013 Kim
D689,491 S * 9/2013 Halsinger D14/389
8,529,111 B2 9/2013 Chang
D715,301 S 10/2014 Ashcraft et al.
D717,805 S * 11/2014 Sang D14/448
D727,895 S 4/2015 Aoki et al.
D750,604 S * 3/2016 Kim D14/239
D761,800 S 7/2016 Muller
D778,863 S * 2/2017 Lee D14/138 G
D779,713 S 2/2017 Sonneman
D791,400 S 7/2017 Sonneman
D808,950 S * 1/2018 Miele D14/371
D856,322 S * 8/2019 Huebner D14/341
10,550,995 B1 2/2020 Hung et al.
D879,776 S * 3/2020 Nagamune D14/371
D883,990 S 5/2020 Yao et al.
10,871,801 B2 * 12/2020 Yao G06F 3/1423
D919,307 S * 5/2021 Ross, III D14/230
D920,975 S * 6/2021 Yao D14/375
11,042,191 B2 * 6/2021 Kaya G06F 1/1654



D929,992	S	*	9/2021	McKenna	D14/374
D935,455	S	*	11/2021	Schlereth	D14/371
D956,752	S	*	7/2022	Wang	D14/373
D960,887	S	*	8/2022	Levine	G06F 1/1637
						D14/371
D962,223	S	*	8/2022	Leung	D14/316
D962,921	S	*	9/2022	Leung	D14/315
2005/0162821	A1		7/2005	Homer et al.		
2005/0243021	A1		11/2005	Perez et al.		
2007/0080950	A1		4/2007	Lee et al.		
2008/0252555	A1		10/2008	Jeon		
2011/0216483	A1		9/2011	Vesely		
2012/0127646	A1		5/2012	Moscovitch		
2013/0277271	A1		10/2013	Toulotte		
2016/0154434	A1*		6/2016	Lakhani	G06F 1/1632
						29/592.1
2019/0332146	A1*		10/2019	Yao	G06F 1/1656
2021/0333839	A1*		10/2021	Yao	G06F 1/1681

FOREIGN PATENT DOCUMENTS

EM	008191274-0003	*	3/2021
EM	008628036-0001	*	8/2021
KR	300729818.0000	*	2/2014

OTHER PUBLICATIONS

Sidetrak, "Swivel 14" Attachable Portable Monitor . . .", available at amazon.com, date first available Feb. 5, 2021, site visited Sep. 27, 2022, Available at URL: <https://a.co/d/9yLrEmm> (Year: 2021).*

Duex Store, "Portable Monitor for Laptops . . .", available at amazon.com, date first available Apr. 15, 2021, site visited Sep. 27, 2022, Available at URL: <https://a.co/d/3OLTMmd> (Year: 2021).*

Ofiyaa, "Portable Monitor for Laptop Screen Extender . . .", available at amazon.com, date first available Jul. 15, 2021, site visited Sep. 27, 2022, Available at URL: <https://a.co/d/91EtOFX> (Year: 2021).*

HowMuchTech, "5 Best Portable Monitor in 2022," available at youtube.com, date published Jun. 3, 2021, site visited Sep. 27, 2022, Available at URL: <https://www.youtube.com/watch?v=TN1v6xYofss> (Year: 2021).*

Mobile Pixels DUO Dual Screen Laptop Accessory I posted at youtube.com May 30, 2018 [online]. [retrieved Apr. 6, 2020] from Internet: <<https://www.youtube.com/watch?v=fXheJTicQjU>> (Year: 2018).

"Mobile Pixels: The Mobile Laptop Monitor," Mobile Pixels Video [online], Jan. 12, 2017; retrieved from the Internet: <URL: https://www.facebook.com/pg/MobilePixelsUSA/posts/?ref=page_internal>; entire video.

Robyn, "Ten 1 Design Mountie+ Review", Mac Sources; Article [online]; Feb. 7, 2018, Retrieved from the internet<URL: <https://macsources.com/ten-1-design-mountie-review/>>; p. 1, paragraph 1; figure 5.

"Slidenjoy: Prototype Preview;" Sliden Joy; Video [online], Dec. 5, 2016, Retrieved from the internet: <URL: <https://www.youtube.com/watch?v=hkbo5OeX94w&list=UUEwspWGCBCpYywfMFCg-GUuVA&index=4>>; entire video.

* cited by examiner

Primary Examiner — Daniel J Domino
 Assistant Examiner — Samina Vieth
 (74) Attorney, Agent, or Firm — Lando & Anastasi, LLP

(57) CLAIM

The ornamental design for a monitor, as shown and described.

DESCRIPTION

FIG. 1 is a front view of a monitor shown in an open pivoted configuration according to a first embodiment;

FIG. 2 is a bottom view thereof;
 FIG. 3 is a top view thereof;
 FIG. 4 is a front perspective view thereof;
 FIG. 5 is a left side view thereof;
 FIG. 6 is a back perspective view thereof;
 FIG. 7 is a back view thereof;
 FIG. 8 is a right side view thereof;
 FIG. 9 is a front view of the monitor shown in an open configuration according to the embodiment of FIG. 1;
 FIG. 10 is a bottom view thereof;
 FIG. 11 is a top view thereof;
 FIG. 12 is a front perspective view thereof;
 FIG. 13 is a left side view thereof;
 FIG. 14 is a back perspective view thereof;
 FIG. 15 is a back view thereof;
 FIG. 16 is a right side view thereof;
 FIG. 17 is a front view of the monitor shown in a slightly offset configuration for presentation according to the embodiment of FIG. 1;
 FIG. 18 is a bottom view thereof;
 FIG. 19 is a top view thereof;
 FIG. 20 is a front perspective view thereof;
 FIG. 21 is a left side view thereof;
 FIG. 22 is a back perspective view thereof;
 FIG. 23 is a back view thereof;
 FIG. 24 is a right side view thereof;
 FIG. 25 is a front view of the monitor shown in a closed configuration according to the embodiment of FIG. 1;
 FIG. 26 is a bottom view thereof;
 FIG. 27 is a top view thereof;
 FIG. 28 is a front perspective view thereof;
 FIG. 29 is a left side view thereof;
 FIG. 30 is a back perspective view thereof;
 FIG. 31 is a back view thereof;
 FIG. 32 is a right side view thereof;
 FIG. 33 is a front view of a monitor shown in an open pivoted configuration according to a second embodiment;
 FIG. 34 is a bottom view thereof;
 FIG. 35 is a top view thereof;
 FIG. 36 is a front perspective view thereof;
 FIG. 37 is a left side view thereof;
 FIG. 38 is a back perspective view thereof;
 FIG. 39 is a back view thereof;
 FIG. 40 is a right side view thereof;
 FIG. 41 is a front view of the monitor shown in an open configuration according to the embodiment of FIG. 33;
 FIG. 42 is a bottom view thereof;
 FIG. 43 is a top view thereof;
 FIG. 44 is a front perspective view thereof;
 FIG. 45 is a left side view thereof;
 FIG. 46 is a back perspective view thereof;
 FIG. 47 is a back view thereof;
 FIG. 48 is a right side view thereof;
 FIG. 49 is a front view of the monitor shown in a slightly offset configuration for presentation according to the embodiment of FIG. 33;
 FIG. 50 is a bottom view thereof;
 FIG. 51 is a top view thereof;
 FIG. 52 is a front perspective view thereof;
 FIG. 53 is a left side view thereof;
 FIG. 54 is a back perspective view thereof;
 FIG. 55 is a back view thereof;
 FIG. 56 is a right side view thereof;
 FIG. 57 is a front view of the monitor shown in a closed configuration according to the embodiment of FIG. 33;

FIG. **58** is a bottom view thereof;
FIG. **59** is a top view thereof;
FIG. **60** is a front perspective view thereof;
FIG. **61** is a left side view thereof;
FIG. **62** is a back perspective view thereof;
FIG. **63** is a back view thereof; and,
FIG. **64** is a right side view thereof.
The broken lines show portions of the monitor that form no part of the claimed design.

1 Claim, 64 Drawing Sheets

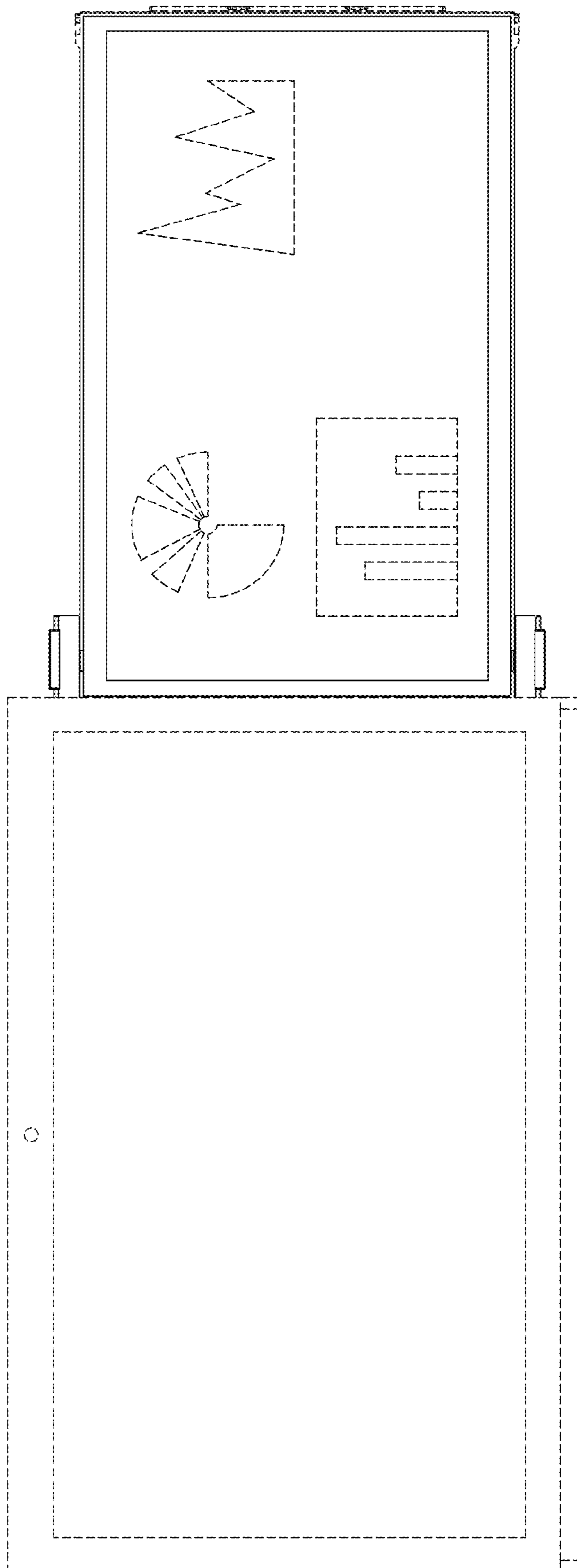


FIG. 1

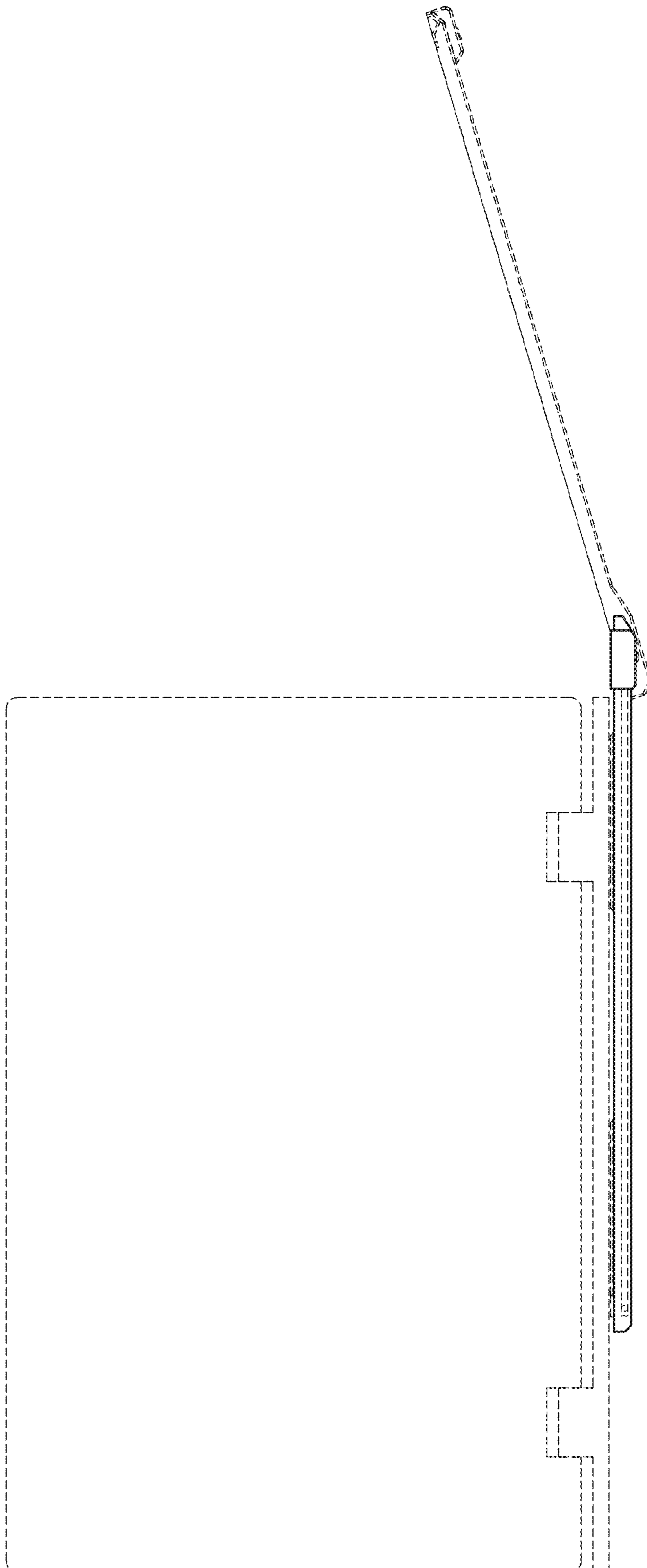


FIG. 2

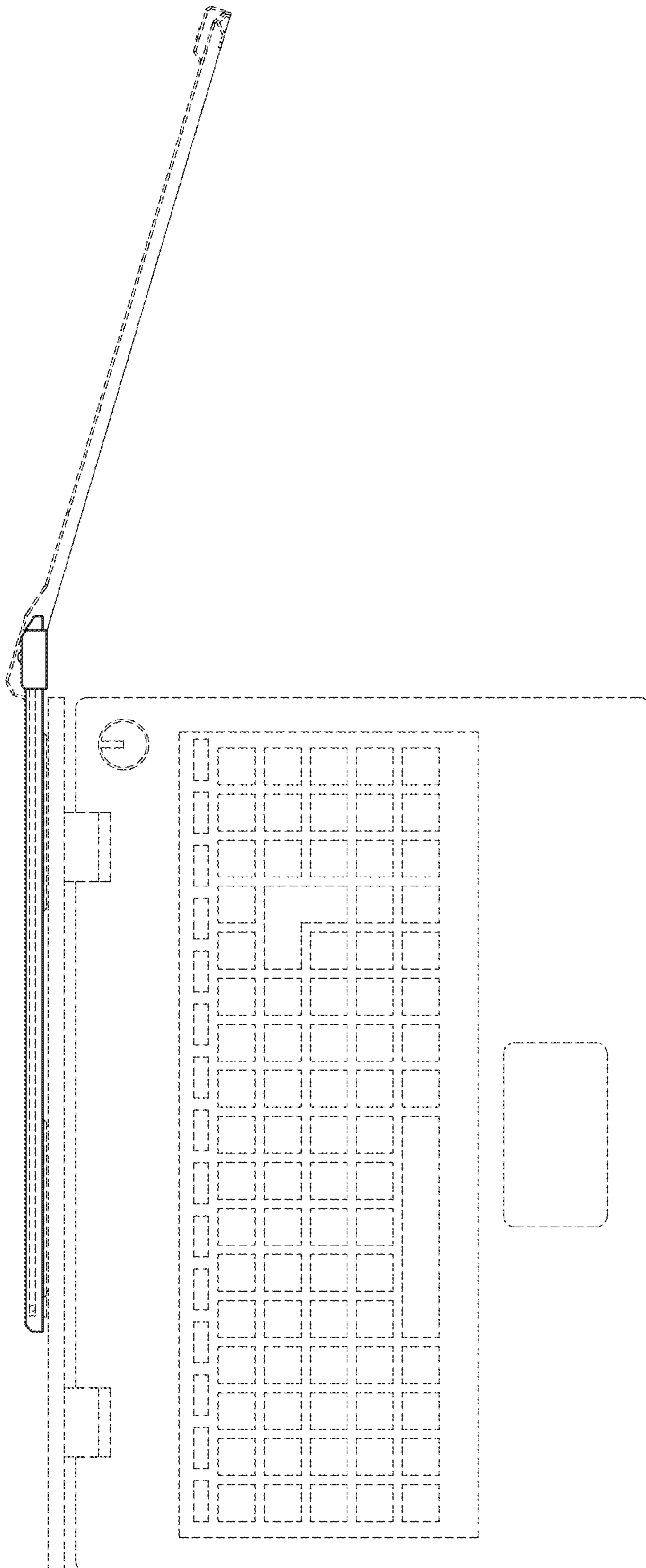


FIG. 3

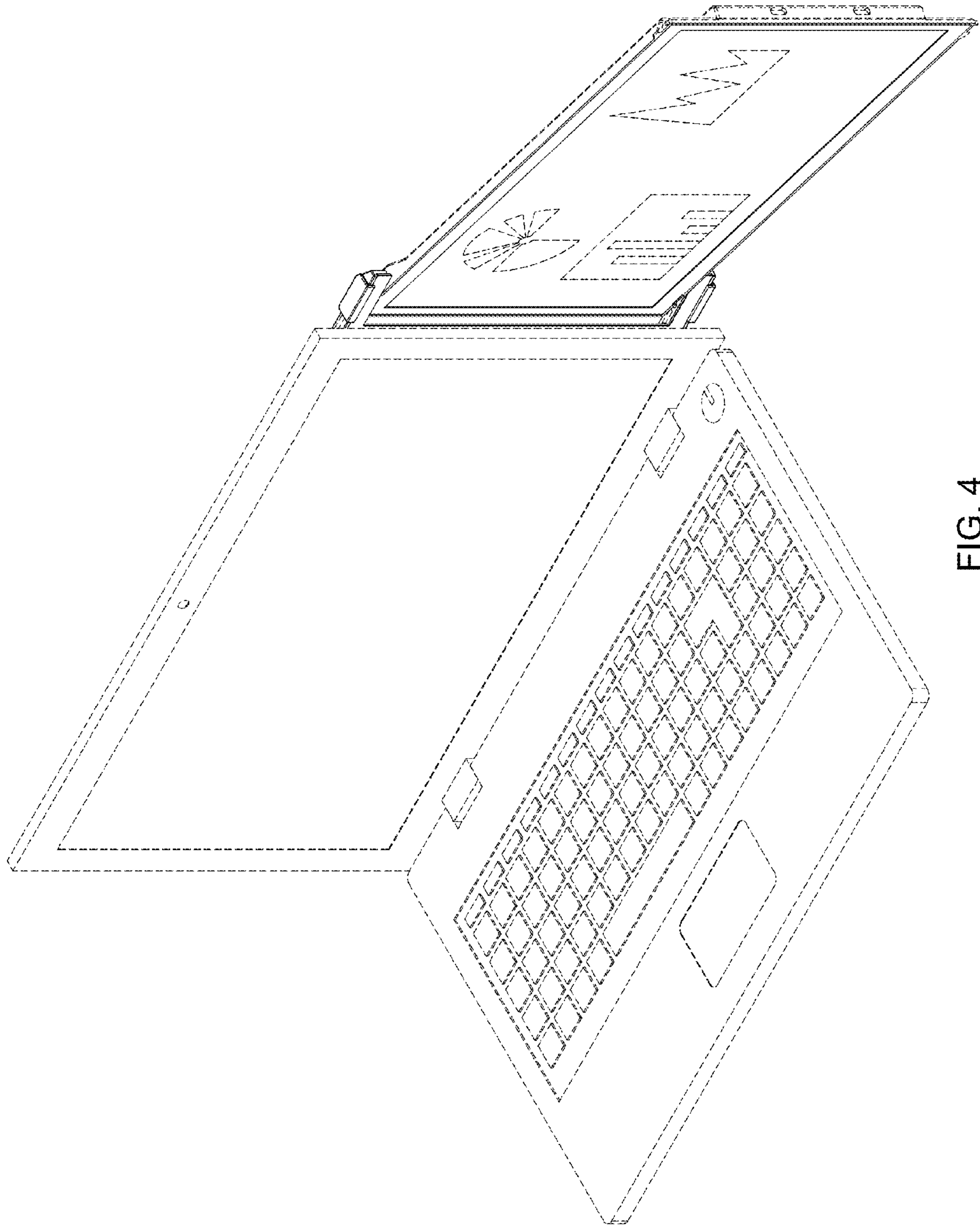


FIG. 4

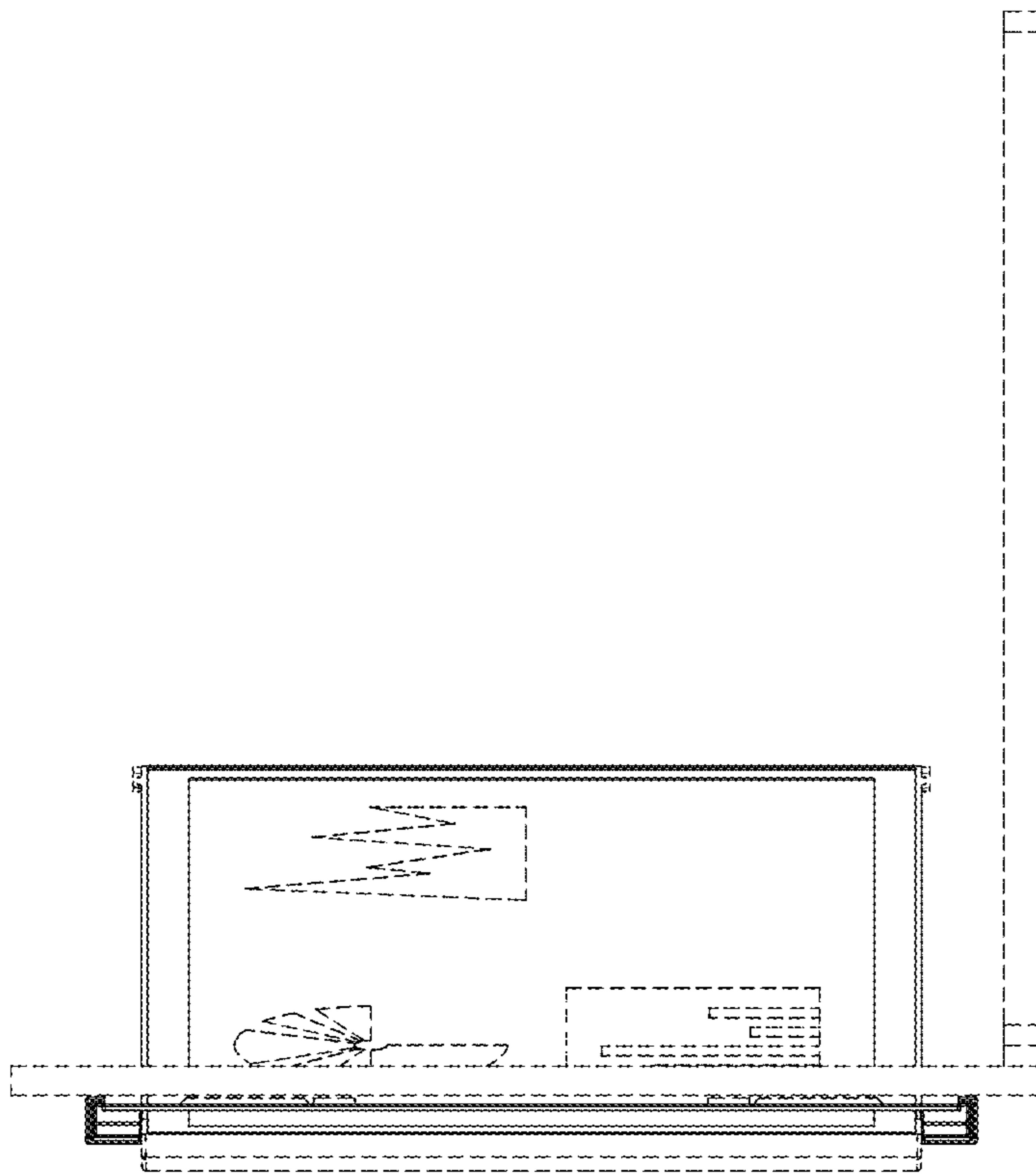


FIG. 5

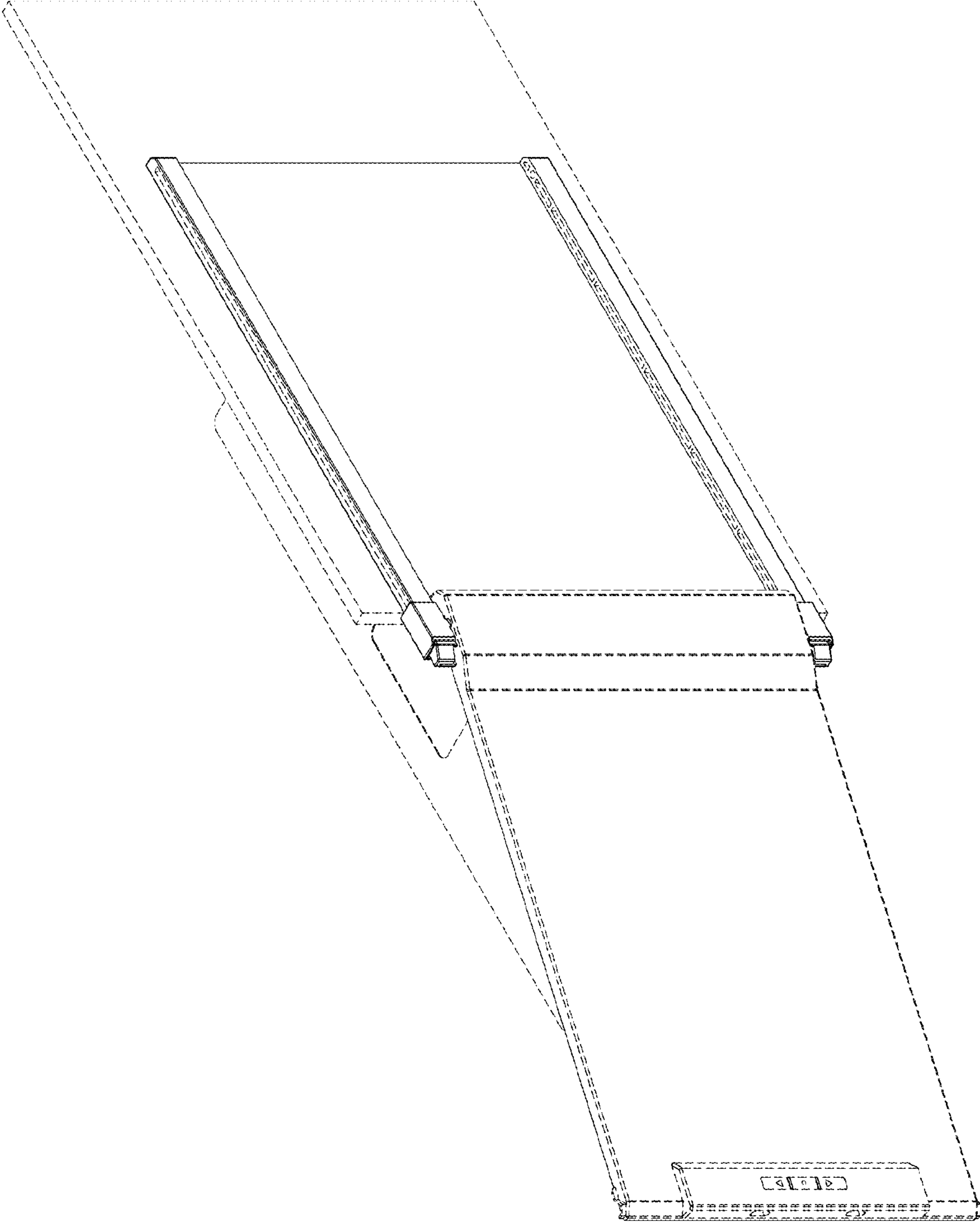


FIG. 6

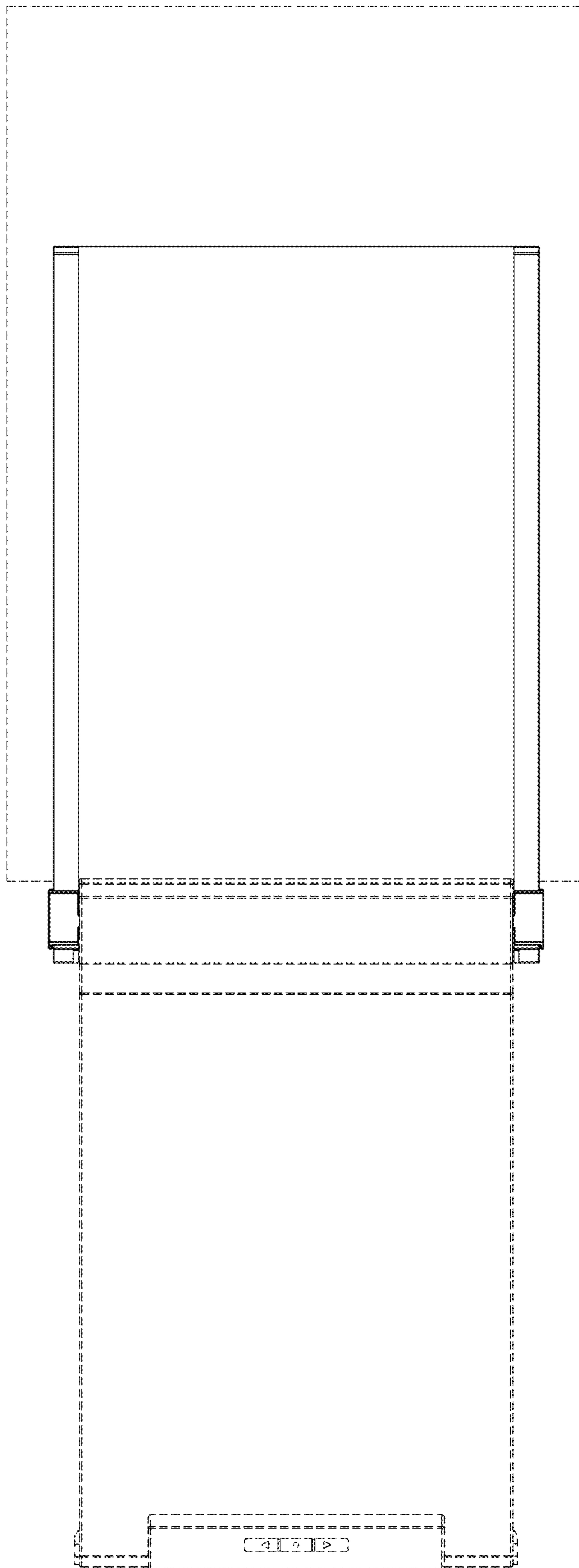


FIG. 7

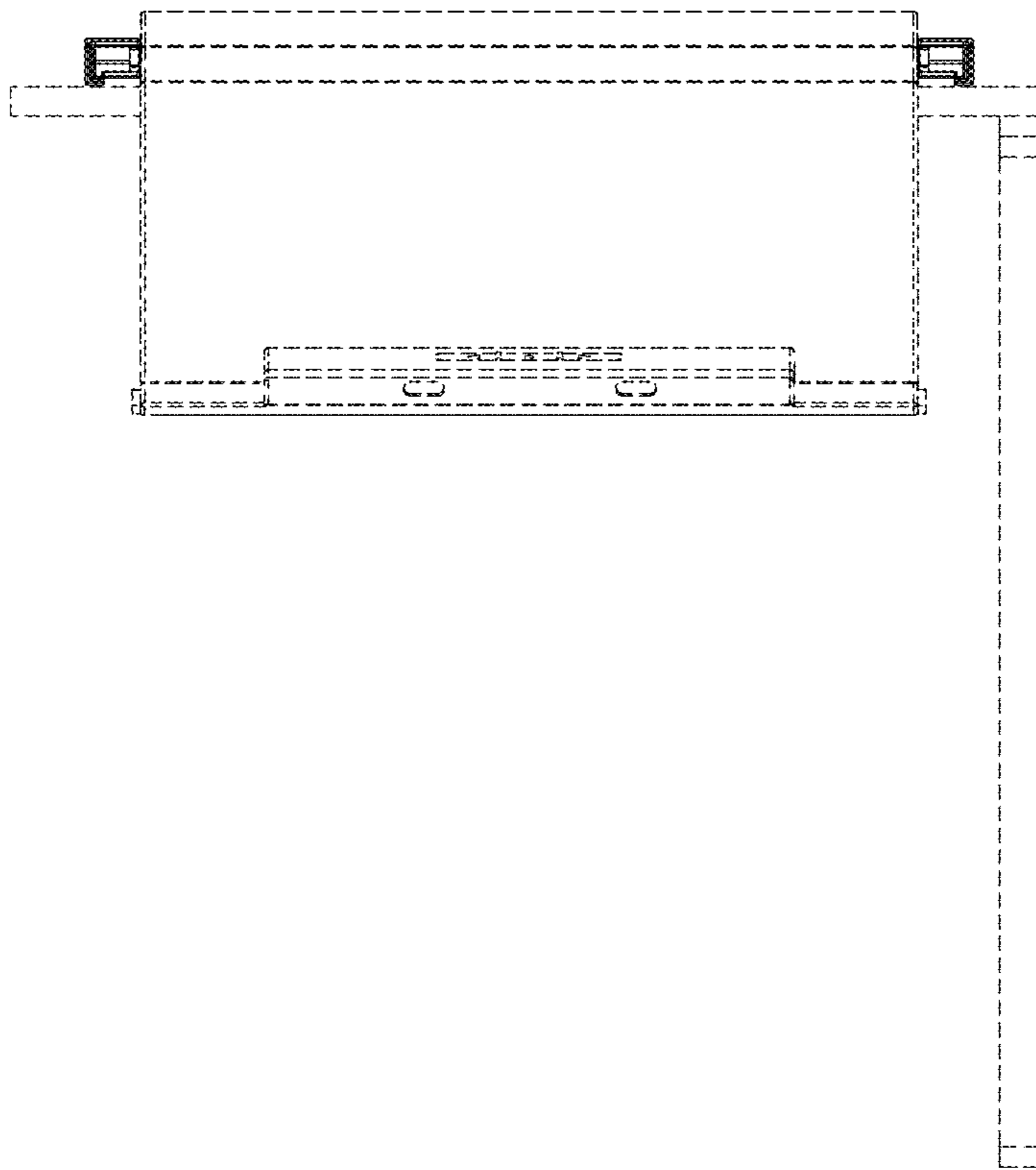


FIG. 8

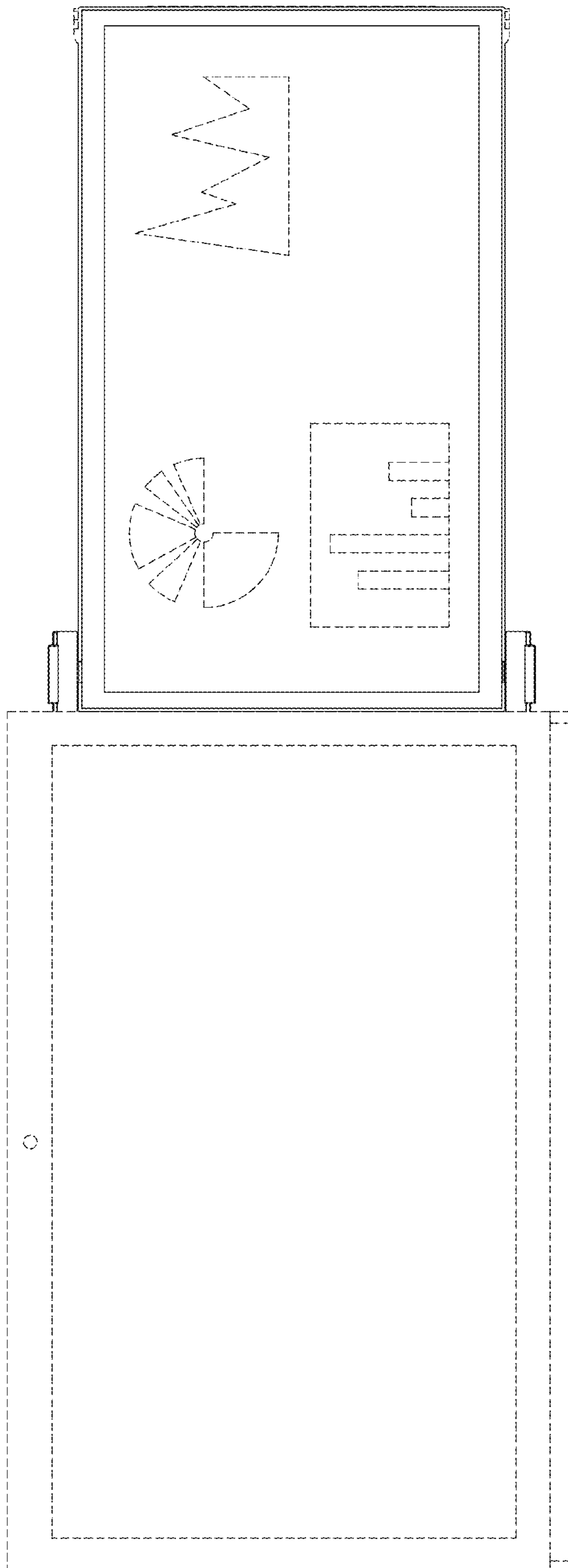


FIG. 9

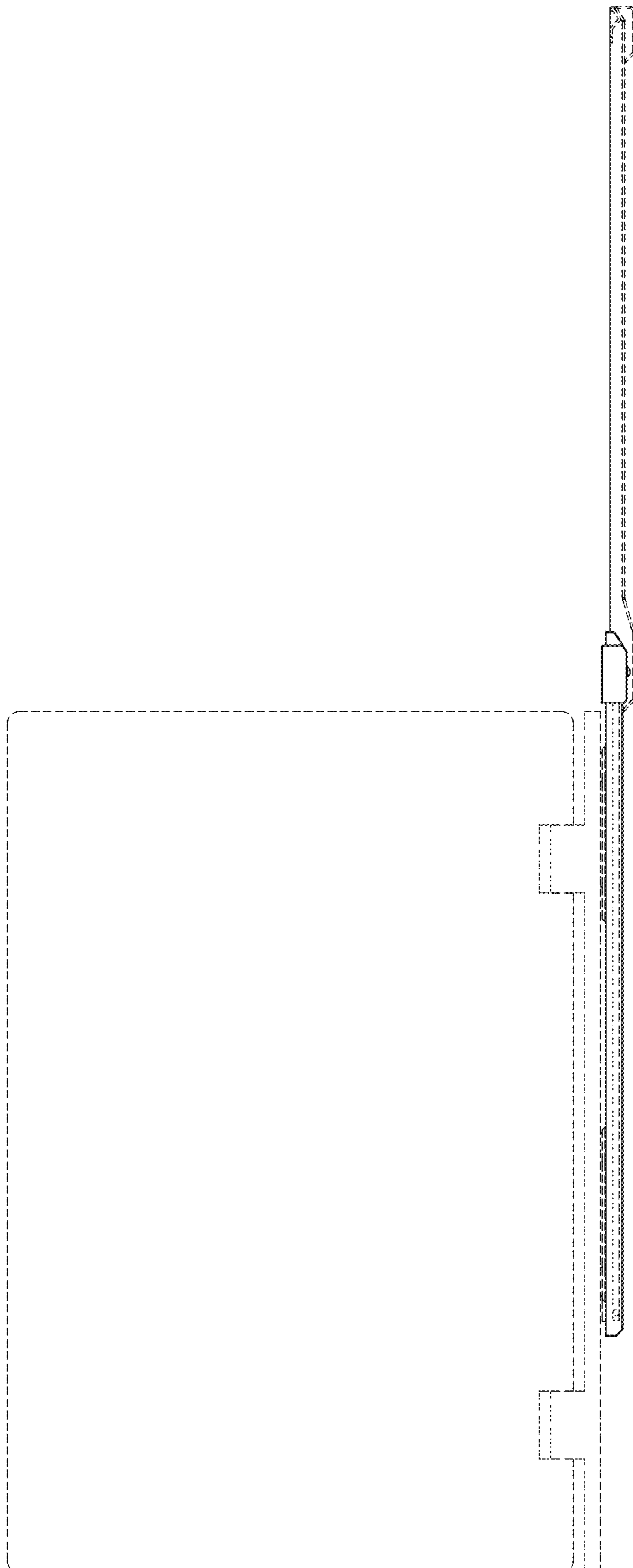


FIG. 10

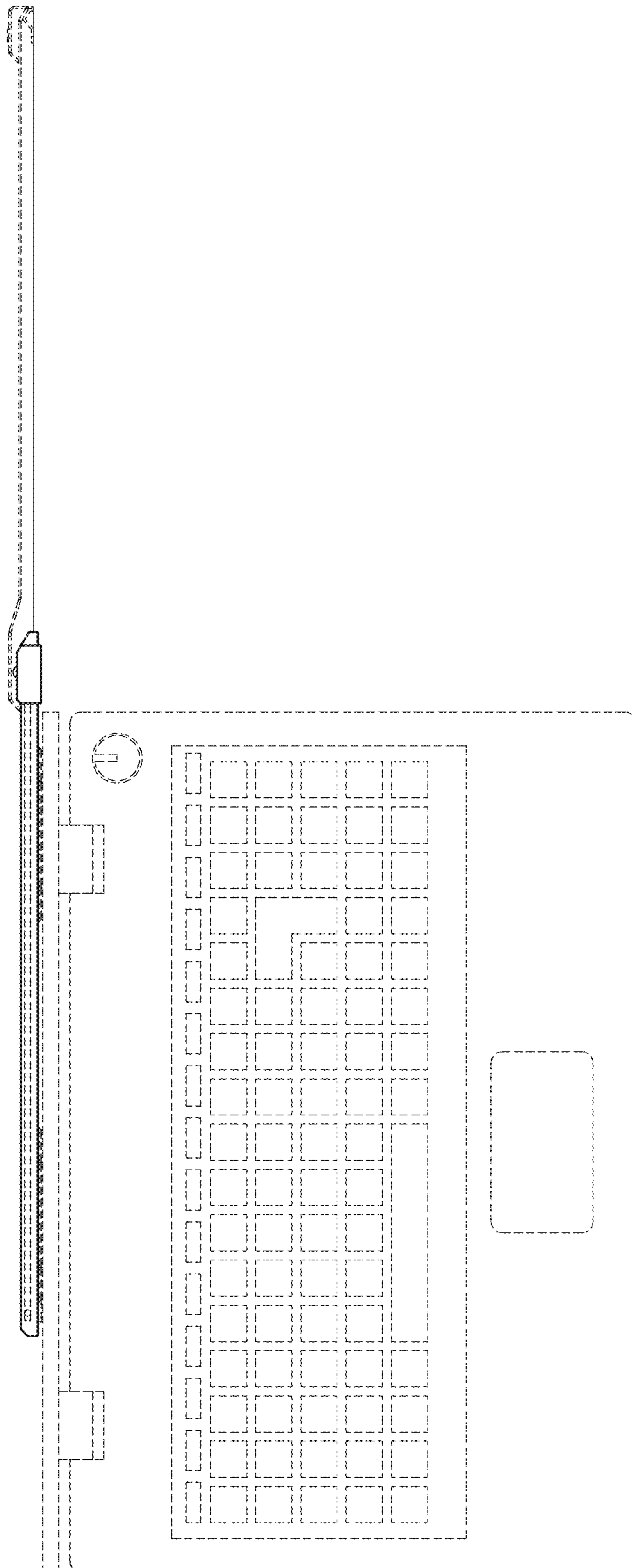


FIG. 11

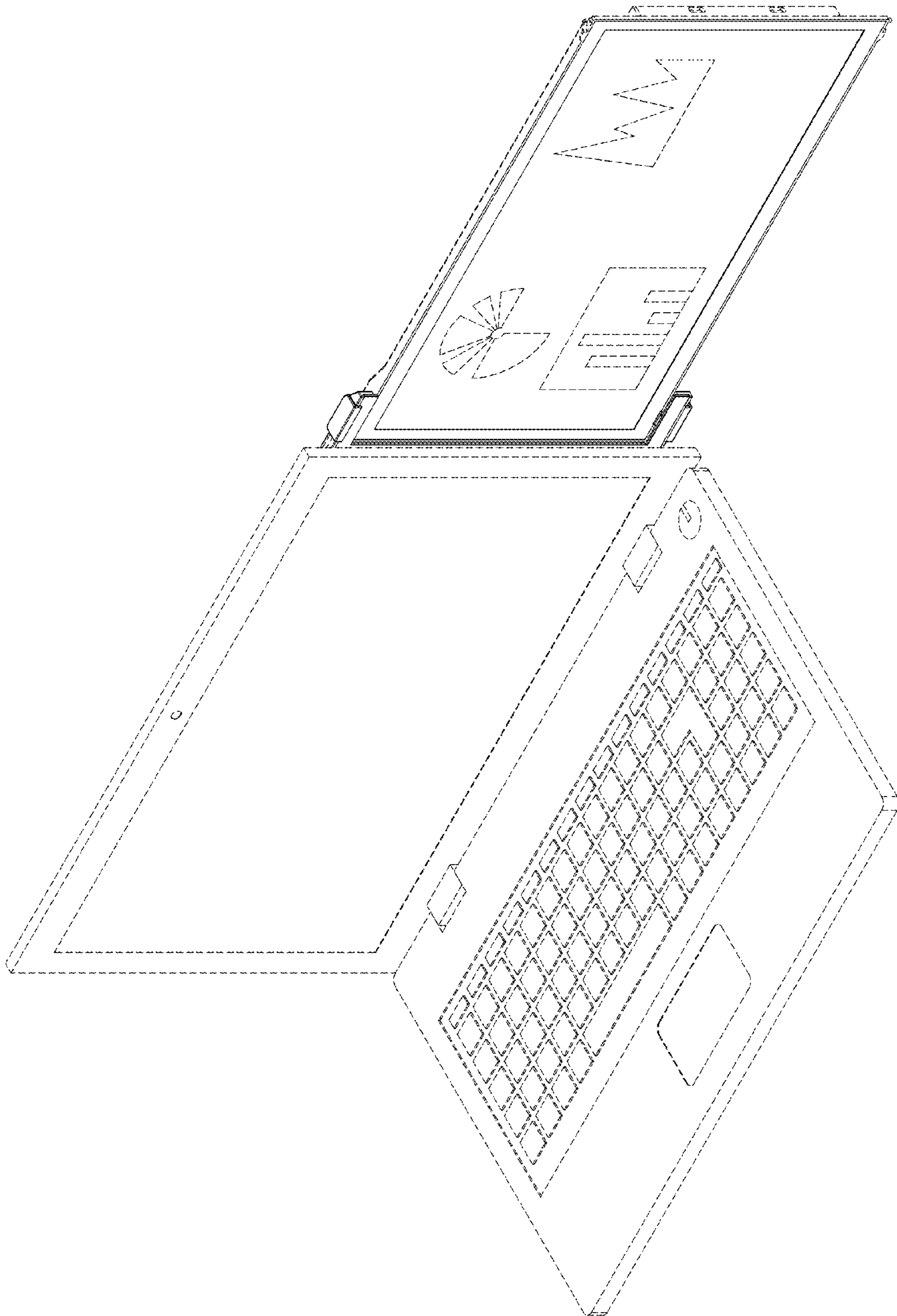


FIG. 12

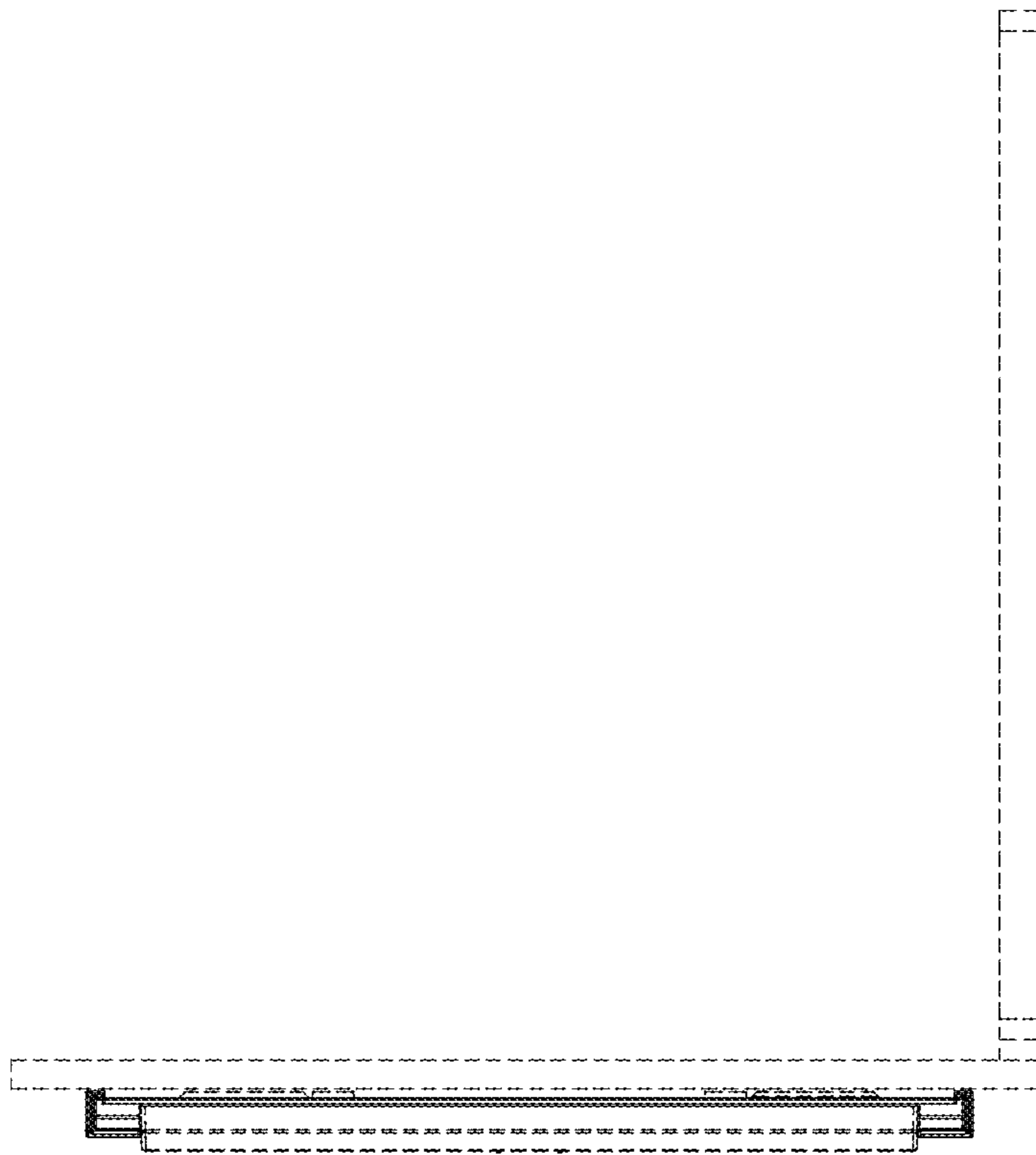


FIG. 13

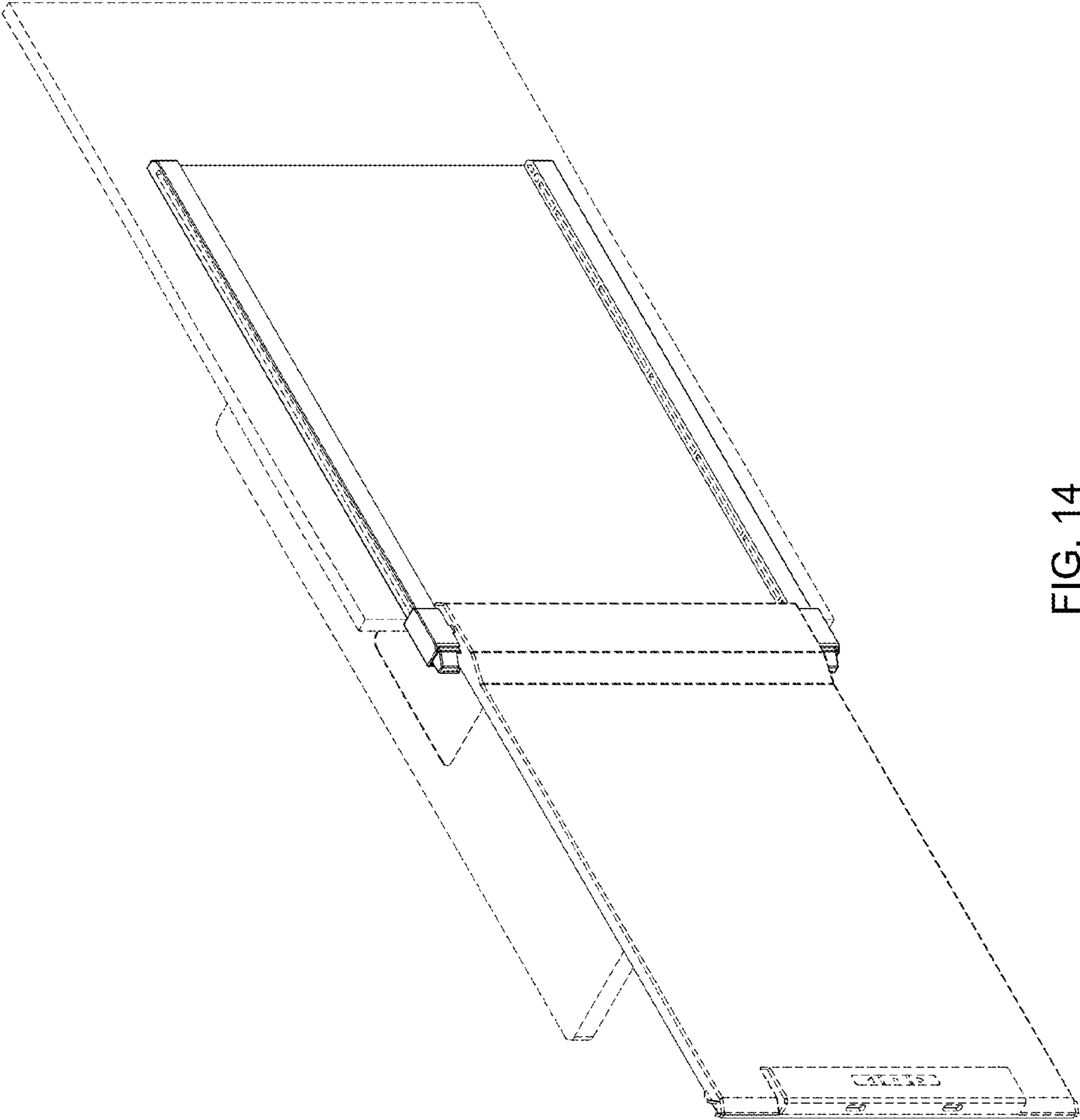


FIG. 14

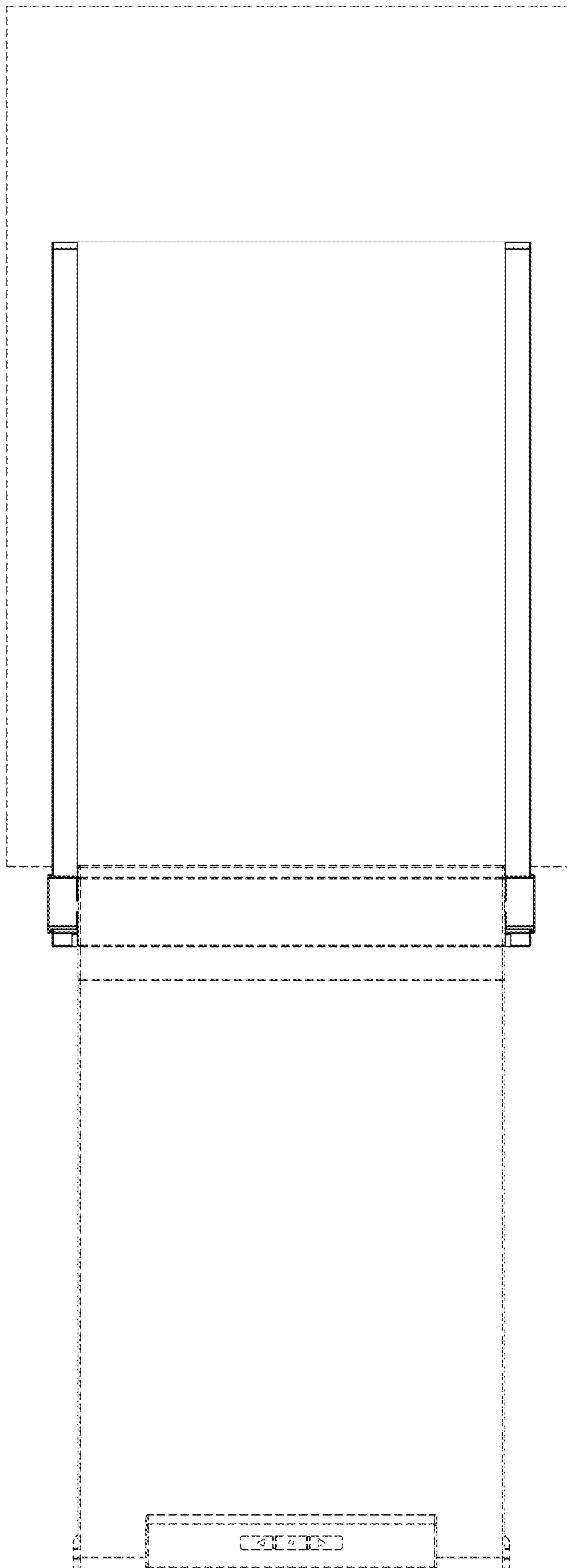


FIG. 15

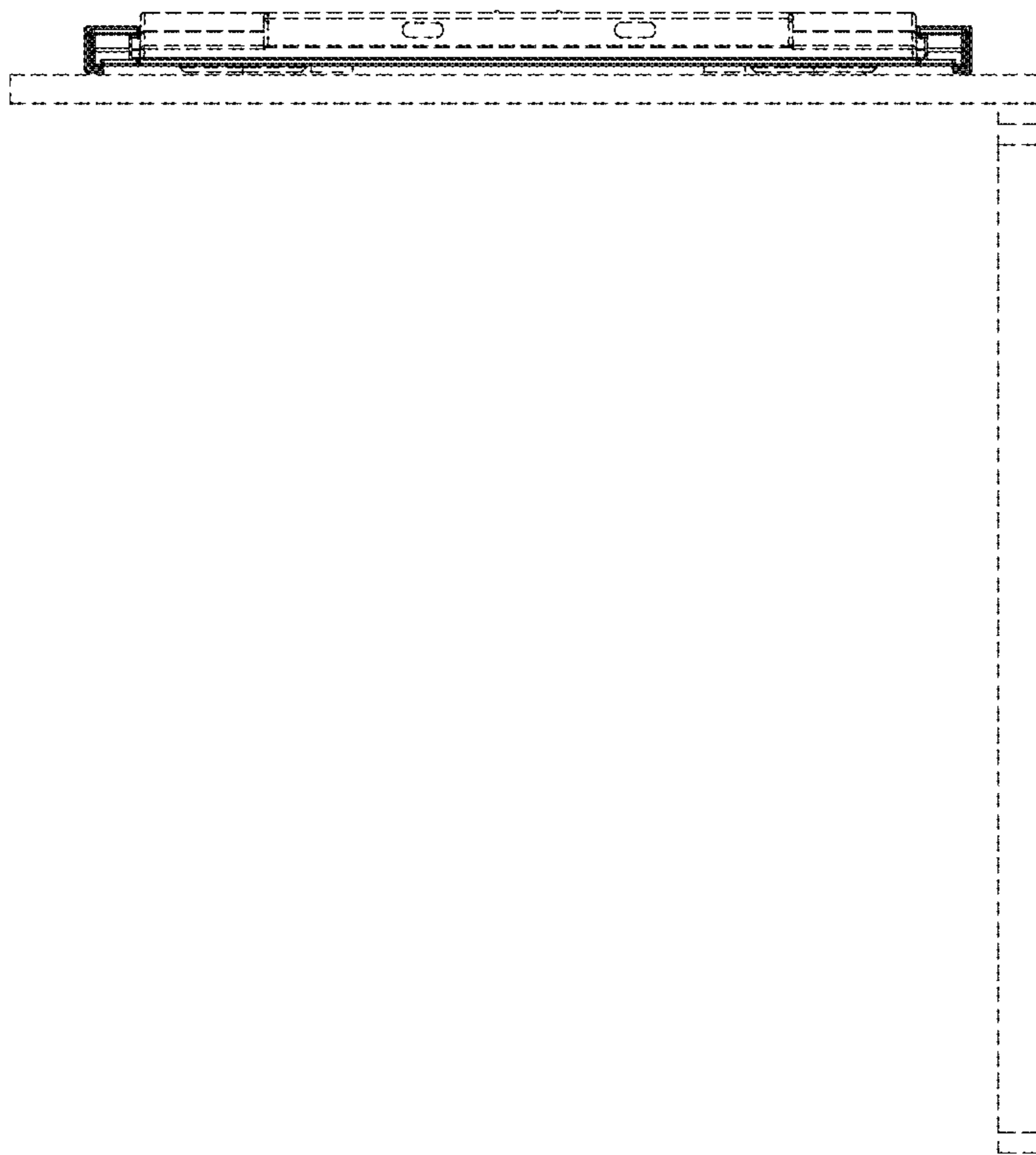


FIG. 16

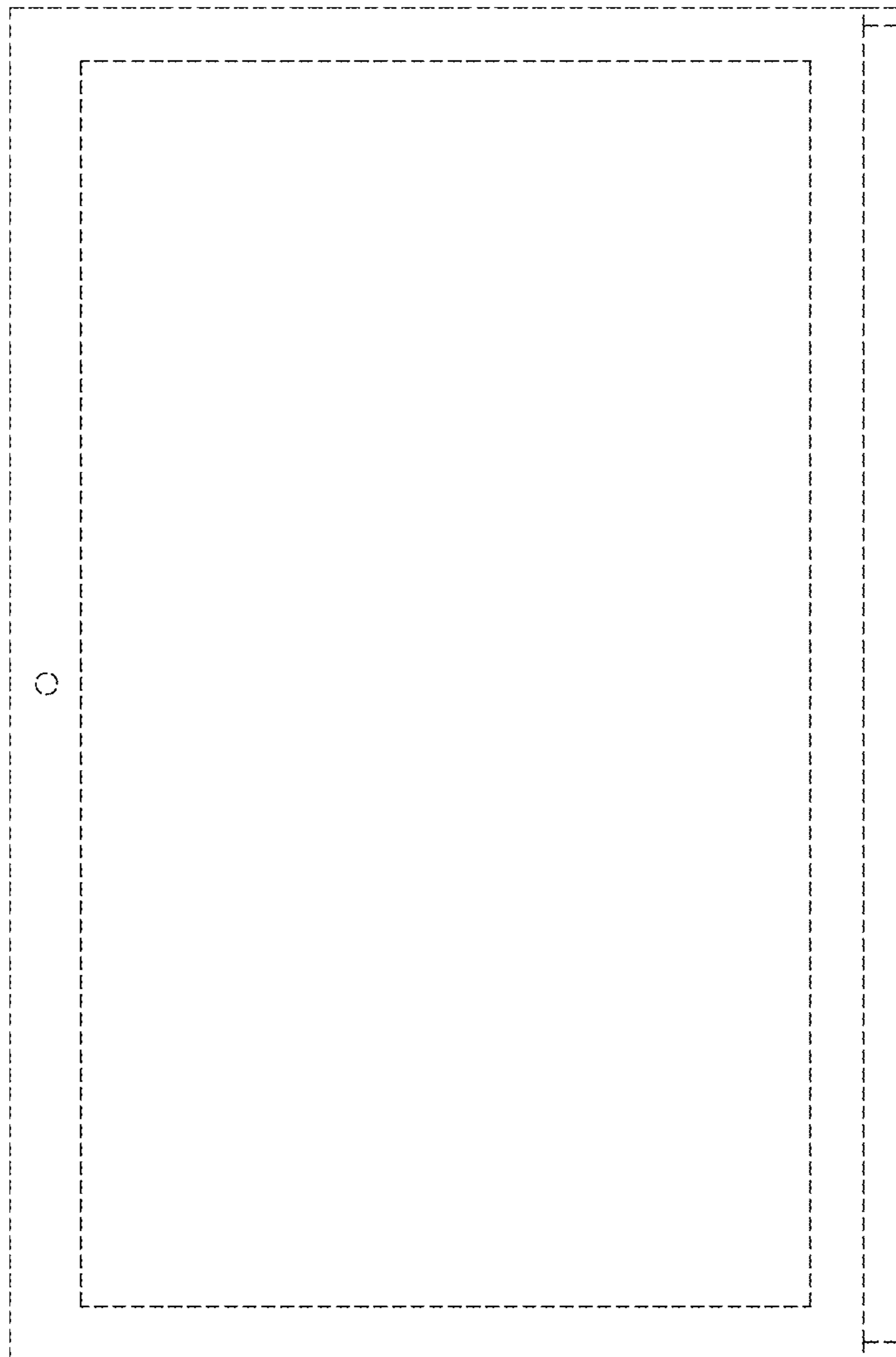


FIG. 17

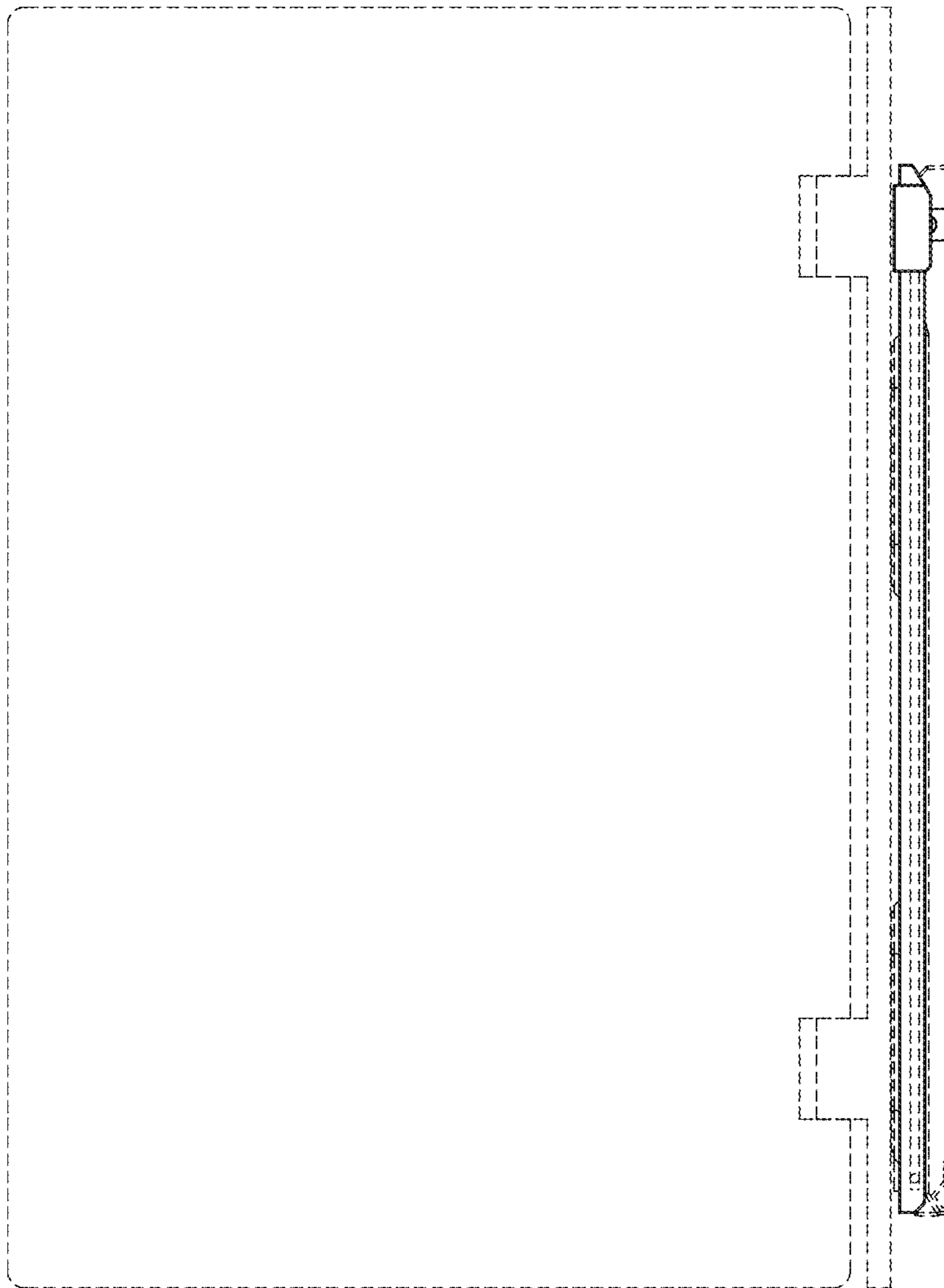


FIG. 18

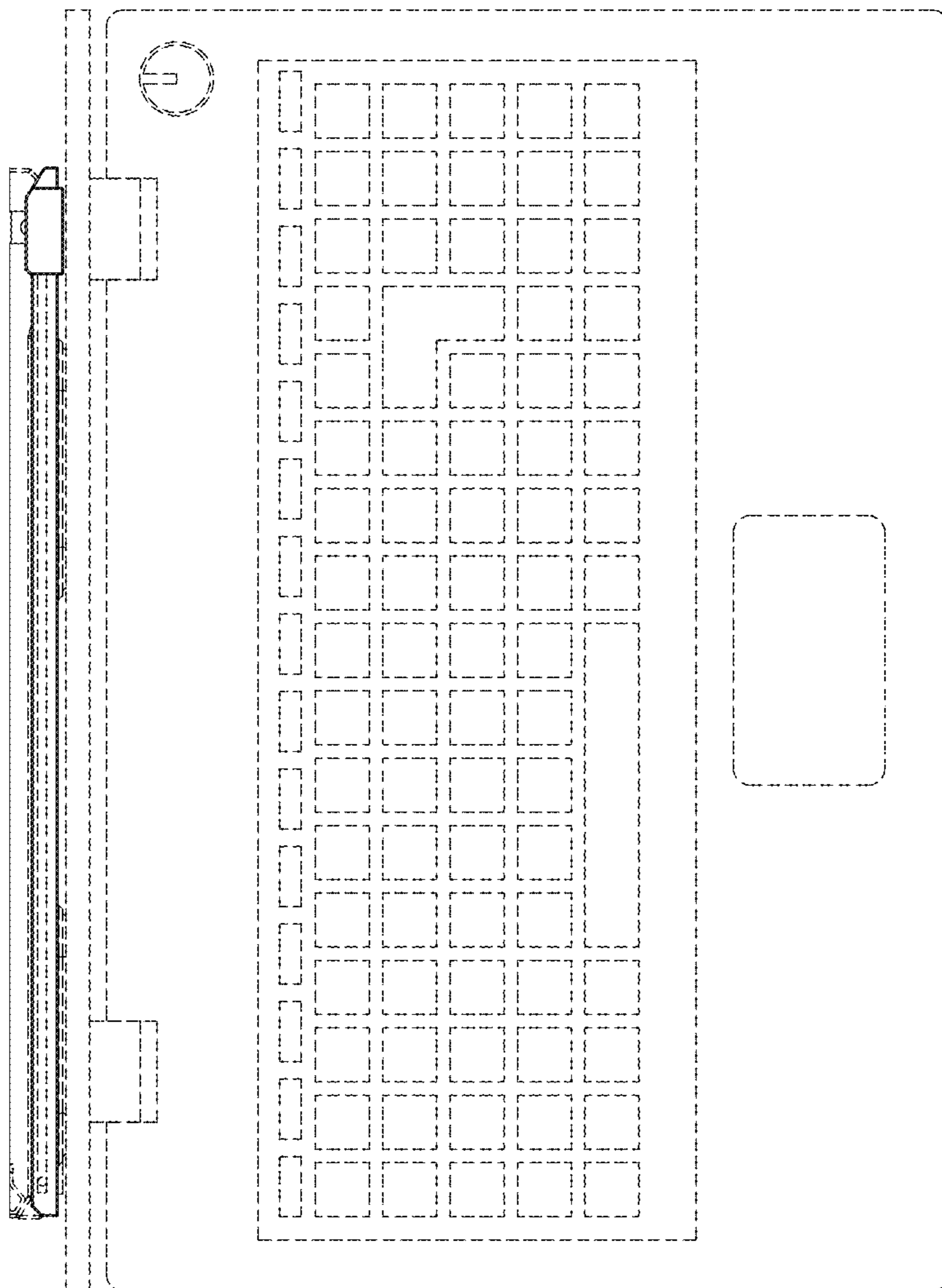


FIG. 19

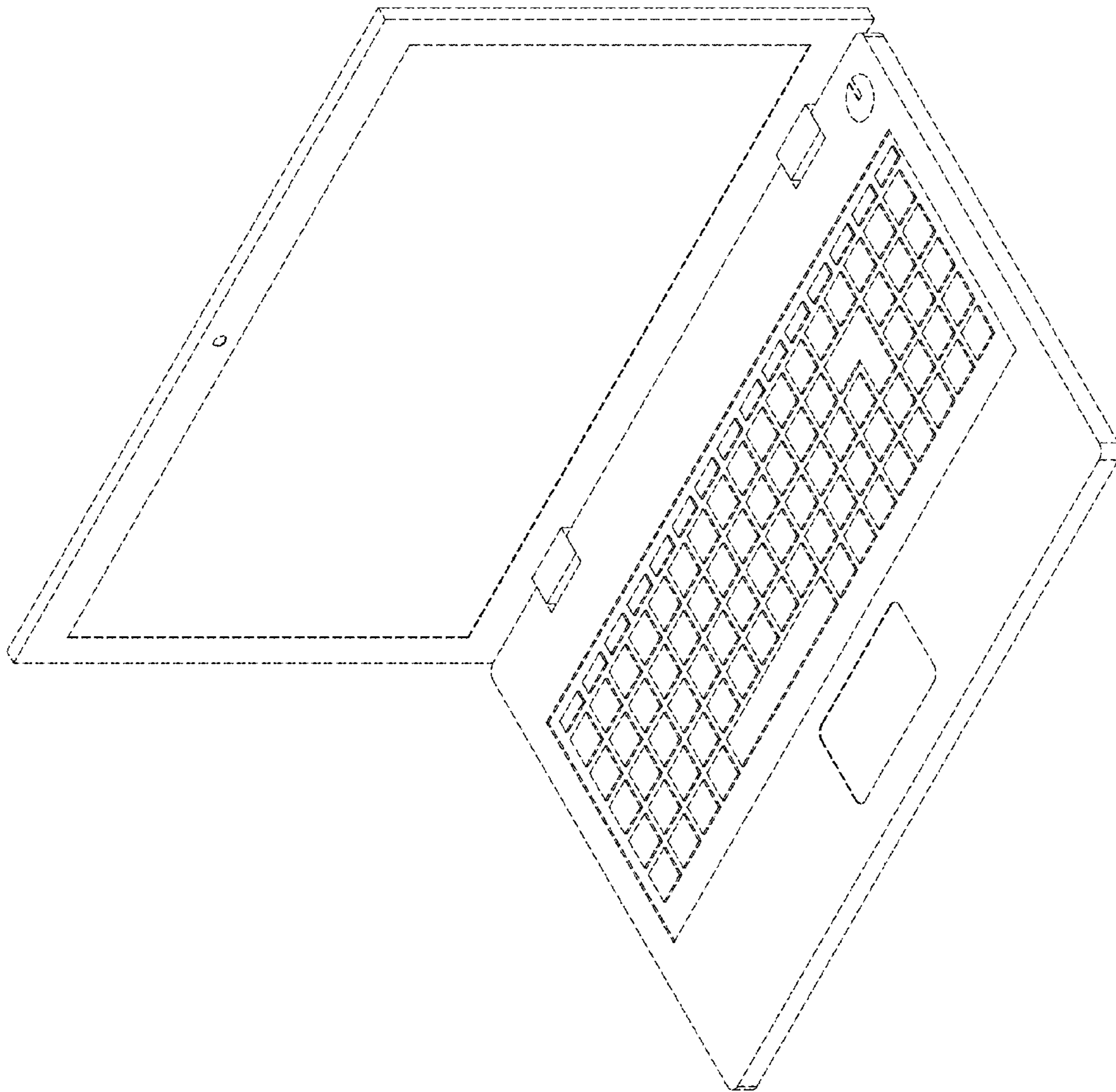


FIG. 20



FIG. 21

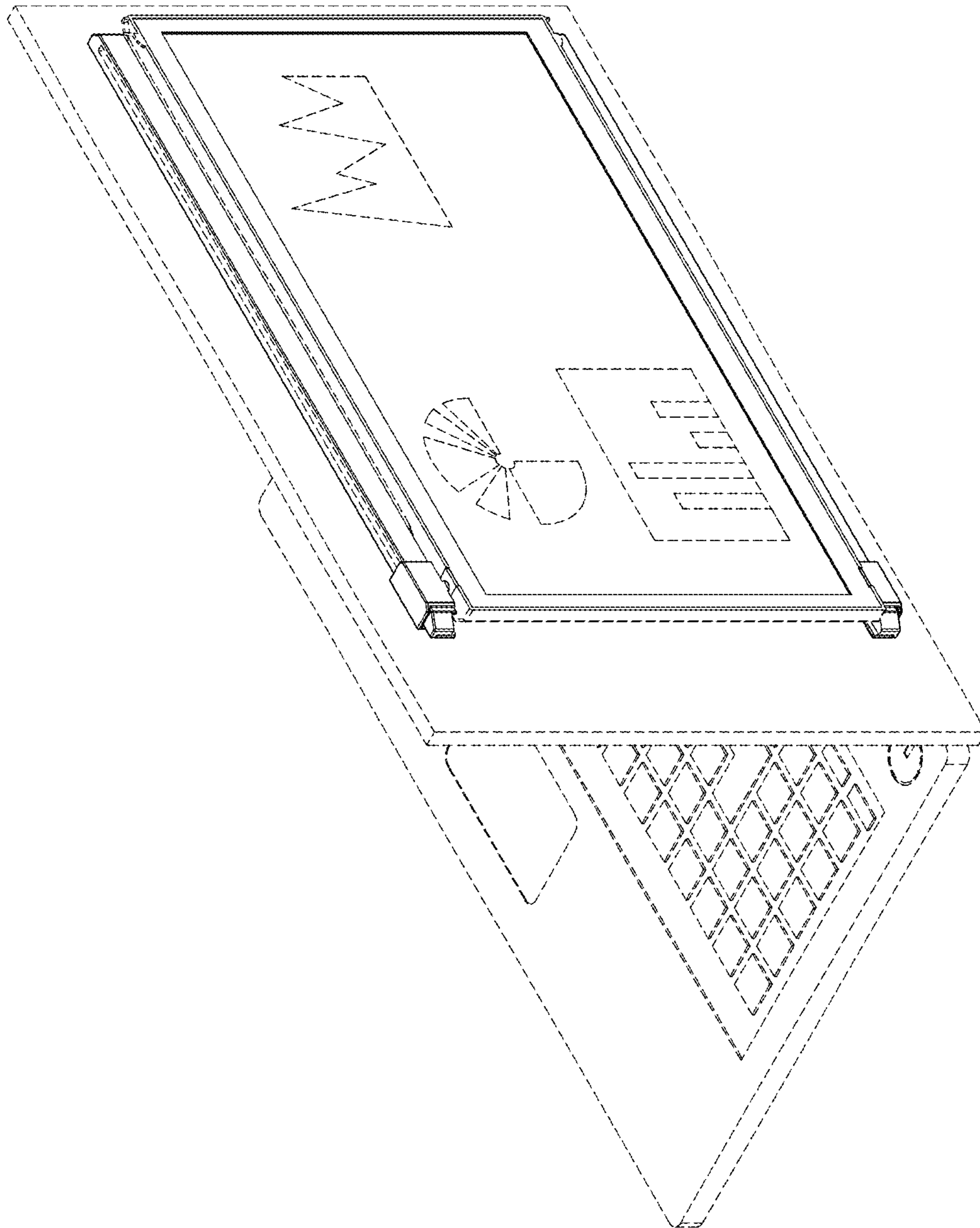


FIG. 22

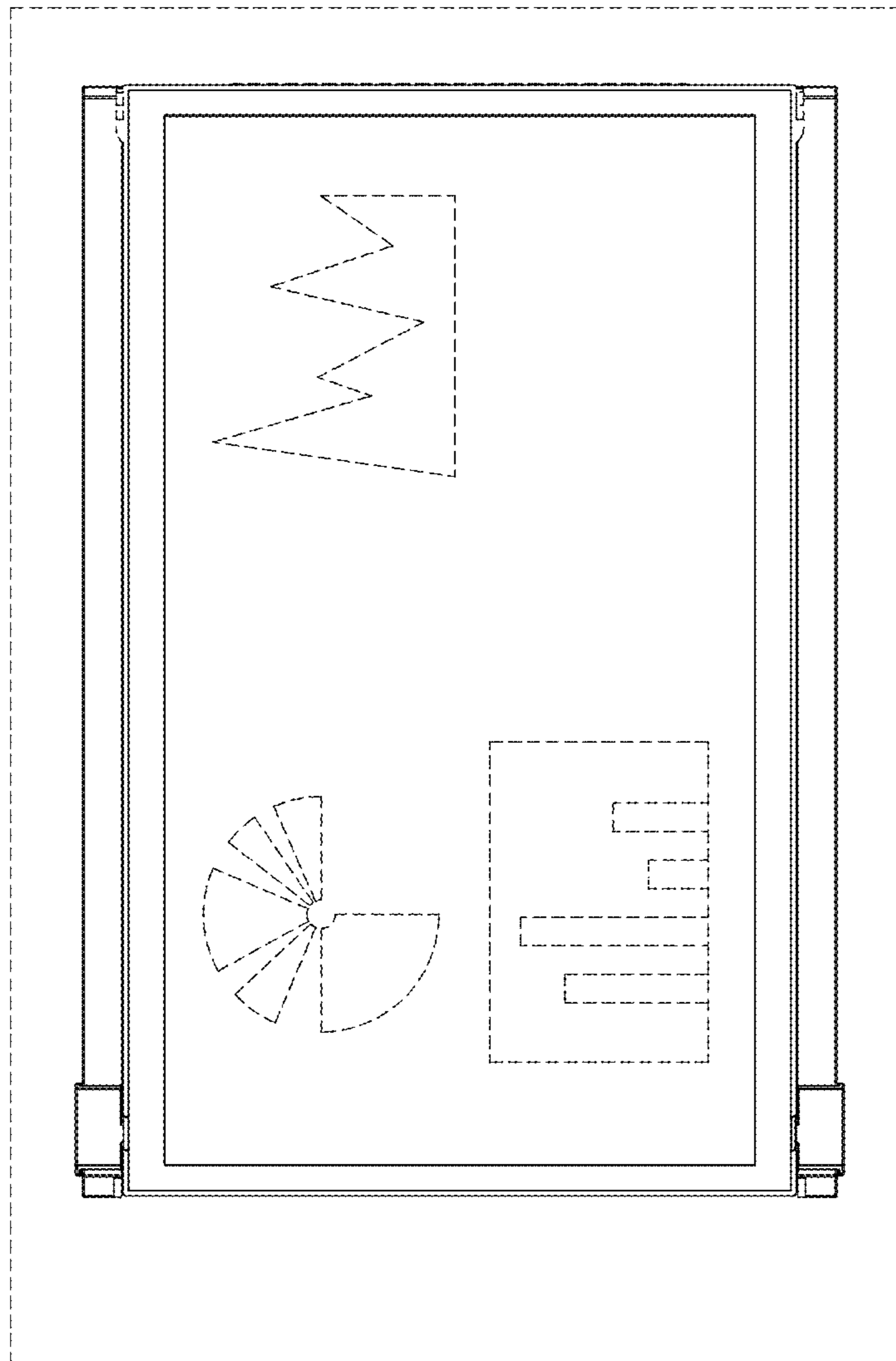


FIG. 23

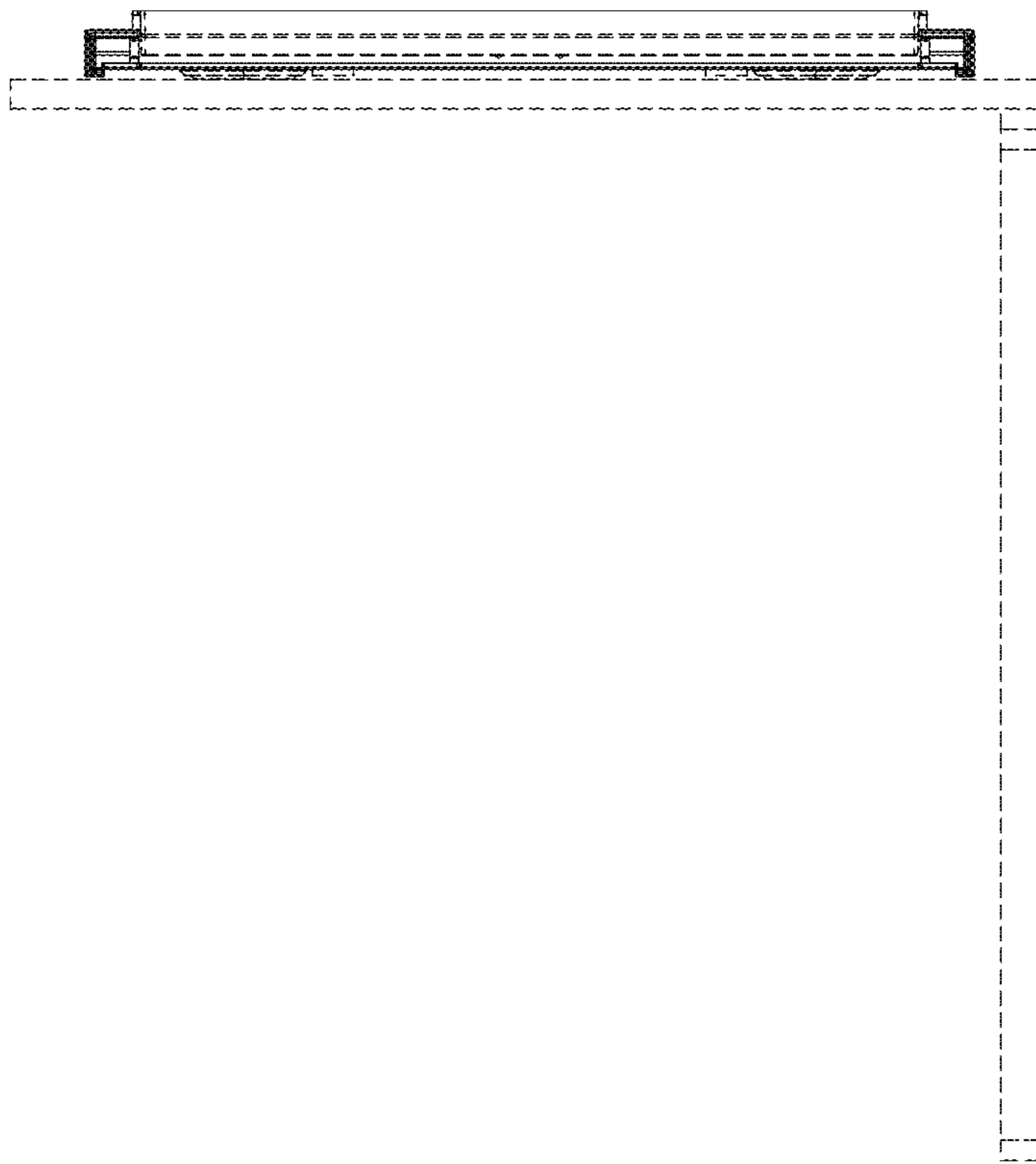


FIG. 24

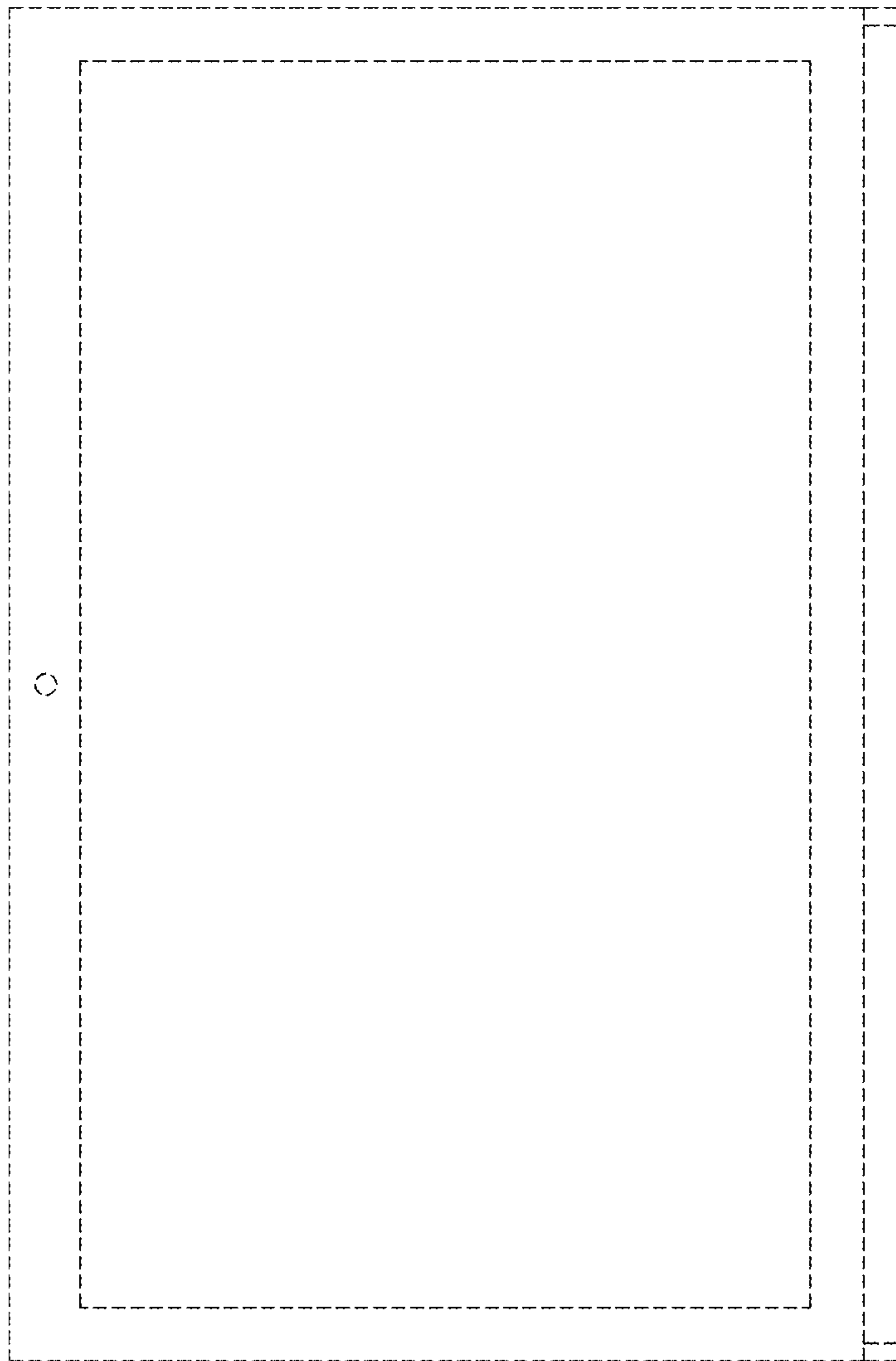


FIG. 25

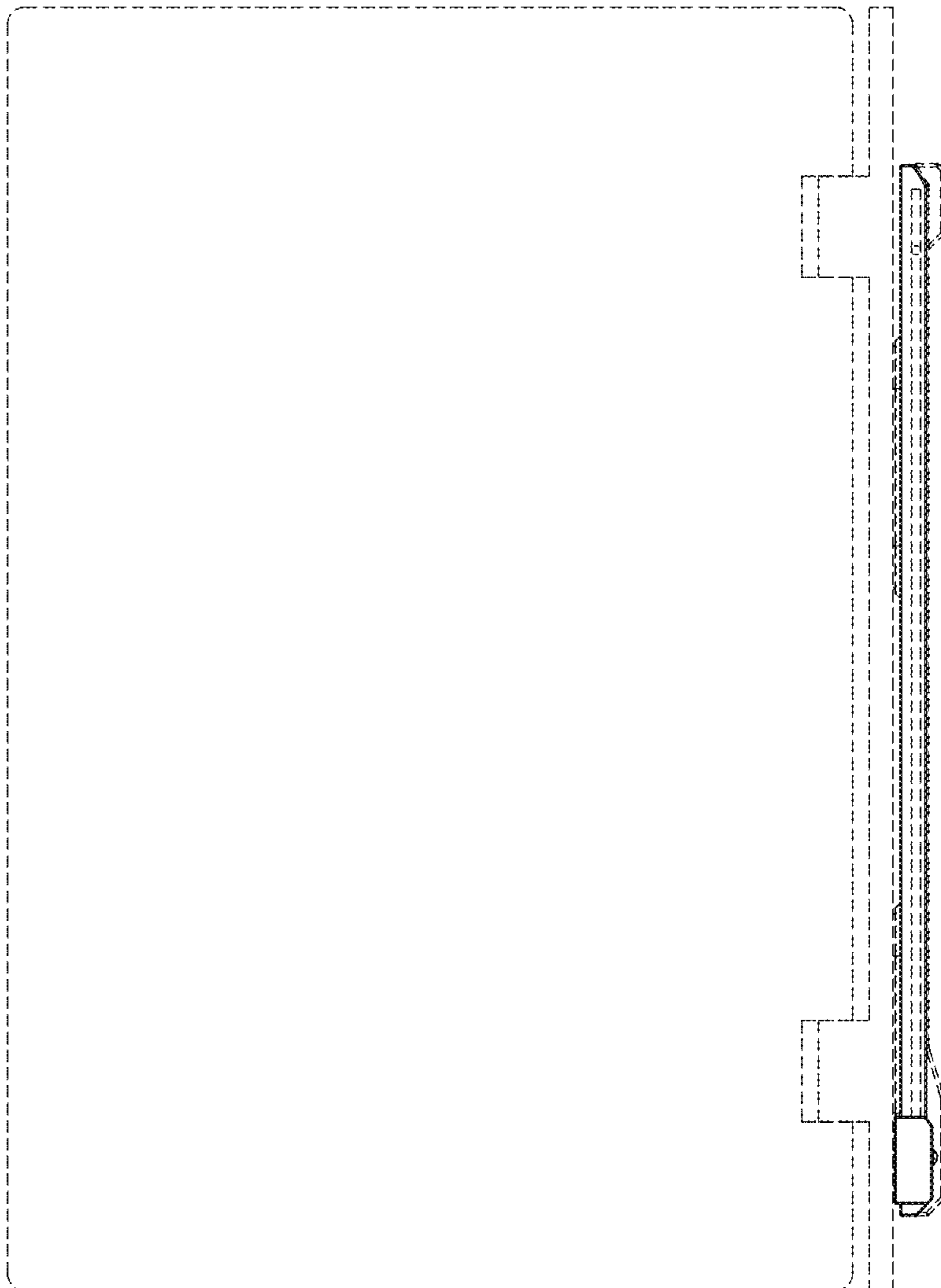


FIG. 26

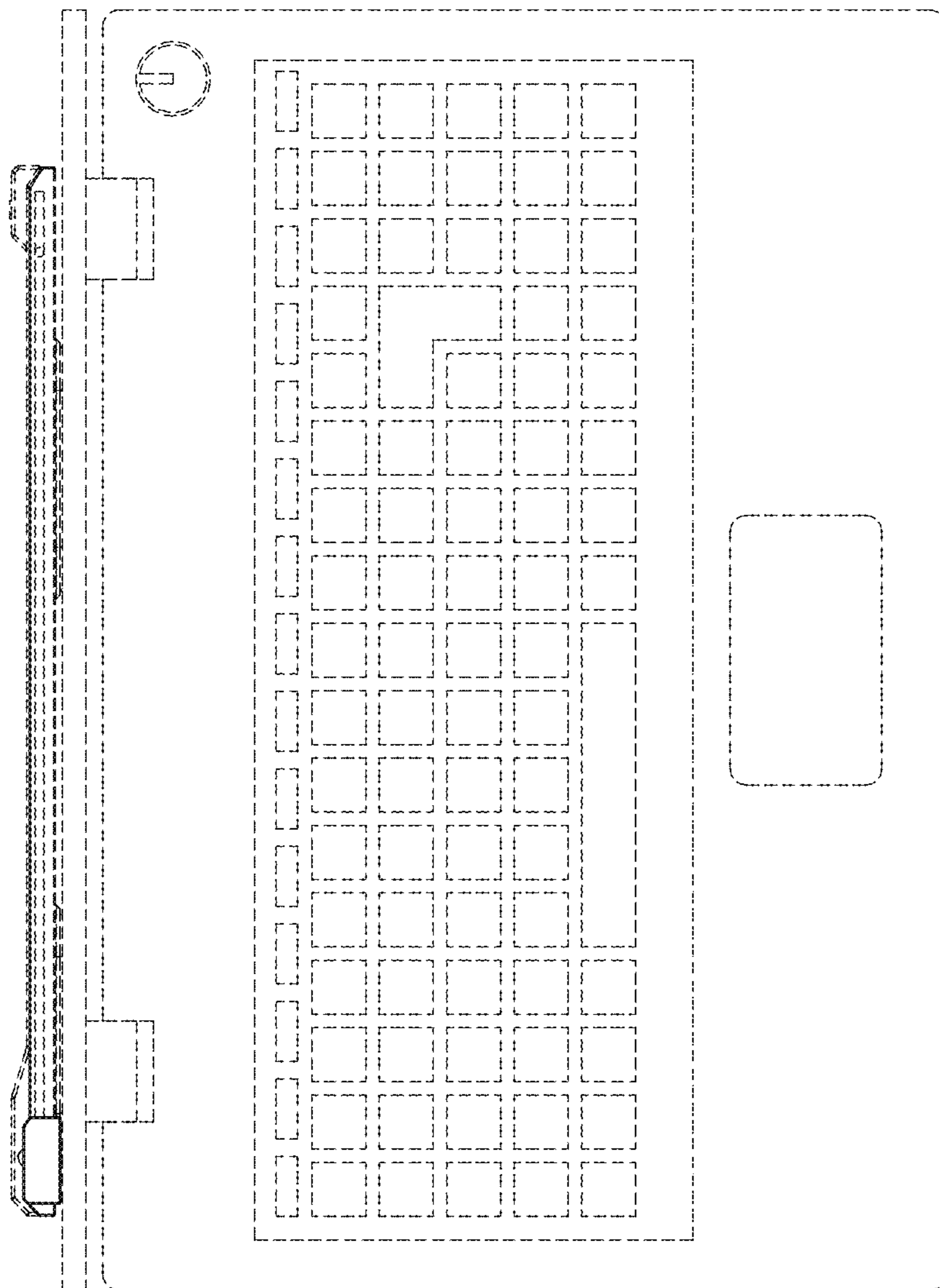


FIG. 27

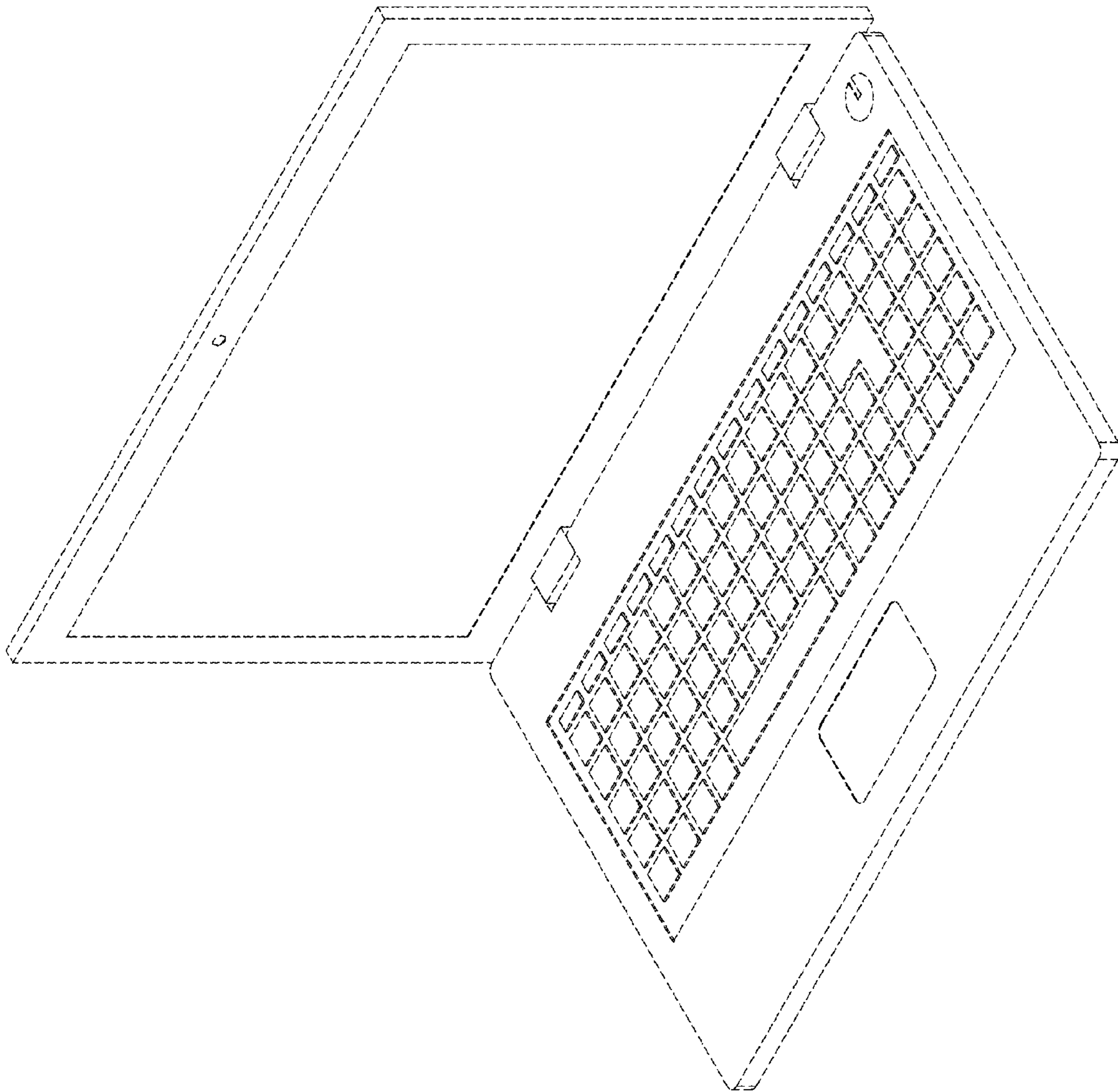


FIG. 28

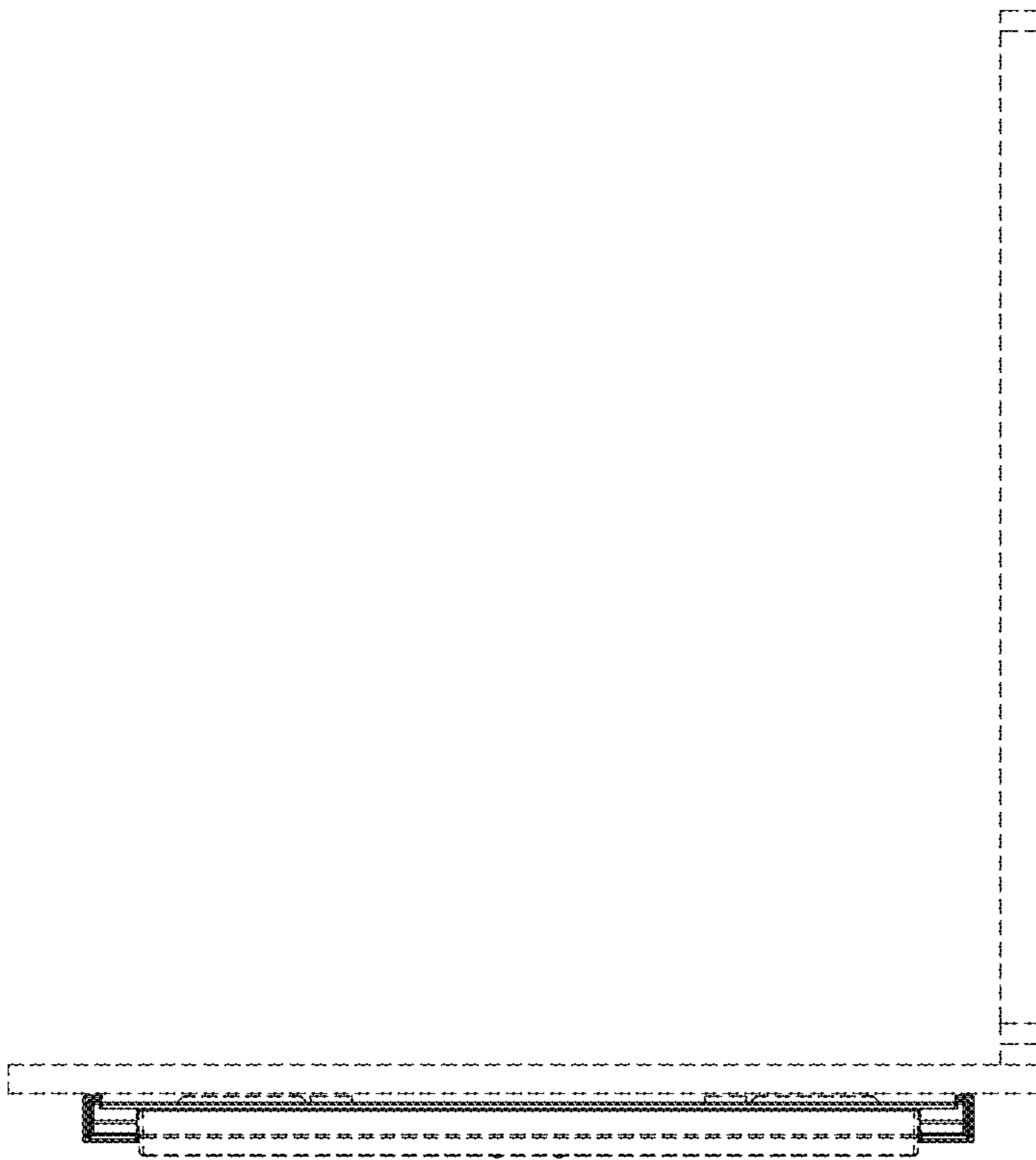


FIG. 29

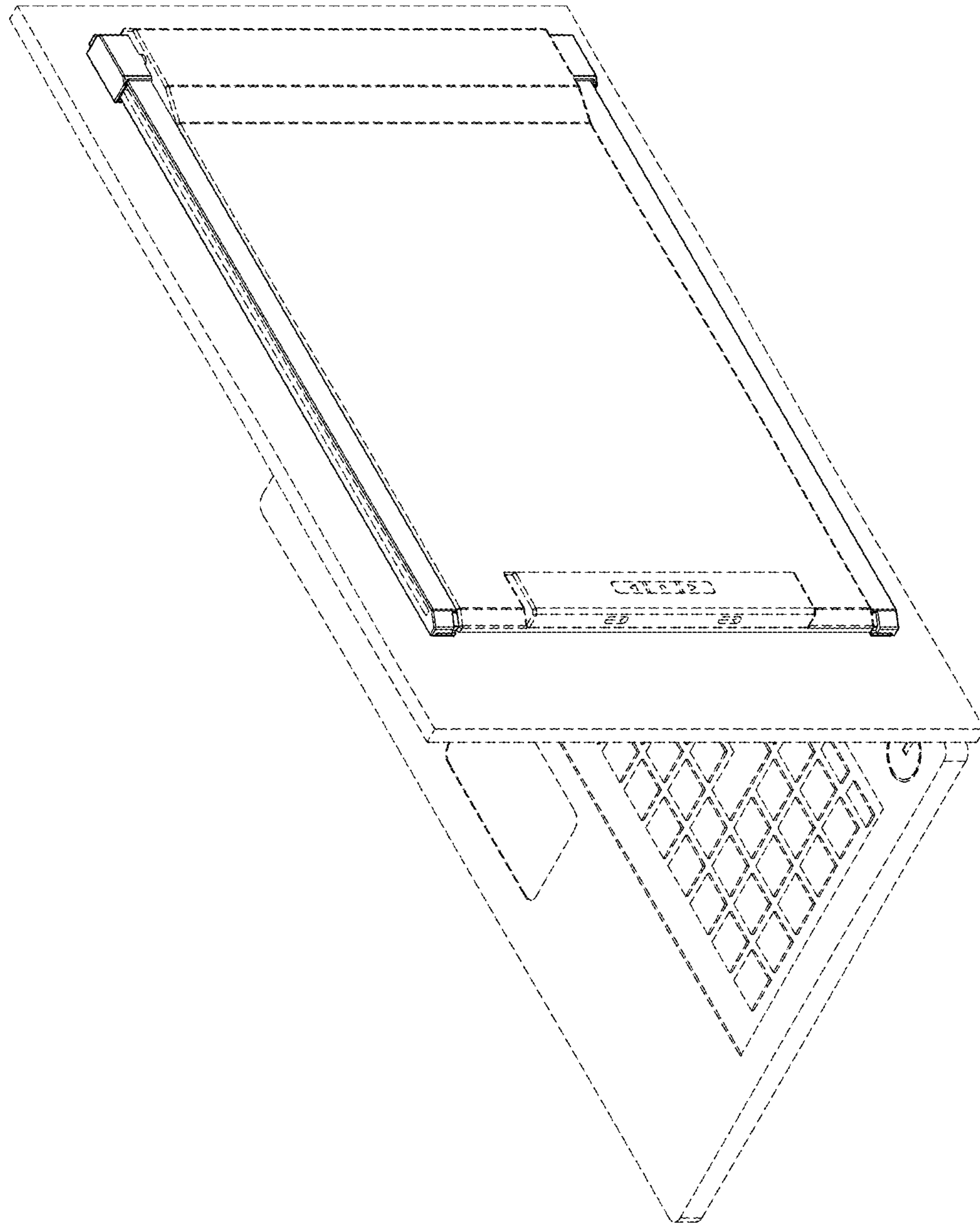


FIG. 30

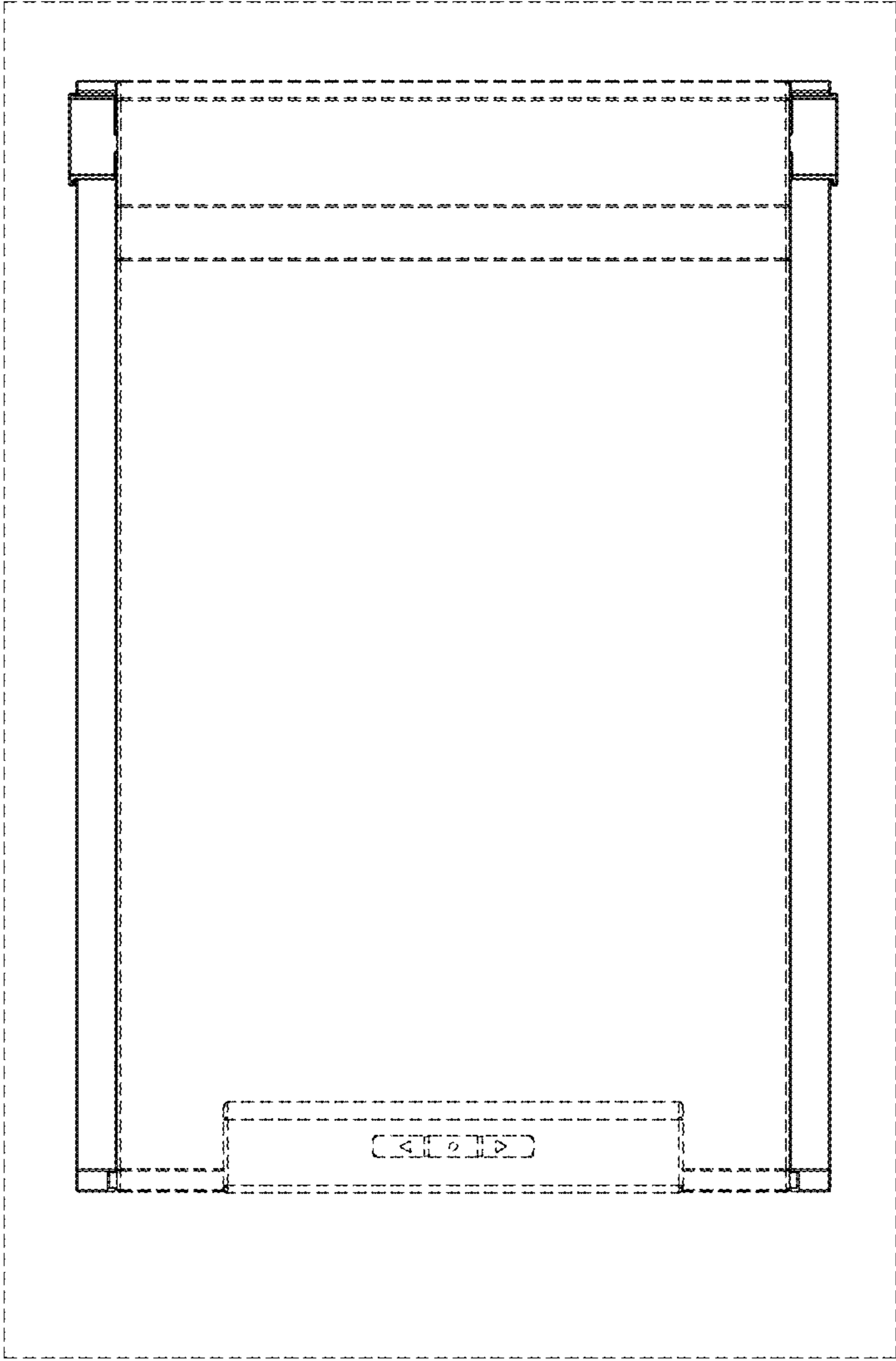


FIG. 31

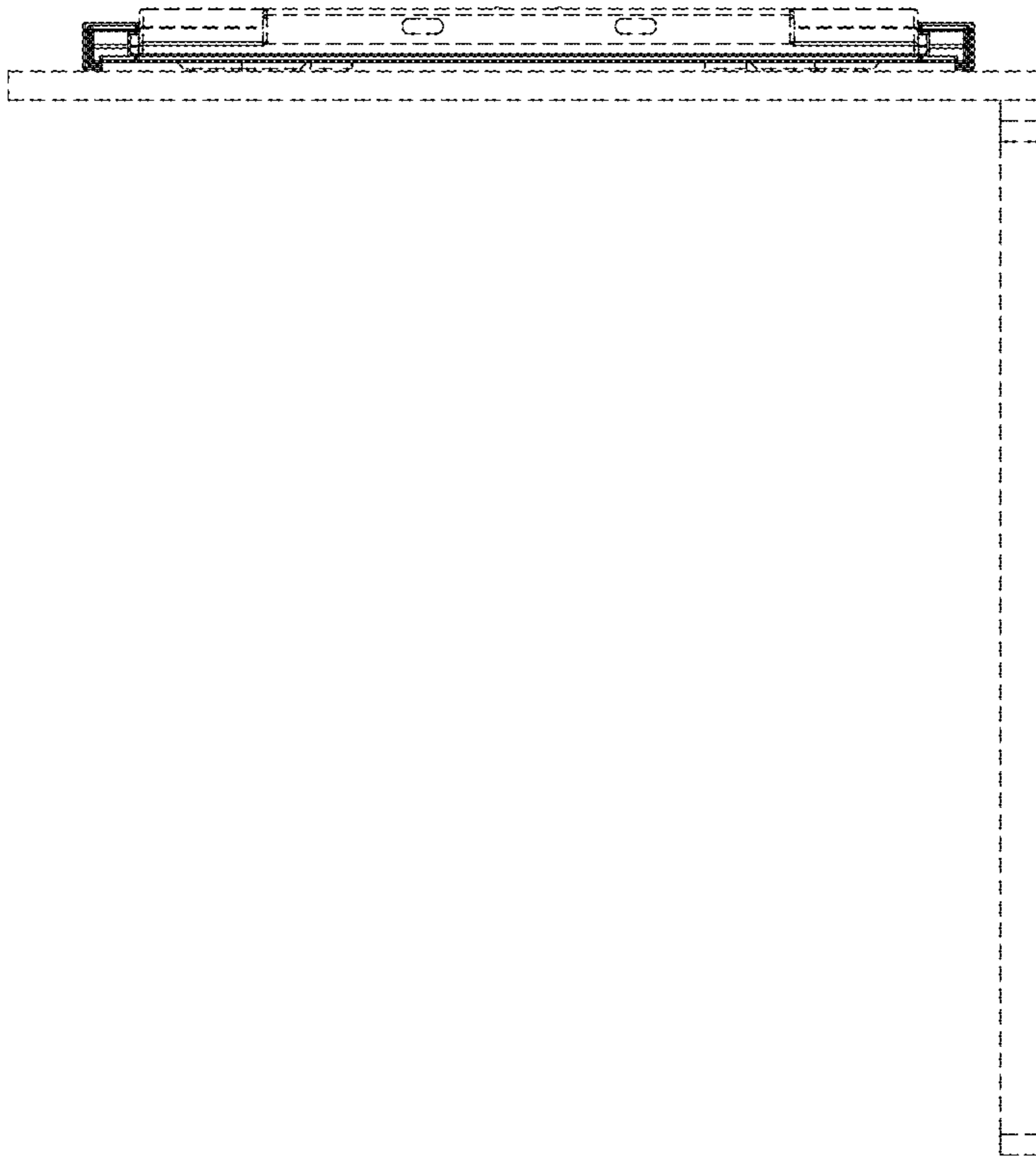


FIG. 32

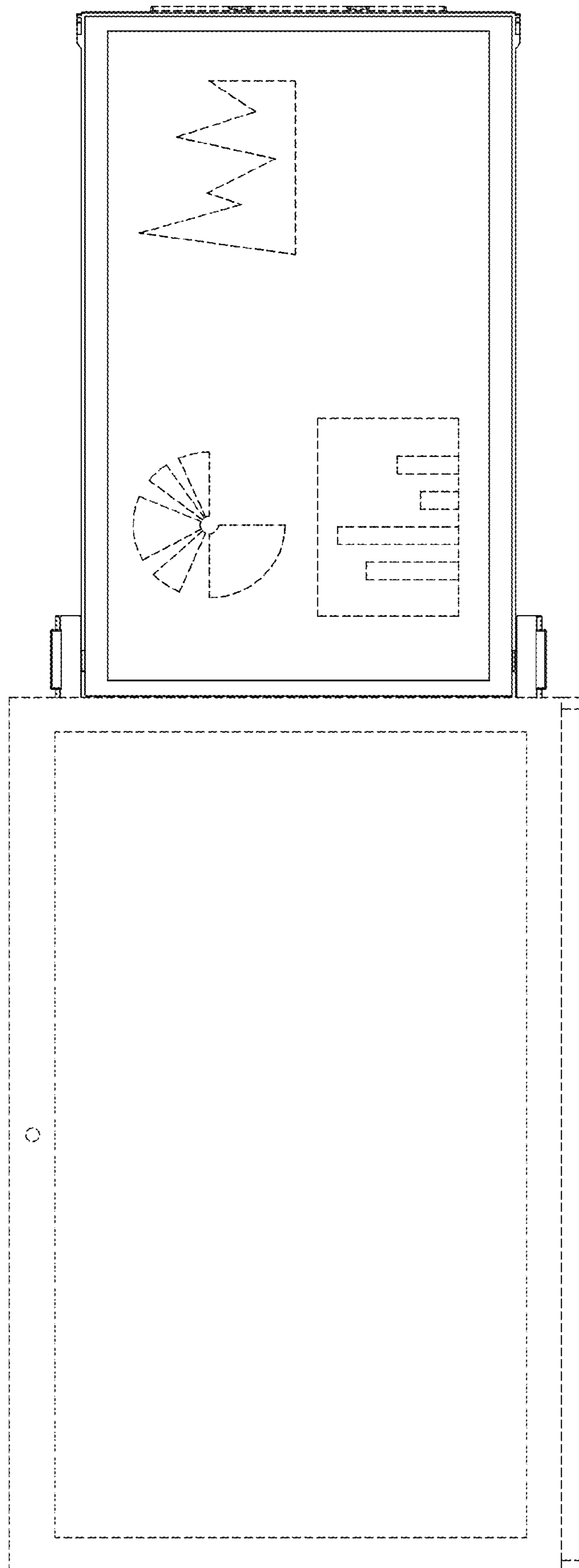


FIG. 33

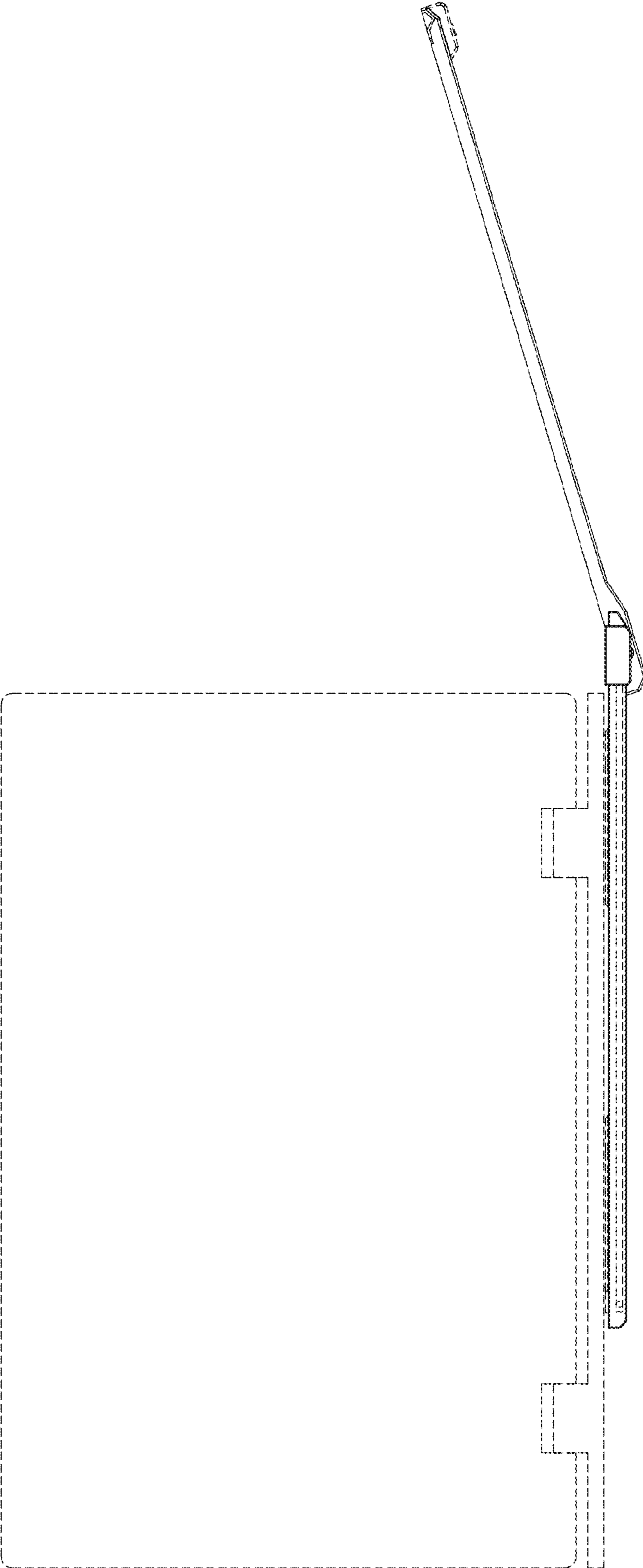


FIG. 34

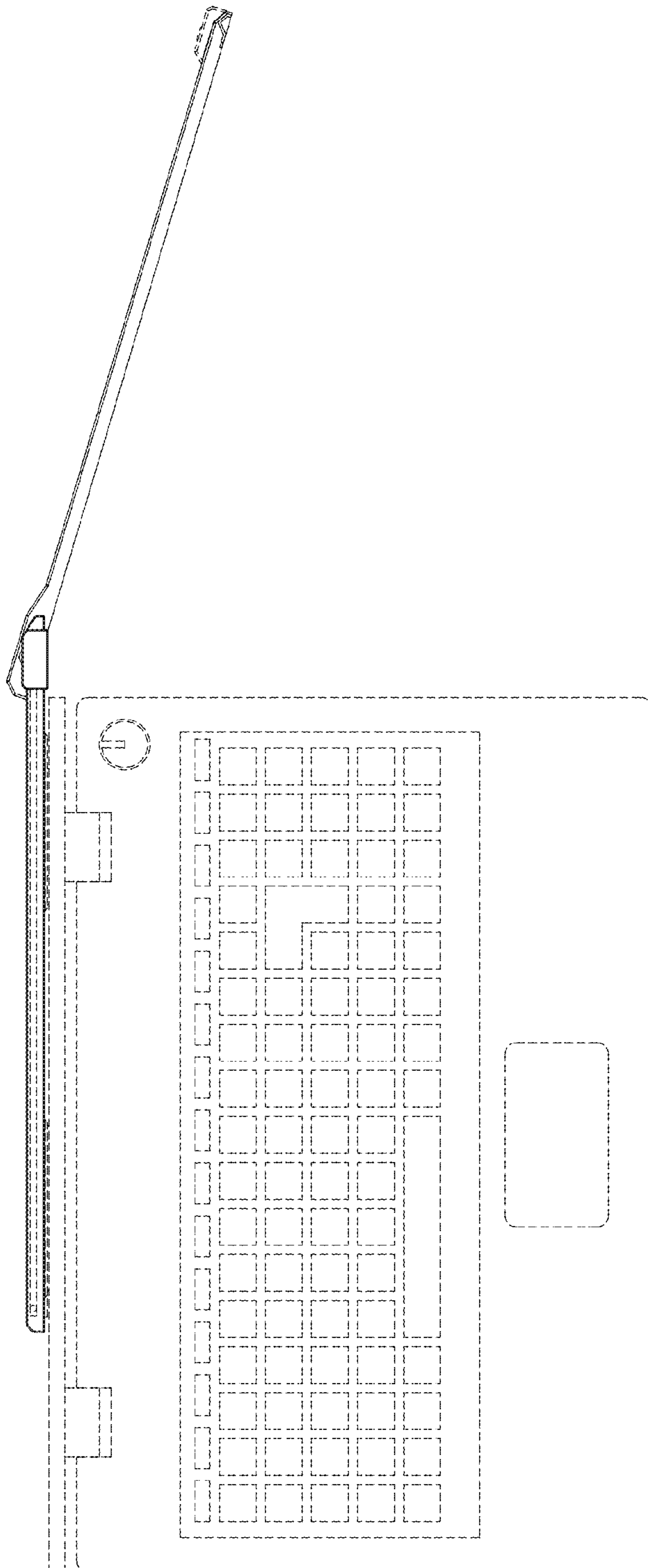


FIG. 35

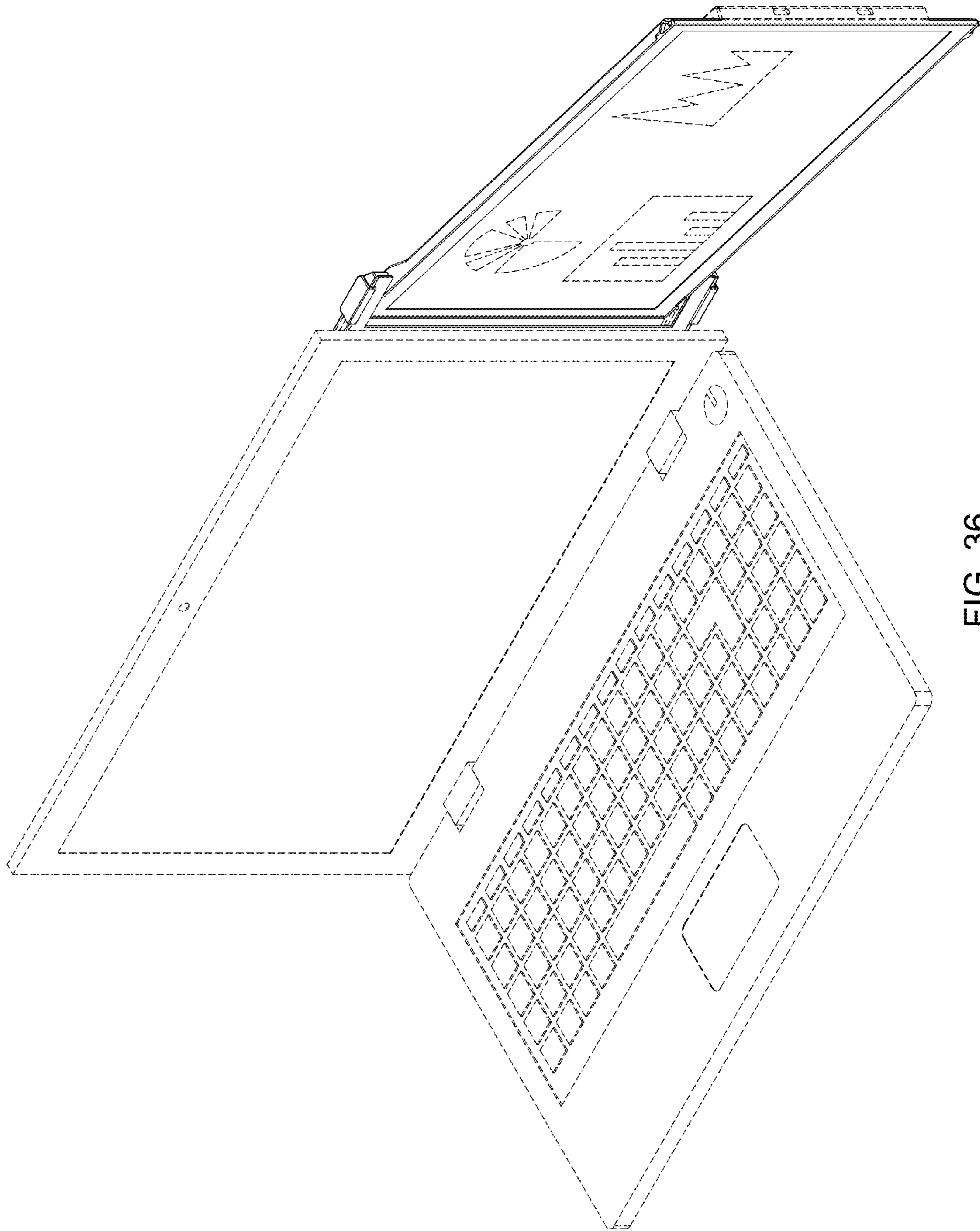


FIG. 36

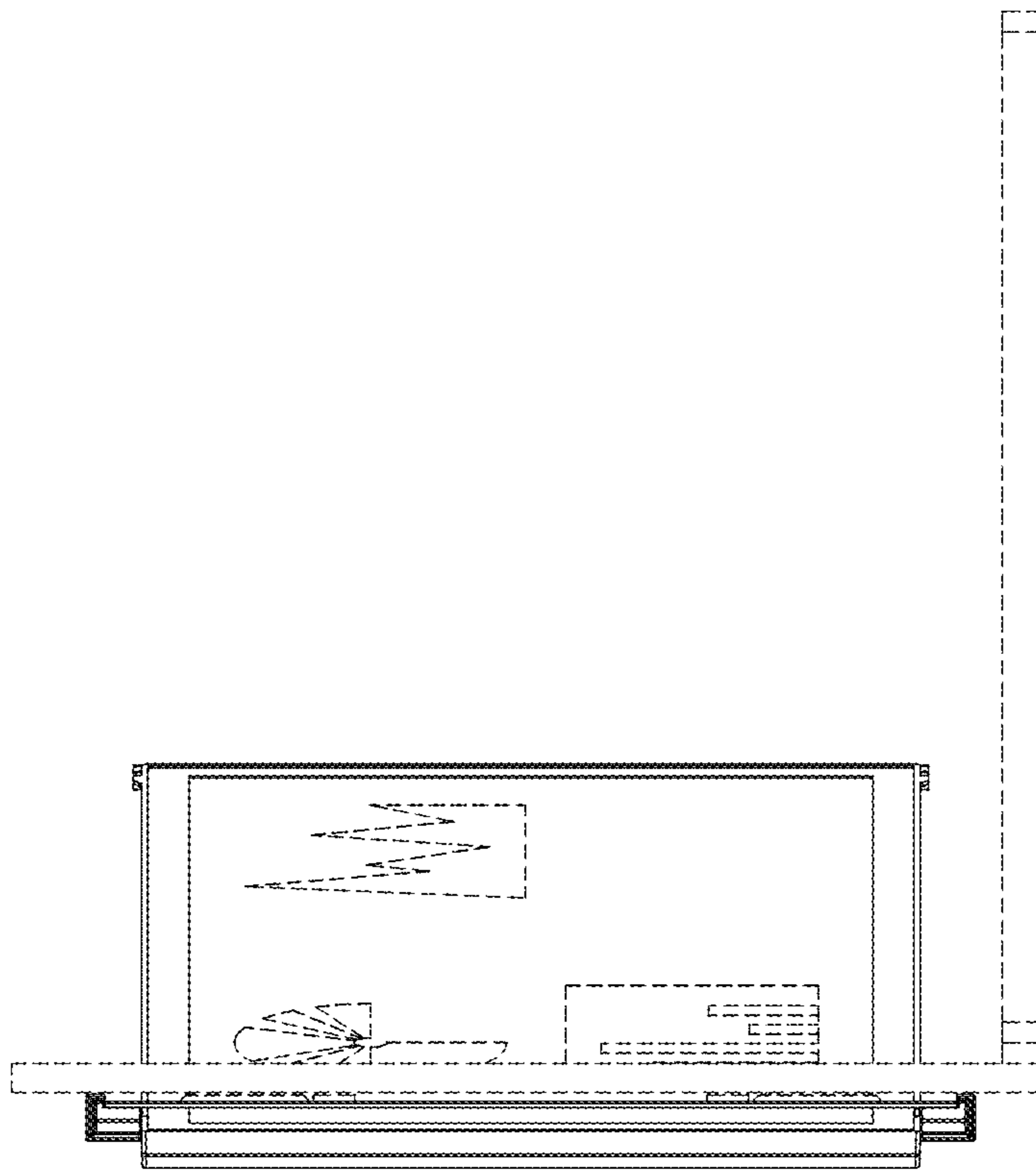


FIG. 37

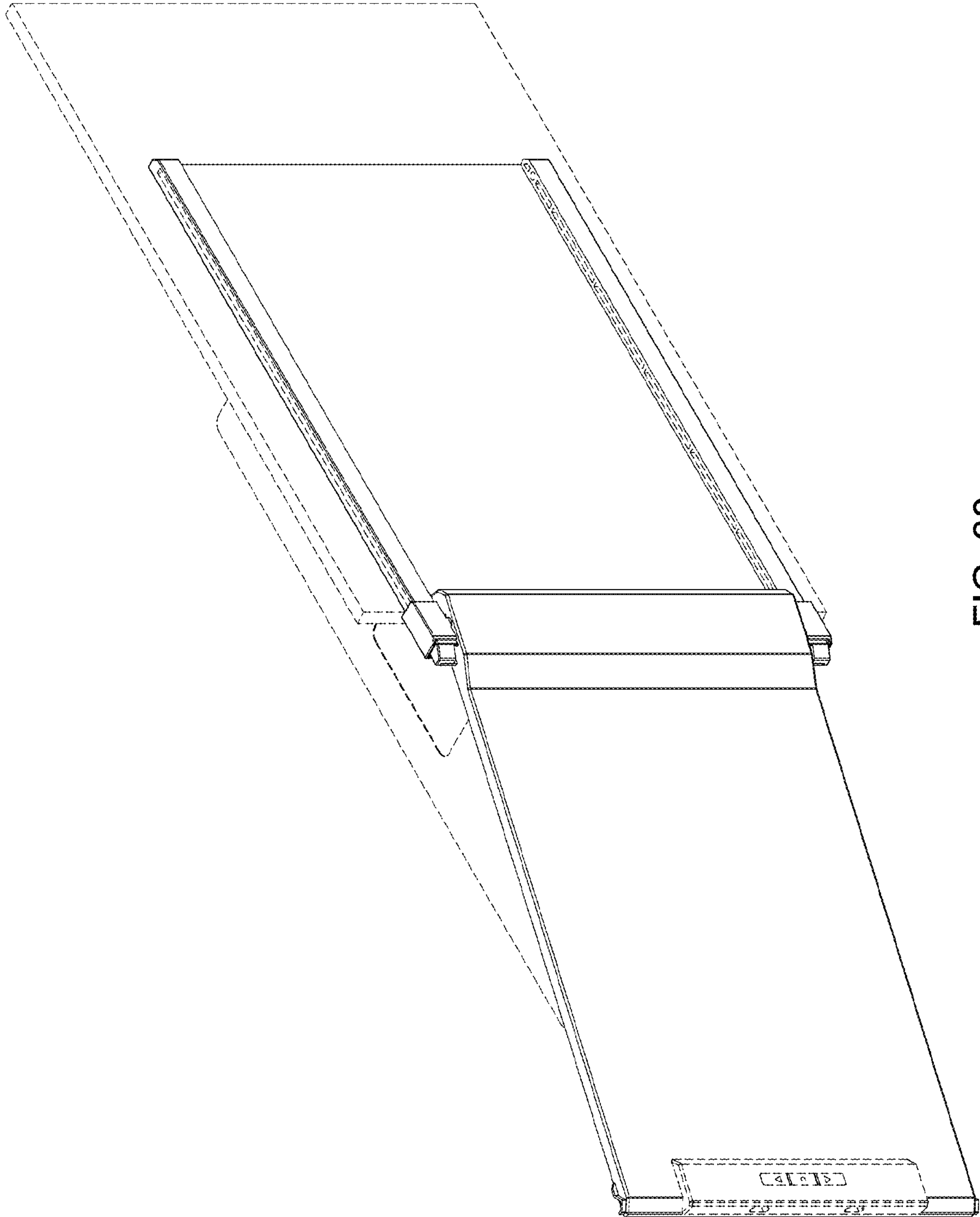


FIG. 38

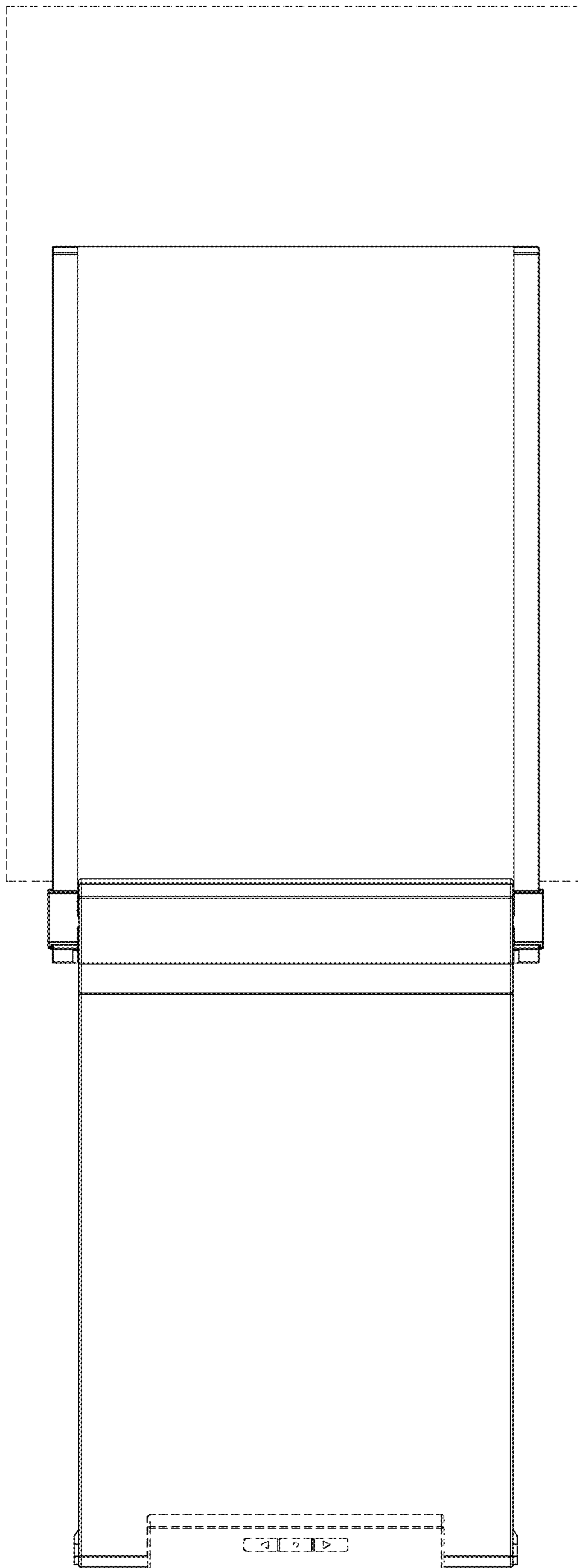


FIG. 39

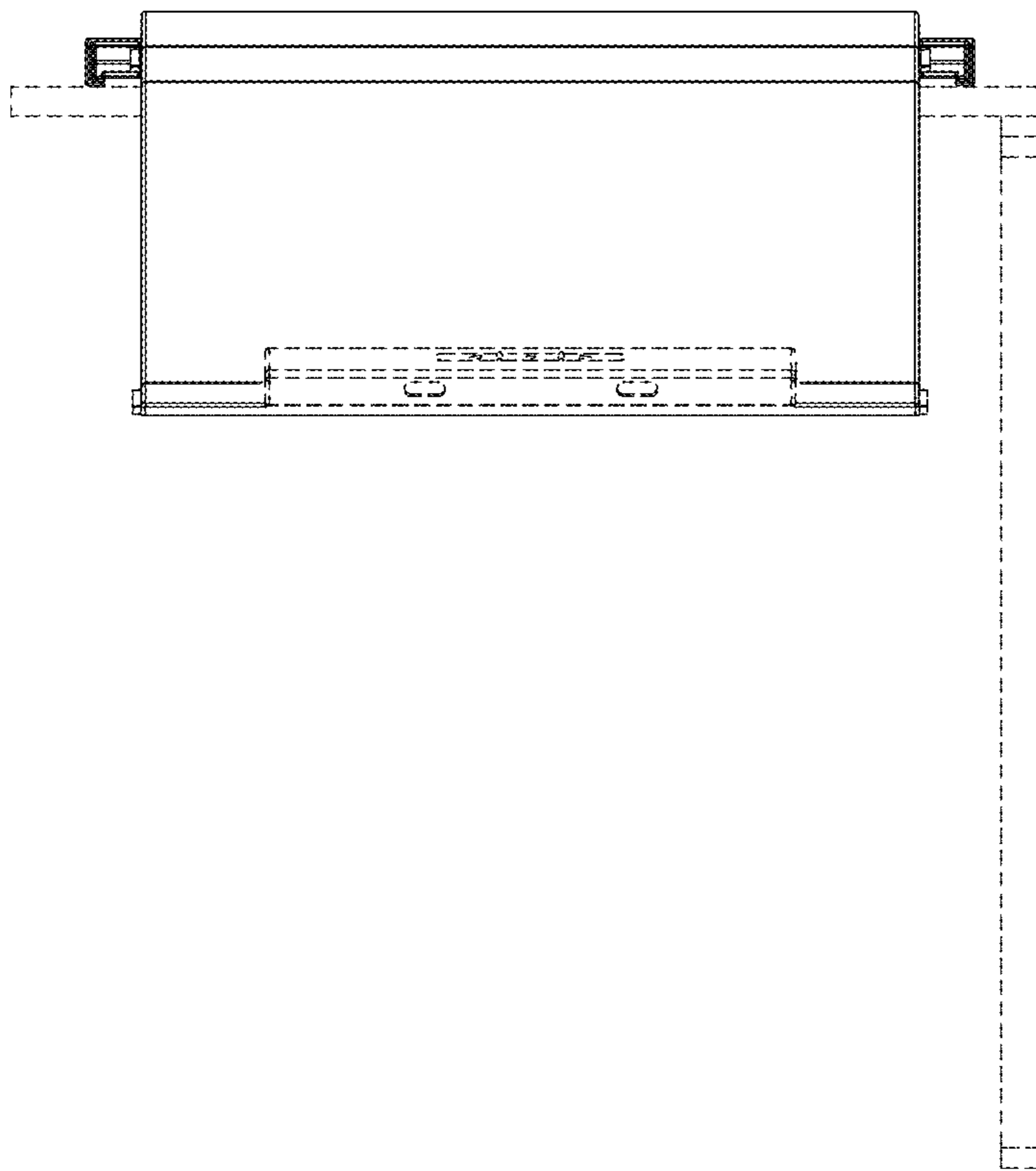


FIG. 40

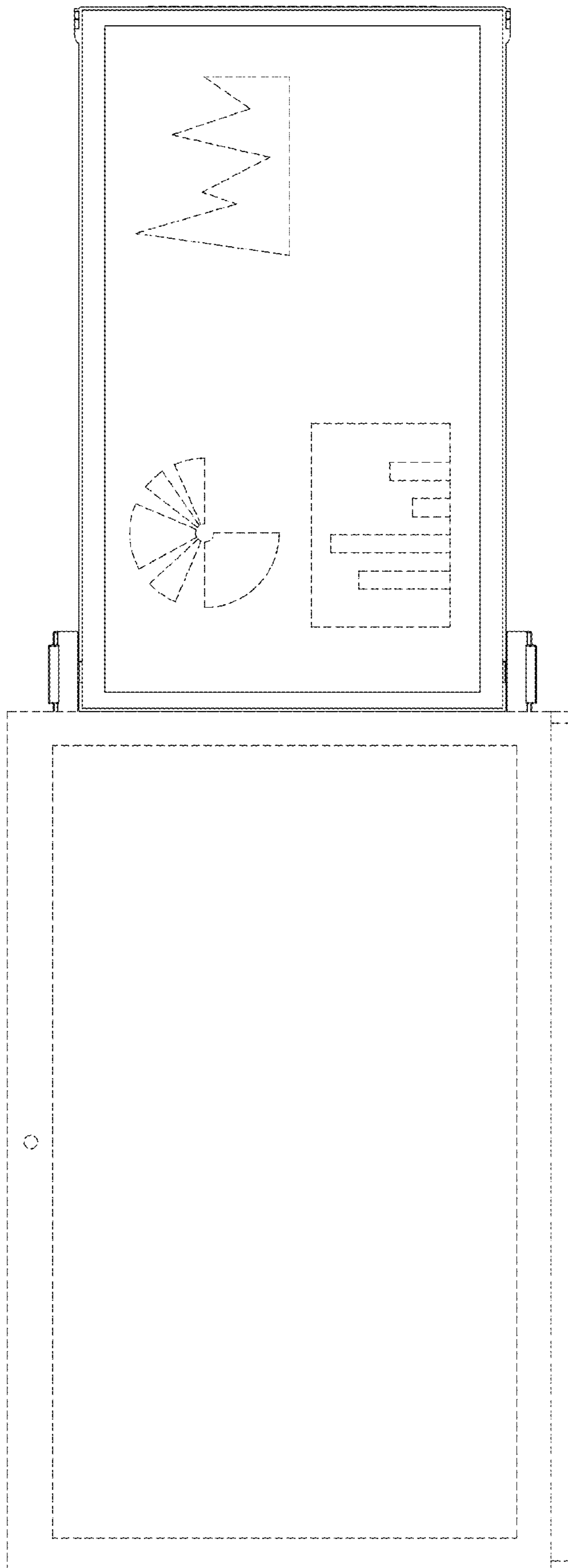


FIG. 41

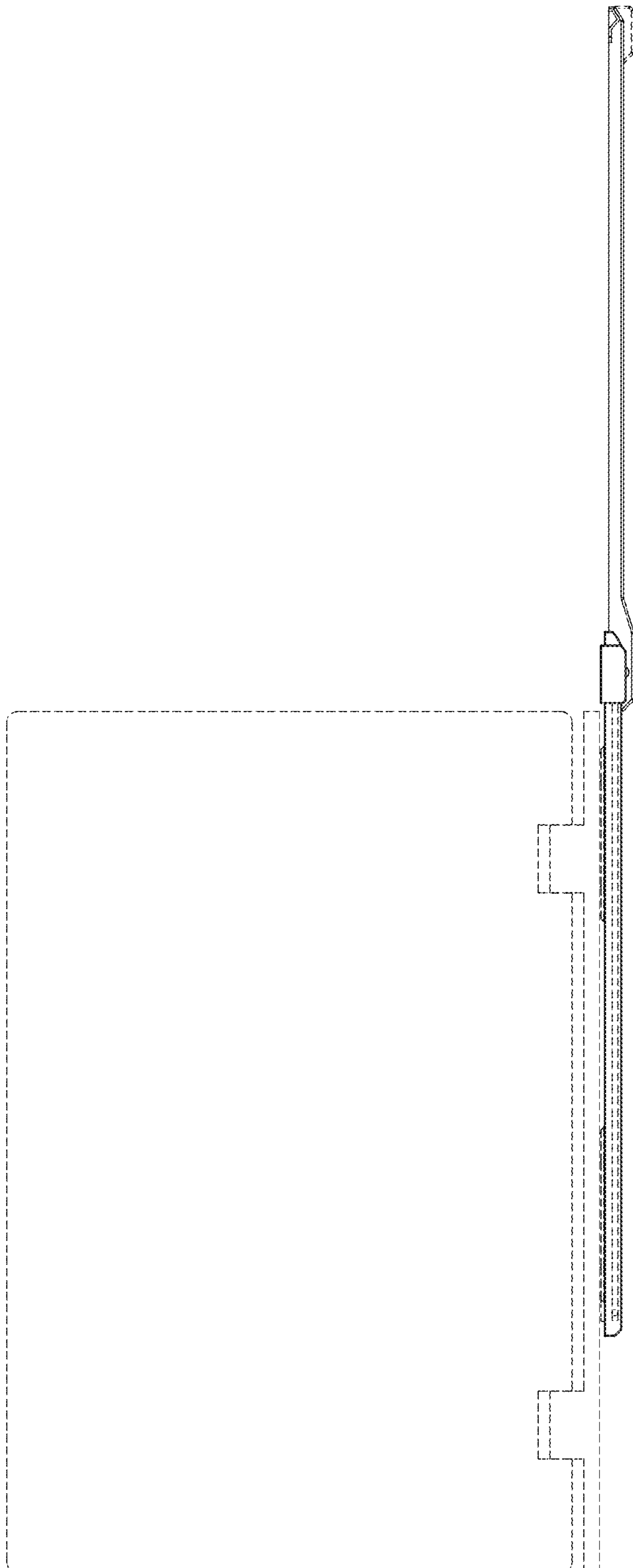


FIG. 42

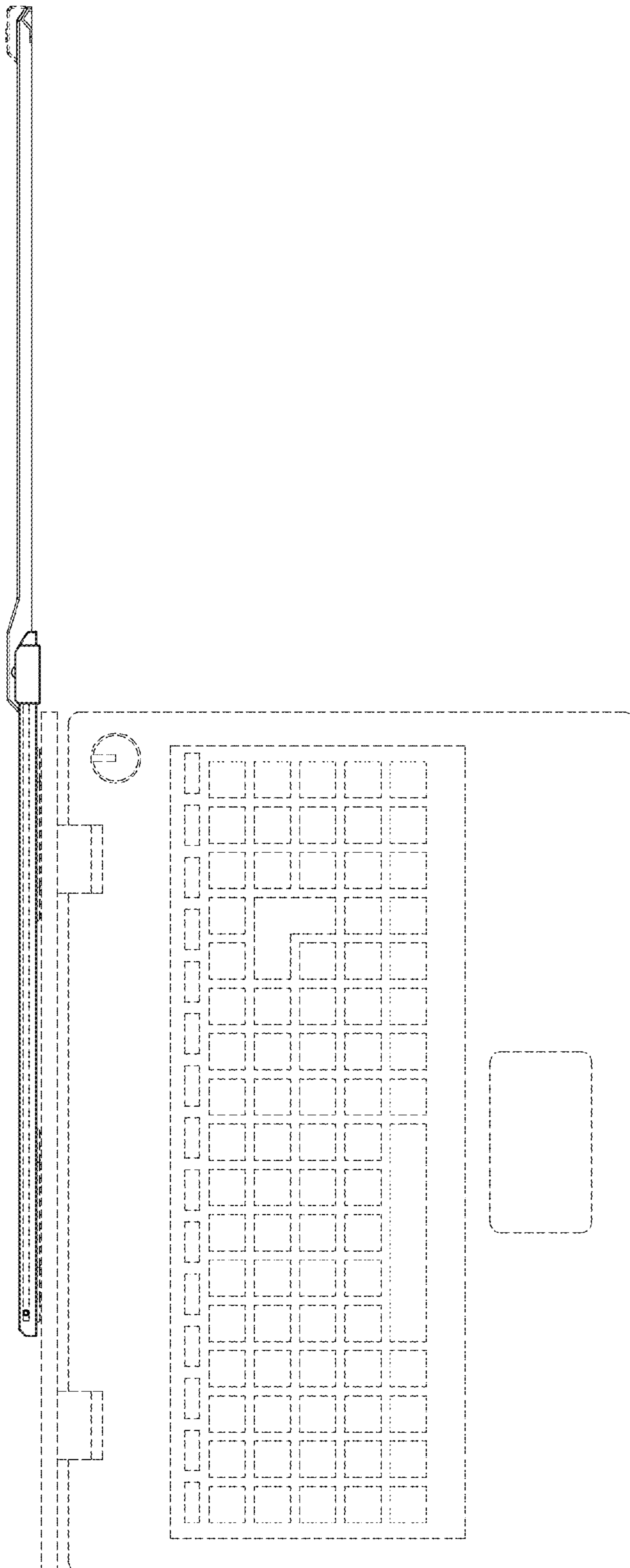


FIG. 43

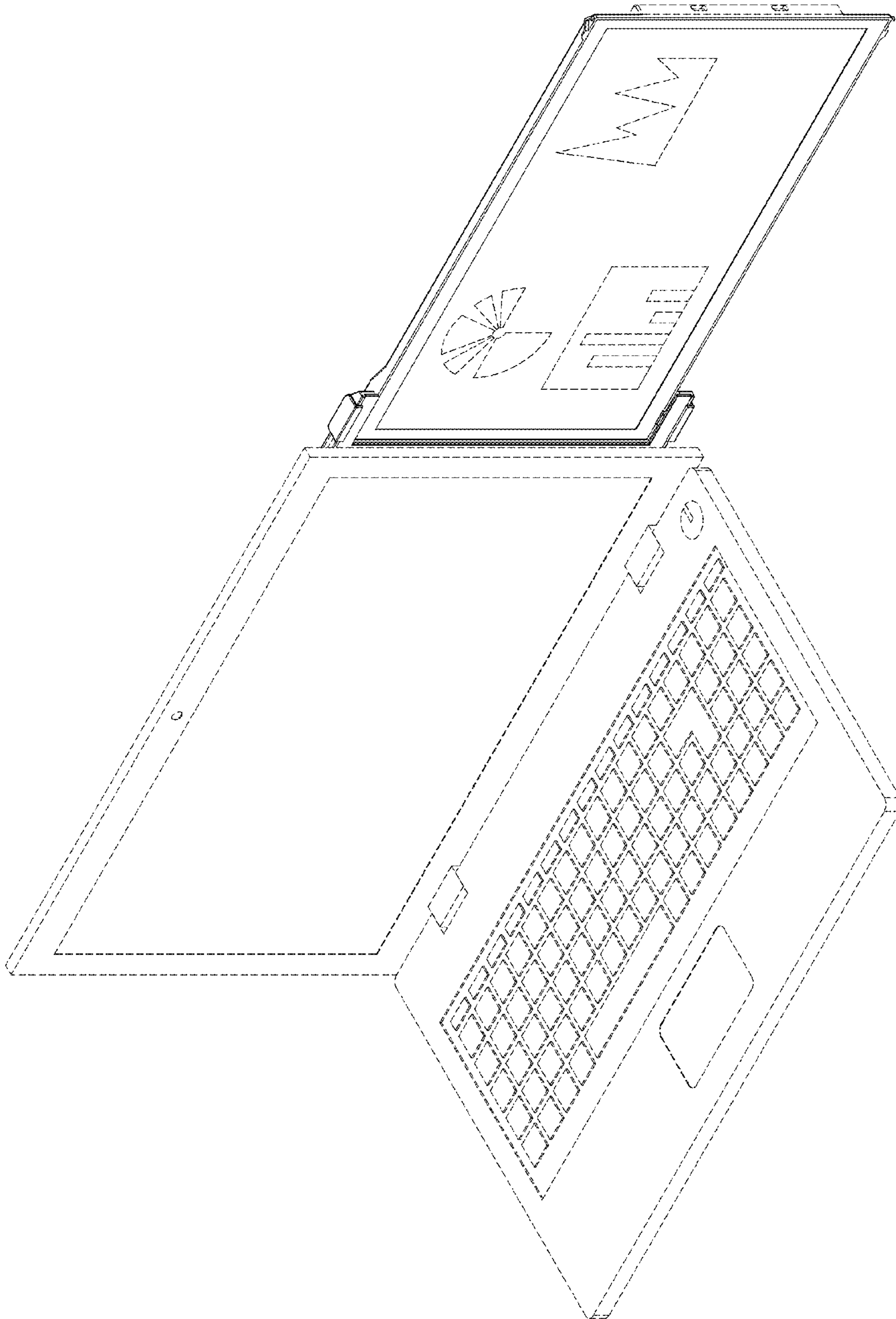


FIG. 44

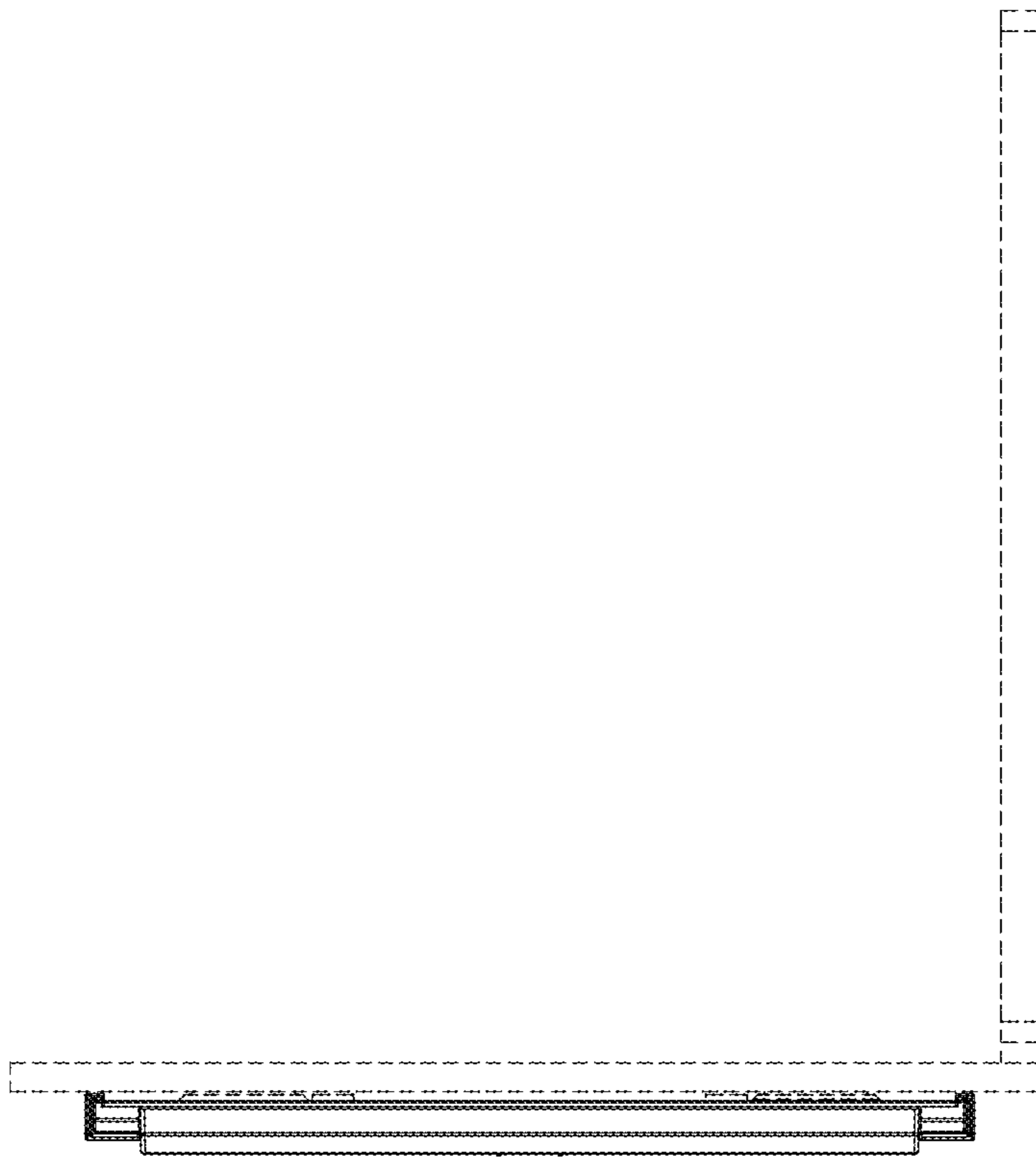


FIG. 45

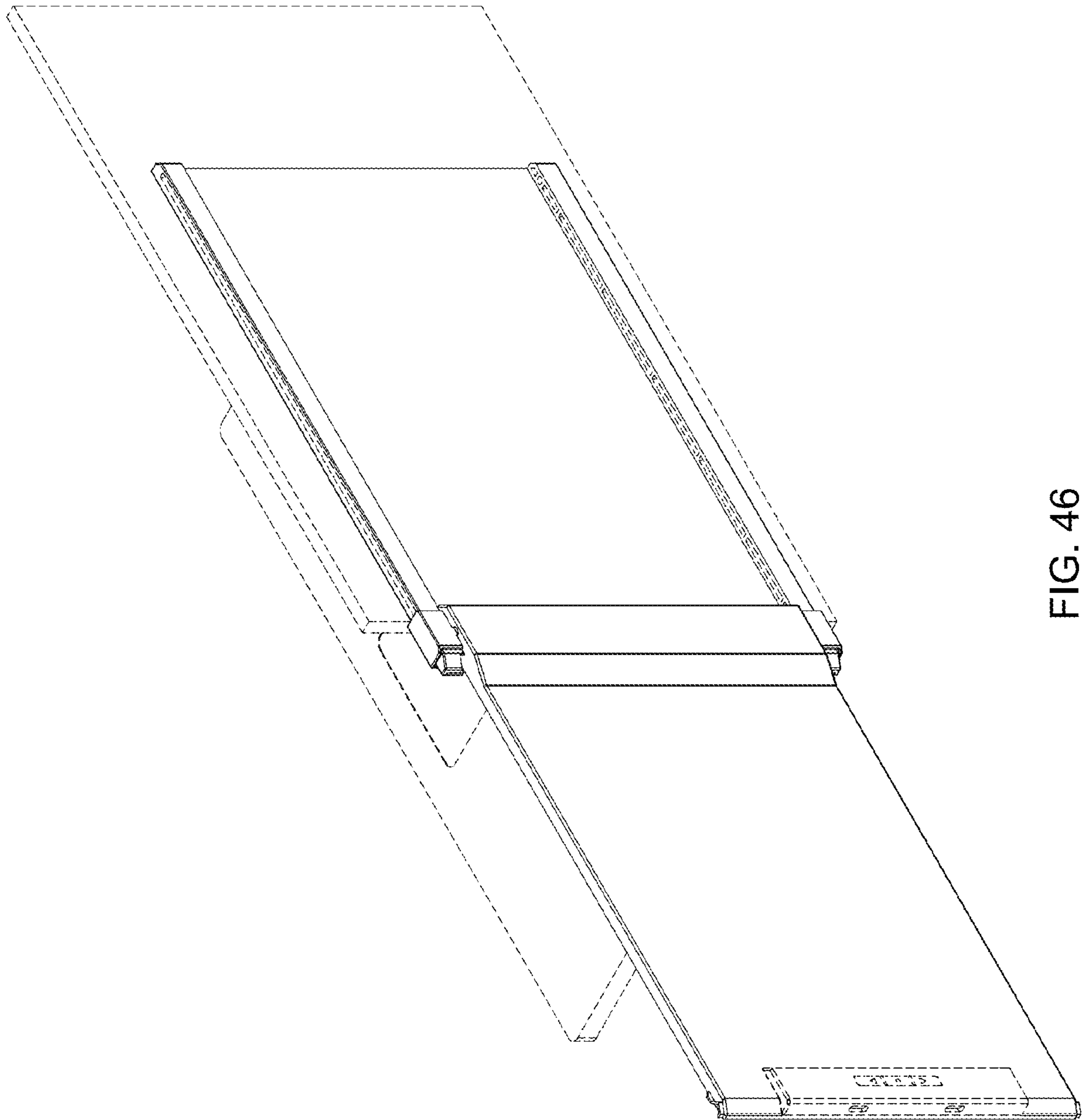


FIG. 46

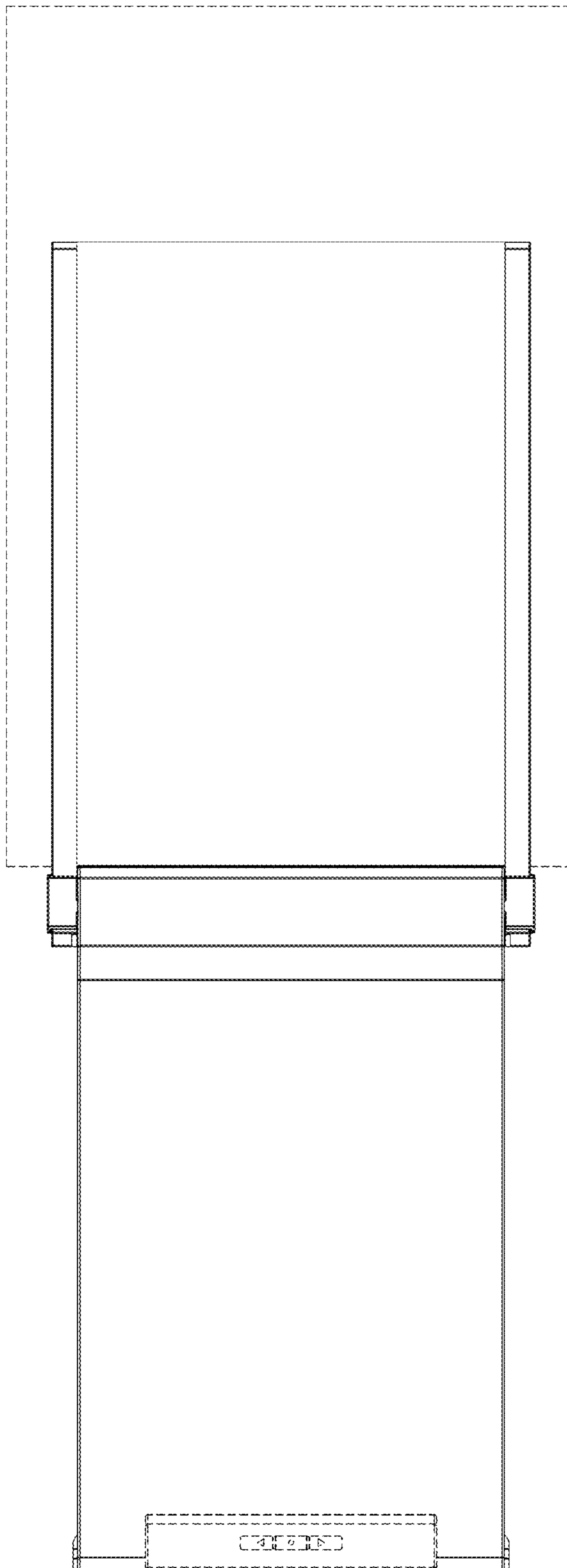


FIG. 47

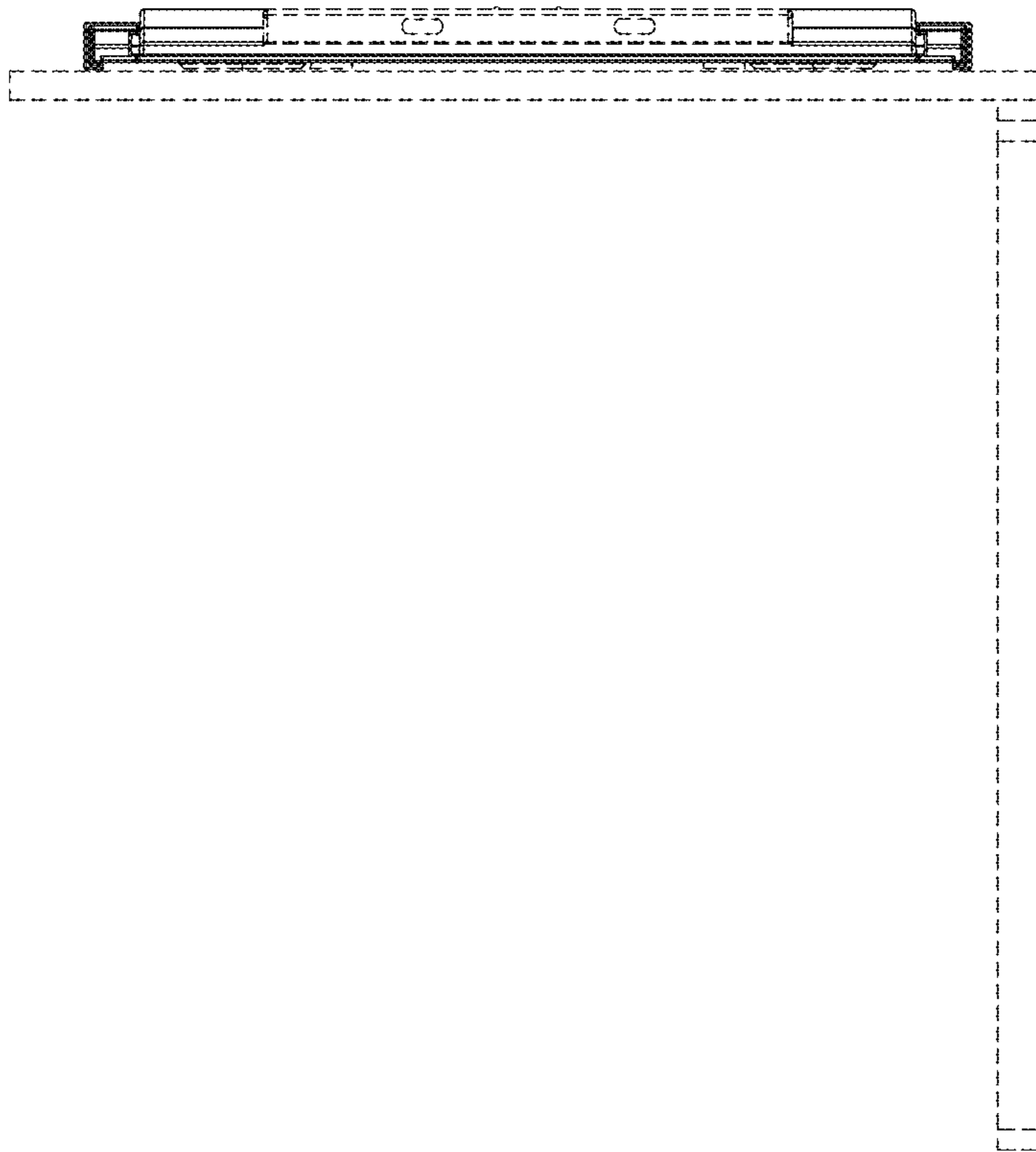


FIG. 48

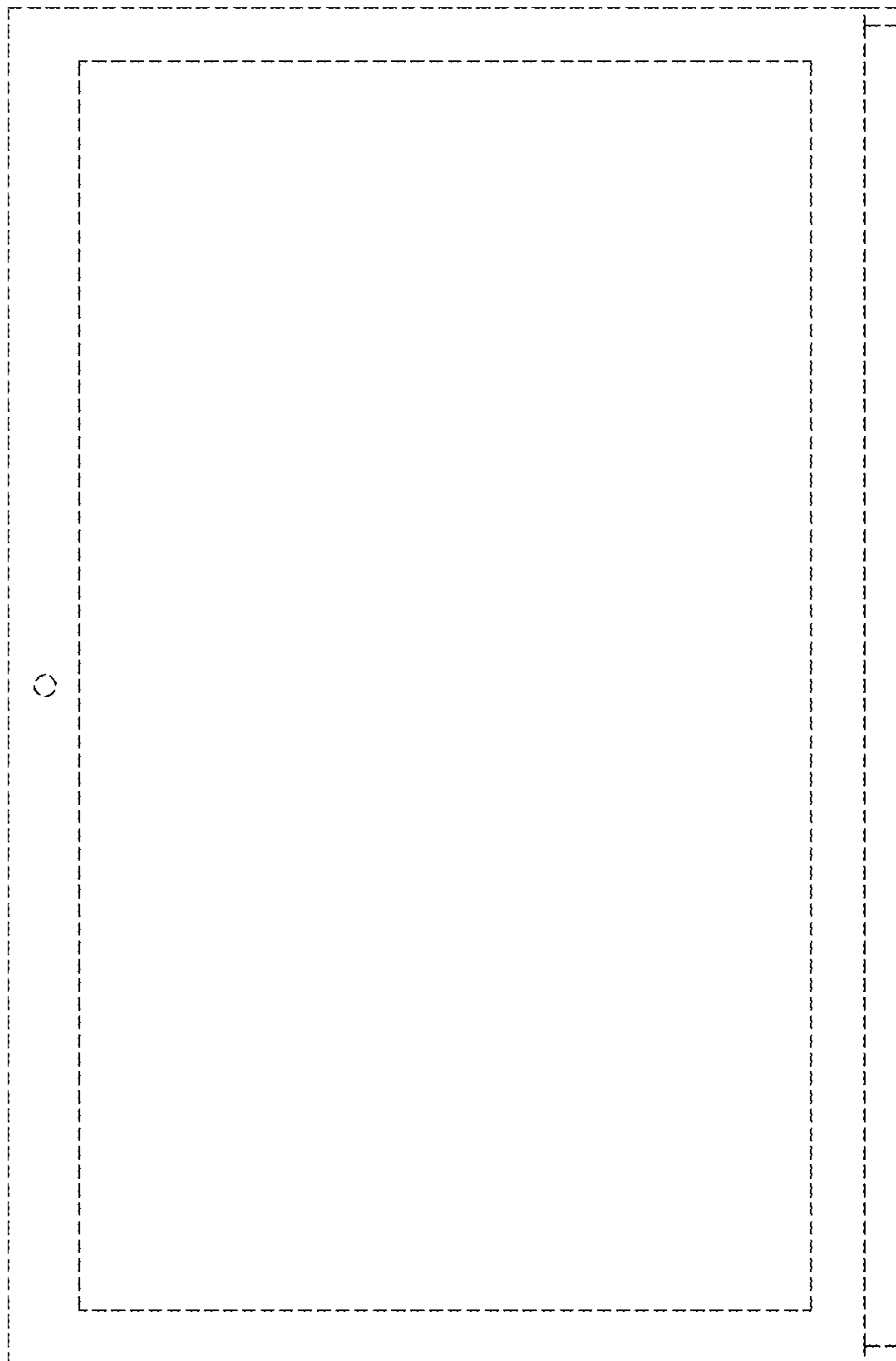


FIG. 49

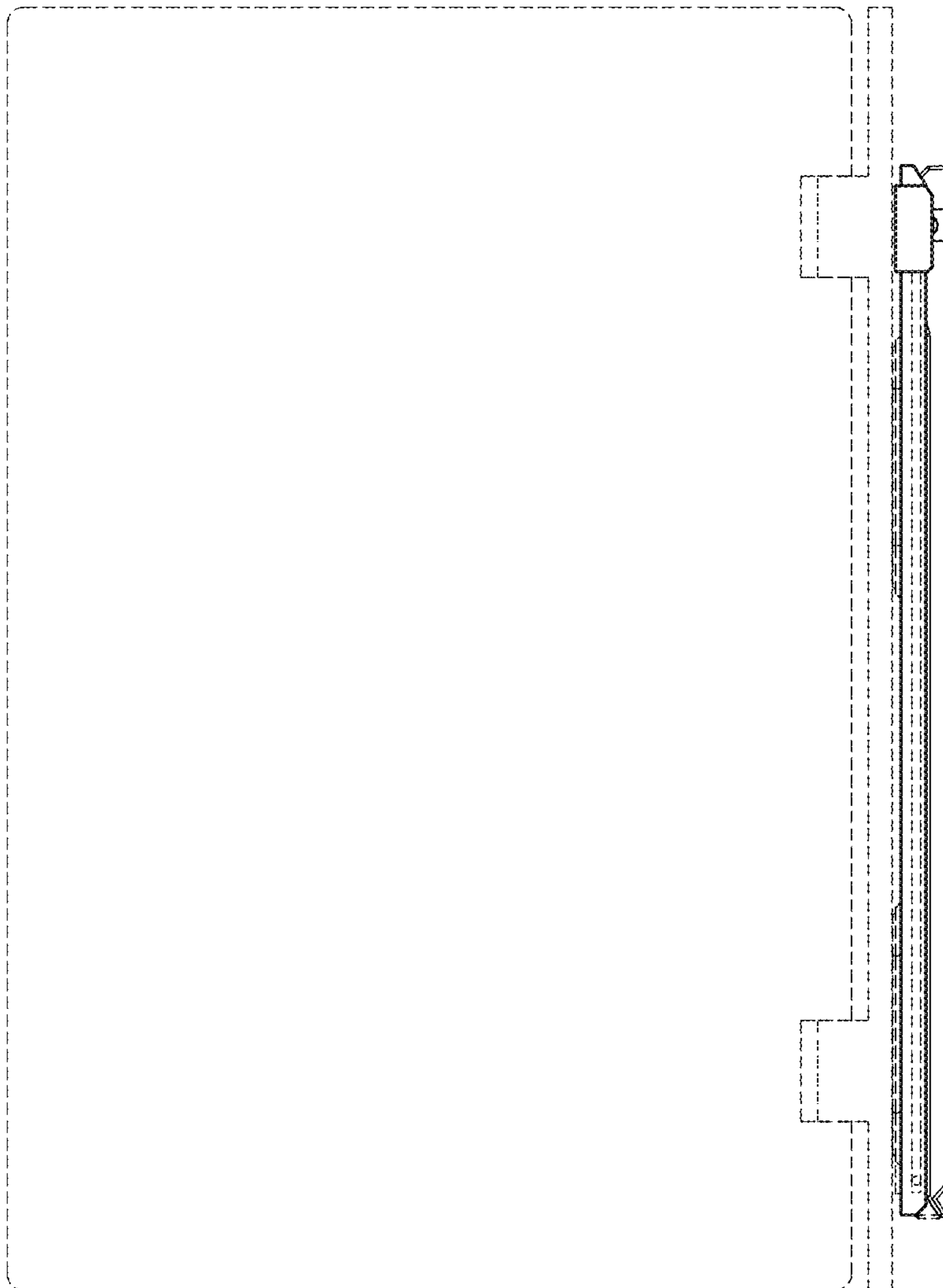


FIG. 50

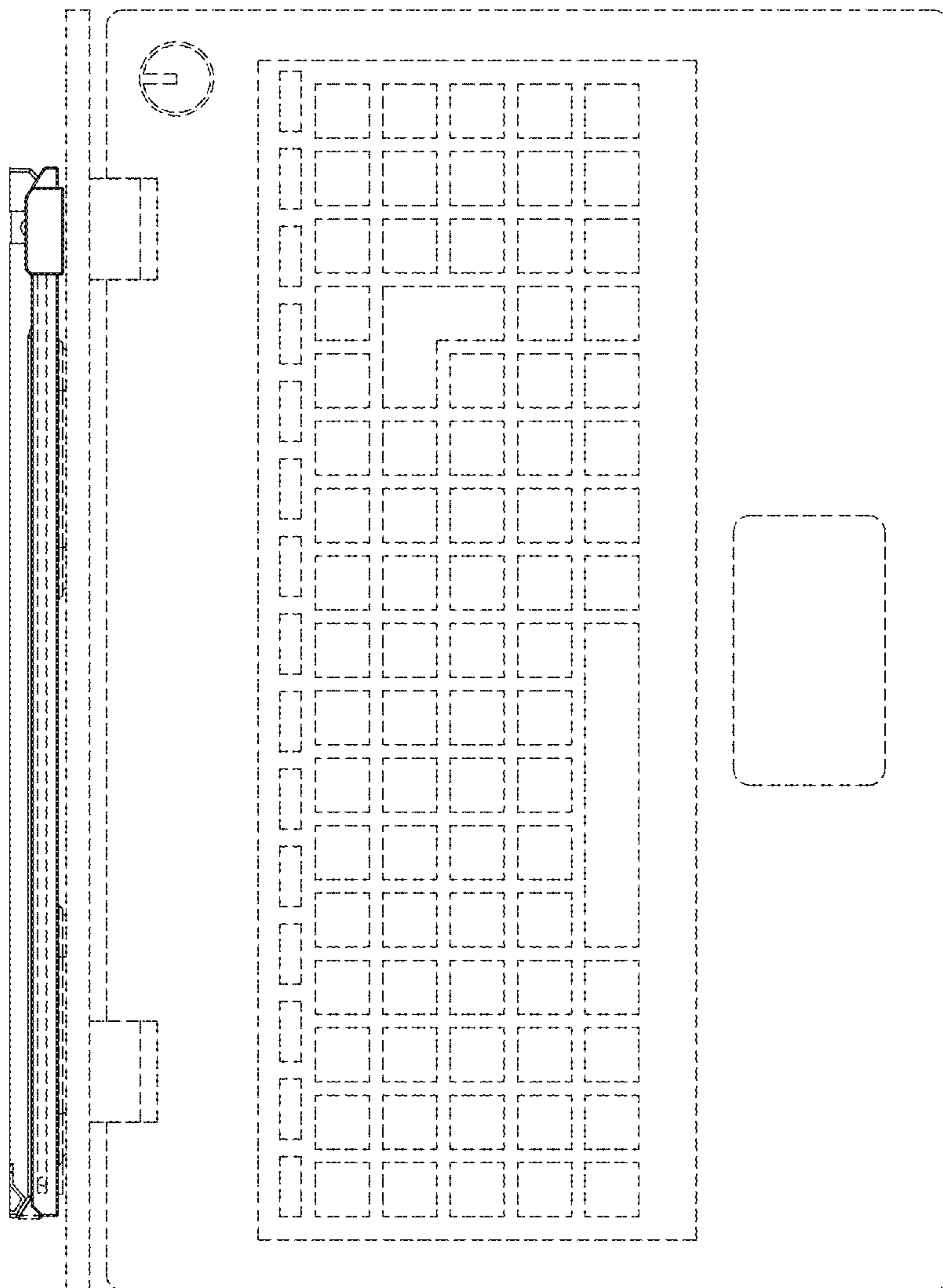


FIG. 51

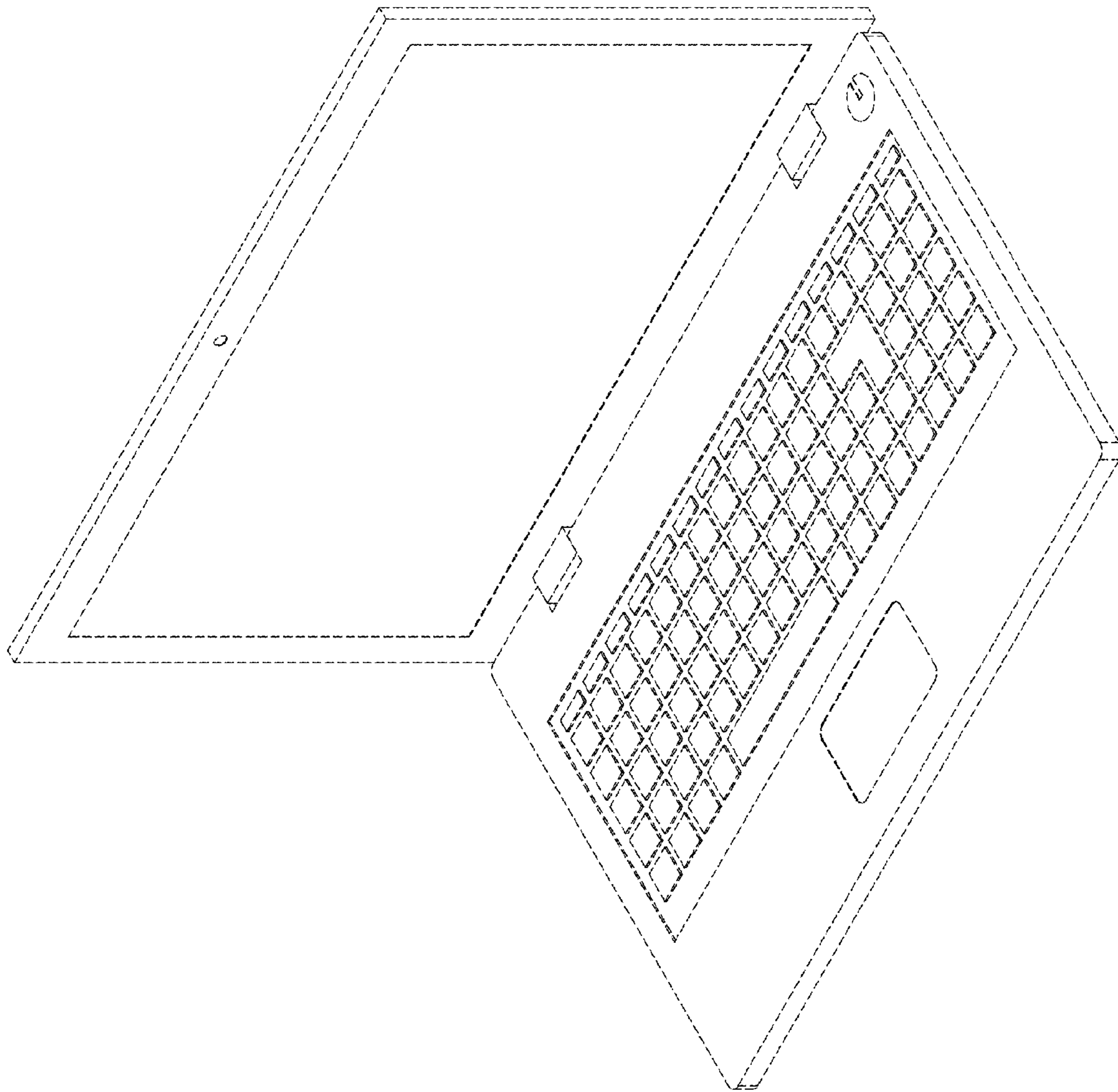


FIG. 52

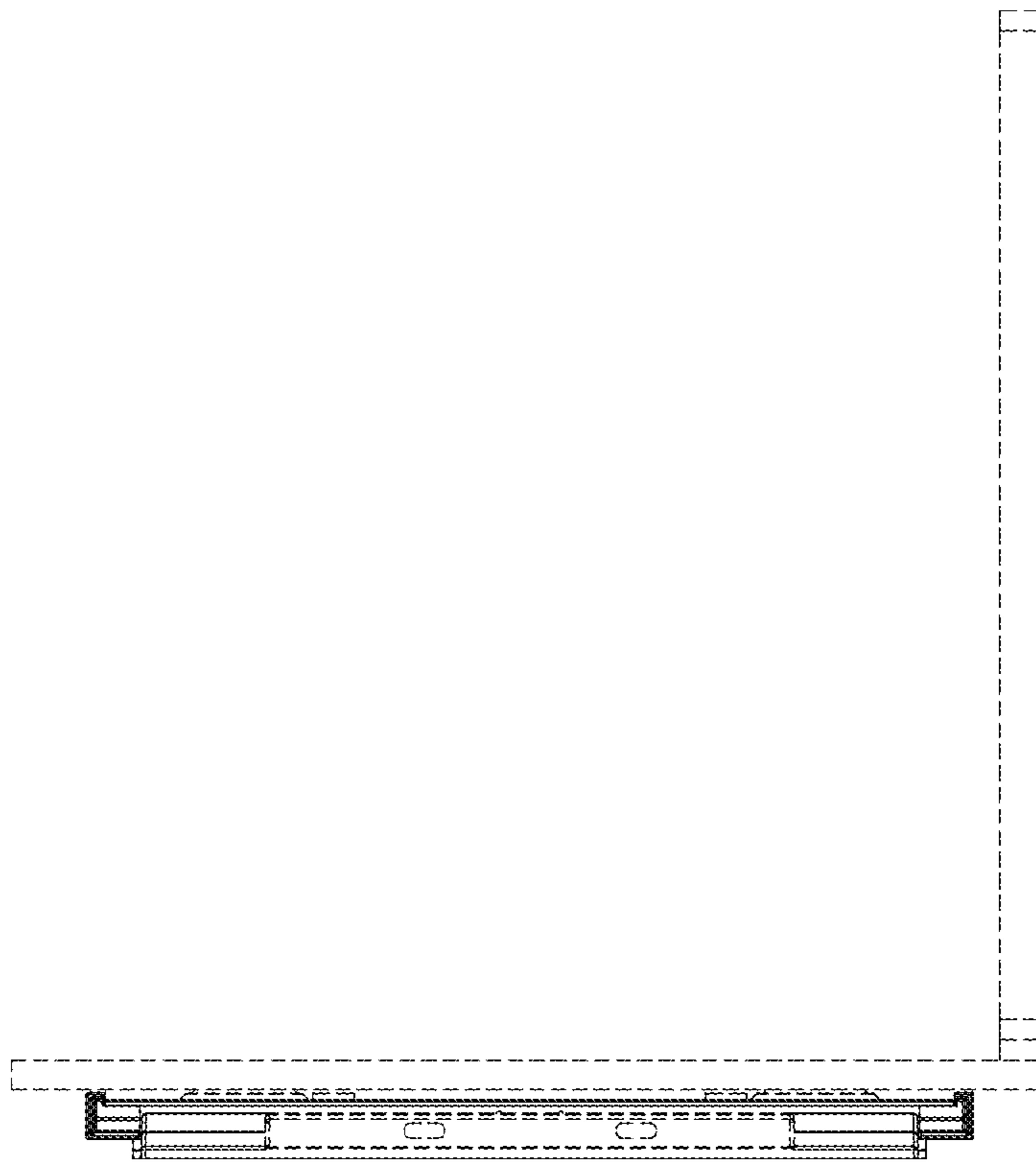


FIG. 53

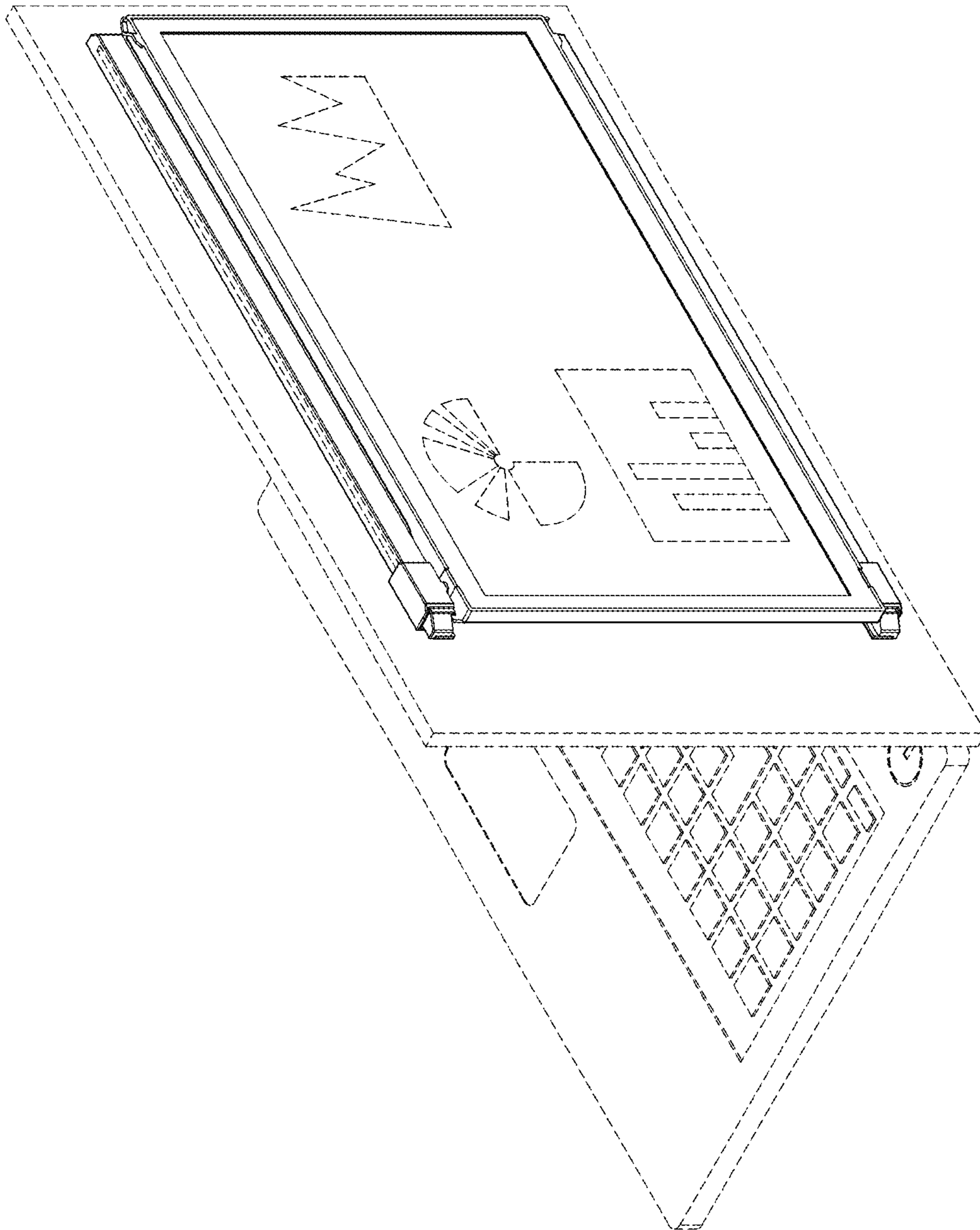


FIG. 54

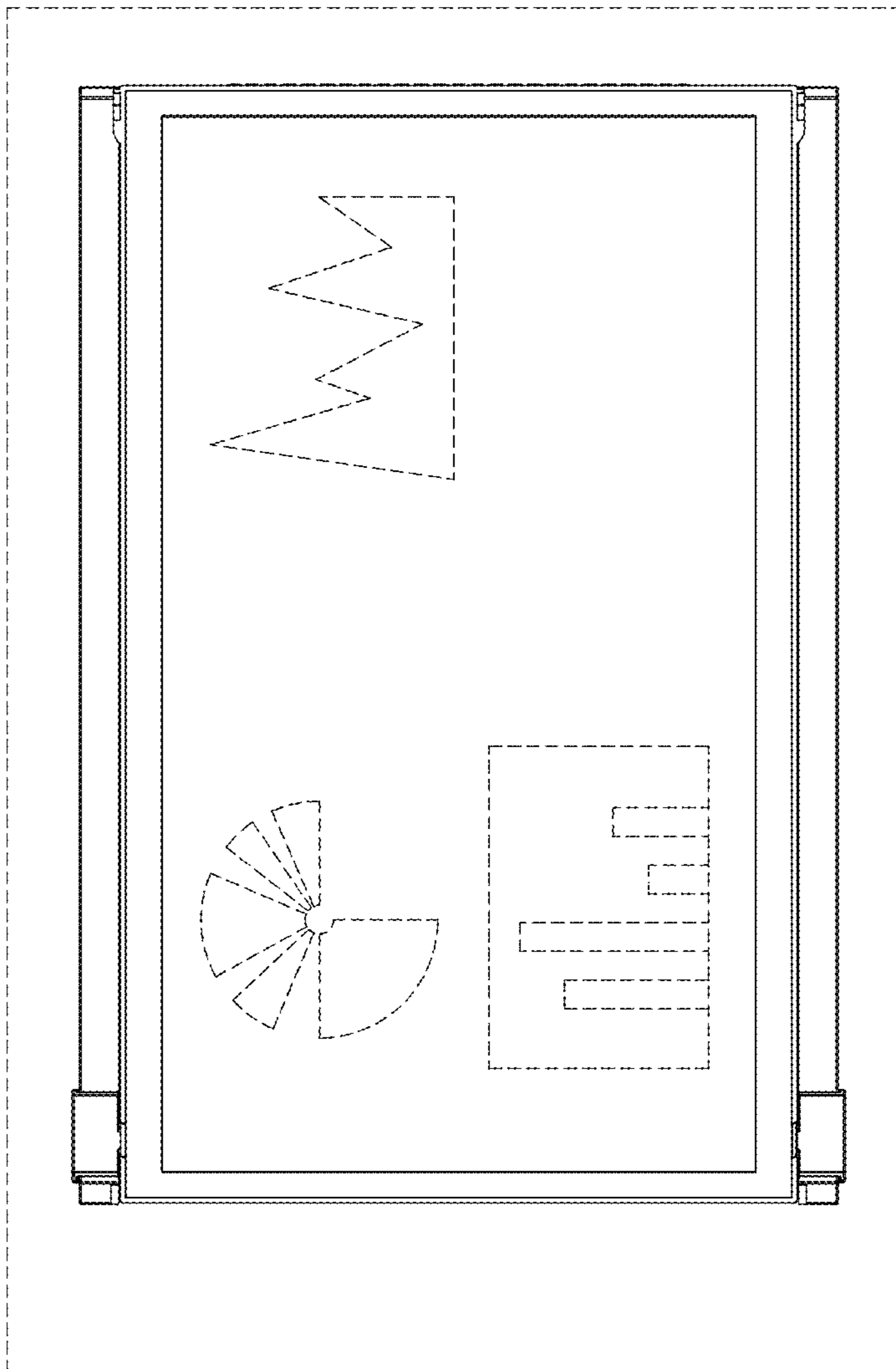


FIG. 55

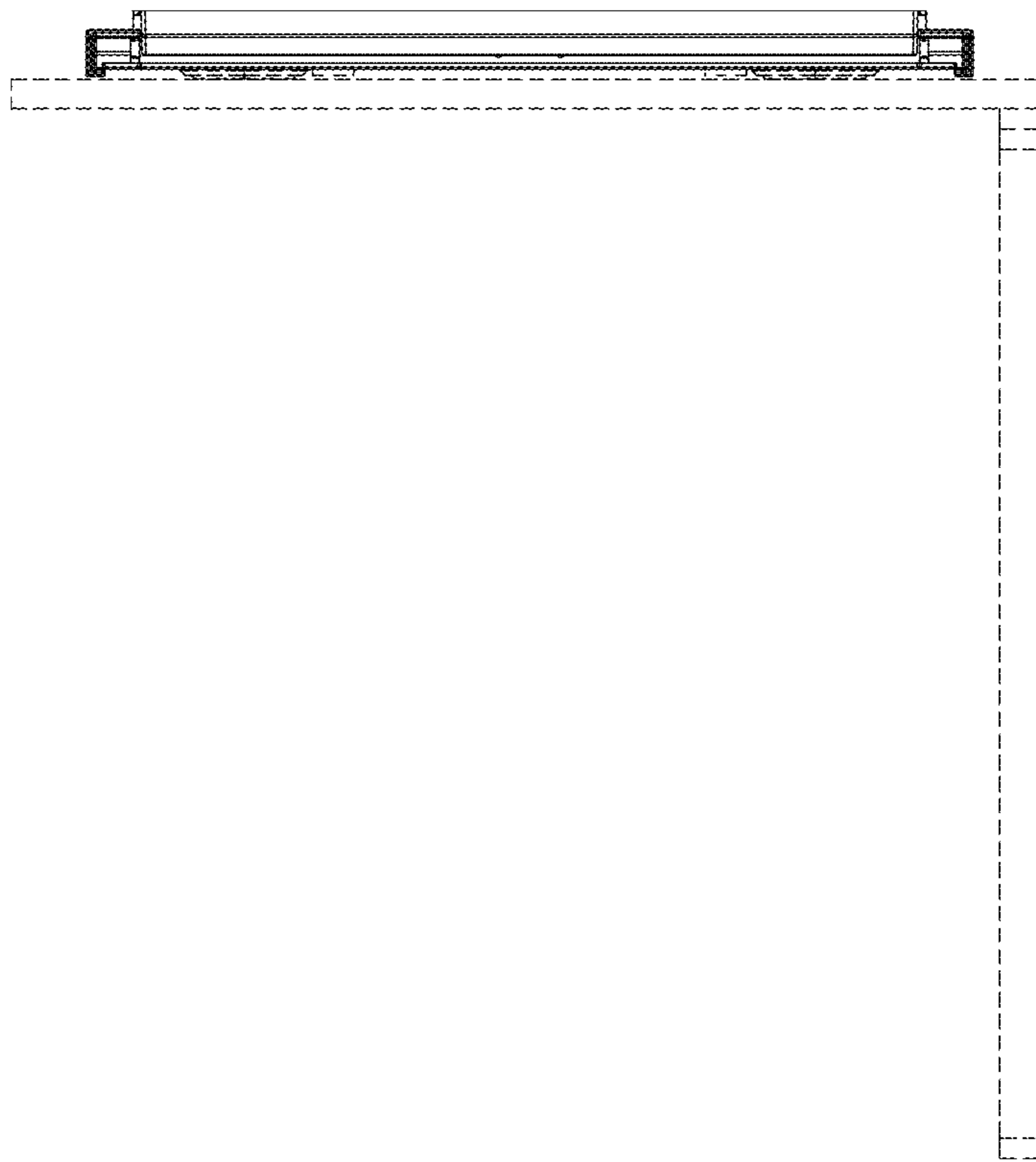


FIG. 56

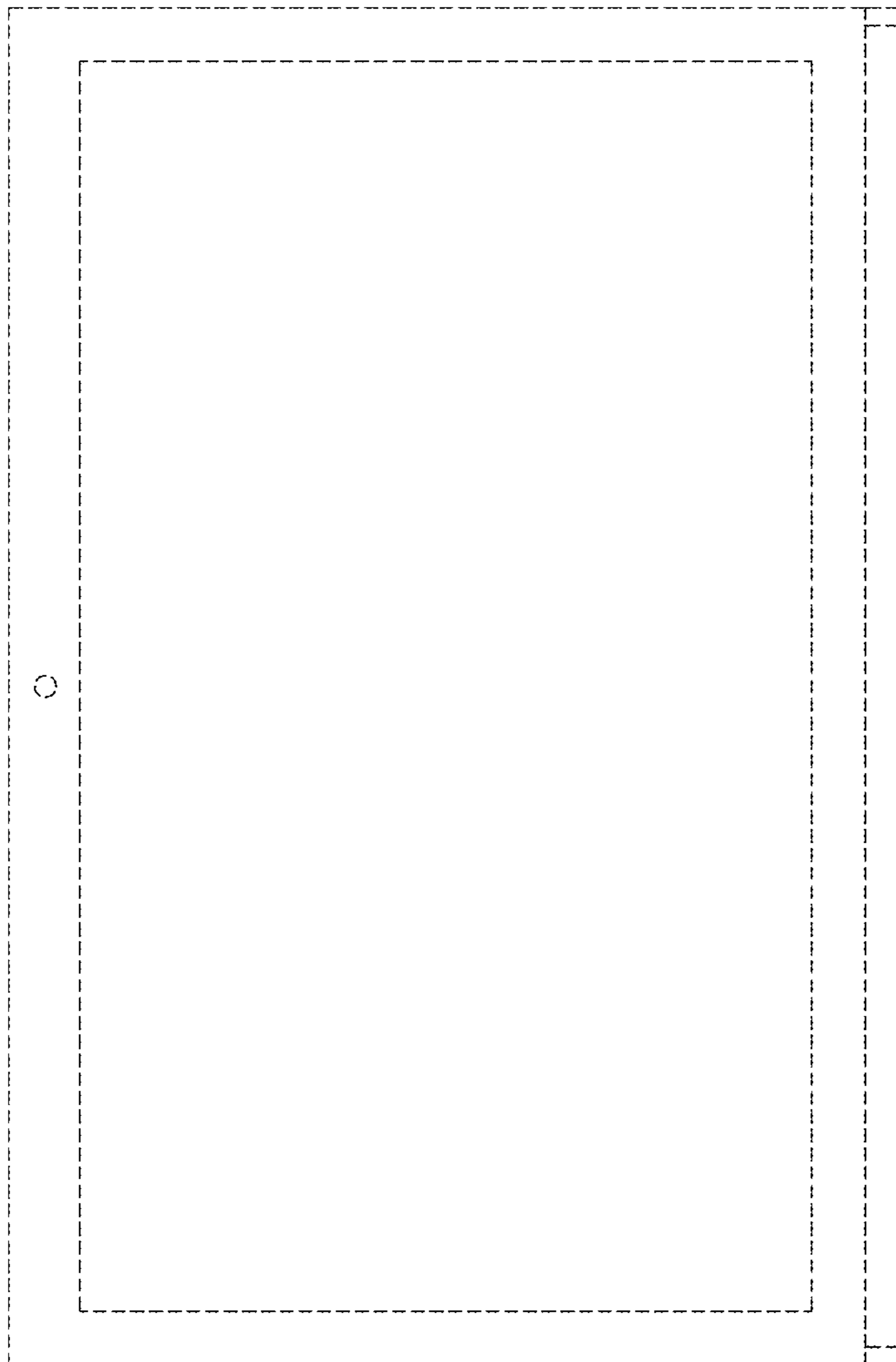


FIG. 57

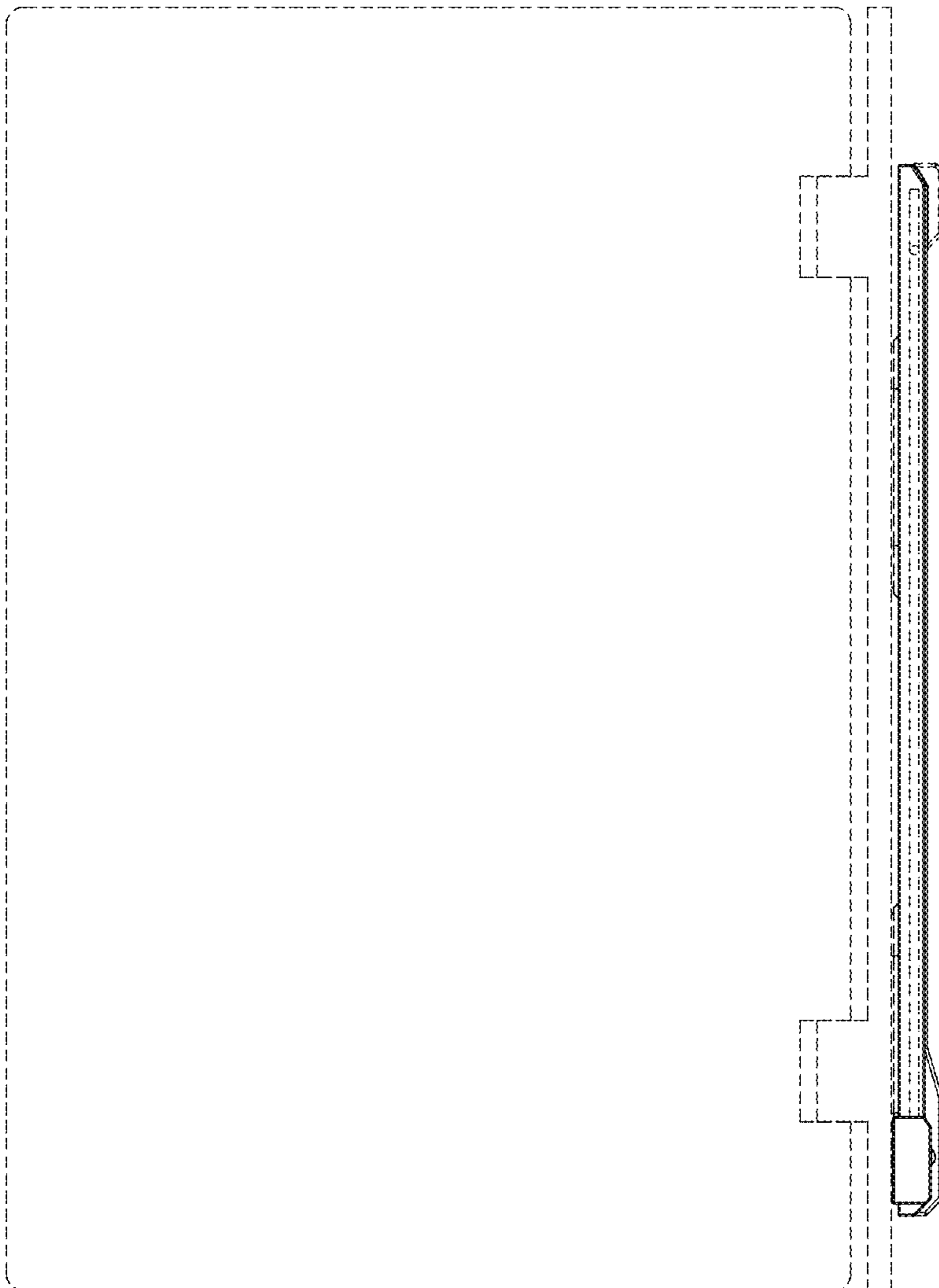


FIG. 58

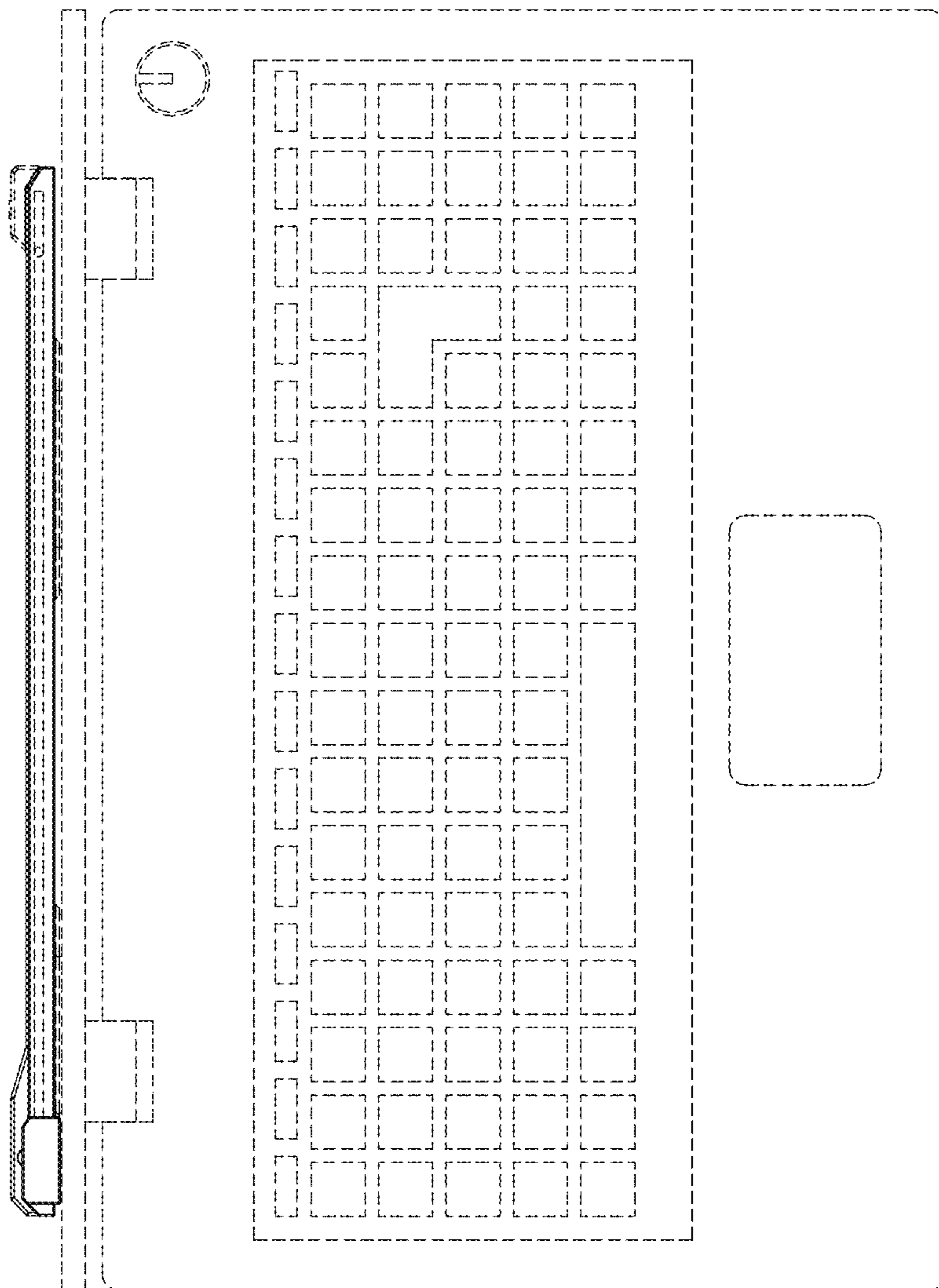


FIG. 59

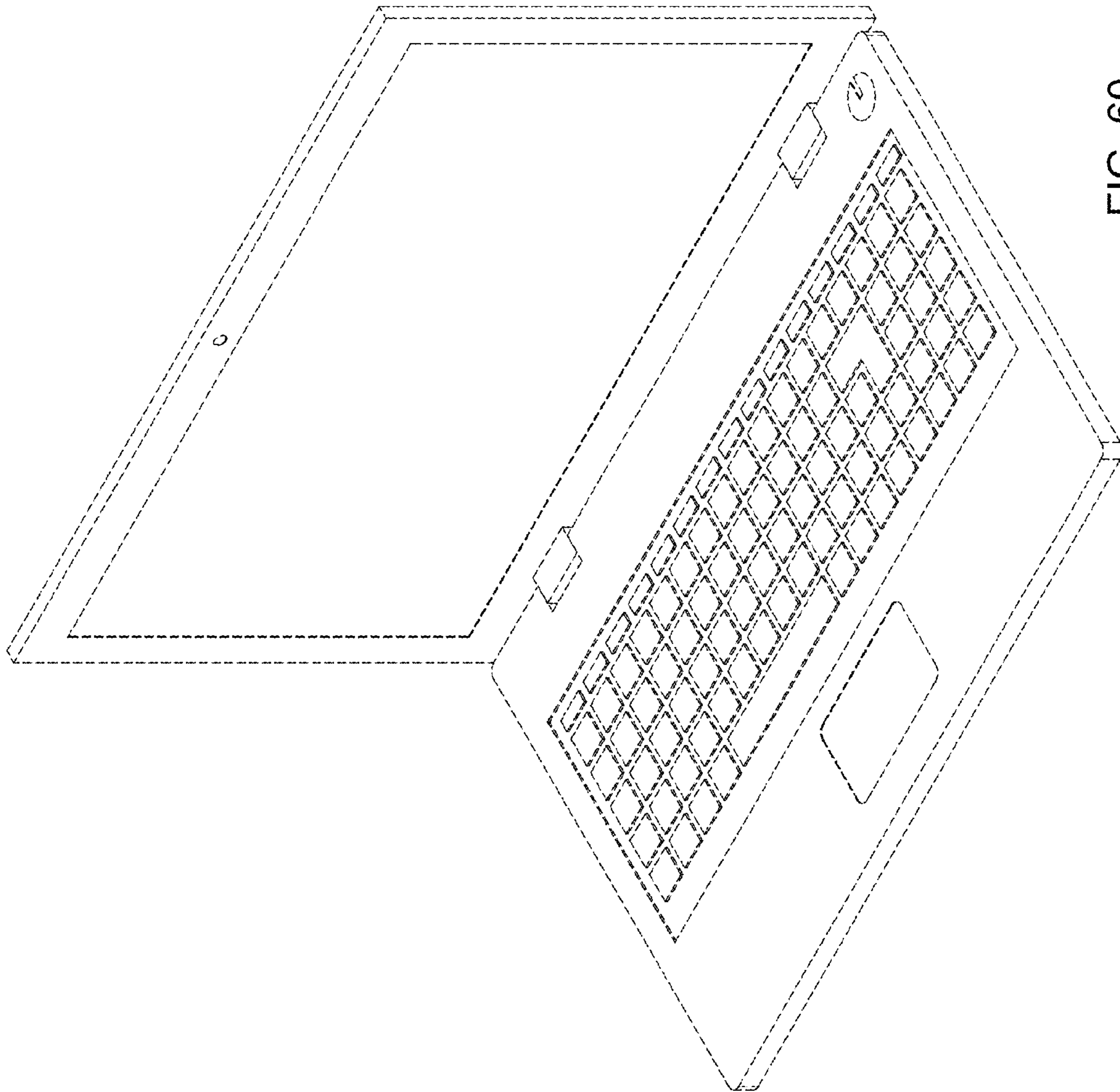


FIG. 60

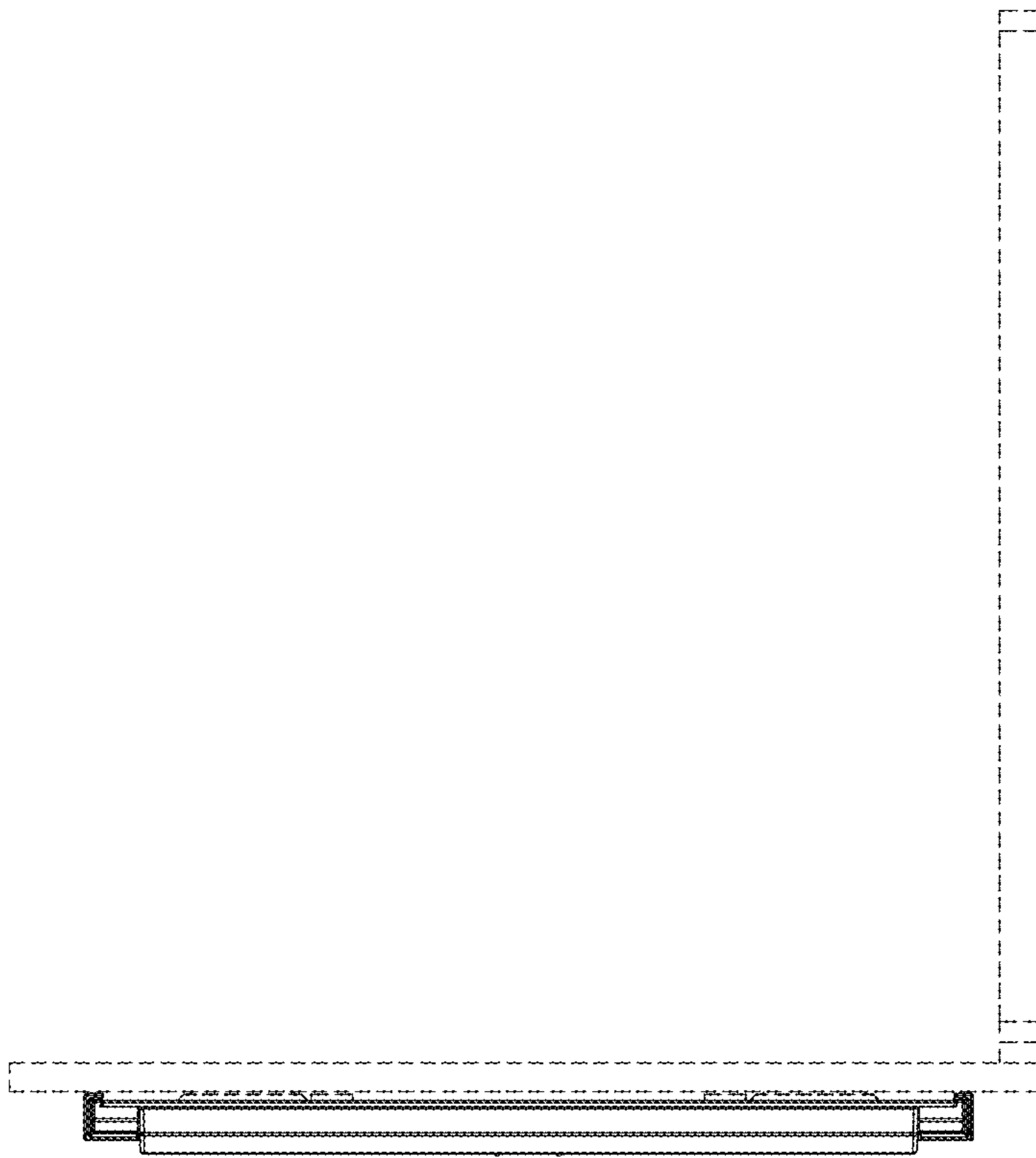


FIG. 61

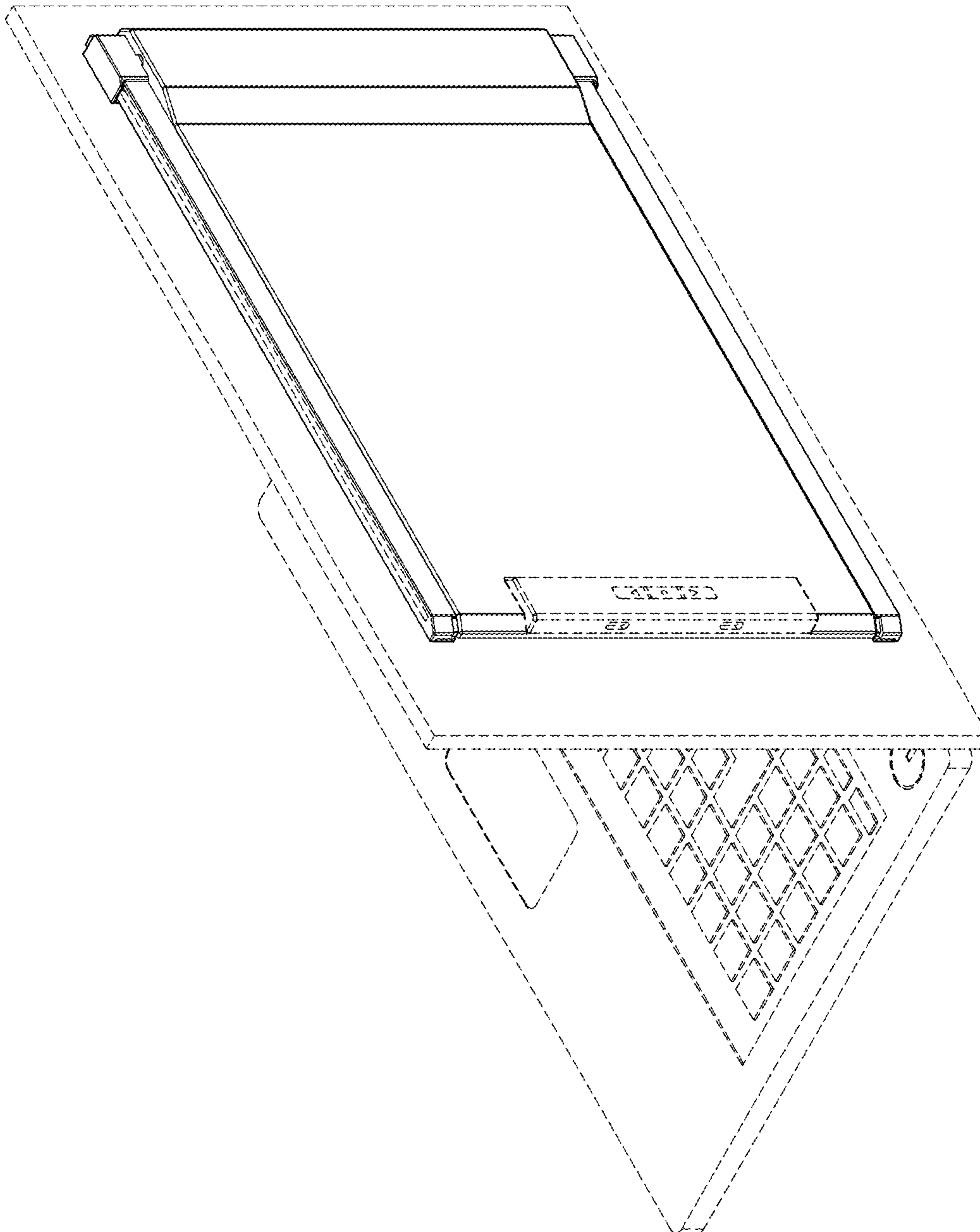


FIG. 62

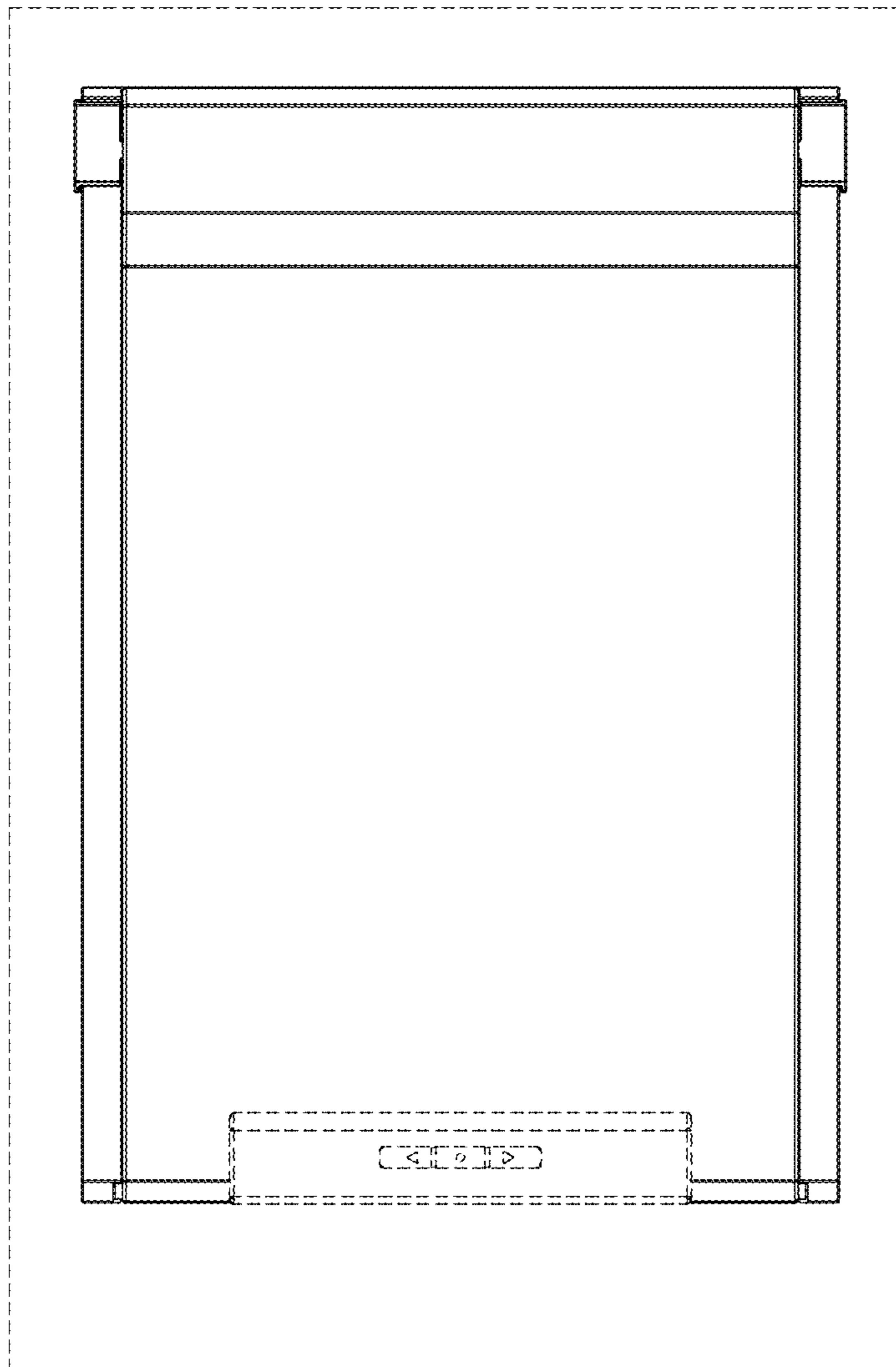


FIG. 63

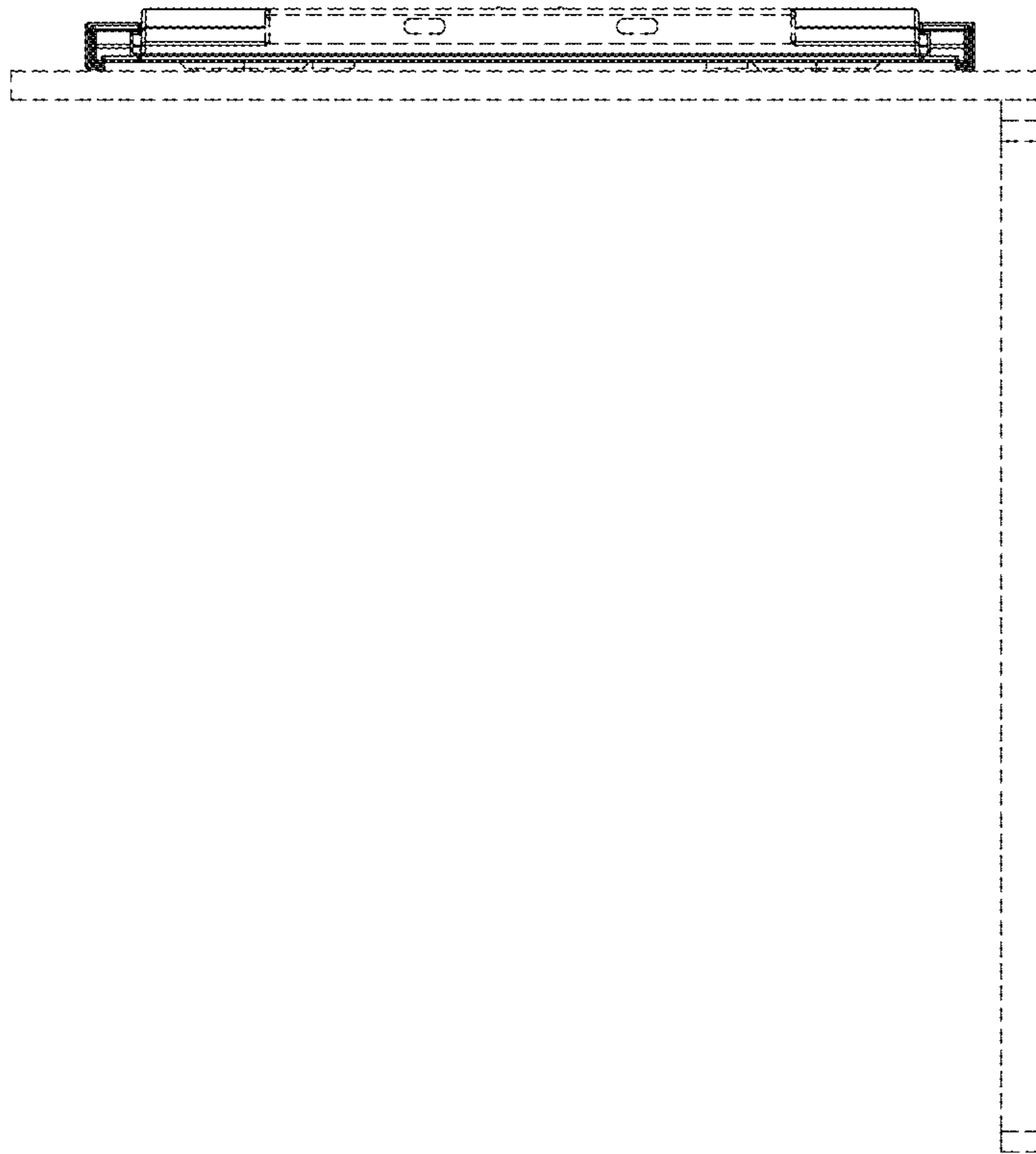


FIG. 64