



US00D973053S

(12) **United States Design Patent**
Wu

(10) **Patent No.:** **US D973,053 S**

(45) **Date of Patent:** **** Dec. 20, 2022**

(54) **VR HEADSET**

(71) Applicant: **SHENZHEN YIZE INNOVATION TECHNOLOGY CO., LTD.**, Shenzhen (CN)

(72) Inventor: **Jinhong Wu**, Shenzhen (CN)

(73) Assignee: **SHENZHEN YIZE INNOVATION TECHNOLOGY CO., LTD.**, Shenzhen (CN)

(**) Term: **15 Years**

(21) Appl. No.: **29/850,996**

(22) Filed: **Aug. 25, 2022**

(30) **Foreign Application Priority Data**

Mar. 30, 2022 (CN) 202230174405.2

(51) **LOC (13) Cl.** **14-02**

(52) **U.S. Cl.**
USPC **D14/372**

(58) **Field of Classification Search**
USPC D14/372, 496, 432, 371, 125, 126, 129, D14/299; D16/300-342; 351/158, 153, 351/144; 345/7-9, 905; 455/344; 348/115, 53, 121, 739
CPC G02B 27/017; G02B 27/0158; G02B 27/0161; G02B 27/0181; G02B 27/0185; G02B 27/0189

See application file for complete search history.

(56) **References Cited**

U.S. PATENT DOCUMENTS

D758,367 S * 6/2016 Natsume D14/372
D785,619 S * 5/2017 Su D14/372

D791,126 S * 7/2017 Sullivan D14/372
D800,117 S * 10/2017 Yee D14/372
D819,636 S * 6/2018 Chen et al.
D827,642 S * 9/2018 Liu D14/372
D839,269 S * 1/2019 Wang D14/372
D889,464 S * 7/2020 Wang D14/372
D898,025 S * 10/2020 Bhat D14/372
D918,904 S * 5/2021 Jackson D14/372
D928,151 S * 8/2021 Hu D14/372
D955,387 S * 6/2022 Zhu
D957,391 S * 7/2022 Roig D14/372
D959,427 S * 8/2022 Zhu D14/372
D963,642 S * 9/2022 Zhu D14/372

* cited by examiner

Primary Examiner — Austin Murphy

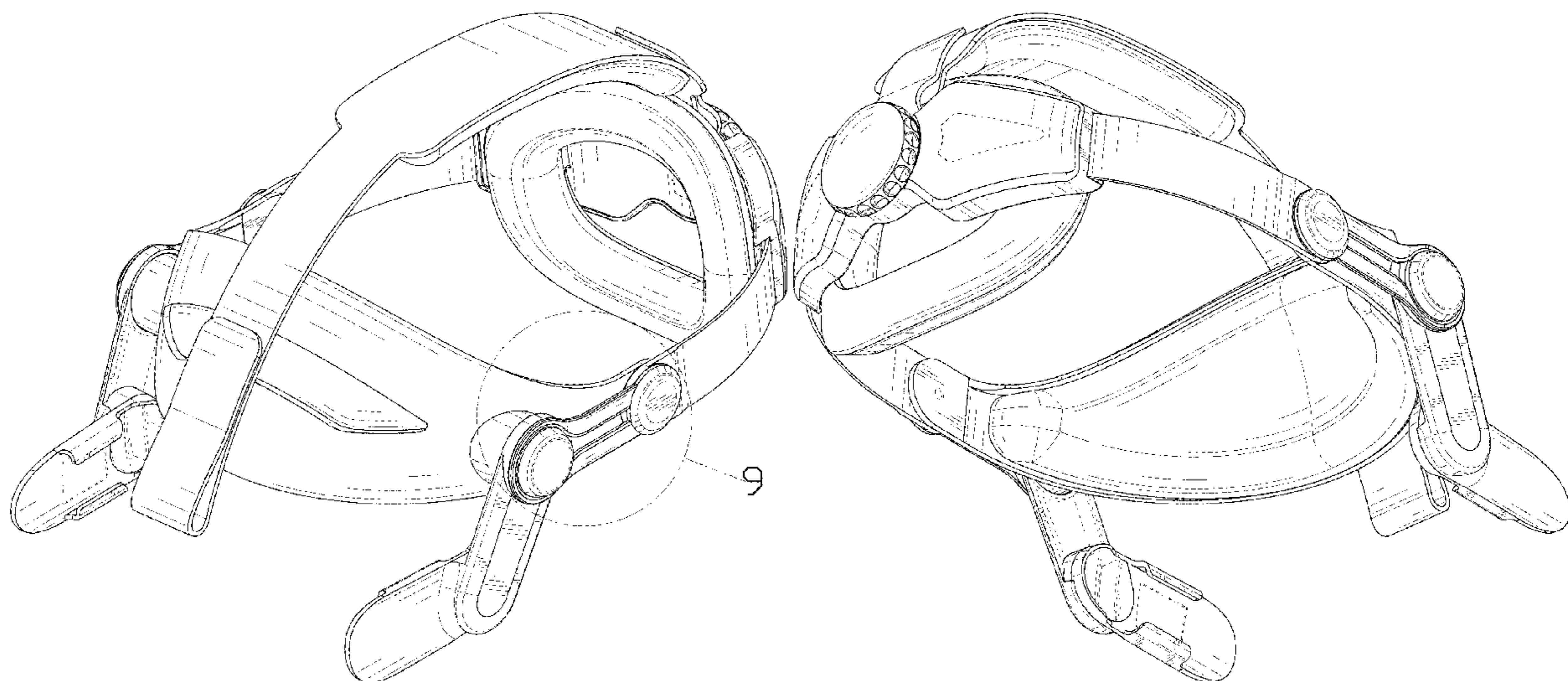
(57) **CLAIM**

The ornamental design for an VR headset, as shown and described.

DESCRIPTION

FIG. 1 is a perspective view of an VR headset showing my new design;
FIG. 2 is another perspective view thereof;
FIG. 3 is a front elevational view thereof;
FIG. 4 is a rear elevational view thereof;
FIG. 5 is a left side elevational view thereof;
FIG. 6 is a right side elevational view thereof;
FIG. 7 is a top plan view thereof;
FIG. 8 is a bottom plan view thereof; and,
FIG. 9 is an enlarged view of portion 9 shown in FIG. 1.
The dash-dash broken lines in the drawings depict portions of the VR headset that form no part of the claimed design. The dot-dash broken lines represent boundaries of the enlarged portion and form no part of the claimed design.

1 Claim, 9 Drawing Sheets



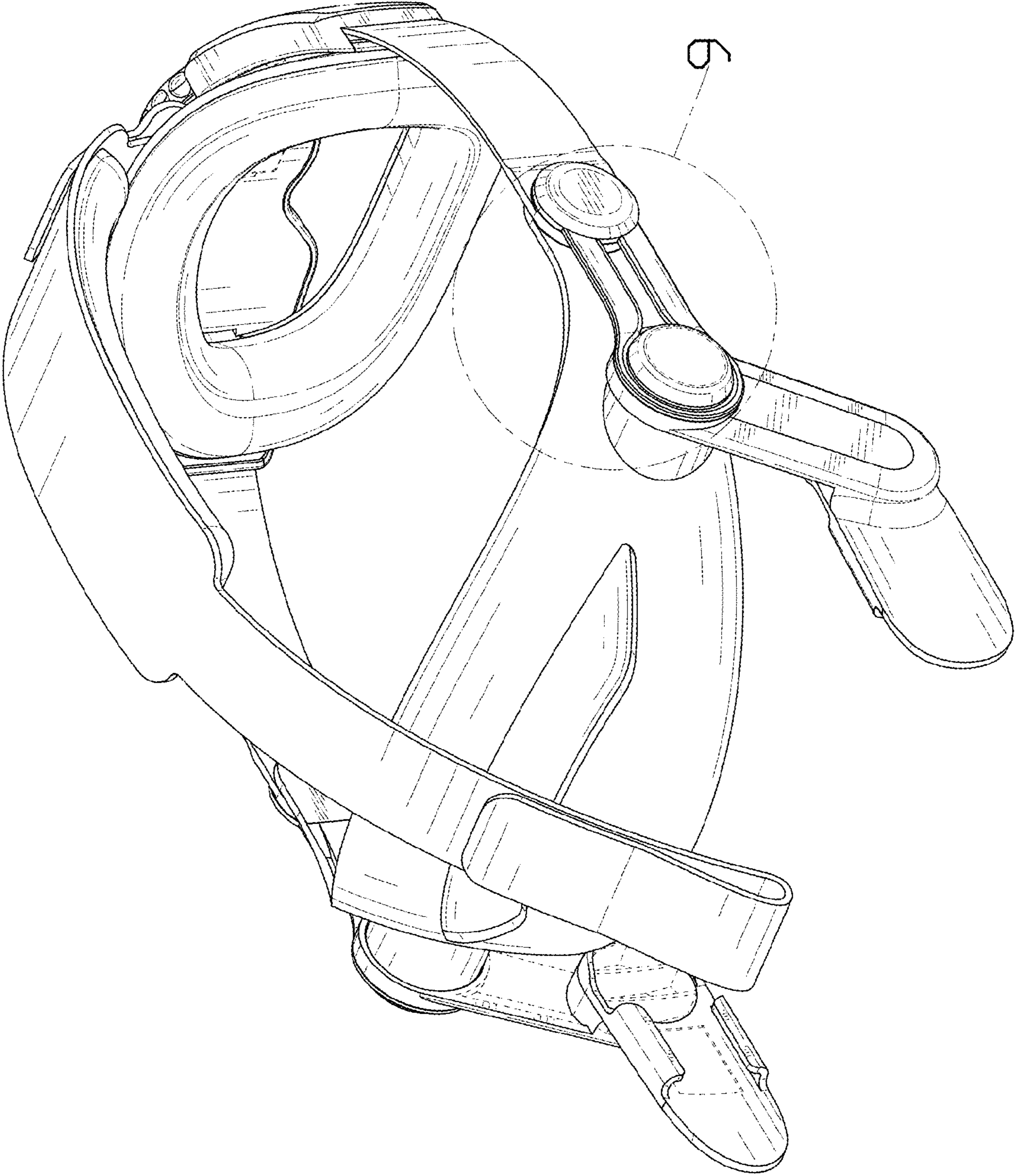


FIG. 1

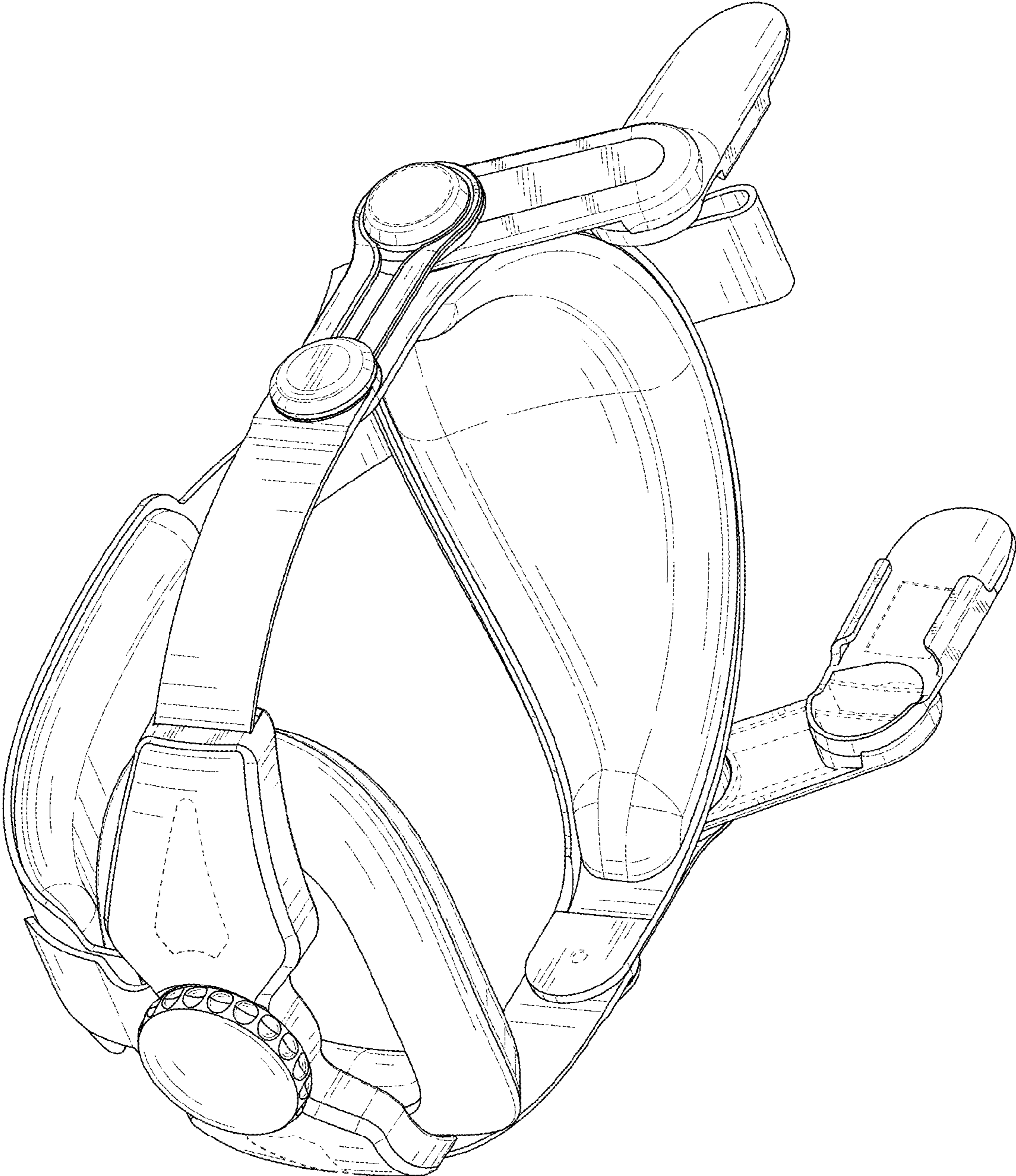


FIG. 2

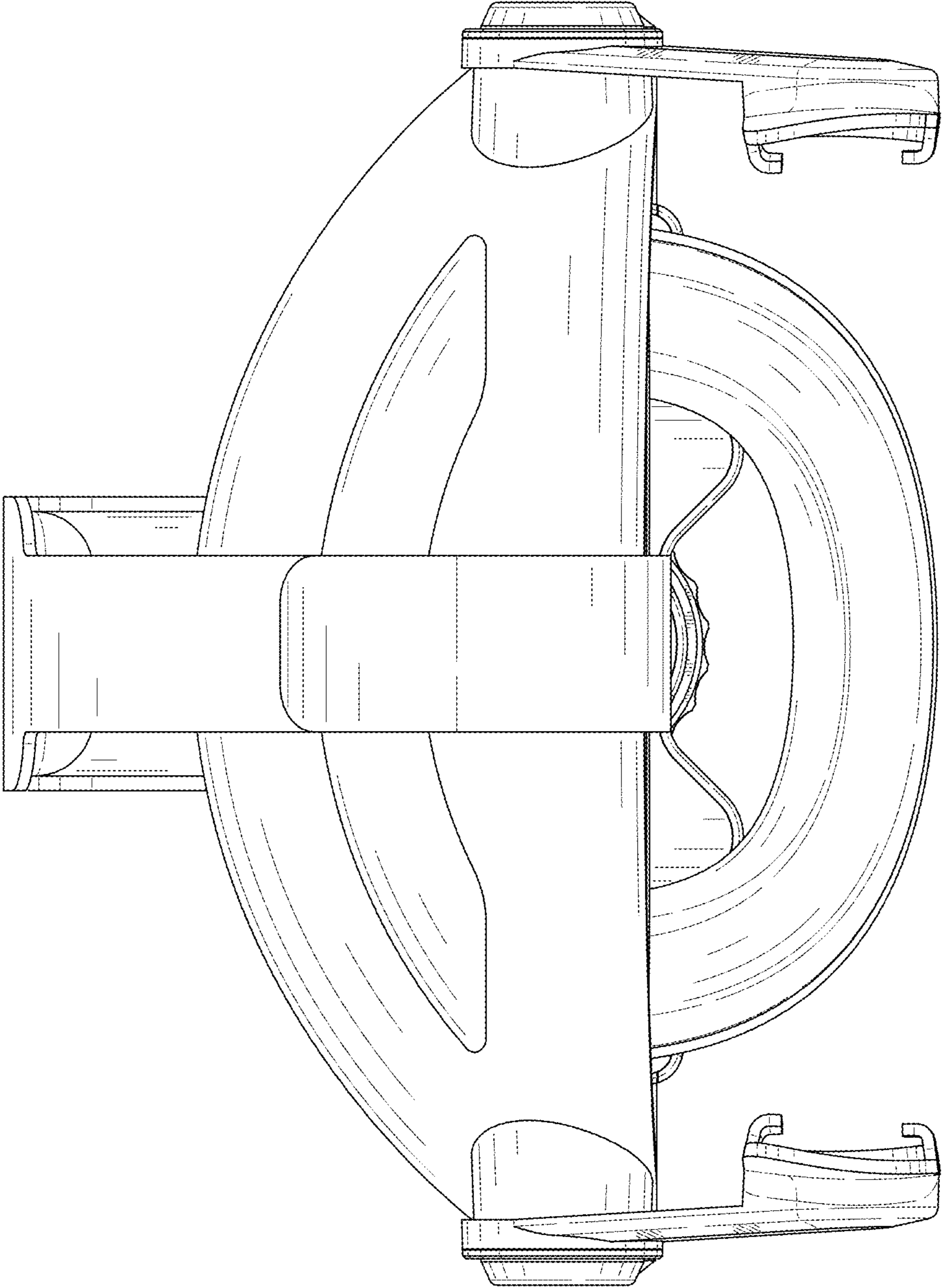


FIG. 3

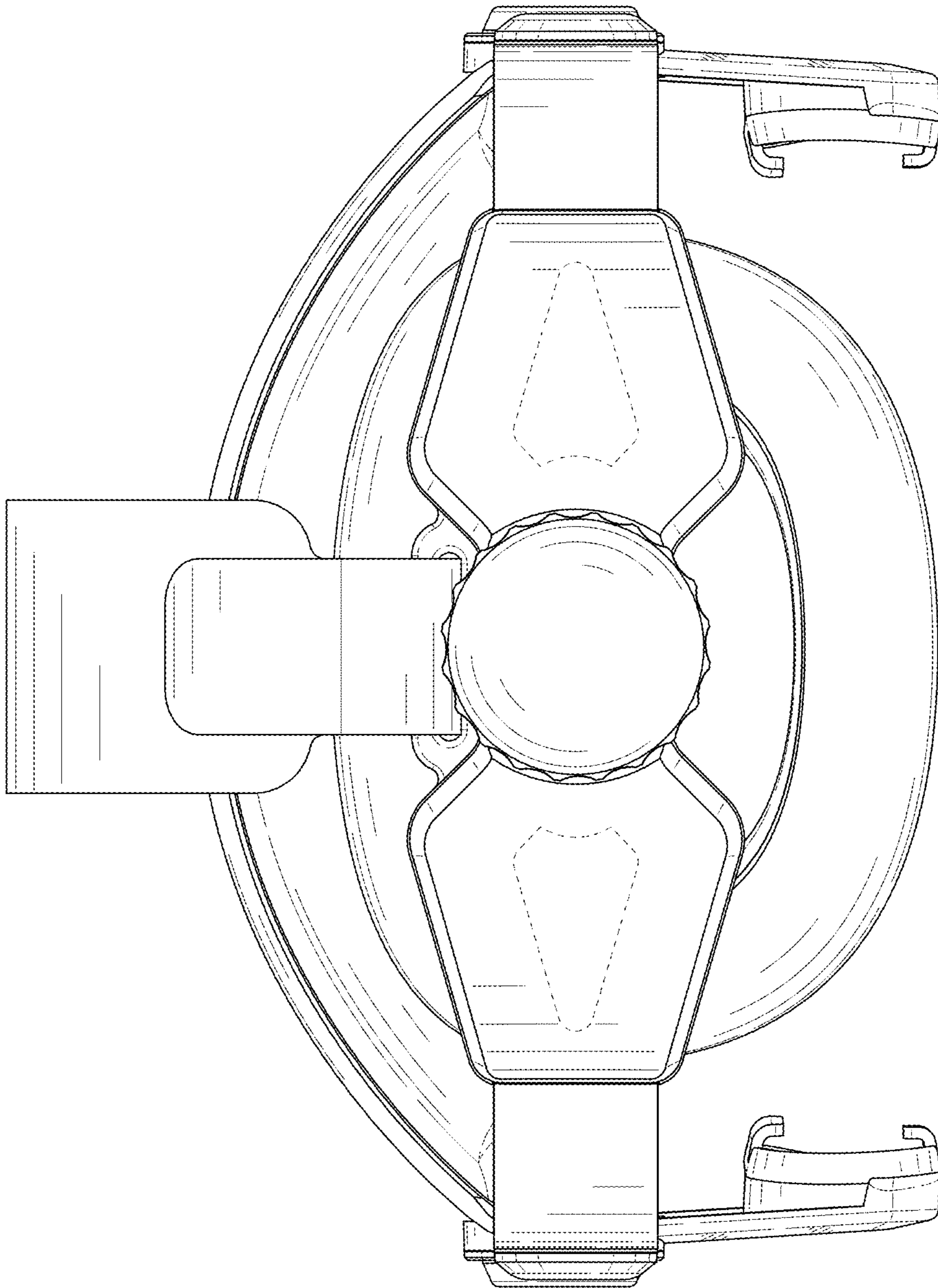


FIG. 4

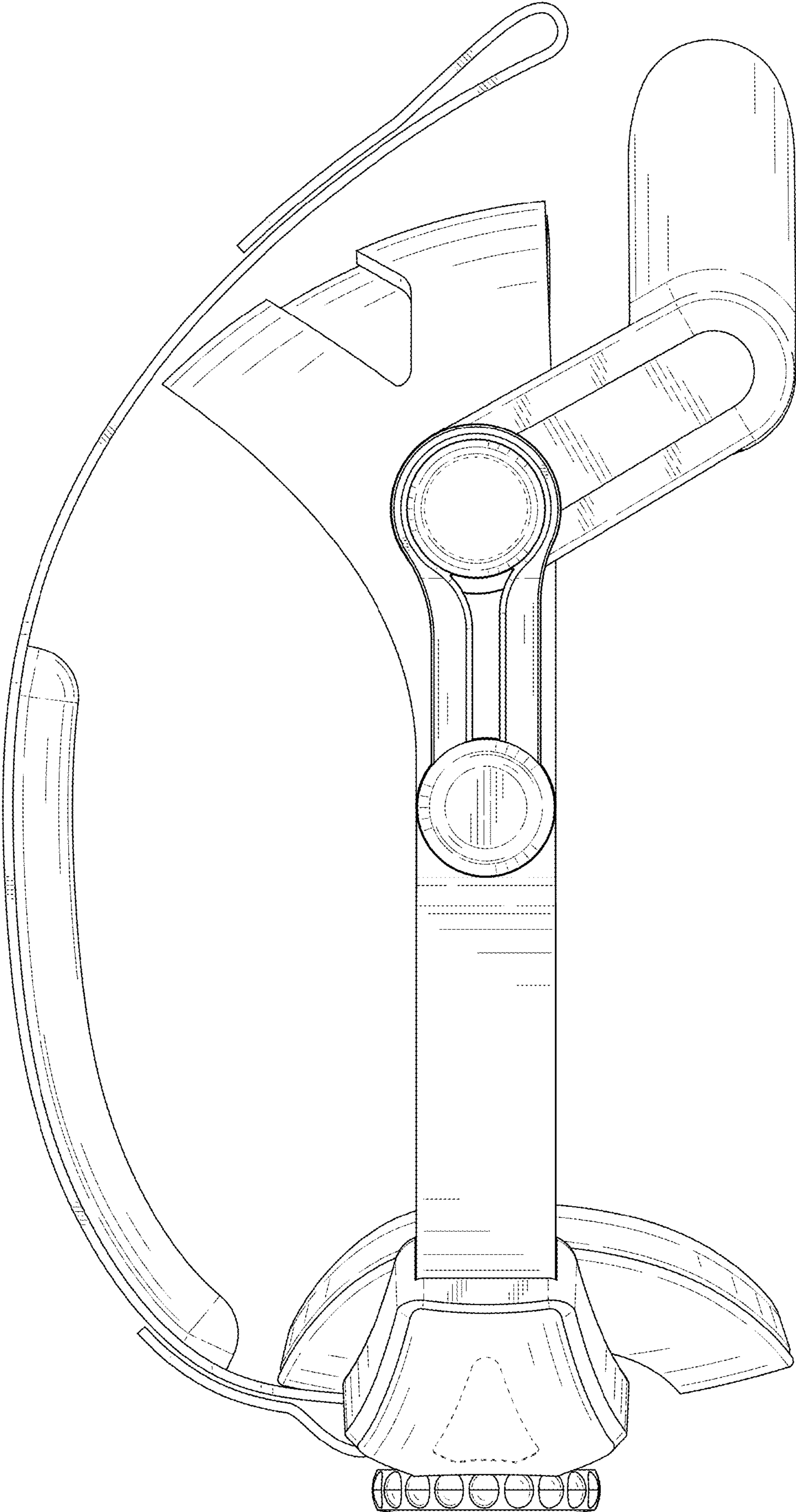


FIG. 5

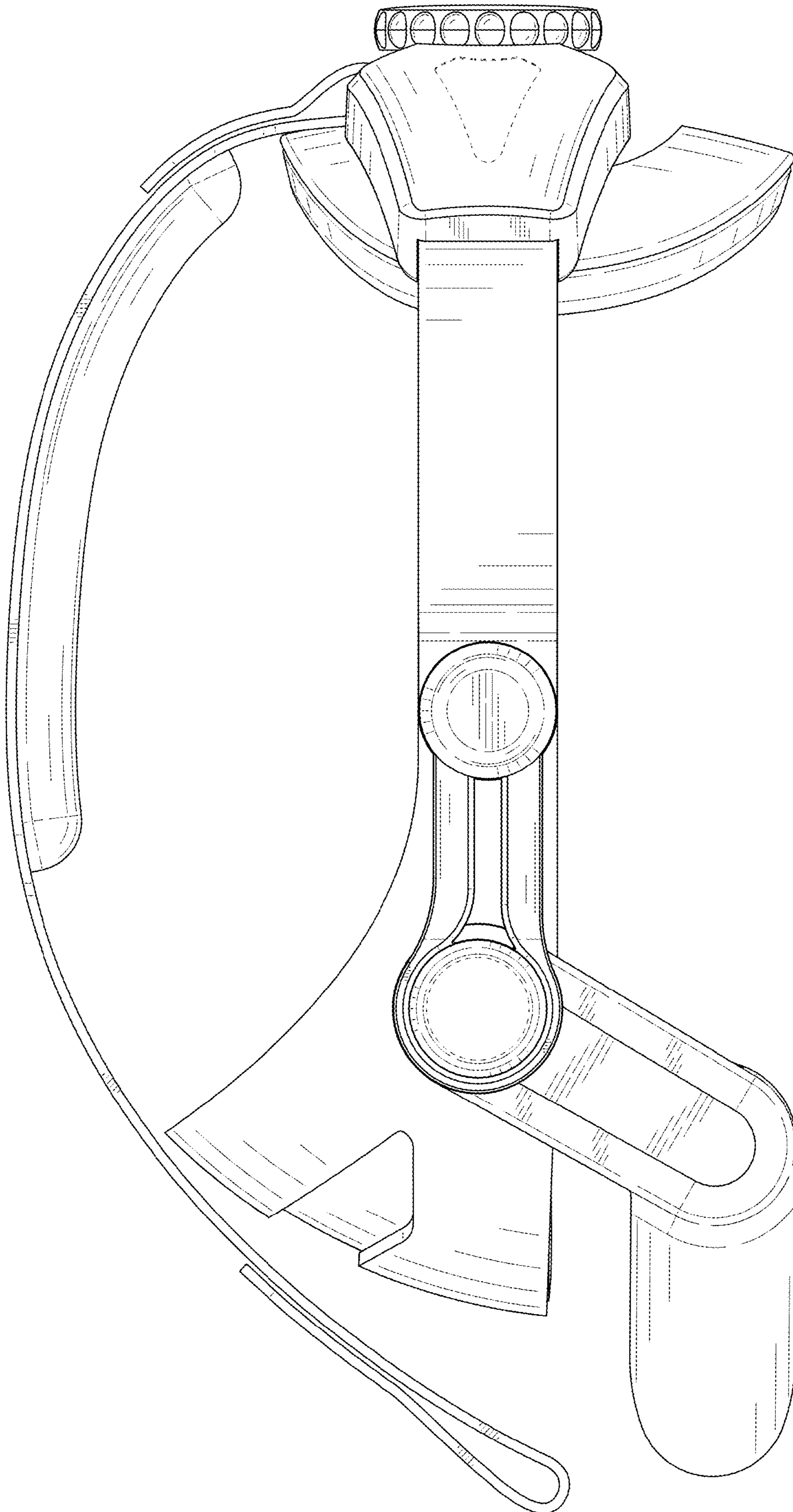


FIG. 6

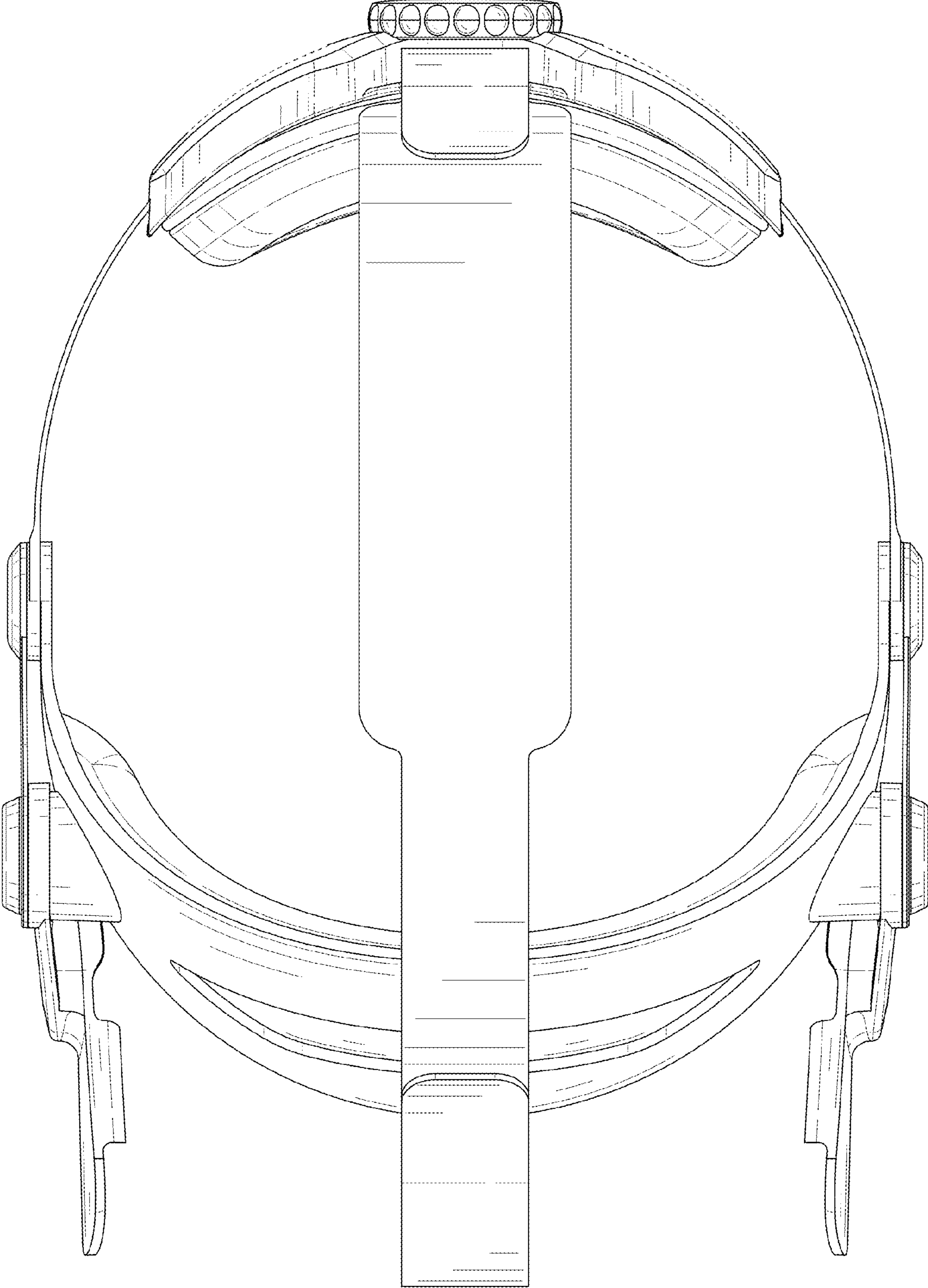


FIG. 7

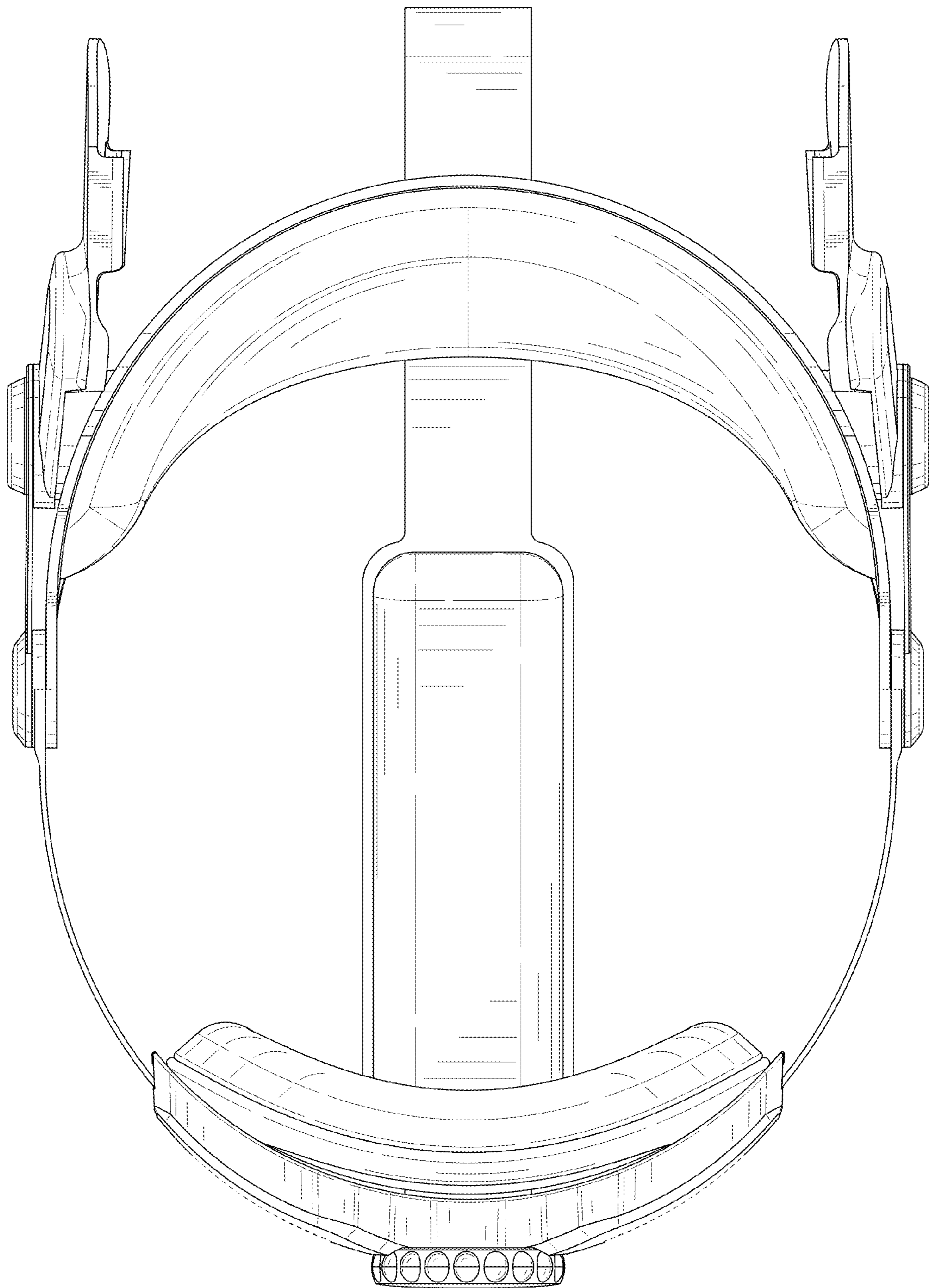


FIG. 8

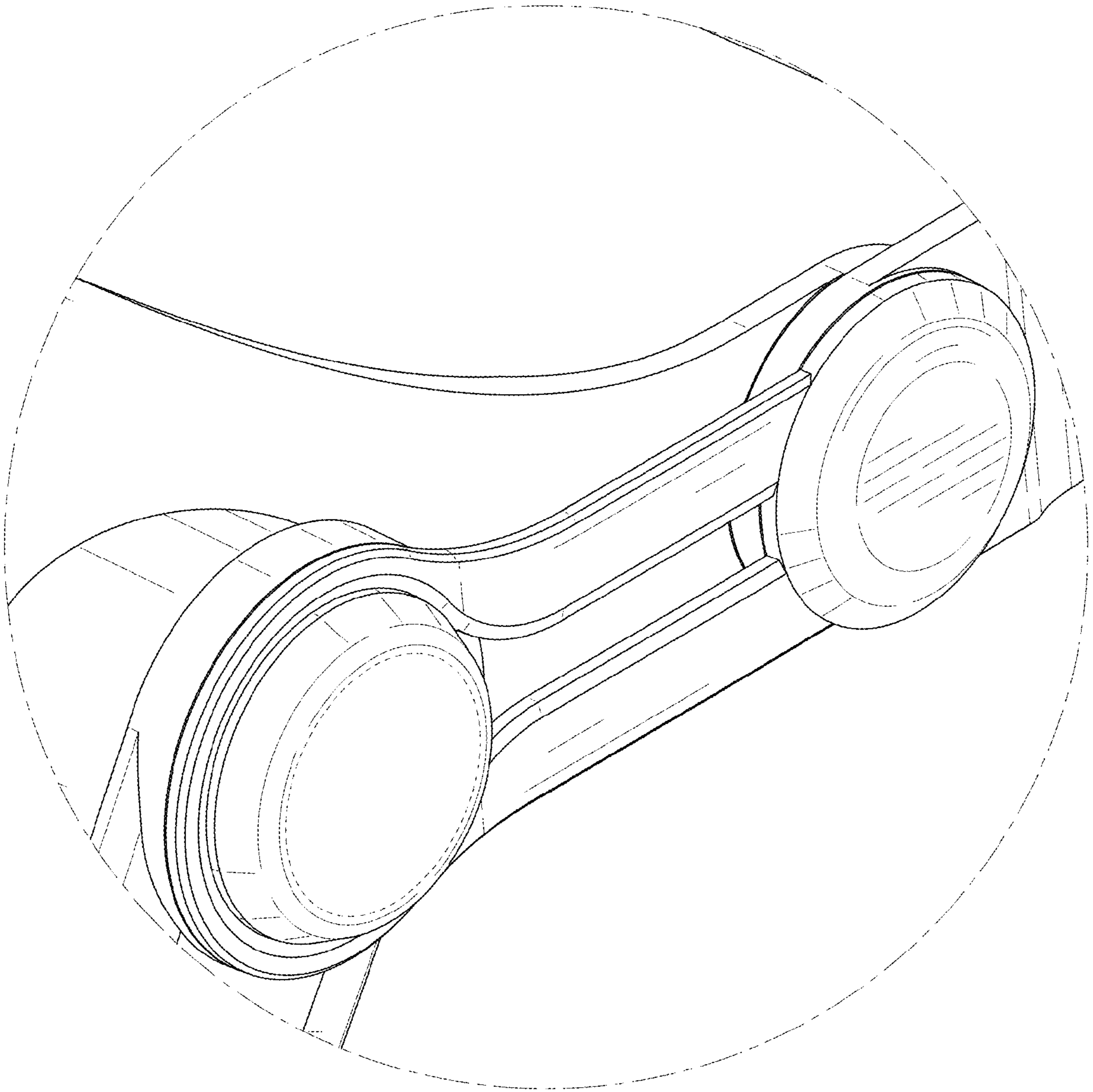


FIG. 9