



US00D973052S

(12) **United States Design Patent**  
**Chen**

(10) **Patent No.:** **US D973,052 S**

(45) **Date of Patent:** **\*\* Dec. 20, 2022**

(54) **ATTACHMENT FOR TABLET COMPUTER**

(71) Applicant: **Fanuc Corporation**, Yamanashi (JP)

(72) Inventor: **Tan Qin Chen**, Yamanashi (JP)

(73) Assignee: **Fanuc Corporation**

(\*\*) Term: **15 Years**

(21) Appl. No.: **29/708,147**

(22) Filed: **Oct. 3, 2019**

(30) **Foreign Application Priority Data**

Apr. 5, 2019 (JP) ..... 2019-007470

(51) **LOC (13) Cl.** ..... **14-02**

(52) **U.S. Cl.**  
USPC ..... **D14/356**

(58) **Field of Classification Search**  
USPC ..... D14/356, 447, 432, 434, 439, 440, 451,  
D14/452, 457, 239, 253; D8/363, 373,  
D8/380; D6/406.3, 406.4, 406.5, 406.6;  
D12/415; D13/108; D32/17  
CPC ..... A47B 21/04; A47B 2097/006; A47B  
2097/005; A47B 2023/049; A45C  
2011/002; A45C 2011/003; F16M  
2200/00; F16M 13/00

See application file for complete search history.

(56) **References Cited**

**U.S. PATENT DOCUMENTS**

D552,615 S	*	10/2007	Kuroiwa	.....	D14/447
D630,222 S	*	1/2011	Lin	.....	D14/447
D650,774 S	*	12/2011	Molter	.....	D14/239
D675,212 S	*	1/2013	Chen	.....	D14/447
D689,057 S	*	9/2013	Waterman	.....	D14/447
D692,013 S	*	10/2013	Crysell	.....	D14/447
D748,099 S	*	1/2016	Heid	.....	D14/447
D765,646 S	*	9/2016	Deng	.....	D12/415

D773,465 S	*	12/2016	Palmer	.....	D14/434
D785,638 S	*	5/2017	Hsu	.....	D14/447
D808,600 S	*	1/2018	Malatray	.....	D32/17

(Continued)

**FOREIGN PATENT DOCUMENTS**

GB	D6115036	*	1/2021
JP	D1700634	*	11/2021
JP	D1700673	*	11/2021

**OTHER PUBLICATIONS**

Fanuc Corporation, no announcement date [online], retrieved May 27, 2022, retrieved from internet, <https://www.fanuc.eu/hr/en/robots/robot-filter-page/collaborative-robots/crx-10ial> (Year: 2022).\*

(Continued)

*Primary Examiner* — Messina L Smith

*Assistant Examiner* — Noah Perez

(74) *Attorney, Agent, or Firm* — RatnerPrestia

(57) **CLAIM**

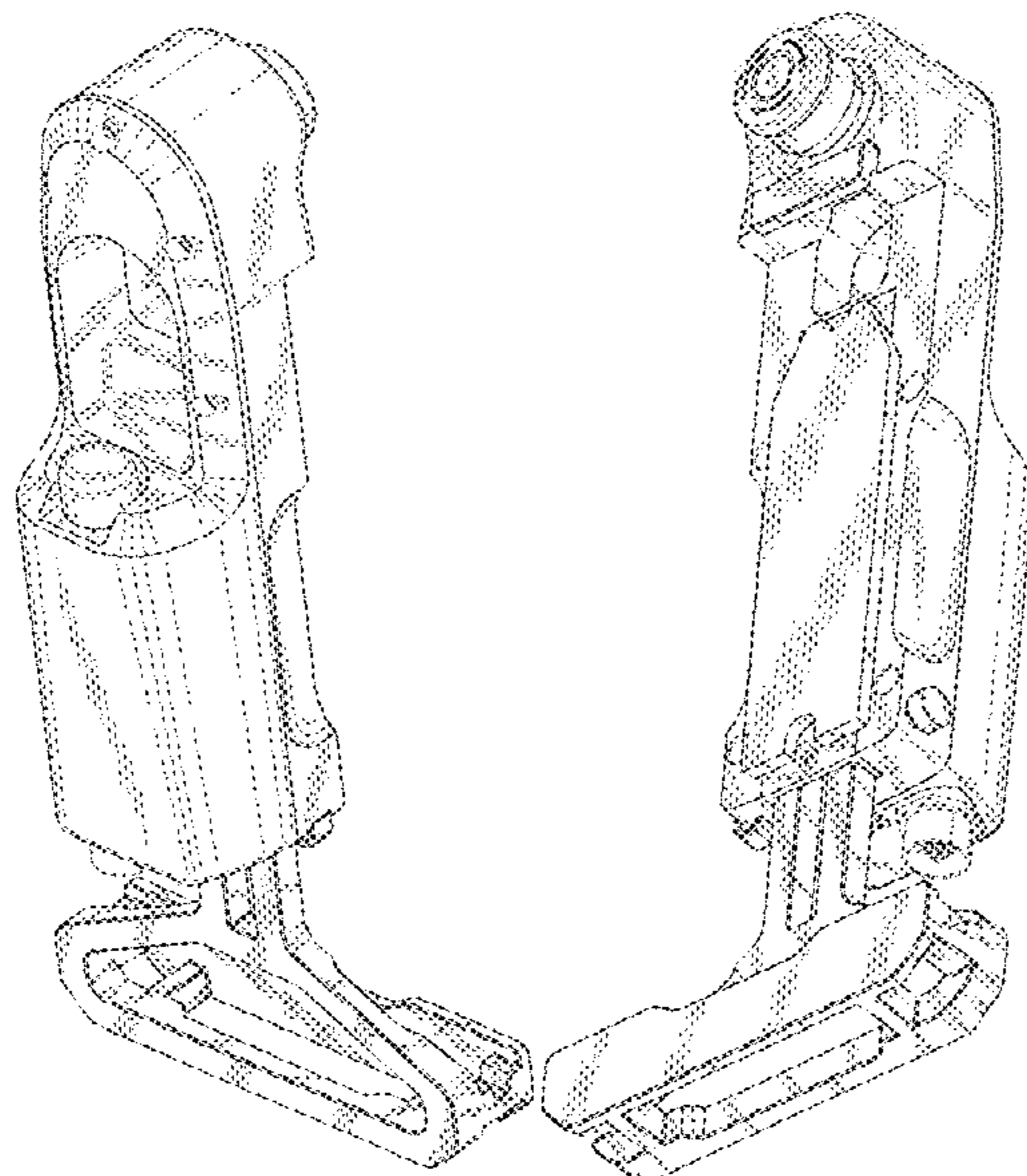
The ornamental design for an attachment for tablet computer, as shown and described.

**DESCRIPTION**

FIG. 1 is a front perspective view of an attachment for tablet computer showing my new design; FIG. 2 is a rear perspective view thereof; FIG. 3 is a front elevational view thereof; FIG. 4 is a rear elevational view thereof; FIG. 5 is a left side elevational view thereof; FIG. 6 is a right side elevational view thereof; FIG. 7 is a top plan view thereof; and, FIG. 8 is a bottom plan view thereof.

The broken lines in FIGS. 1-8 depict portions of the attachment for tablet computer that form no part of the claimed design. The dot-dash broken lines represent the boundaries of the claim and form no part of the claimed design.

**1 Claim, 6 Drawing Sheets**



(56)

**References Cited**

U.S. PATENT DOCUMENTS

D881,898 S	*	4/2020	Shubin, Sr.	.....	D14/447
D888,065 S	*	6/2020	Ahn	.....	D14/447
D891,509 S	*	7/2020	Elias	.....	D16/245
D891,510 S	*	7/2020	Elias	.....	D16/245
D909,284 S	*	2/2021	Hodge	.....	D12/415
D914,664 S	*	3/2021	Lin	.....	D14/253
D935,463 S	*	11/2021	Wang	.....	D14/434
D941,827 S	*	1/2022	You	.....	D14/447
D944,185 S	*	2/2022	Hodge	.....	D12/415
D947,199 S	*	3/2022	Chen	.....	D14/447

OTHER PUBLICATIONS

Pro-Face, no announcement date [online], retrieved May 27, 2022, retrieved from internet, <https://web.archive.org/web/20170619134617/https://www.proface.com/en/product/hmi/gp4000h/top> (Year: 2022).\*

U-Buy, announced Jun. 6, 2018 [online], retrieved May 27, 2022, <https://www.u-buy.com.tw/en/search/index/view/product/B07DK9B1MJ>.\*

Arkon Mounts, announced 2018 [online], retrieved May 27, 2022, <https://www.arkon.com/product/TAB506AMPS-locking-tablet-mount.html> (Year: 2022).\*

\* cited by examiner

FIG. 1

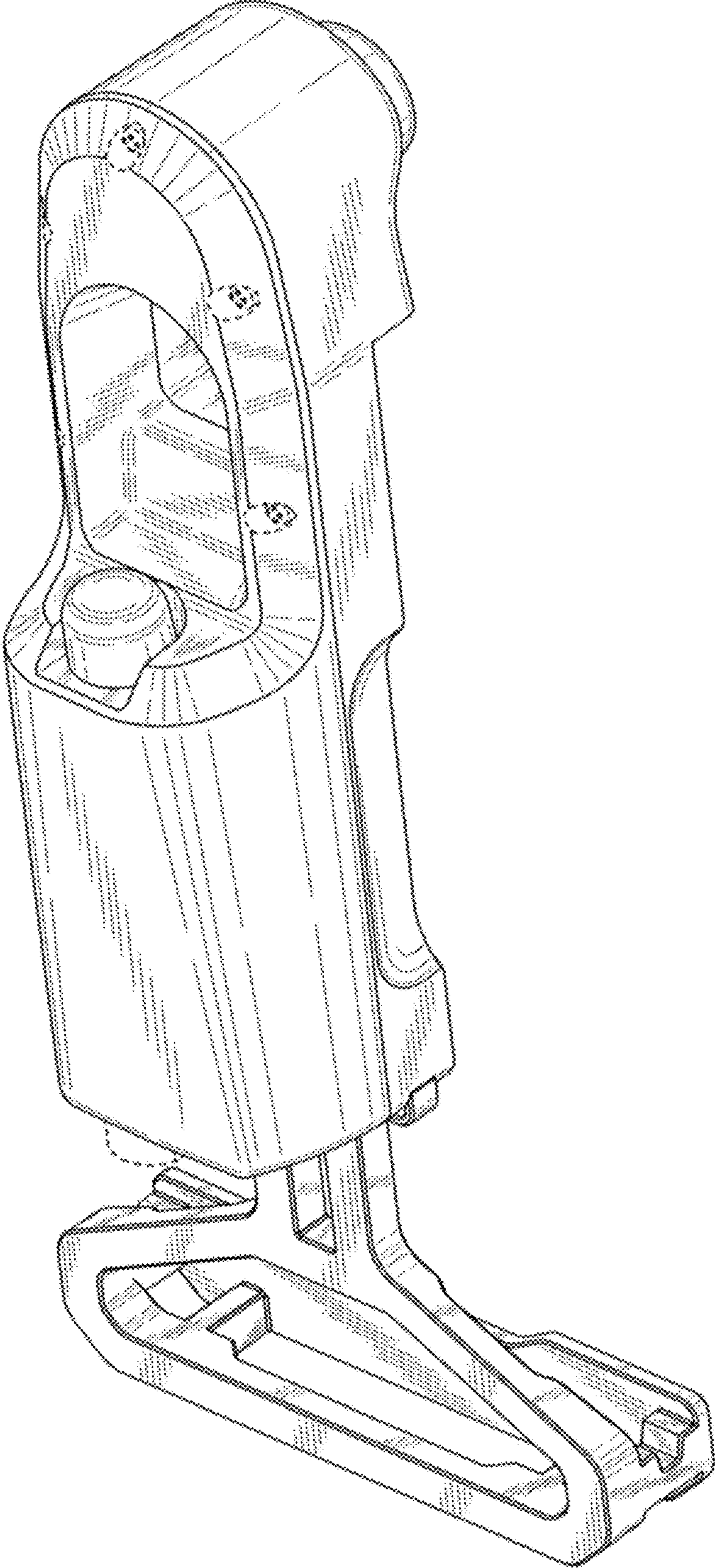


FIG. 2

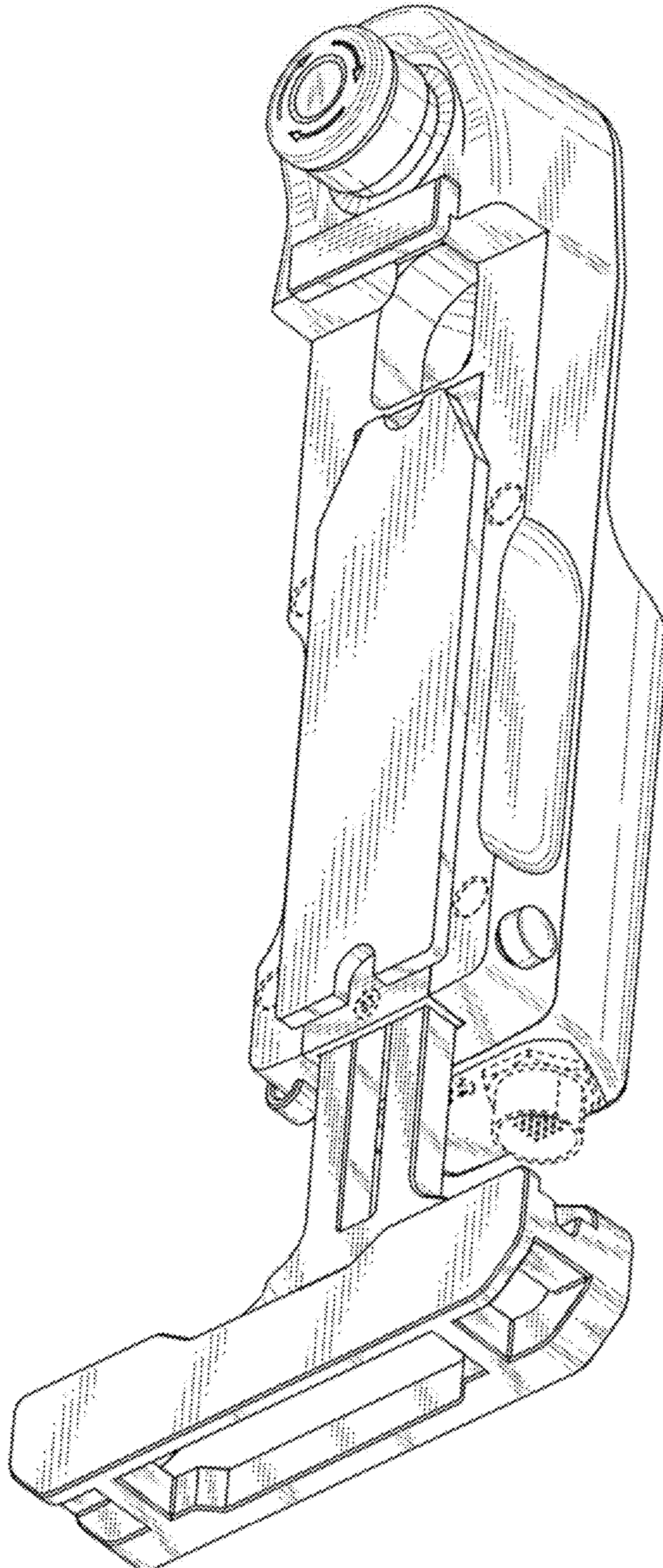


FIG. 3

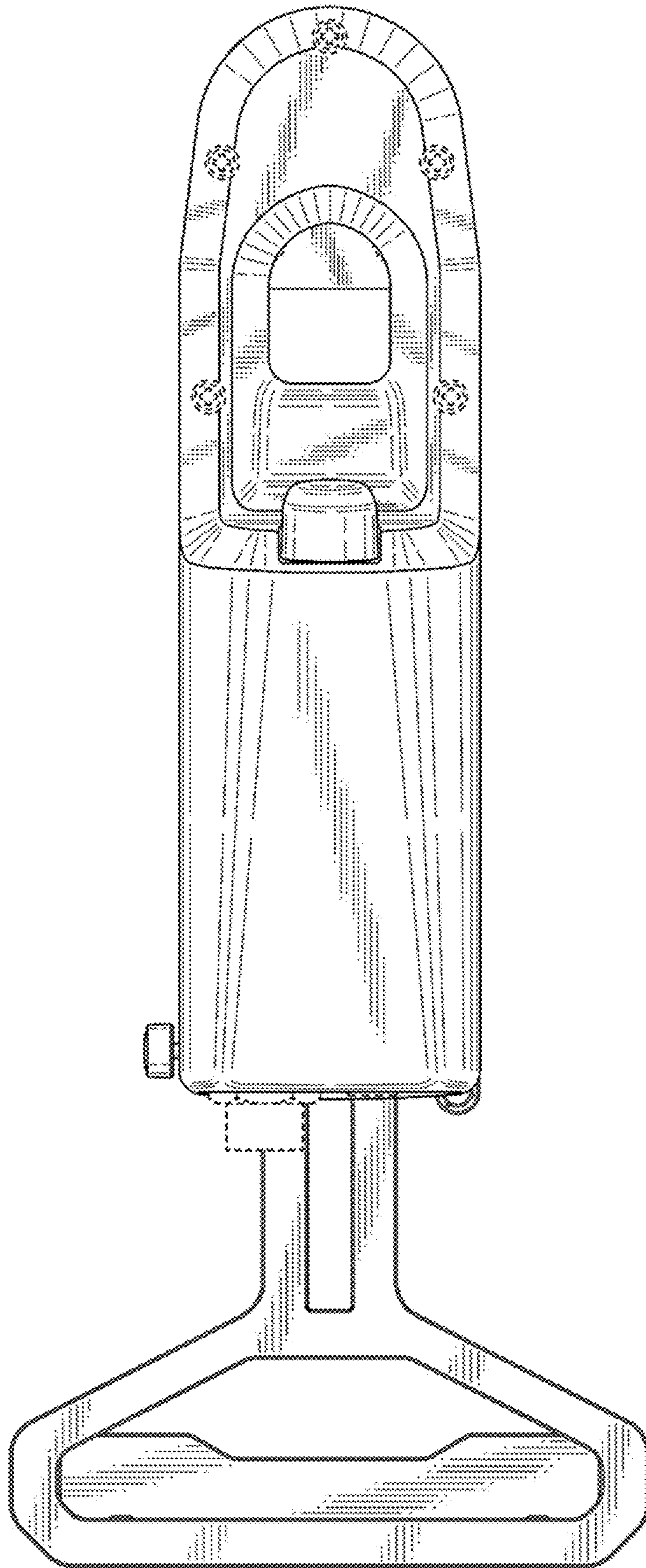


FIG. 4

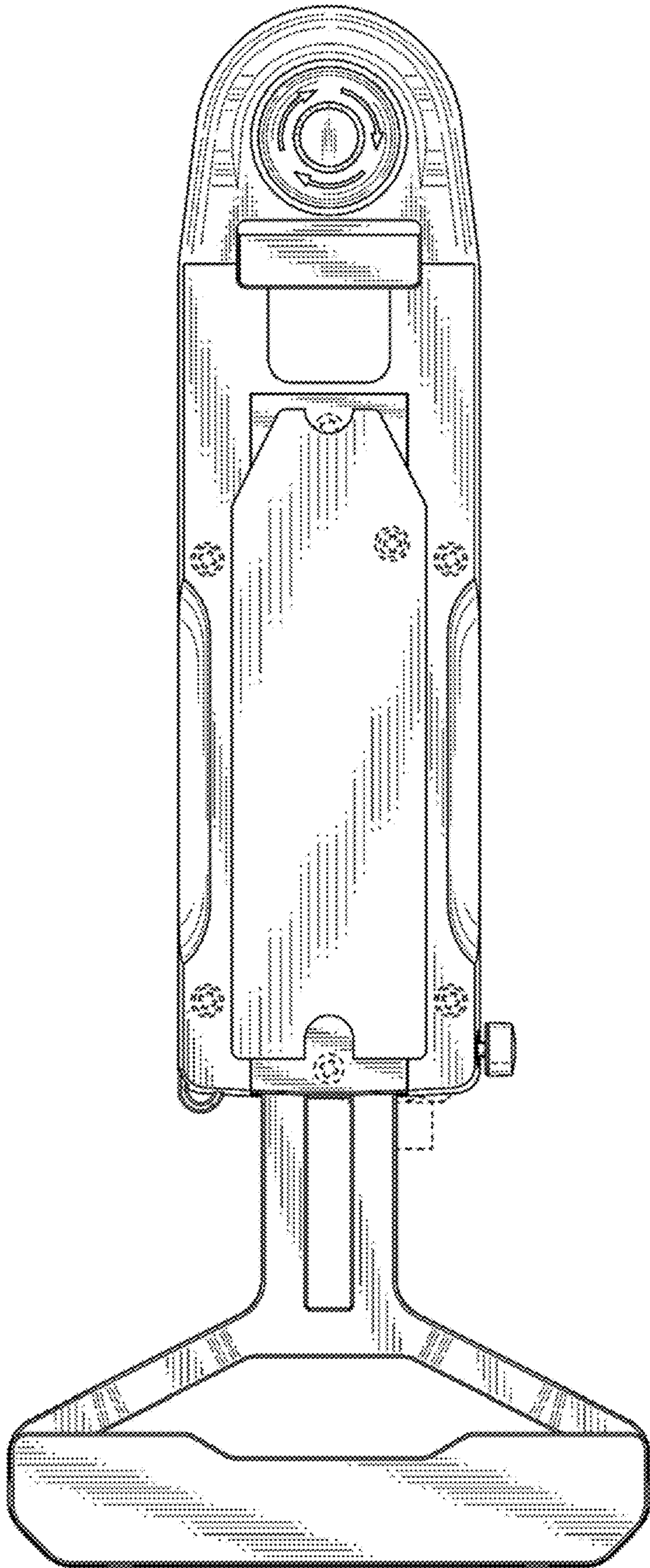


FIG. 5

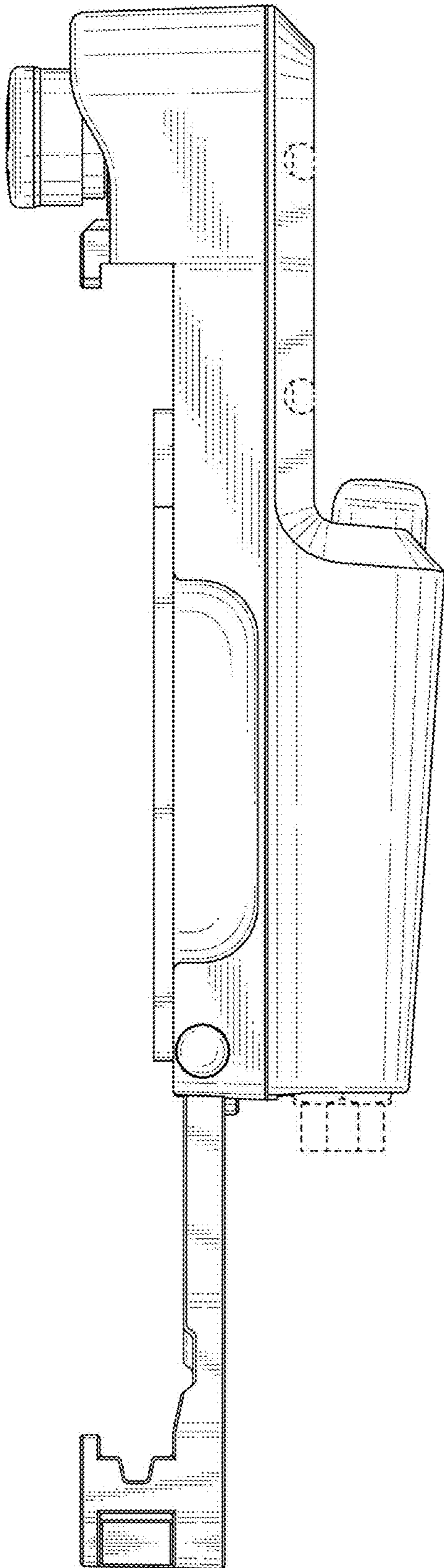


FIG. 6

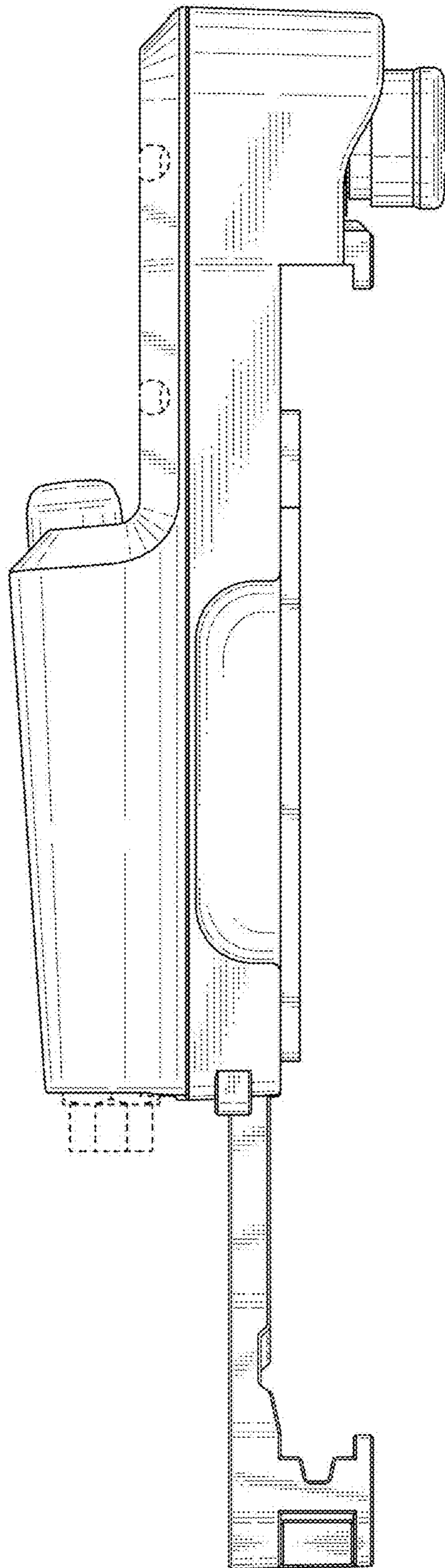


FIG. 7

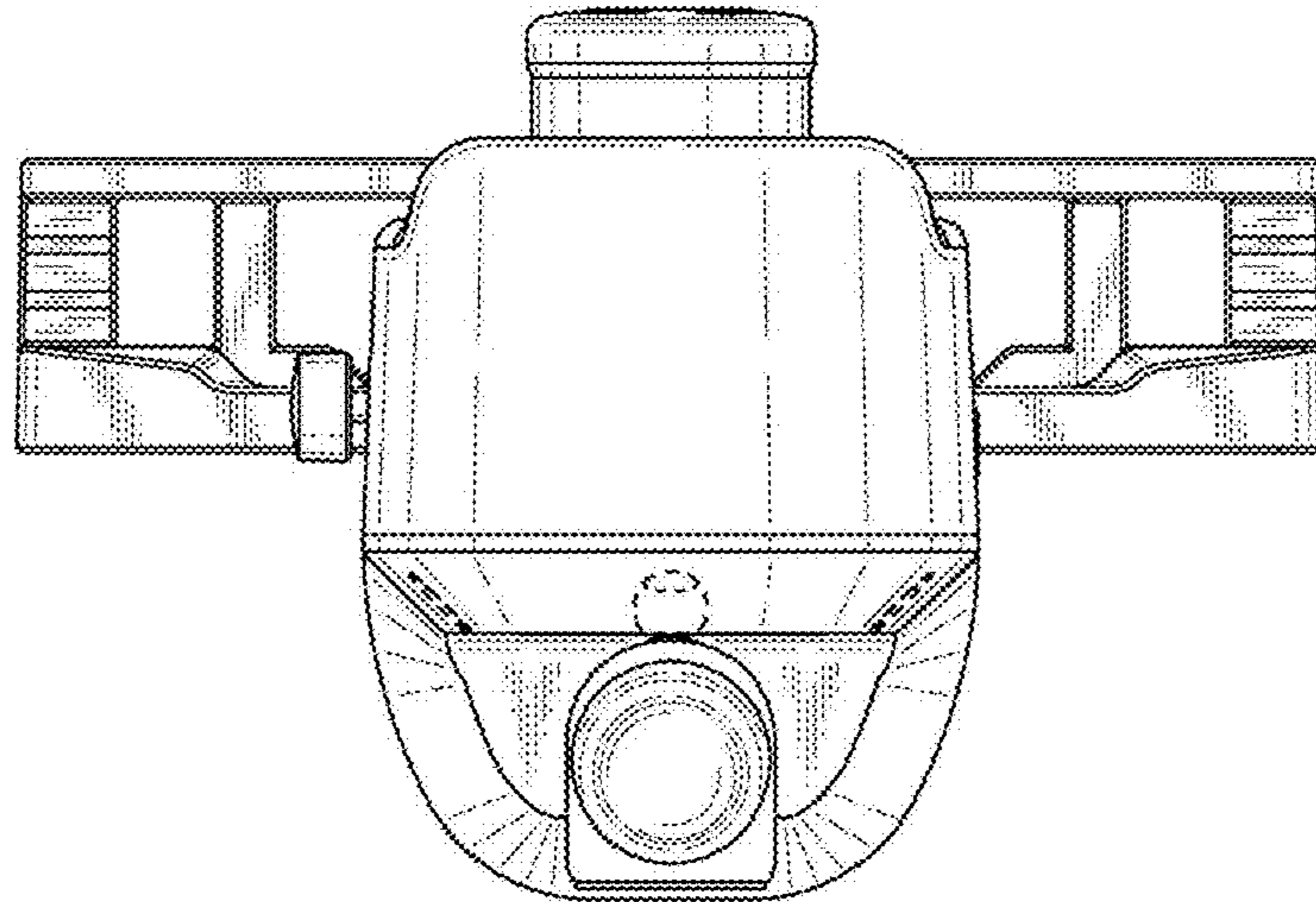


FIG. 8

