



US00D973049S

(12) **United States Design Patent**
Jones et al.

(10) **Patent No.:** **US D973,049 S**

(45) **Date of Patent:** **** Dec. 20, 2022**

(54) **SURFACE MOUNT FOR A MOBILE DEVICE**

(71) Applicant: **Peak Design**, San Francisco, CA (US)

(72) Inventors: **Dane Jones**, Half Moon Bay, CA (US);
Matthew Thomas James, San Francisco, CA (US); **Arthur Viger**, San Francisco, CA (US); **Peter Lockett**, Oakland, CA (US); **Colin Maginnis**, San Francisco, CA (US)

(73) Assignee: **PEAK DESIGN**, San Francisco, CA (US)

(**) Term: **15 Years**

(21) Appl. No.: **29/778,075**

(22) Filed: **Apr. 9, 2021**

Related U.S. Application Data

(63) Continuation-in-part of application No. 17/067,612, filed on Oct. 9, 2020, which is a continuation-in-part of application No. 16/945,687, filed on Jul. 31, 2020.

(51) **LOC (13) Cl.** **14-03**

(52) **U.S. Cl.**
USPC **D14/253**

(58) **Field of Classification Search**
USPC D14/251–253, 217, 440, 447; D3/218; D12/415
CPC . H04M 1/04; H04M 1/05; H04M 1/06; A45F 2200/0516; A45F 2200/0525; A45F 2005/008; A45F 2005/006; A45F 5/021; A47B 23/042; A47B 23/044; A47B 23/04
See application file for complete search history.

(56) **References Cited**

U.S. PATENT DOCUMENTS

D551,058 S 9/2007 Carnevali
7,431,251 B2 10/2008 Carnevali
D611,408 S * 3/2010 Ferber D13/108

8,830,663 B2 9/2014 Child et al.
D718,612 S * 12/2014 McSweyn D8/363
D736,706 S * 8/2015 Huang D13/108
D739,708 S 9/2015 McSweyn et al.
D749,596 S 2/2016 Khodapanah et al.
D769,234 S * 10/2016 Rami D14/447
D778,713 S * 2/2017 McSweyn D12/415

(Continued)

Primary Examiner — Janice Hallmark

(74) *Attorney, Agent, or Firm* — Grumbles Law PLLC; Brittany Haanan

(57) **CLAIM**

The ornamental design for a surface mount for a mobile device, as shown and described.

DESCRIPTION

FIG. 1 is a perspective front view of a surface mount for a mobile device showing our new design.

FIG. 2 is an elevational front view of the surface mount for a mobile device.

FIG. 3 is an elevational back view of the surface mount for a mobile device.

FIG. 4 is a top plan view of the surface mount for a mobile device.

FIG. 5 is a bottom plan view of the surface mount for a mobile device.

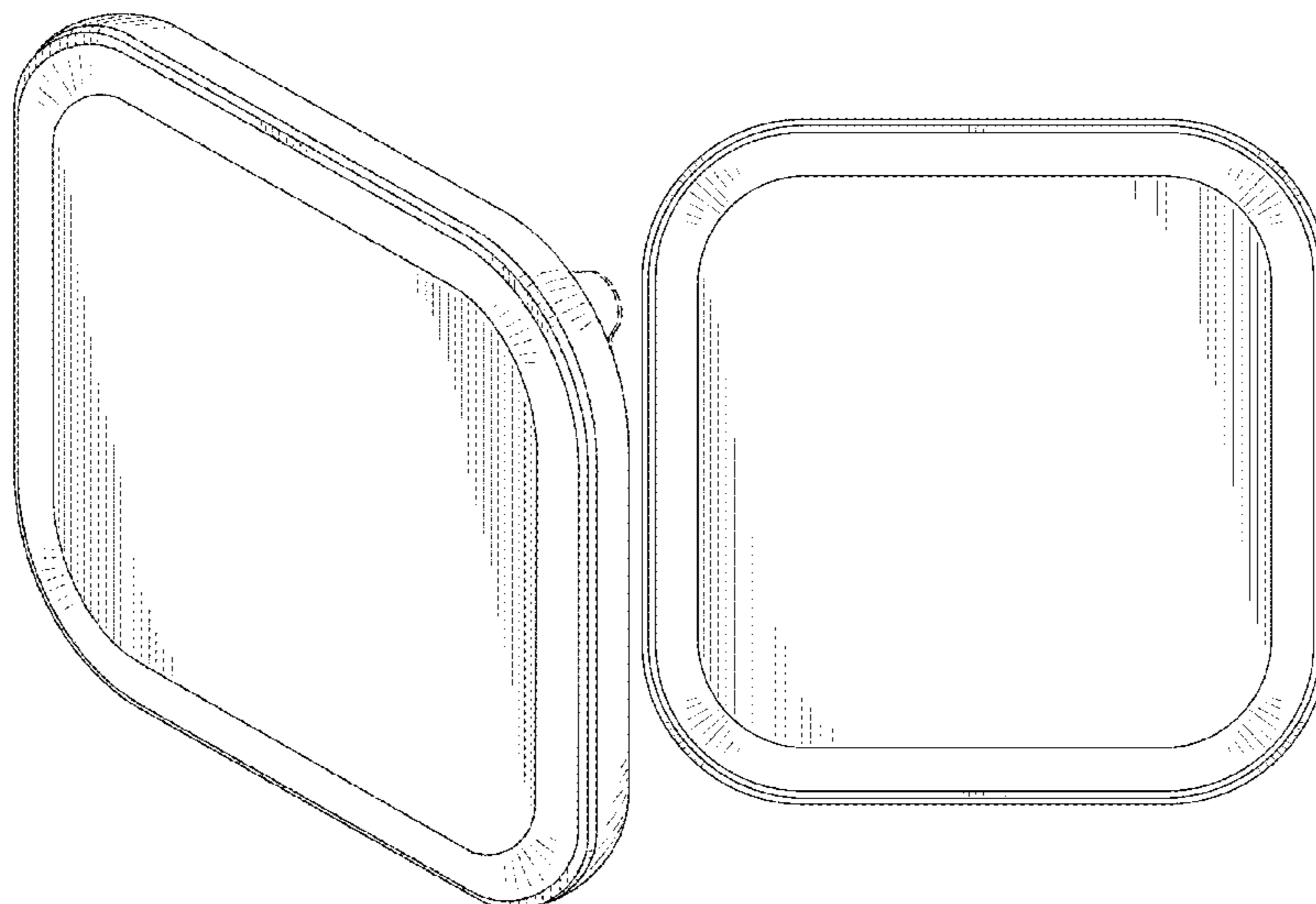
FIG. 6 is a left side elevational view of the surface mount for a mobile device.

FIG. 7 is a right side elevational view of the surface mount for a mobile device; and,

FIG. 8 is a right side elevational front view of the surface mount for a mobile device engaged with a mobile device case.

The broken lines illustrate portions of the surface mount for a mobile device that form no part of the claimed design. Additional broken lines showing a mobile device in FIG. 8 illustrate environment and form no part of the claimed design.

1 Claim, 6 Drawing Sheets



(56)

References Cited

U.S. PATENT DOCUMENTS

9,611,881 B2 4/2017 Khodapanah et al.
9,689,527 B2 6/2017 Franklin
D792,416 S * 7/2017 Tsai D14/447
9,704,632 B2 7/2017 Baca
D804,413 S 12/2017 McSweyn et al.
9,869,423 B2 1/2018 Khodapanah et al.
D826,151 S * 8/2018 Akana D13/108
D832,265 S * 10/2018 Alves D14/439
D840,988 S * 2/2019 Kim D14/250
D852,196 S 6/2019 Alves
D854,021 S 7/2019 Alves
10,505,392 B2 12/2019 McSweyn et al.
D877,741 S * 3/2020 Leeds-Frank D14/447
D886,093 S * 6/2020 Dubanowich D8/356
D893,415 S 8/2020 McSweyn et al.
D901,482 S * 11/2020 Koo D14/253
D912,621 S * 3/2021 Qiu D13/108
D922,947 S * 6/2021 Wang D13/108
D928,163 S * 8/2021 Akana D14/439
D930,579 S * 9/2021 Zhong D13/108
D934,232 S * 10/2021 Francis D12/415
D936,574 S * 11/2021 Turksu D13/108
D937,820 S * 12/2021 Li D12/415
D941,240 S * 1/2022 Gong D13/108
D943,562 S * 2/2022 Ruhman D14/240
D944,787 S * 3/2022 Zheng D14/253
D958,071 S * 7/2022 Yang D13/108
2011/0192857 A1 8/2011 Rothbaum et al.
2014/0355200 A1 12/2014 Thiers
2016/0134142 A1 5/2016 Murphy
2017/0170858 A1 * 6/2017 Tiller H04B 1/3877
2017/0354275 A1 * 12/2017 Hatamian F21V 33/0032
2018/0032104 A1 2/2018 Schatz et al.

* cited by examiner

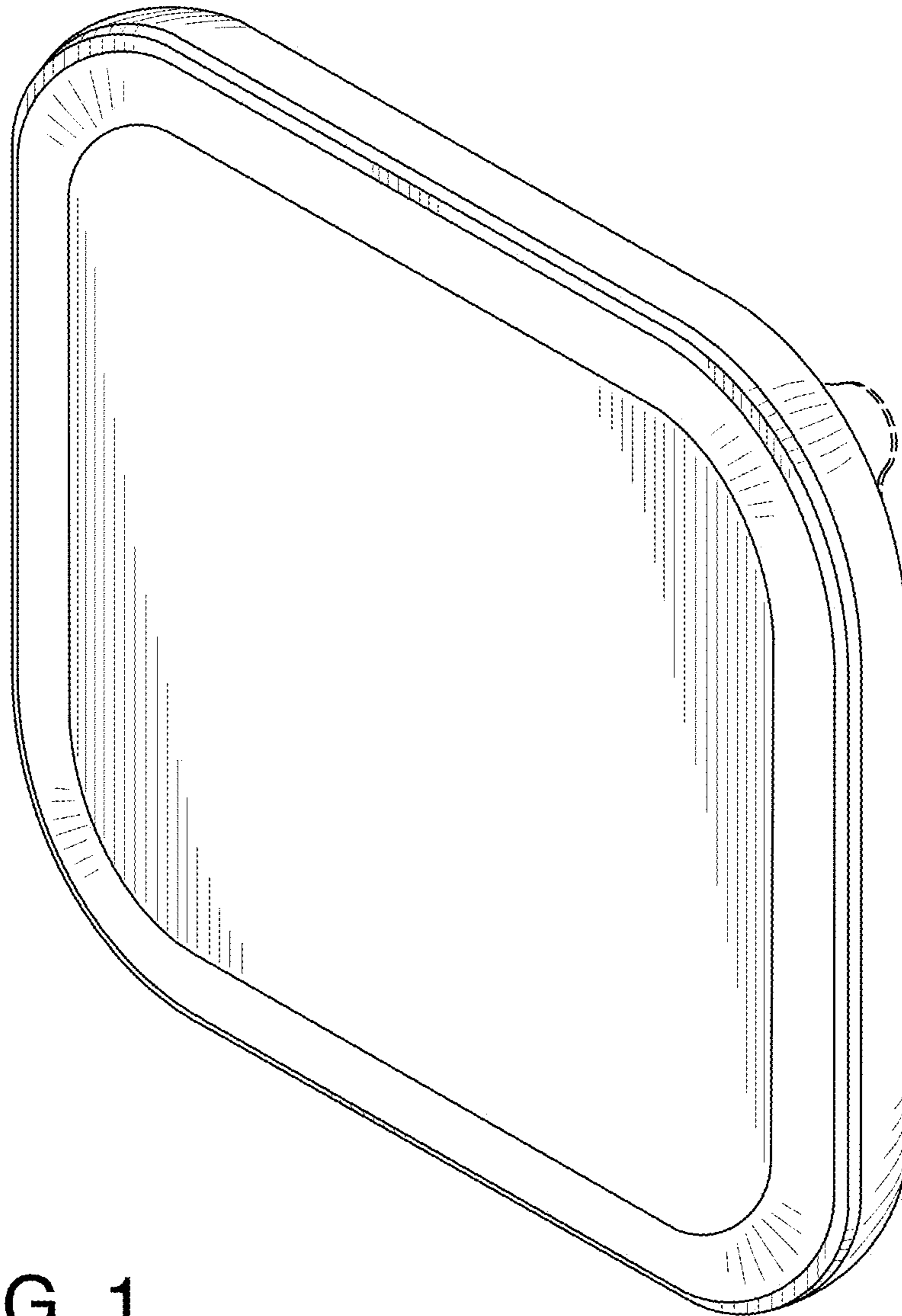


FIG. 1

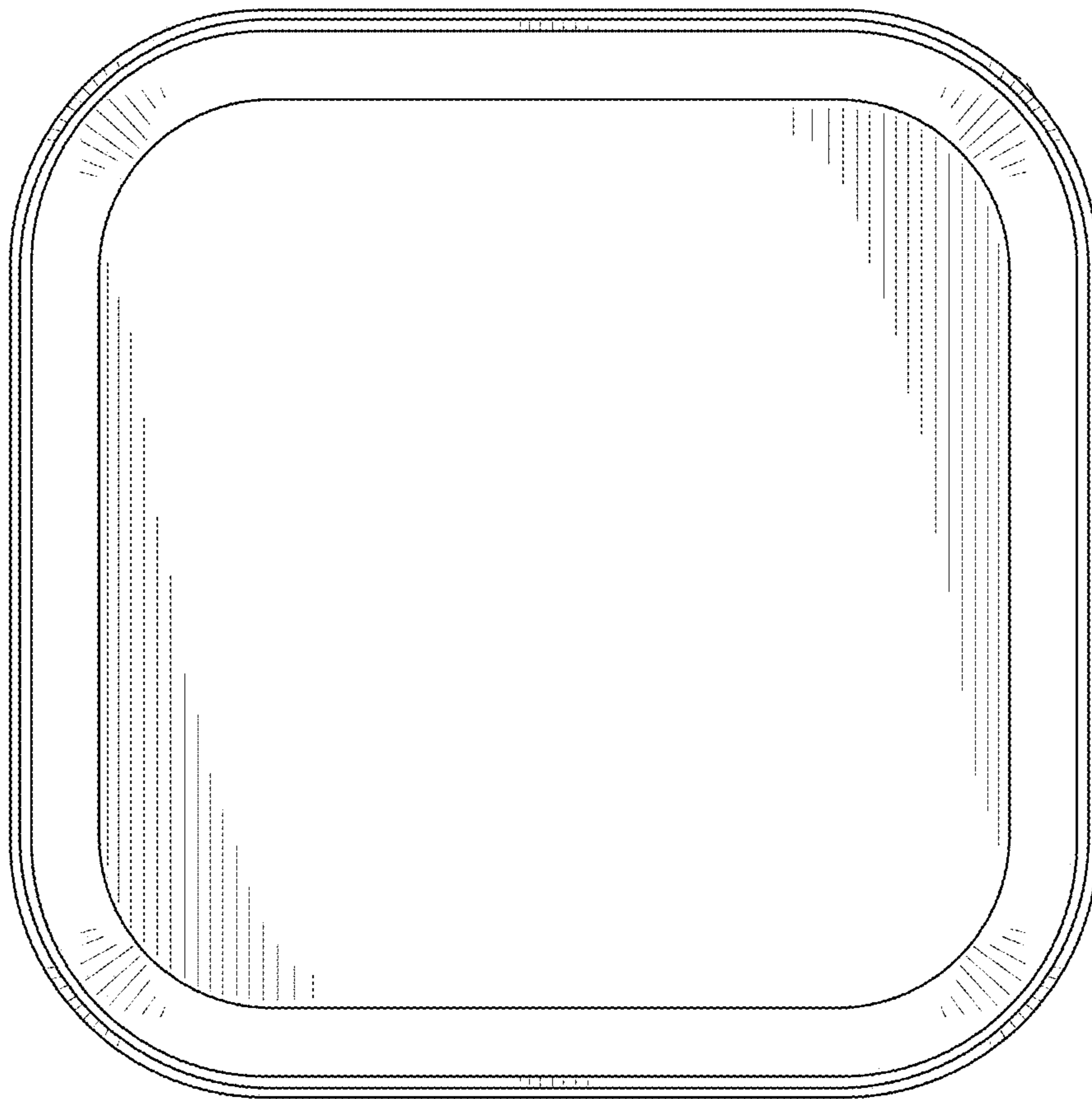


FIG. 2

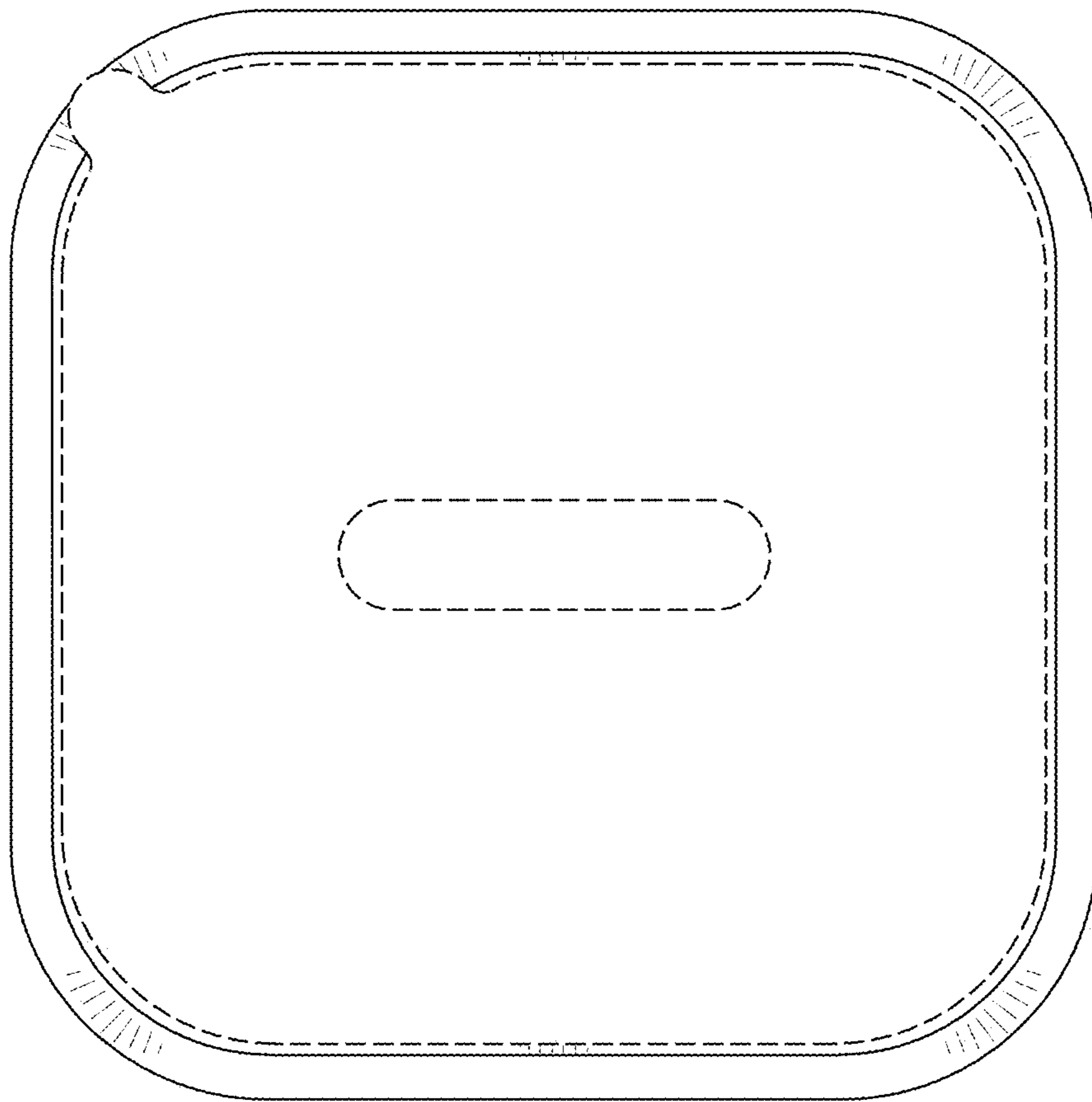


FIG. 3

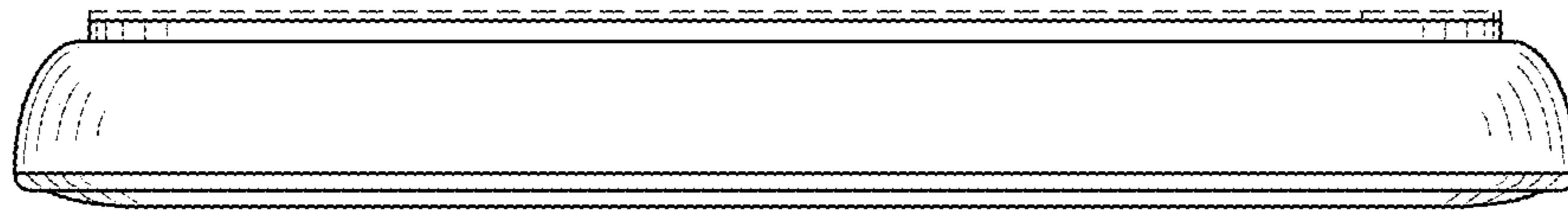


FIG. 4

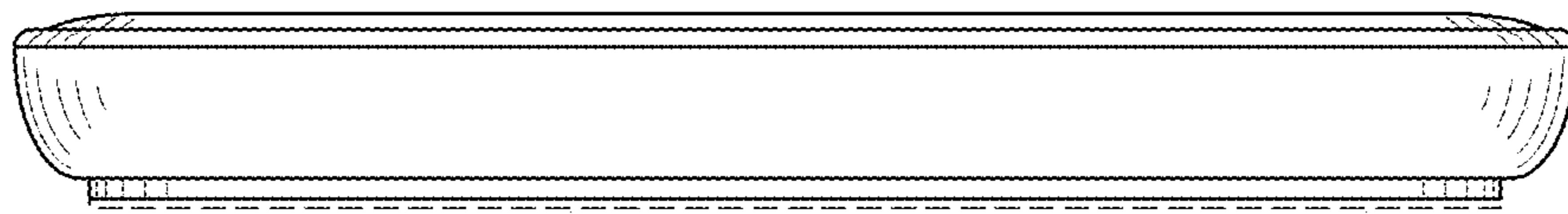


FIG. 5

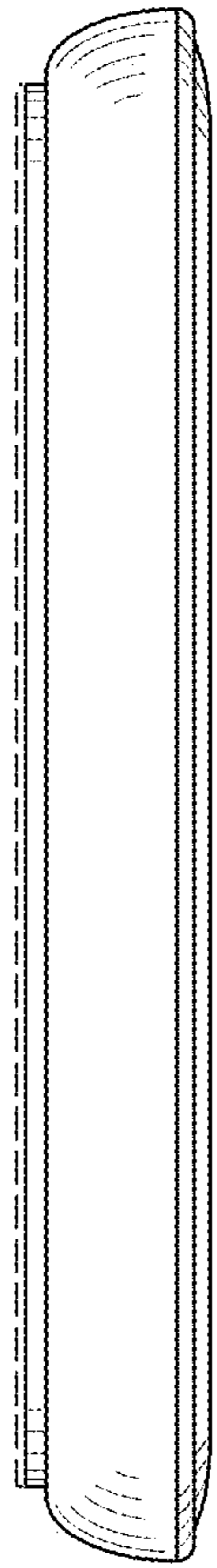


FIG. 6

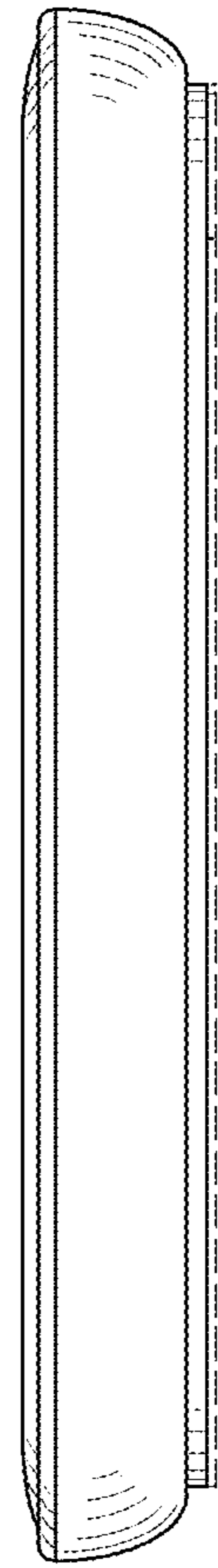


FIG. 7

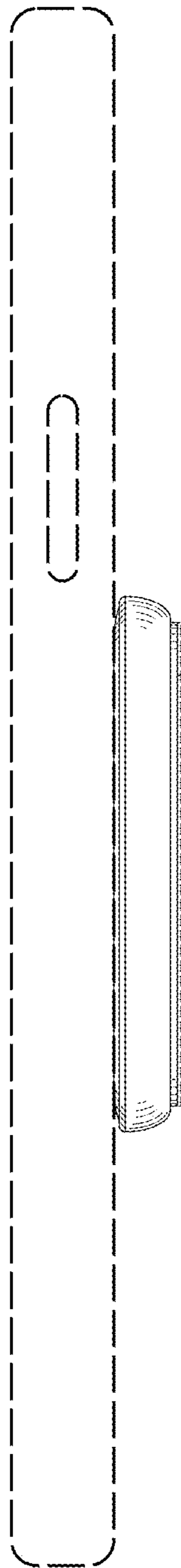


FIG. 8