



US00D973047S

(12) **United States Design Patent** (10) **Patent No.:** **US D973,047 S**
Lin (45) **Date of Patent:** **** Dec. 20, 2022**

(54) **PHONE COVER**

(71) Applicant: **Guangzhou Roiskin Technology Company**, Guangzhou (CN)

(72) Inventor: **Sam Lin**, Guangzhou (CN)

(73) Assignee: **GUANGZHOU ROISKIN TECHNOLOGY COMPANY**, Guangzhou (CN)

(**) Term: **15 Years**

(21) Appl. No.: **29/772,350**

(22) Filed: **Mar. 1, 2021**

(51) **LOC (13) Cl.** **14-03**

(52) **U.S. Cl.**

USPC **D14/250**; D14/251; D14/426

(58) **Field of Classification Search**

USPC D3/201, 215, 218, 233, 247, 249, 267, D3/269, 273, 300, 303, 307, 323; D10/104.1, 50, 65, 74; D14/238, 238.1, D14/341, 342, 343, 344, 345, 346, 347, D14/426, 240, 447, 451, 440, 432-434, D14/452, 130, 496, 137, 138 R, 138 AA, D14/138 C, 138 G, 140, 140.8, 140.9, D14/140.11, 148, 147, 151, 203.1, D14/203.3-203.7, 209.1, 217, 218, 247, D14/248, 250, 251-253, 388, 389, 439, D14/482; D12/415, 410, 193; D13/103, D13/107-108, 156, 123, 133, 154, 158, D13/160, 173, 178, 184, 199; D18/4.4-4.6, 6, 7; D21/186, 330, 332, D21/324, 329

CPC G06F 3/041; G06F 3/0412; G06F 3/0416; G06F 3/0488; G06F 3/04883; G06F 3/04886; G06F 1/1613; G06F 1/1624; G06F 1/1626; G06F 1/1633; G06F 1/1641; G06F 1/1643; G06F 1/1692; G06F 2200/1633; G06F 2212/1721; G09F 1/12; G09F 1/00;

(Continued)

(56) **References Cited**

U.S. PATENT DOCUMENTS

9,293,808 B1 * 3/2016 Roberts H01Q 1/422
D765,662 S * 9/2016 Kang D14/251

(Continued)

FOREIGN PATENT DOCUMENTS

CN 303783680 * 8/2016
CN 304134401 * 5/2017

OTHER PUBLICATIONS

Compatible for iPhone 13 pro max Case, date not known [online], retrieved Aug. 22, 2022, retrieved from the internet: < <https://www.walmart.com/ip/Compatible-iPhone-13-pro-max-Case-Stand-Heavy-Duty-Military-Grade-Shockproof-Phone-Cover-Adjustable-Ring-Kickstand-6-7-2021-Accessories-Black/465654974?> (Year: 2022).*

(Continued)

Primary Examiner — Messina L Smith

Assistant Examiner — Rodolfo Castro, Jr.

(74) *Attorney, Agent, or Firm* — Patrick J. Halloran

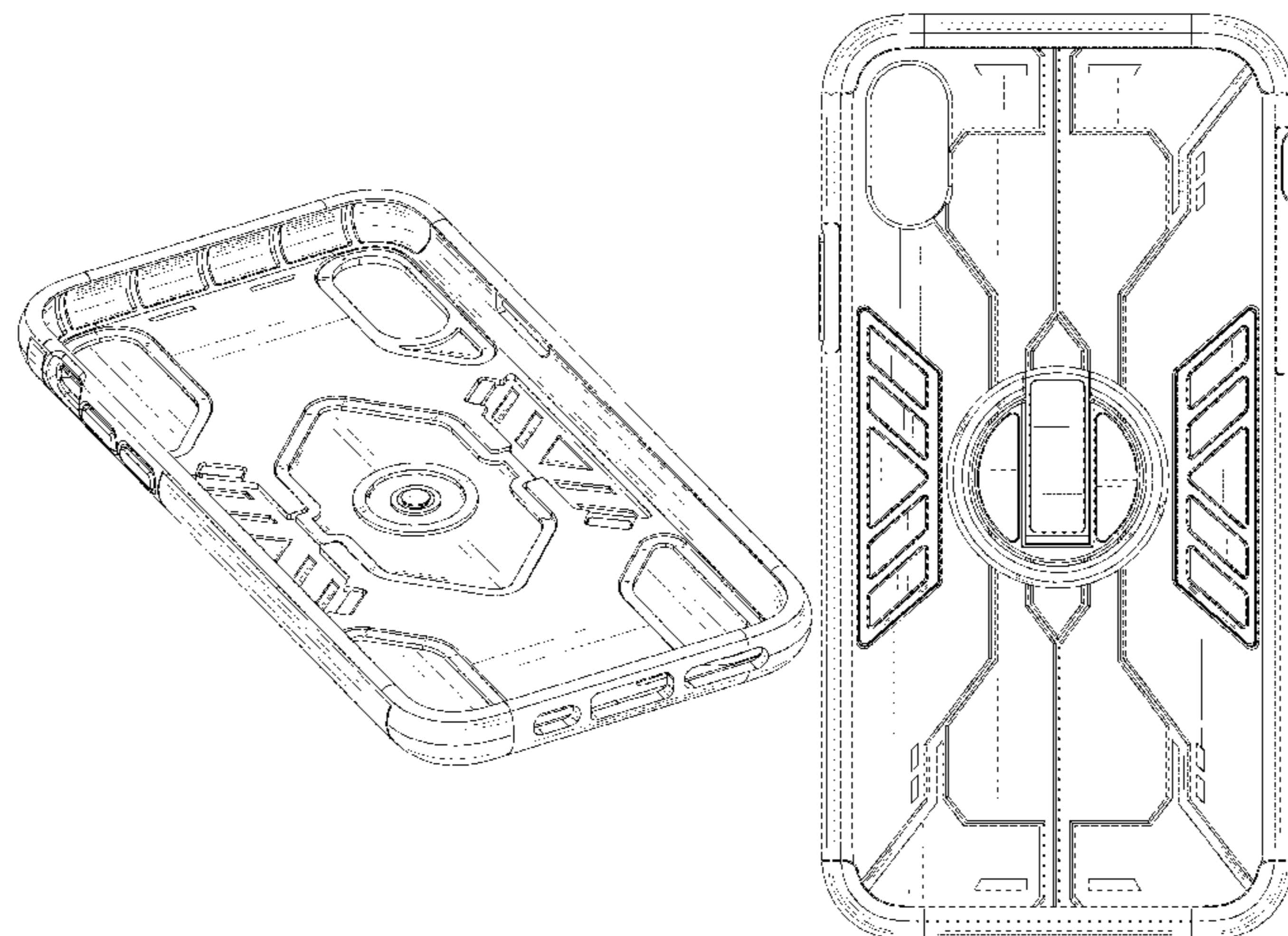
(57) **CLAIM**

The ornamental design for a phone cover, as shown and described.

DESCRIPTION

FIG. 1 is a front perspective view of a phone cover of the present disclosure;
FIG. 2 is a rear perspective view thereof;
FIG. 3 is a front elevational view thereof;
FIG. 4 is a rear elevational view thereof;
FIG. 5 is a left-side elevational view thereof;
FIG. 6 is a right-side elevational view thereof;
FIG. 7 is a top plan view thereof; and,
FIG. 8 is a bottom plan view thereof.

(Continued)



The shade lines shown in the drawings indicate the character and contour of surfaces represented and should not be confused with surface ornamentation.

1 Claim, 8 Drawing Sheets

(58) **Field of Classification Search**

CPC G09F 2007/1843; G09F 2013/1881; H04B 1/3888; H04B 1/3833; H04B 1/04; H04B 1/03; H04B 1/08; A45C 13/02; A45C 13/002; A45C 13/185; A45C 2011/002; A45C 1/06; A45F 2005/1006; A45F 2200/0516; A45F 2200/0525; A47G 1/0605; A63H 33/3016

See application file for complete search history.

(56) **References Cited**

U.S. PATENT DOCUMENTS

D782,488 S * 3/2017 Kim D14/447
 D786,192 S * 5/2017 Liu D13/107
 D808,369 S * 1/2018 Kim D14/250
 D837,781 S * 1/2019 Ingram D14/250
 10,329,083 B1 * 6/2019 Chuang B62J 23/00

D856,956 S * 8/2019 Liu D14/250
 D862,446 S * 10/2019 Jia D14/250
 D898,718 S * 10/2020 Pasternak D3/249
 D901,474 S * 11/2020 Armstrong D14/250
 D932,478 S * 10/2021 Zhou D14/250
 11,374,607 B1 * 6/2022 Feng A45C 11/00
 2013/0127309 A1 * 5/2013 Wyner G03B 17/08
 312/223.1
 2014/0069825 A1 * 3/2014 Macrina A45C 11/00
 206/37
 2014/0268519 A1 * 9/2014 Huang H04B 1/3888
 361/679.01
 2015/0068934 A1 * 3/2015 Armstrong H04B 1/3888
 206/320
 2015/0312389 A1 * 10/2015 Curran H04M 1/0281
 455/575.6
 2016/0039357 A1 * 2/2016 Jang F16M 13/00
 224/567

OTHER PUBLICATIONS

Mecha Phone Case for iPhone XR. Date not known [online], retrieved Aug. 22, 2022, retrieved from the internet: < <https://www.roiskin.com/products/mecha-phone-case-for-iphone-xr.html> > (Year: 2022).*

* cited by examiner

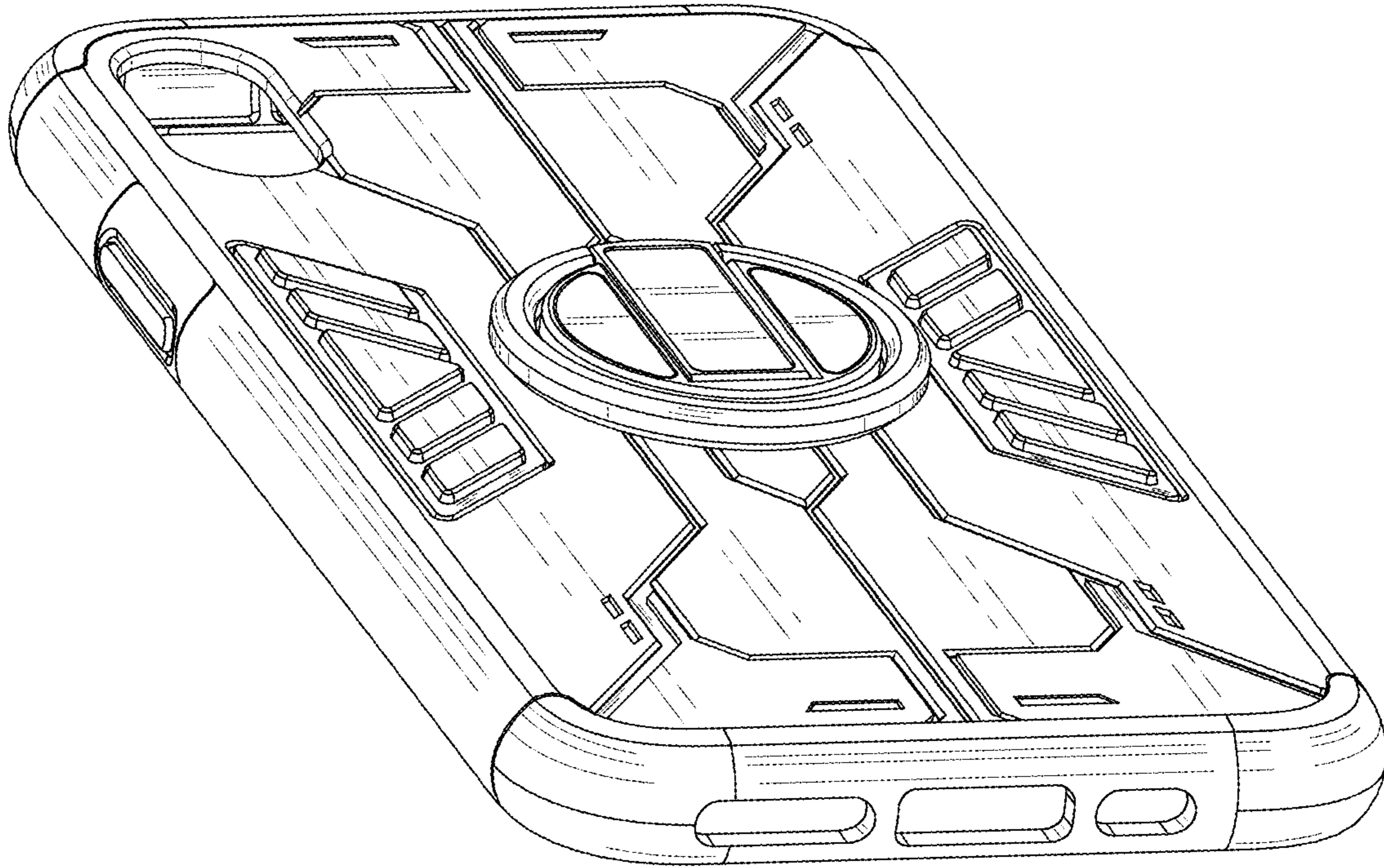


FIG. 1

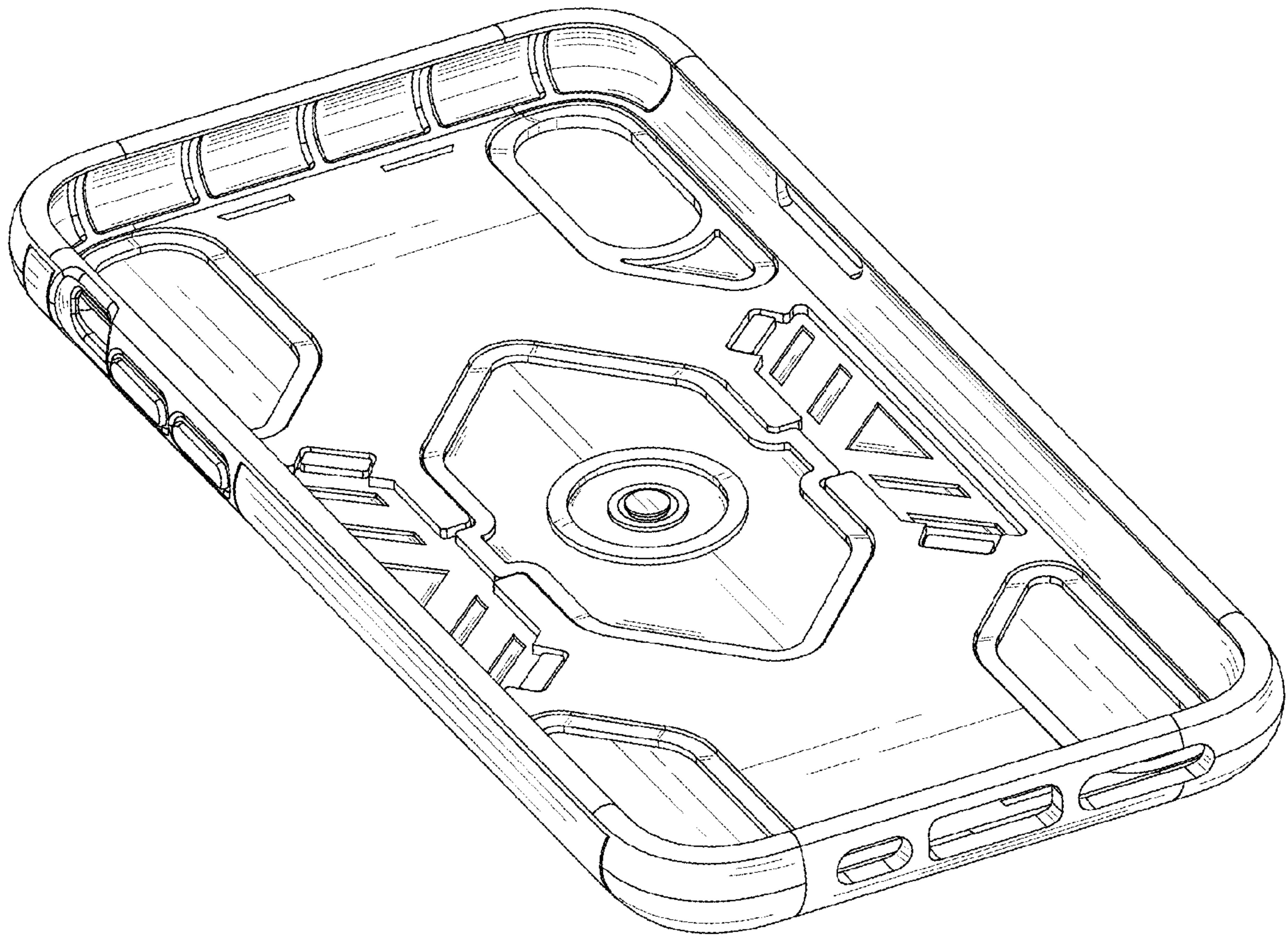


FIG. 2

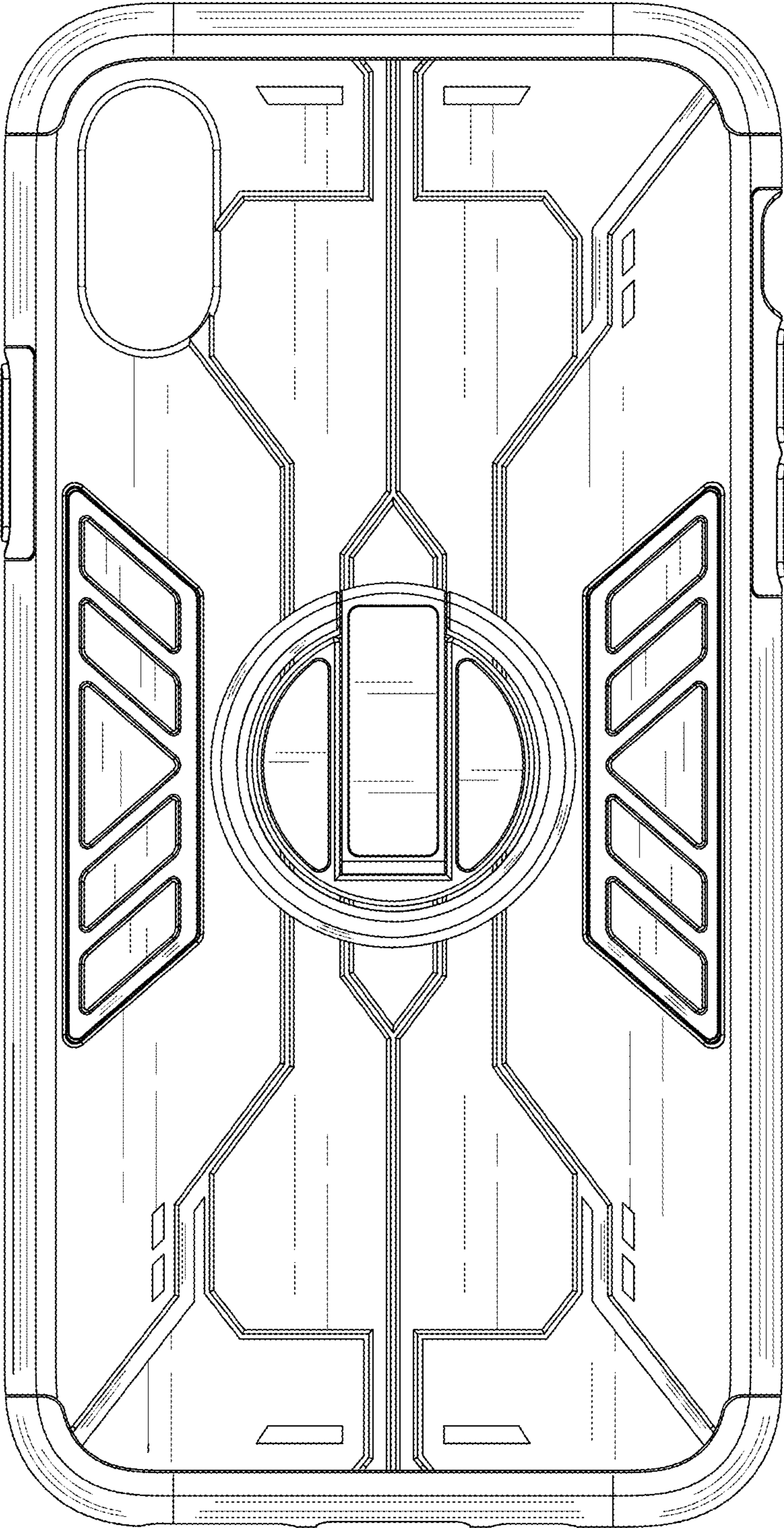


FIG. 3

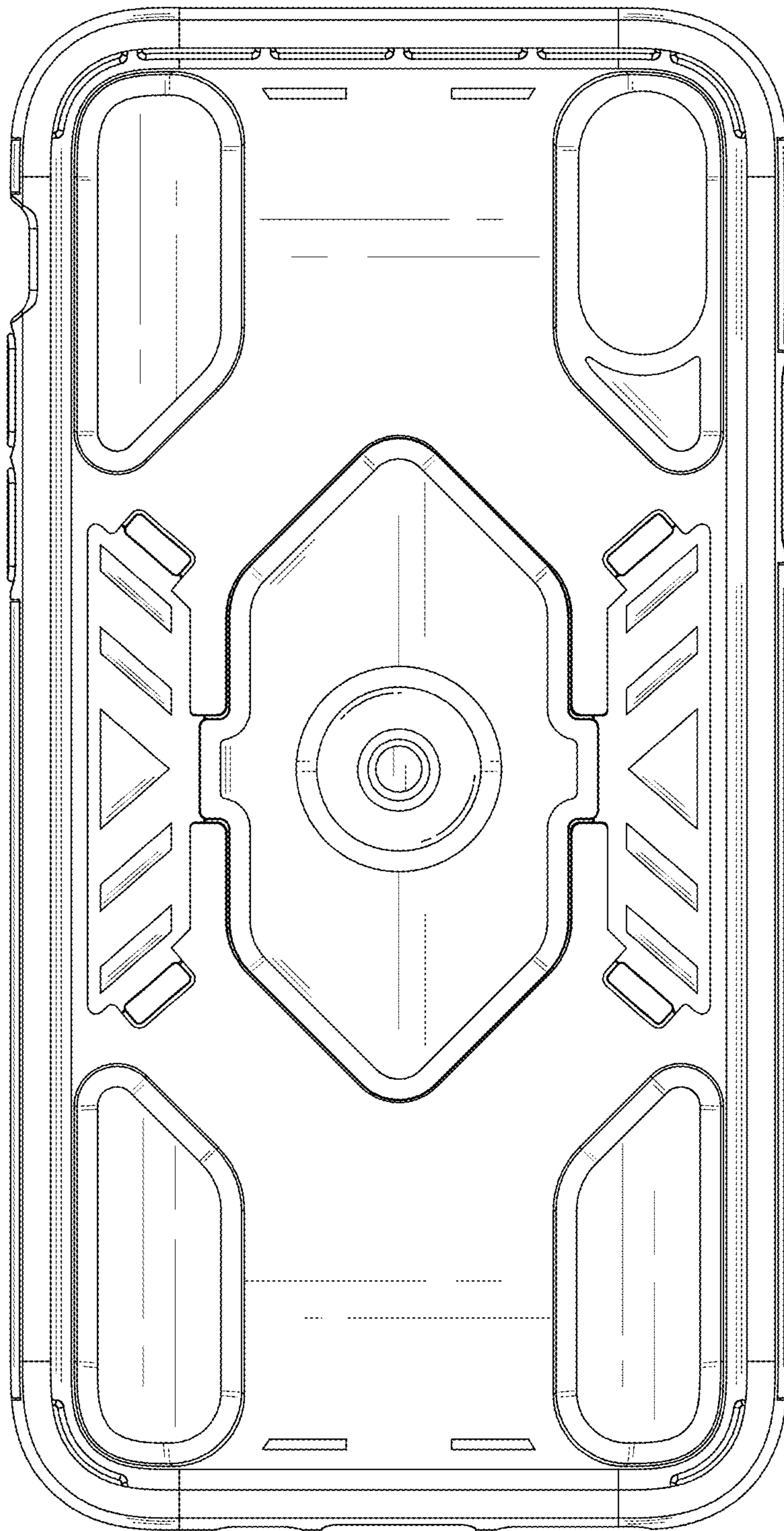


FIG. 4

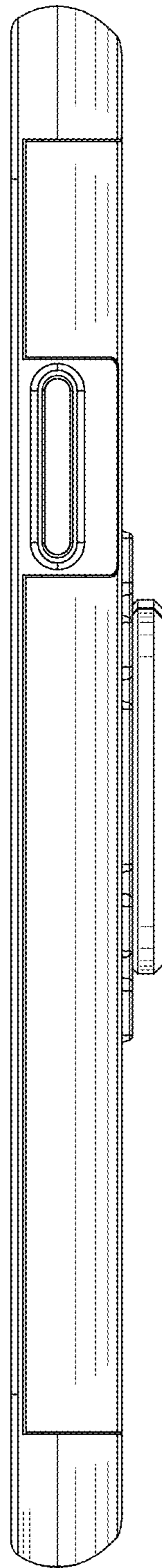


FIG. 5

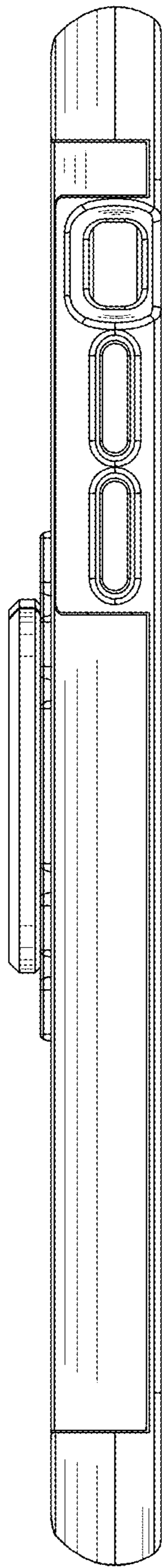


FIG. 6

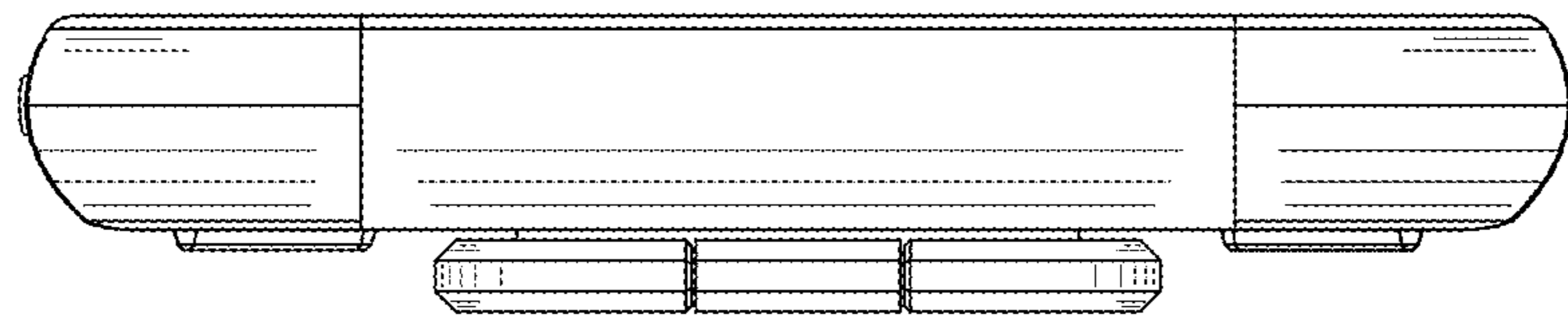


FIG. 7

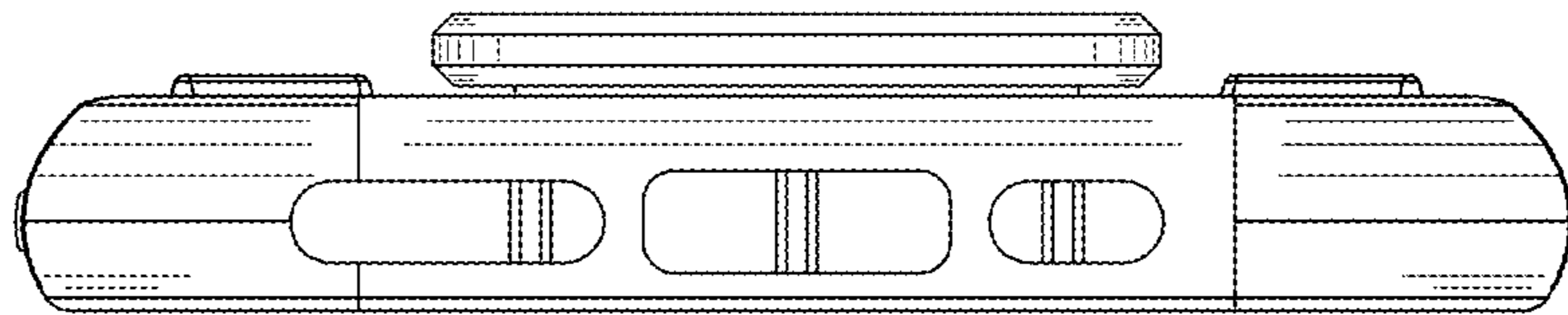


FIG. 8