



US00D973046S

(12) **United States Design Patent**
Feng

(10) **Patent No.:** **US D973,046 S**

(45) **Date of Patent:** **** Dec. 20, 2022**

(54) **PHONE CASE**

(71) Applicant: **GUANGZHOU WENYI COMMUNICATION EQUIPMENT CO., LTD**, Guangzhou (CN)

(72) Inventor: **YouRu Feng**, Guangzhou (CN)

(73) Assignee: **GUANGZHOU WENYI COMMUNICATION EQUIPMENT CO., LTD**, Guangzhou (CN)

(**) Term: **15 Years**

(21) Appl. No.: **29/706,626**

(22) Filed: **Sep. 21, 2019**

(51) **LOC (13) Cl.** **14-03**

(52) **U.S. Cl.**
USPC **D14/250; D3/249**

(58) **Field of Classification Search**
USPC D3/201, 218, 249; D13/103, 107, 108, D13/119; D14/217, 248, 250–253, 432, D14/434, 440, 441, 447
CPC H04B 1/3888; H04M 1/0283; H04M 1/0202; A45F 2005/028; A45F 2200/0525
See application file for complete search history.

(56) **References Cited**

U.S. PATENT DOCUMENTS

- D762,615 S * 8/2016 Kim D14/203.4
- D822,989 S * 7/2018 Persson D3/249
- D843,992 S * 3/2019 Lu D14/250
- D846,553 S * 4/2019 Feng D14/440
- D871,066 S * 12/2019 Feng D3/249
- D872,722 S * 1/2020 Zhou D14/250

- D874,136 S * 2/2020 Feng D3/249
- D891,416 S * 7/2020 Yu D3/249
- D901,479 S * 11/2020 Altschul D14/250
- D902,193 S * 11/2020 Altschul D14/250
- D906,321 S * 12/2020 Feng D3/249
- D907,625 S * 1/2021 Feng D3/249
- D917,442 S * 4/2021 Feng D3/249
- D923,615 S * 6/2021 Akana D14/250

* cited by examiner

Primary Examiner — L. A. Grabenstetter

(74) *Attorney, Agent, or Firm* — Zhihua Han

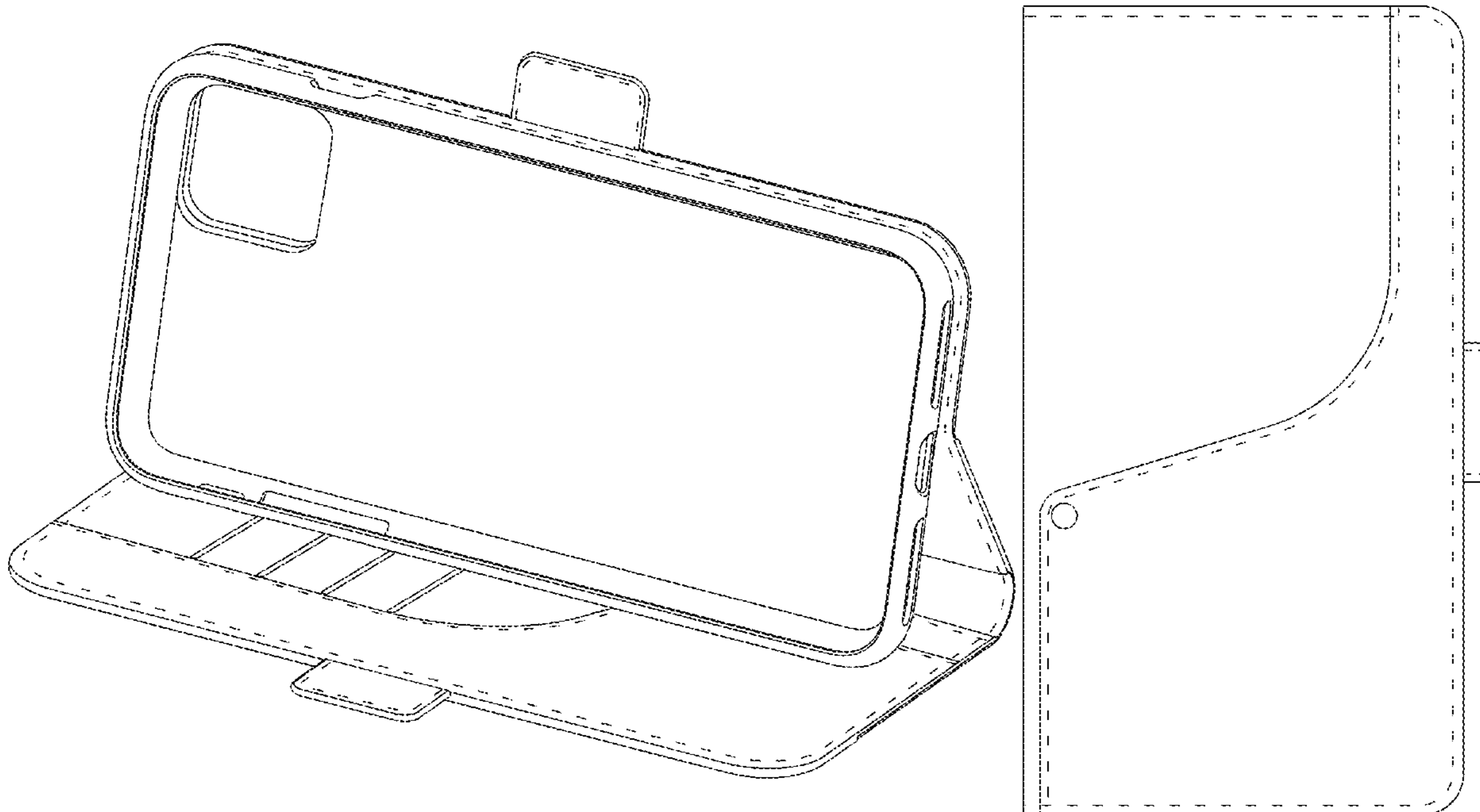
(57) **CLAIM**

I claim the ornamental design for a phone case, as shown and described.

DESCRIPTION

FIG. 1 is a front perspective view of a phone case showing my new design, shown in a partially open position;
 FIG. 2 is rear perspective view thereof;
 FIG. 3 is a front elevational view, shown in a closed position;
 FIG. 4 is rear elevational view thereof;
 FIG. 5 is a left side elevational view thereof;
 FIG. 6 is a right side elevational view thereof;
 FIG. 7 is a top plan view thereof;
 FIG. 8 is a bottom plan view thereof;
 FIG. 9 is a second rear elevational view thereof, shown in an open position; and,
 FIG. 10 is a second front elevational view thereof.
 The broken lines represent stitching, which forms a part of the claimed design.

1 Claim, 10 Drawing Sheets



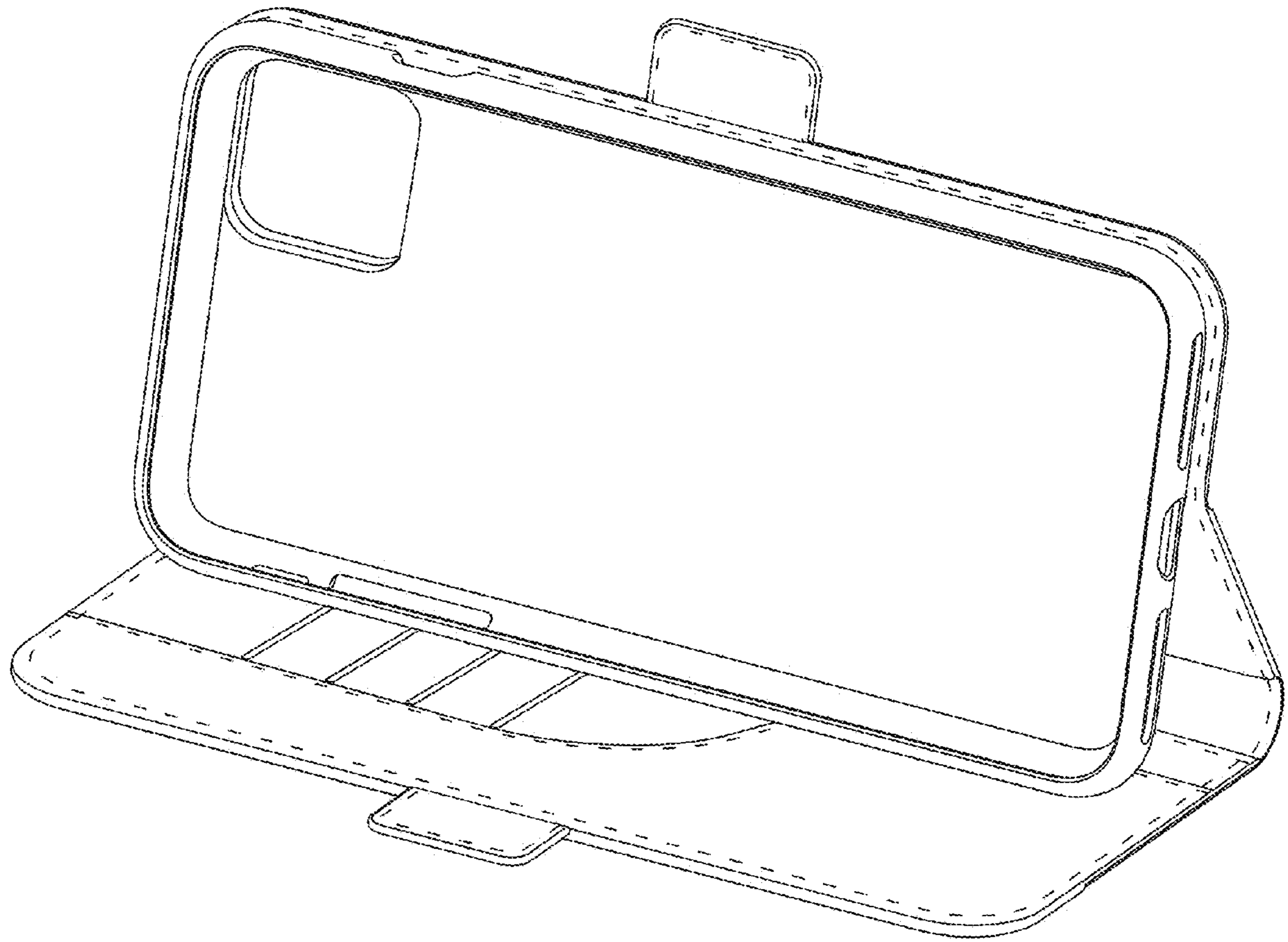


FIG. 1

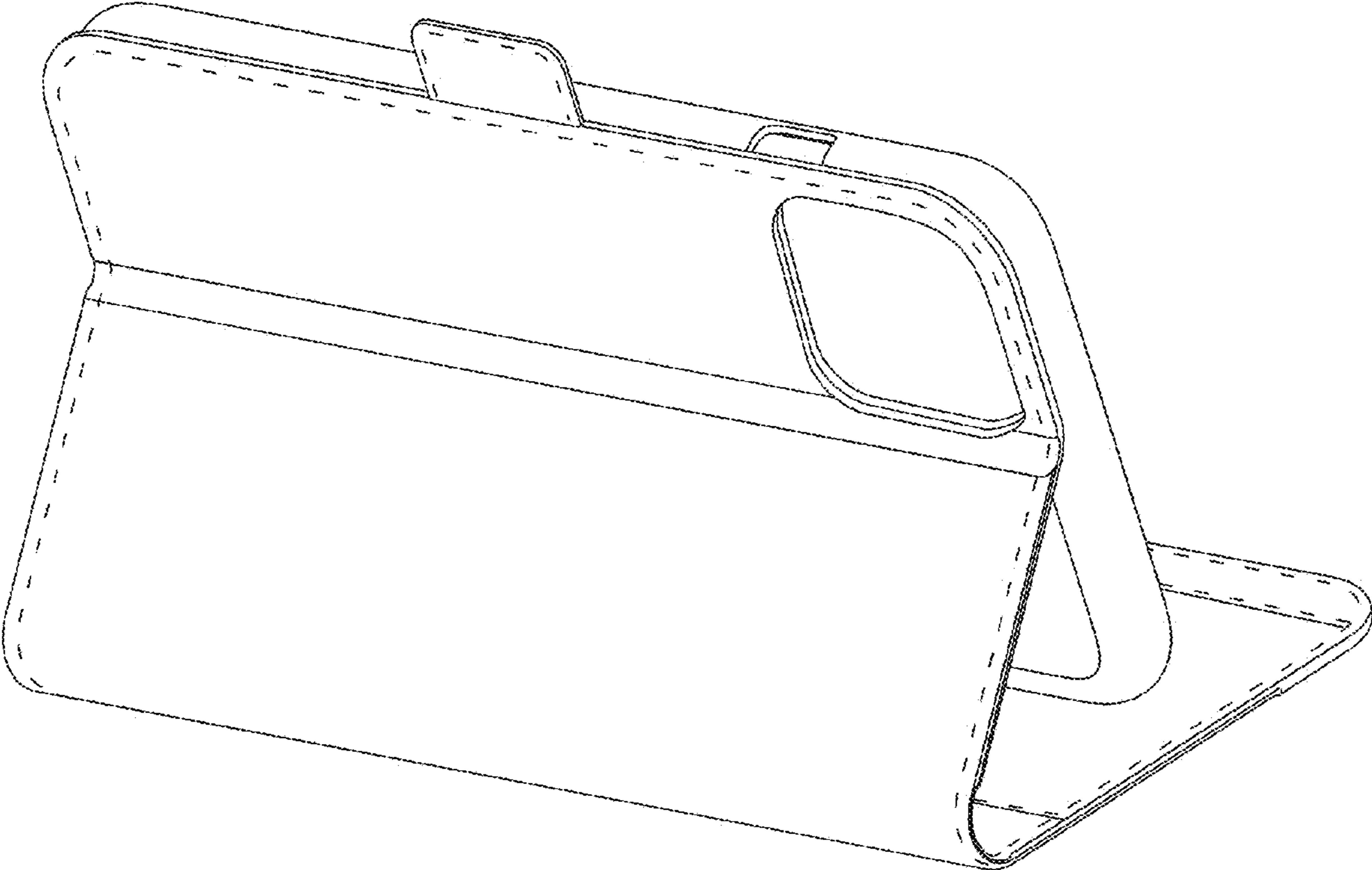


FIG. 2

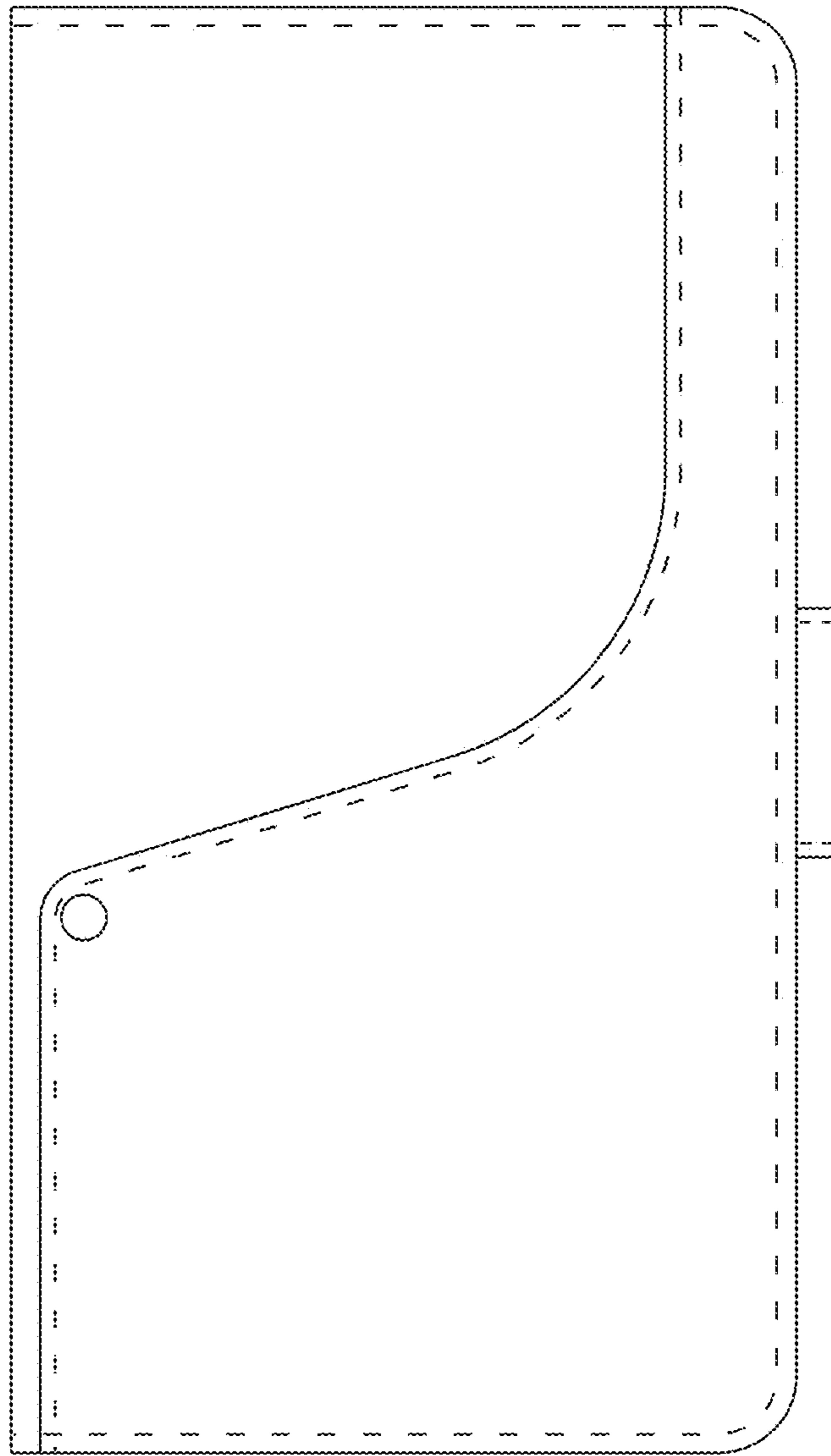


FIG. 3

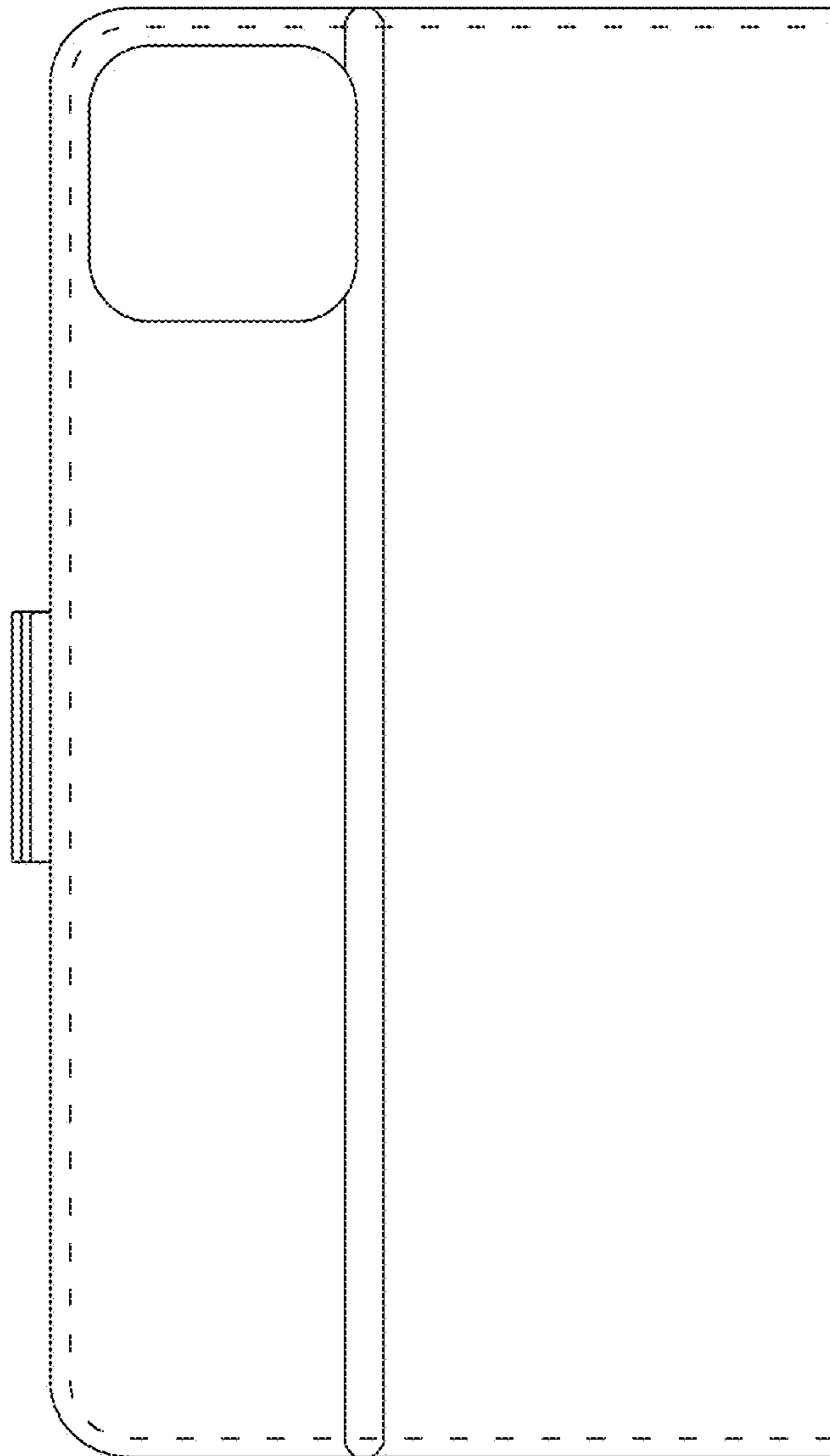


FIG. 4



FIG. 5

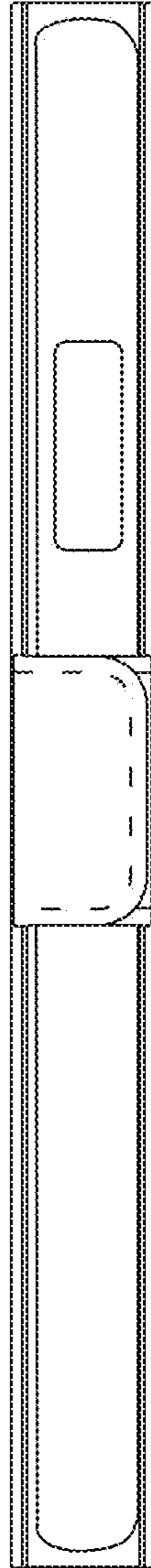


FIG. 6



FIG. 7

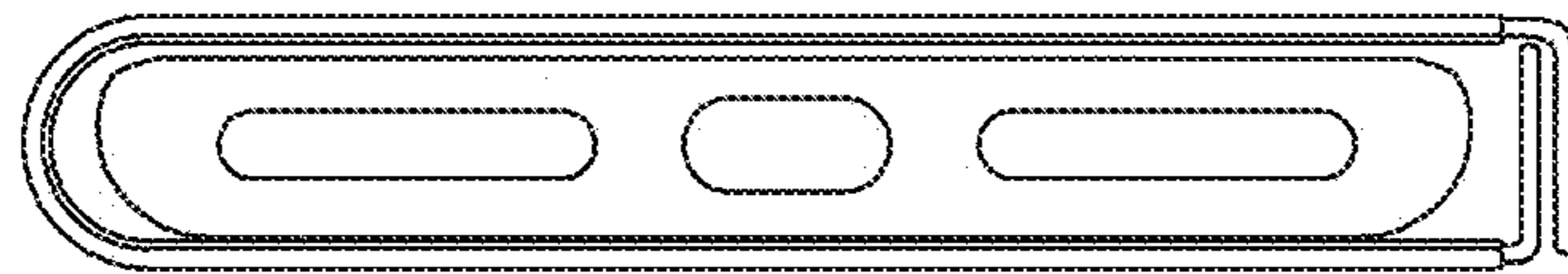


FIG. 8

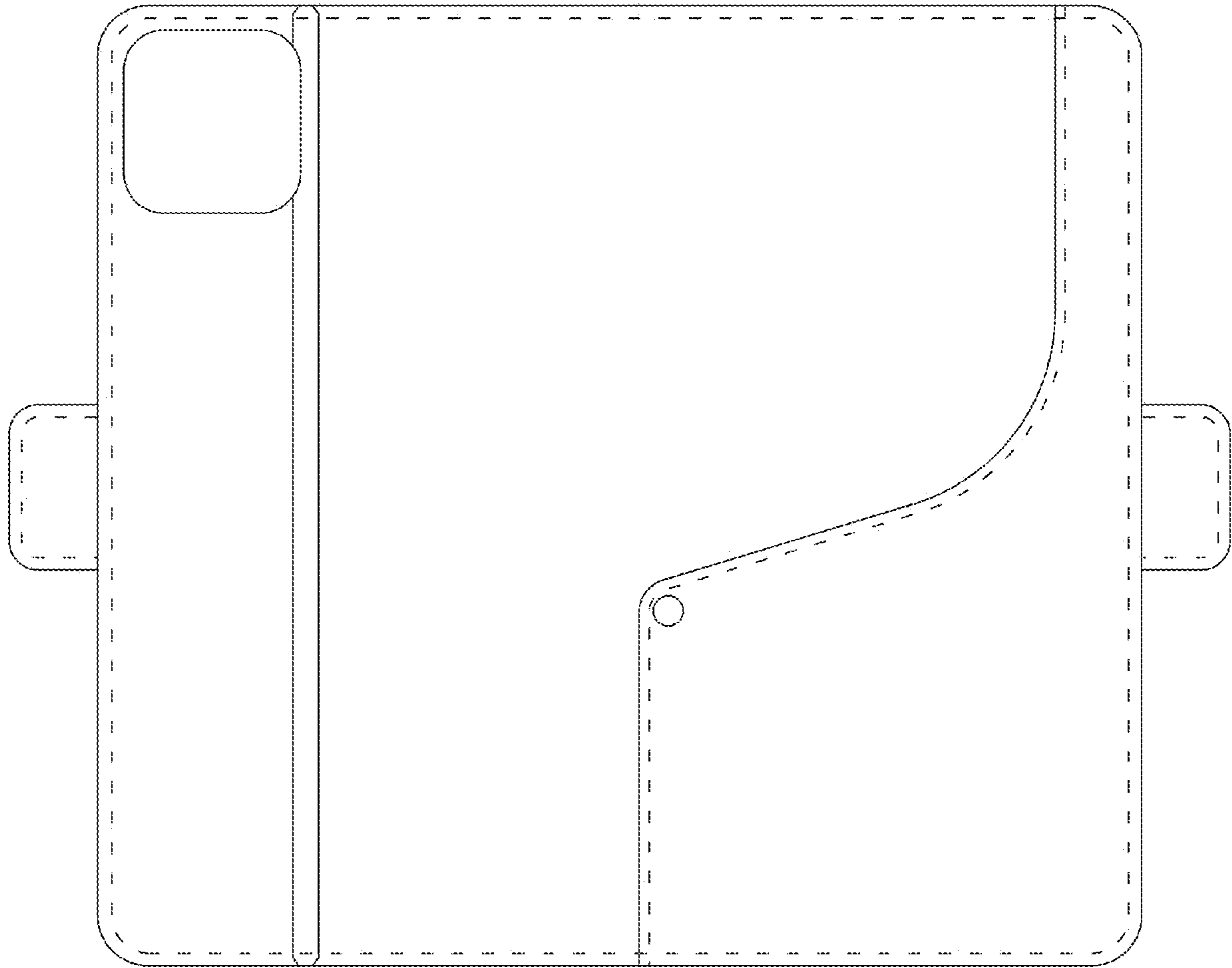


FIG. 9

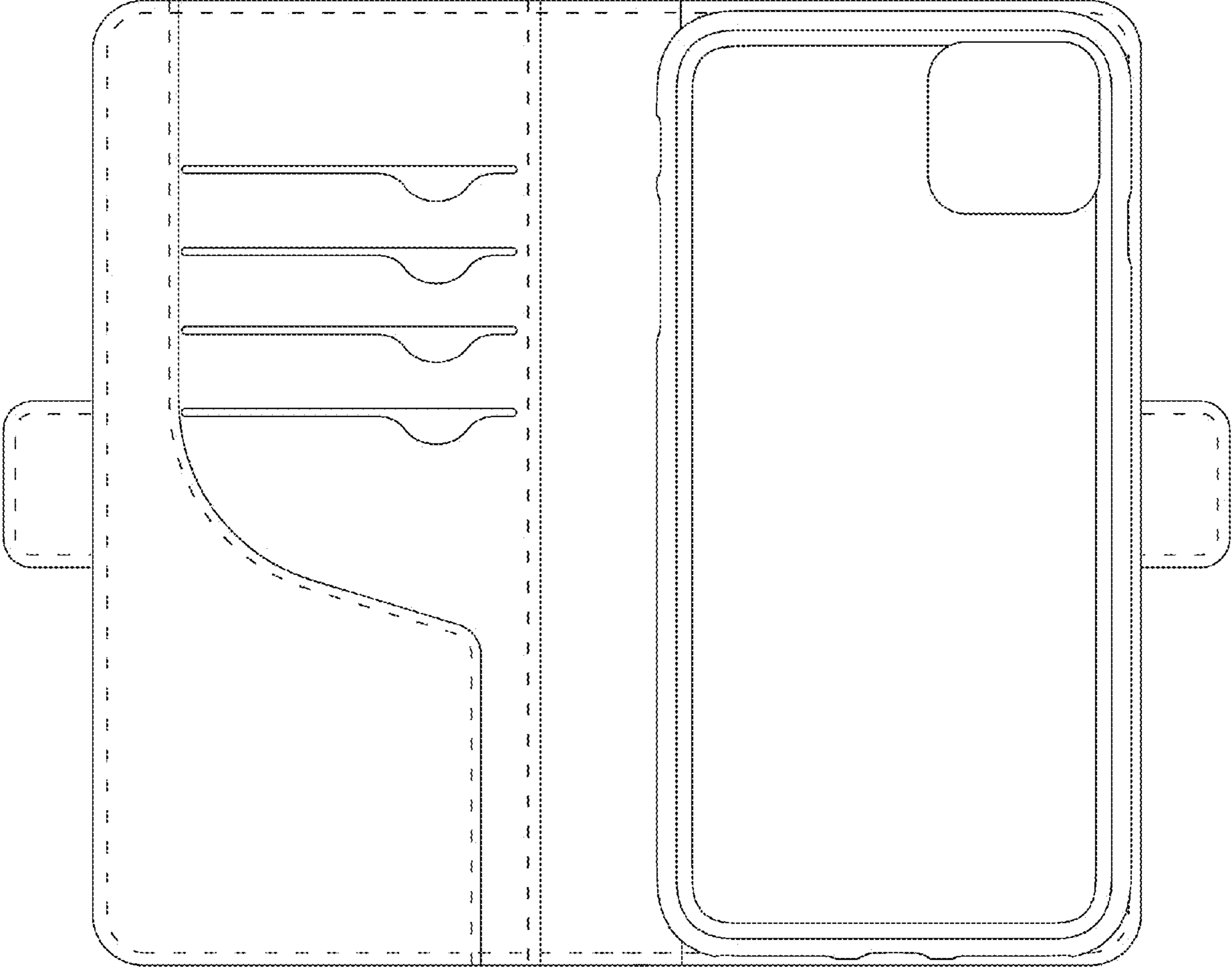


FIG. 10