



US00D973044S

(12) **United States Design Patent** (10) **Patent No.:** **US D973,044 S**  
**Darias et al.** (45) **Date of Patent:** **\*\* Dec. 20, 2022**

(54) **PHONE COVER**

H04R 1/403; H04R 1/406; H04N 7/14;  
H04N 7/142; H04N 7/147; A63H 33/30;  
A63H 33/3016

(71) Applicant: **Desk Phone Designs, Inc.**, Brandon,  
FL (US)

See application file for complete search history.

(72) Inventors: **Ernie Darias**, Brandon, FL (US);  
**Jamie Wood**, Brandon, FL (US)

(56) **References Cited**

(\*\*) Term: **15 Years**

U.S. PATENT DOCUMENTS

(21) Appl. No.: **29/727,819**

D269,512 S *	6/1983	Goldberg	.....	D14/247
D750,591 S *	3/2016	Katori	.....	D14/149
D771,005 S *	11/2016	Tani	.....	D14/257
9,860,351 B1 *	1/2018	Darias	.....	H04M 1/02
D865,701 S *	11/2019	Tani	.....	D14/151
D894,186 S *	8/2020	Potts	.....	D14/393
D910,589 S *	2/2021	Taniguchi	.....	D14/151

(22) Filed: **Mar. 13, 2020**

(51) **LOC (13) Cl.** ..... **14-03**

(52) **U.S. Cl.**  
USPC ..... **D14/240**; D14/250

(Continued)

(58) **Field of Classification Search**

OTHER PUBLICATIONS

USPC ..... D14/432-343, 357, 344, 140, 496, 401,  
D14/435, 474, 483, 209.1, 137, 138,  
D14/158-160, 356, 203.1-203.8, 507,  
D14/155, 160-172, 212-218, 257, 258,  
D14/341, 346, 299, 266, 358, 454-445,  
D14/192, 221, 127-130, 211, 240, 243,  
D14/247-249, 250-251, 329, 455, 206,  
D14/204, 188, 147-151, 144, 142, 141.1,  
D14/138 R, 138 AA, 138 AB, 138 G,  
D14/138 AD, 140.8; D3/215, 218, 904;  
D21/517, 333, 331, 566; D24/165, 185,  
D24/186; D18/1, 7; D10/104, 104.1,  
D10/106, 65, 78, 104.2, 70, 31-32,  
D10/38-38, 106.1, 106.3, 106.5;  
D13/168; D11/3-5, 12, 19, 25;  
D30/151-152

Transparent Phone Protectors, deskphonedesigns.com/, [online],  
[site visited Jul. 30, 2021], Available from internet URL: <https://www.deskphonedesigns.com/phone-protector/> (Year: 2021).\*

*Primary Examiner* — Samantha Q Lawrence

*Assistant Examiner* — Holly M Rodriguez

(74) *Attorney, Agent, or Firm* — Larson & Larson; Justin  
P. Miller; Frank Liebenow

CPC ..... H04M 1/00; H04M 1/026; H04M 1/04;  
H04M 1/6033; H04M 1/6041; H04M  
3/02; H04M 3/005; H04M 3/56; H04M  
3/564; H04M 3/568; H04M 9/02; H04M  
9/022; H04M 9/08; H04M 1/003; H04M  
1/03; H04M 1/0202; H04M 1/0295;  
H04M 1/0297; H04M 1/20; H04M 1/21;  
H04M 1/22; H04M 1/23; H04M 1/233;  
H04M 1/236; H04M 1/0289; H04M  
1/0214; H04M 1/253; H04M 1/2535;  
H04M 7/006; H04R 1/00; H04R 1/02;

(57) **CLAIM**

We claim the ornamental design for a phone cover, as shown  
and described.

**DESCRIPTION**

FIG. 1 is a perspective view of a phone cover showing my  
new design;

FIG. 2 is a bottom plan view thereof;

FIG. 3 is a top plan view thereof;

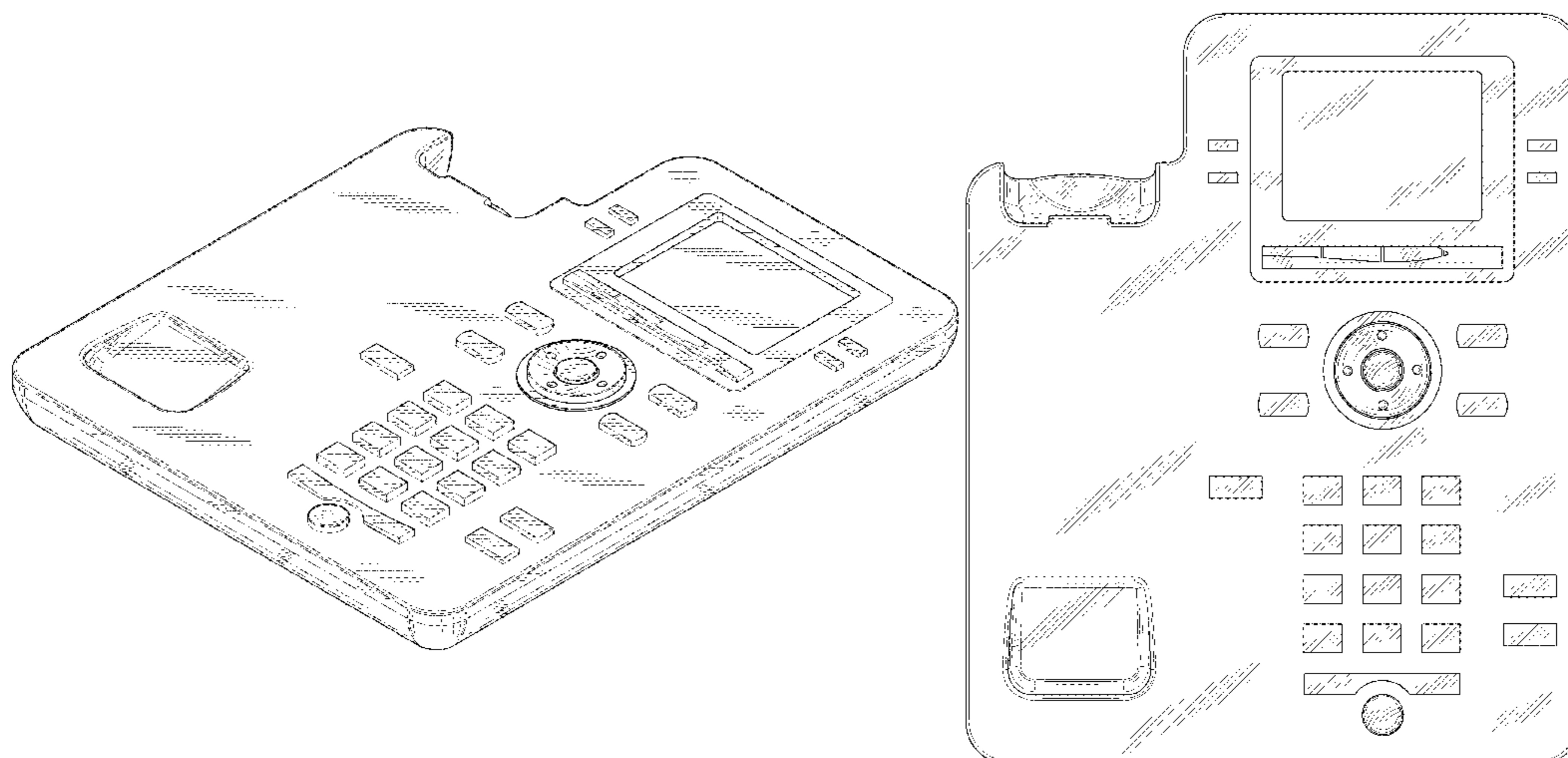
FIG. 4 is a left-side elevation view thereof;

FIG. 5 is a right-side elevation view thereof;

FIG. 6 is a front elevation view thereof; and,

FIG. 7 is a back elevation thereof.

**1 Claim, 5 Drawing Sheets**



(56)

**References Cited**

U.S. PATENT DOCUMENTS

D931,251 S *	9/2021	Darias .....	D14/140
D932,454 S *	10/2021	Darias .....	D14/140
2008/0043995 A1 *	2/2008	O'Shea .....	H04M 9/08 379/388.06

\* cited by examiner

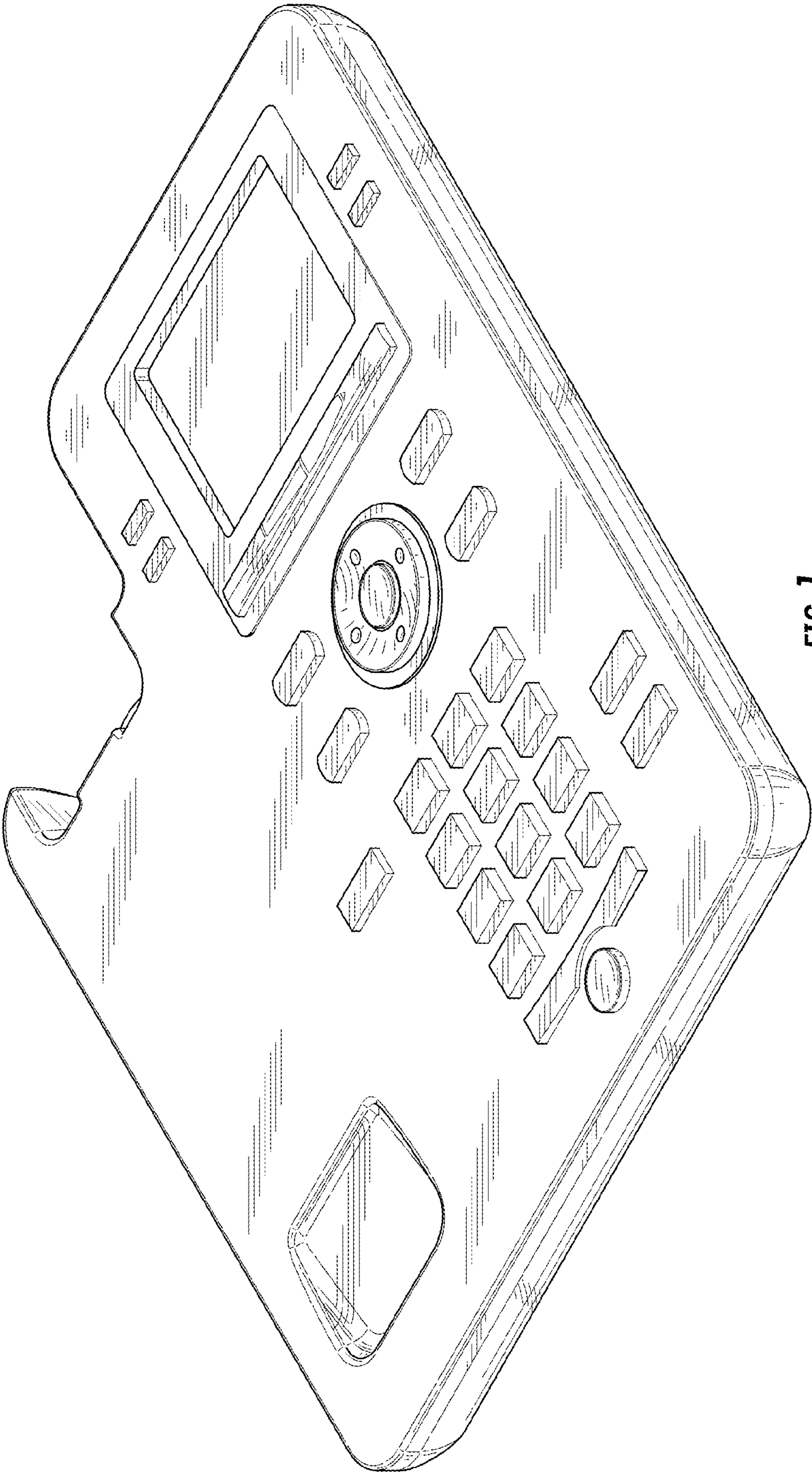
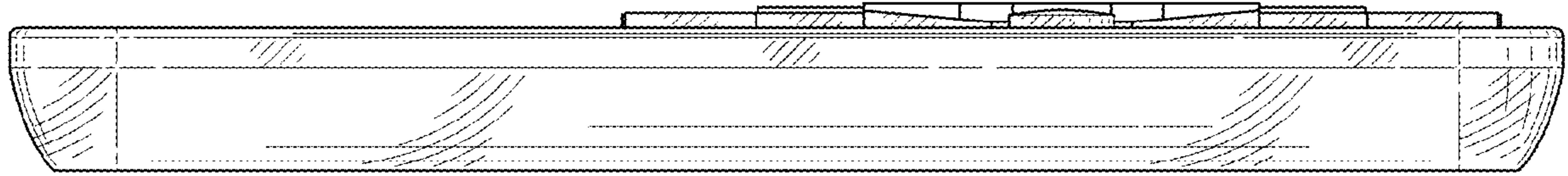
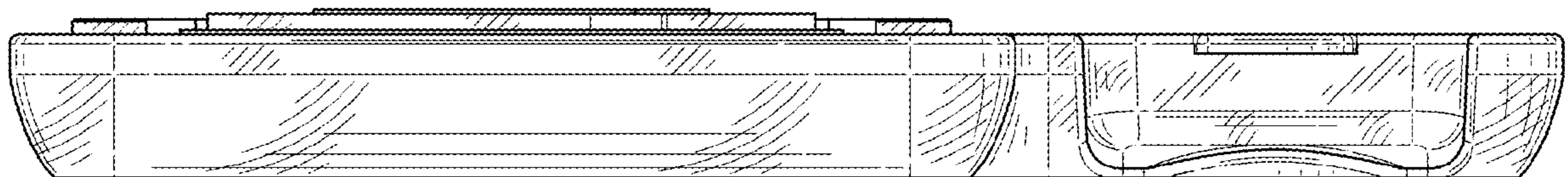


FIG. 1





**FIG. 2**



**FIG. 3**

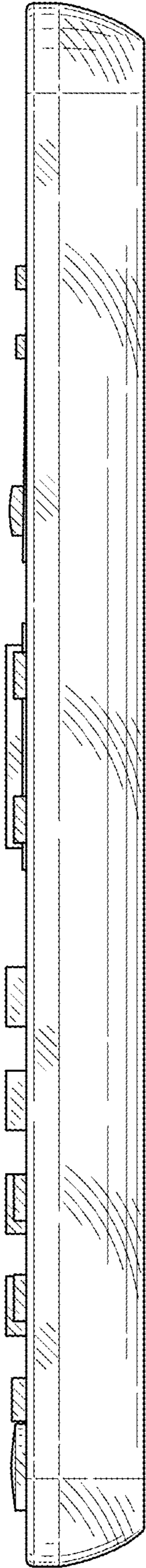


FIG. 4

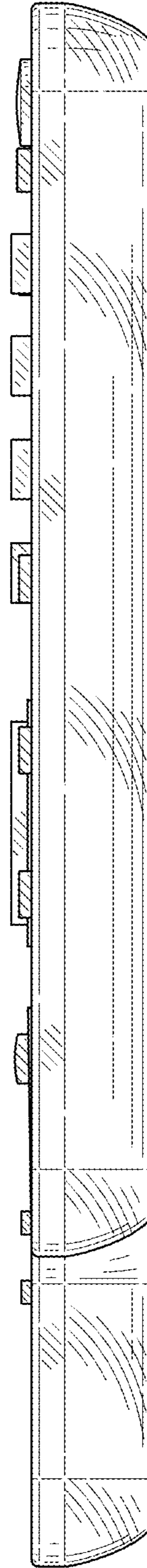


FIG. 5

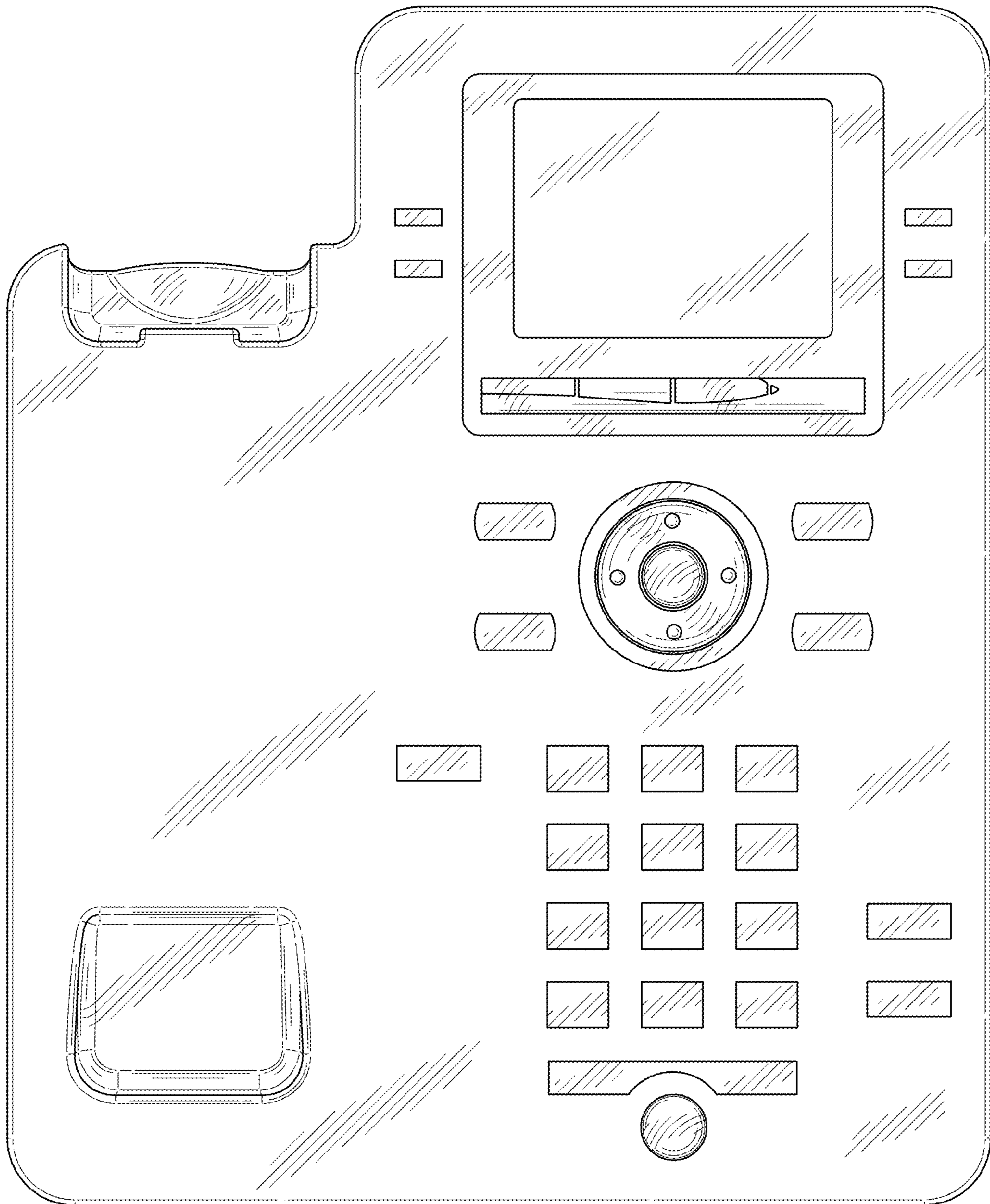


FIG. 6

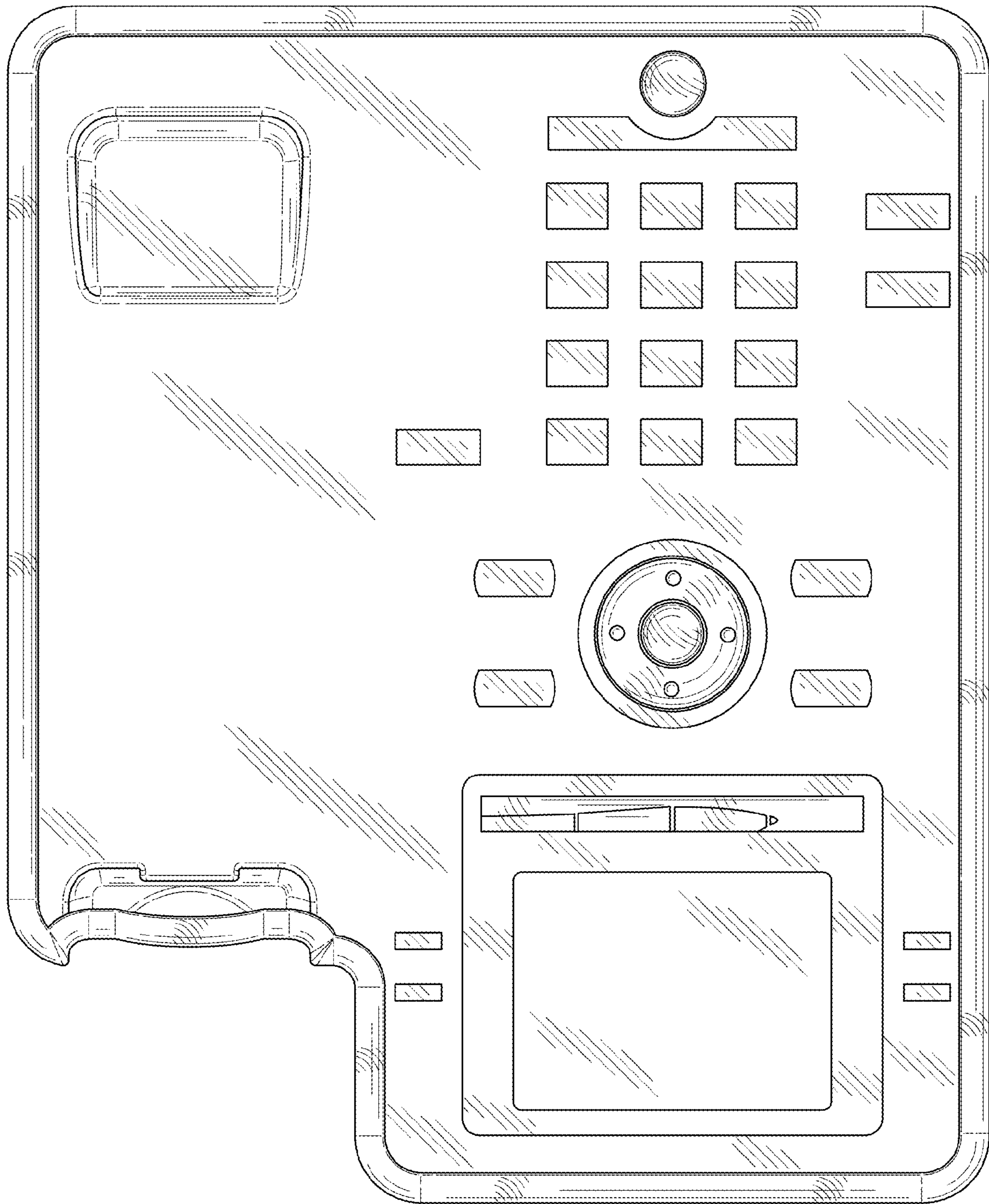


FIG. 7