



US00D973042S

(12) **United States Design Patent**
Ono et al.

(10) **Patent No.:** **US D973,042 S**
(45) **Date of Patent:** **** Dec. 20, 2022**

(54) **ANGLE ADJUSTER FOR ANTENNA-FIXING BRACKET**

(71) Applicants: **NEC Platforms, Ltd.**, Kawasaki (JP);
TOCHIGIYA CO., LTD., Tokyo (JP)

(72) Inventors: **Satoko Ono**, Kawasaki (JP); **Takeshi Ohashi**, Tokyo (JP)

(73) Assignees: **NEC PLATFORMS, LTD.**, Kawasaki (JP); **TOCHIGIYA CO., LTD.**, Tokyo (JP)

(**) Term: **15 Years**

(21) Appl. No.: **29/752,906**

(22) Filed: **Sep. 29, 2020**

(30) **Foreign Application Priority Data**

Mar. 31, 2020 (JP) 2020-006231

(51) **LOC (13) Cl.** **14-03**

(52) **U.S. Cl.**
USPC **D14/238**

(58) **Field of Classification Search**
USPC D14/230–238, 344, 354, 299; D8/355,
D8/359, 254–255; D16/242
CPC H01Q 1/84; H01Q 13/10; H01Q 1/3258;
H01Q 21/30; H01Q 7/10; H01Q 9/285;
H01Q 19/30; H01Q 19/12; H01Q 1/38;
B23Q 3/105

See application file for complete search history.

(56) **References Cited**

U.S. PATENT DOCUMENTS

D157,170 S * 2/1950 Katz D8/355
D286,503 S * 11/1986 Bobrovniczky D13/139.7
D343,174 S * 1/1994 Watanabe D14/238
D435,763 S * 1/2001 Potter D8/359
6,484,987 B2 * 11/2002 Weaver F16M 11/2028
248/278.1
D495,713 S * 9/2004 Pfister D14/432

(Continued)

FOREIGN PATENT DOCUMENTS

CN 304044925 * 2/2017
CN 304556419 * 4/2018

(Continued)

OTHER PUBLICATIONS

Fosa Store, “Antenna Bracket 360- Angle Adjustable Bracket Stand . . . ” available at amazon.com, date first available Jan. 5, 2019, site visited Jul. 21, 2022, available at URL: <https://www.amazon.com/fosa-Antenna-Bracket-Adjustable-Vehicle/dp/B0797PQ7ZR> (Year: 2019).*

(Continued)

Primary Examiner — Daniel J Domino

Assistant Examiner — Samina Vieth

(74) *Attorney, Agent, or Firm* — Buchanan Ingersoll & Rooney PC

(57) **CLAIM**

The ornamental design for an angle adjuster for antenna-fixing bracket, as shown and described.

DESCRIPTION

FIG. 1 is a front, right side, bottom perspective view of an angle adjuster for antenna-fixing bracket showing our new design;

FIG. 2 is a front elevational view thereof;

FIG. 3 is a rear elevational view thereof;

FIG. 4 is a left side view thereof;

FIG. 5 is a right side view thereof;

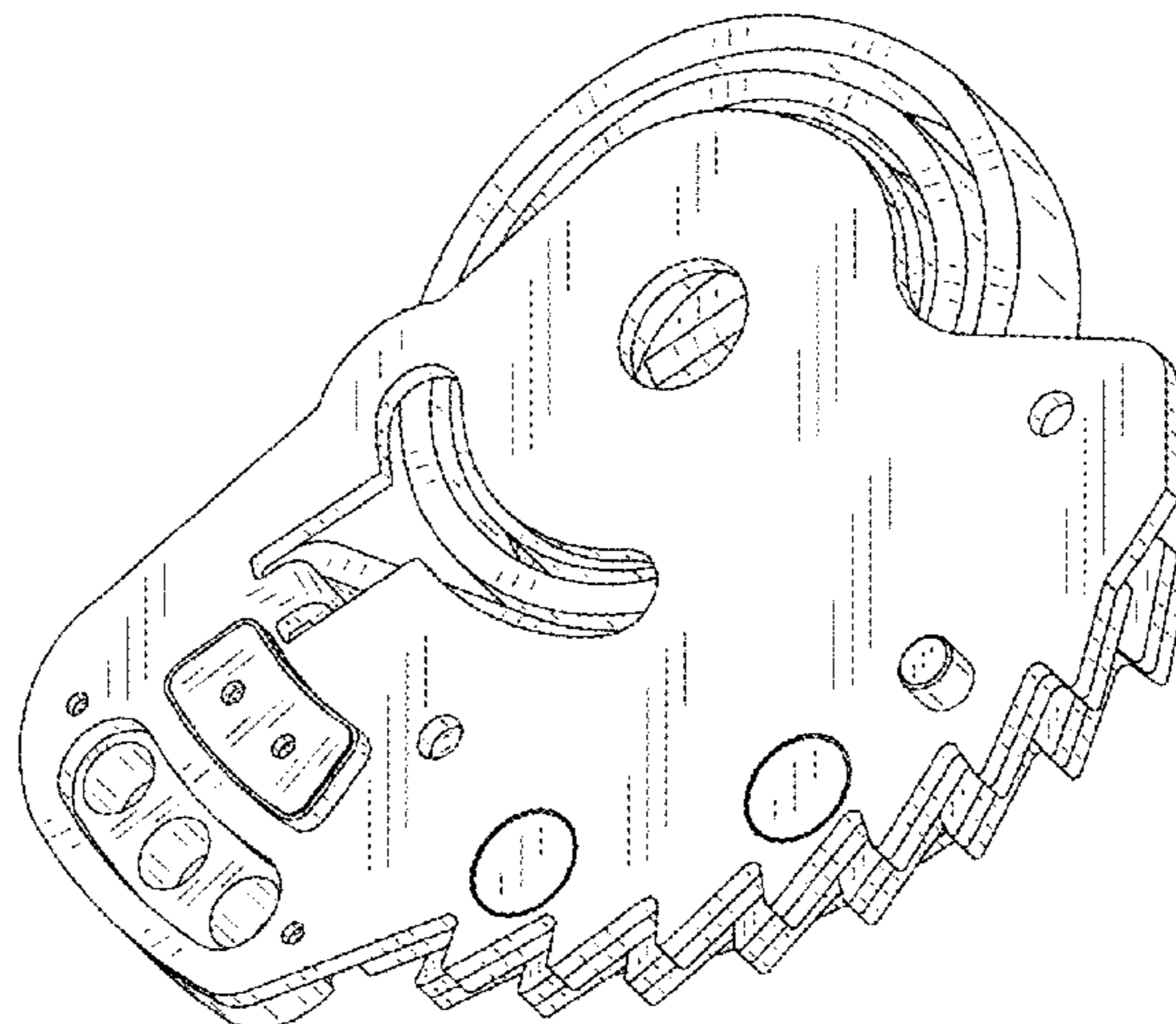
FIG. 6 is a top plan view thereof;

FIG. 7 is a bottom plan view thereof; and,

FIG. 8 is a reference rear elevational view thereof, showing a state in which this article is attached to an angle adjuster part of an antenna-fixing bracket.

The broken lines showing environmental subject matter form no part of the claimed design.

1 Claim, 7 Drawing Sheets



(56)

References Cited

U.S. PATENT DOCUMENTS

8,339,329	B2 *	12/2012	Shen	H01Q 1/125 343/882
D730,331	S *	5/2015	Wong	D8/355
D843,358	S *	3/2019	Davis	D14/238
D857,481	S *	8/2019	Lentine	D8/354
D952,616	S *	5/2022	Ono	D14/238
2008/0165076	A1 *	7/2008	Pan	H01Q 1/125 343/882
2008/0314696	A1 *	12/2008	Blanchard	F16D 63/00 188/72.7

FOREIGN PATENT DOCUMENTS

JP		D122553	*	10/2004
JP		D1611084	*	8/2018
KR		301053778.0000	*	4/2020

OTHER PUBLICATIONS

Southwest Antennas, "Antenna Mounting Bracket Assembly . . .", available at southwestantennas.com, oldest date available Nov. 17,

2021, site visited Jul. 21, 2022, available at URL: <https://www.southwestantennas.com/antenna-mounting-kits/pipe-mount-brackets/1070-058> (Year: 2021).*

Right Channel Radios, "Adjustable Universal Hoot Mount," available at rightchannelradios.com, oldest review date Oct. 14, 2008, site visited Jul. 21, 2022 available at URL: <https://www.rightchannelradios.com/products/adjustable-universal-hood-mount-pl-259> (Year: 2008).*

RV with Tito DIY, "DIY Adjustable Antenna Mount . . ." available at youtube.com, published on May 11, 2017, site visited Jul. 21, 2022, available at URL: <https://www.youtube.com/watch?v=3s44z3fzJsA> (Year: 2017).*

Yeceny, "Adjustable Attic Outdoor Antenna Mounting Pole . . ." available at amazon.com, oldest date available Mar. 13, 2022, site visited Jul. 21, 2022, available at URL: <https://a.co/d/6CnC6YB> (Year: 2022).*

Trick Tools, "Angle Finder III" available at trick-tools.com, oldest review date Oct. 17, 2017, site visited Jul. 21, 2022, available at URL: https://www.trick-tools.com/Angle_Finder_III_AF3_18?gclid=EAIaIQobChMlvYDdtl2K-QIVQsmUCR0qgggyrEAsYDCABEgLLZPD_BwE (Year: 2017).*

* cited by examiner

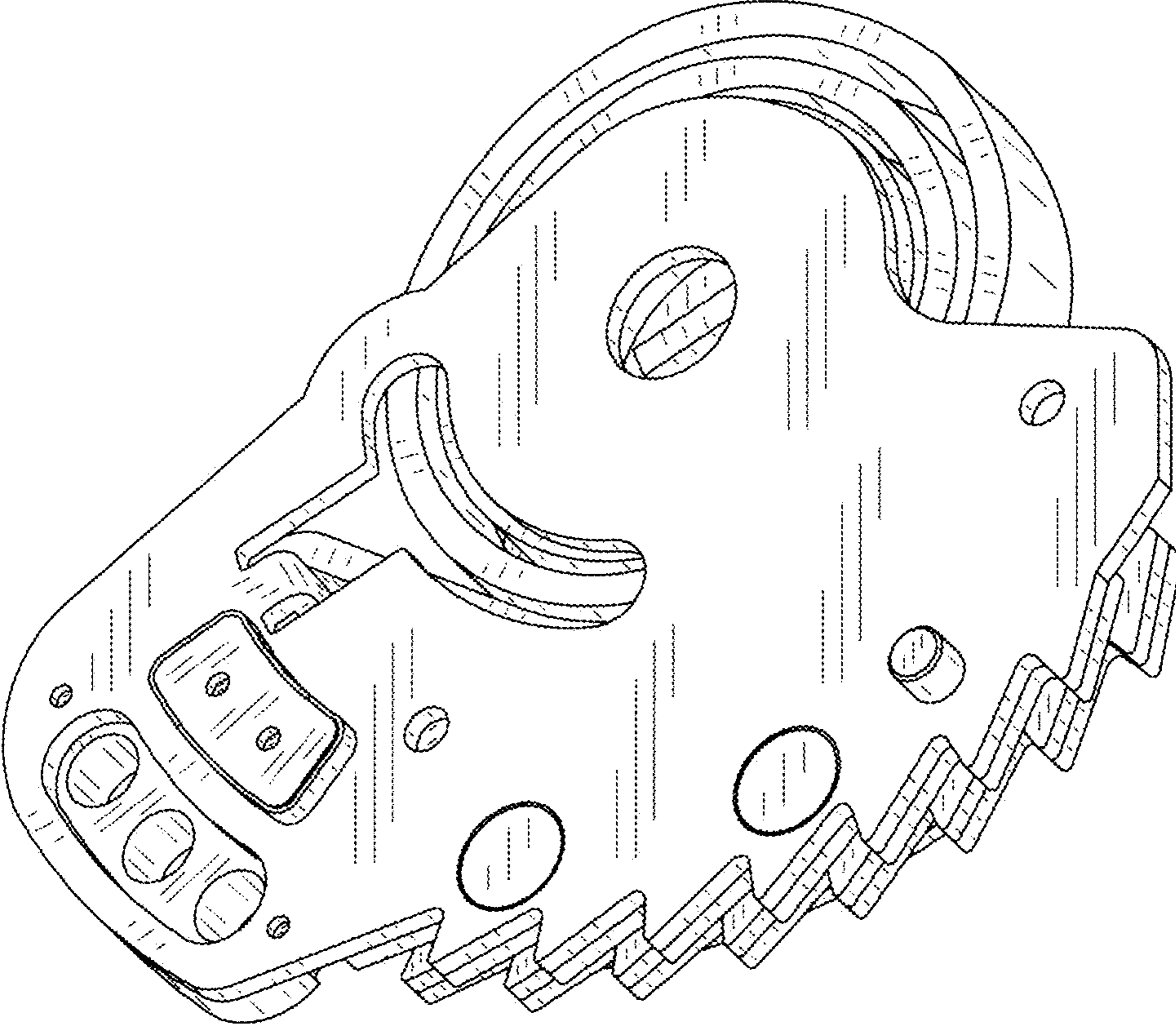


FIG. 1

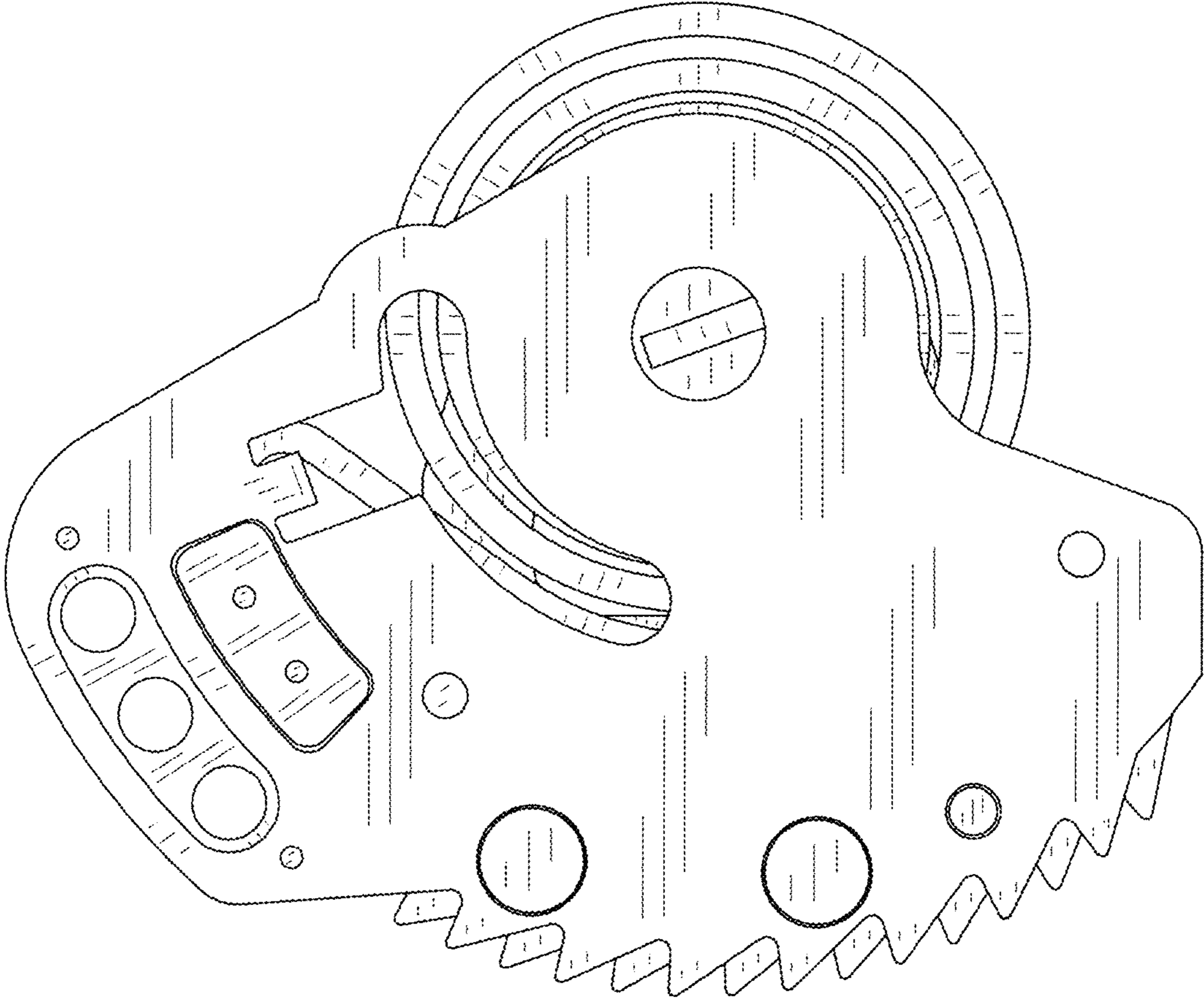


FIG. 2

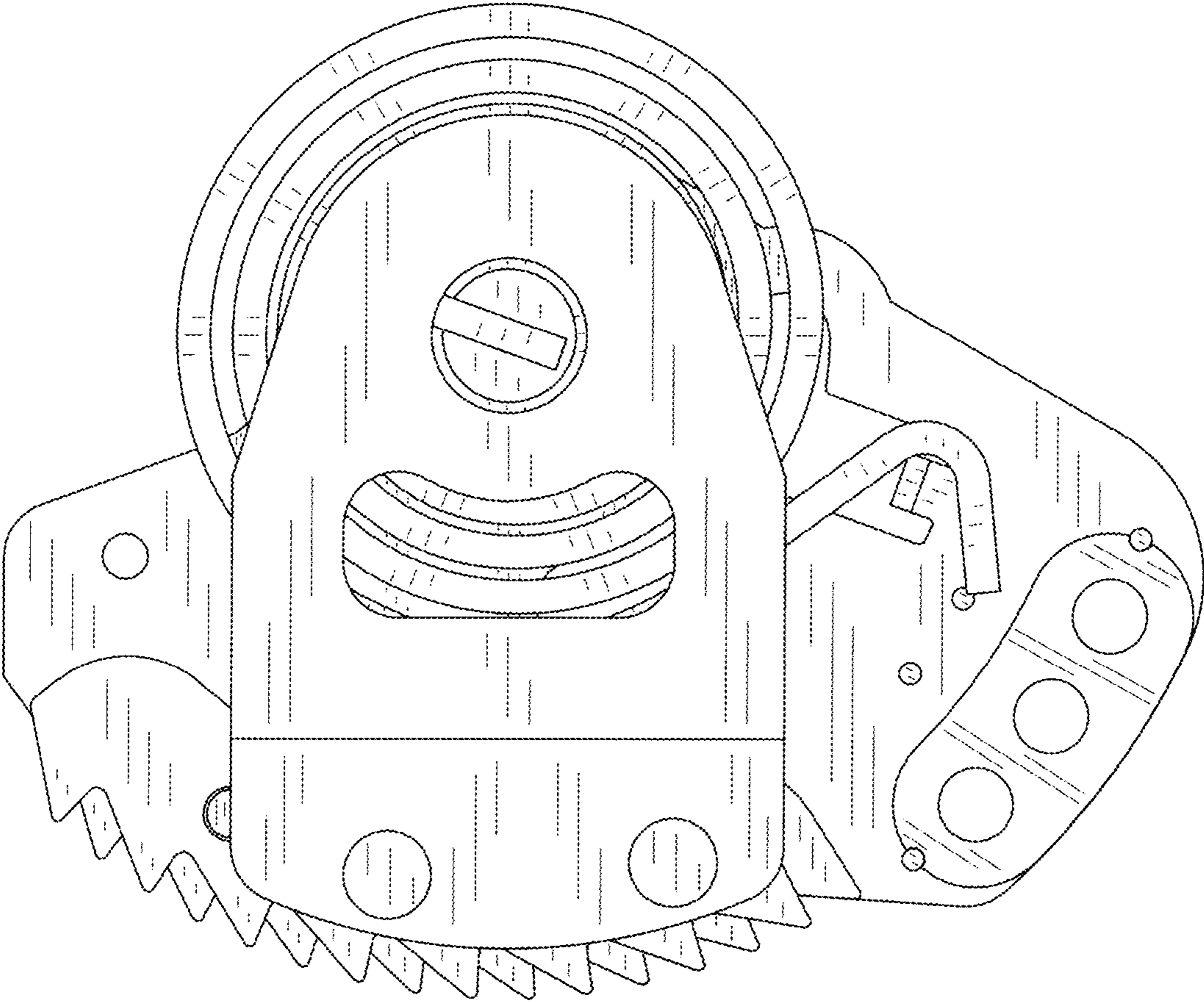


FIG. 3

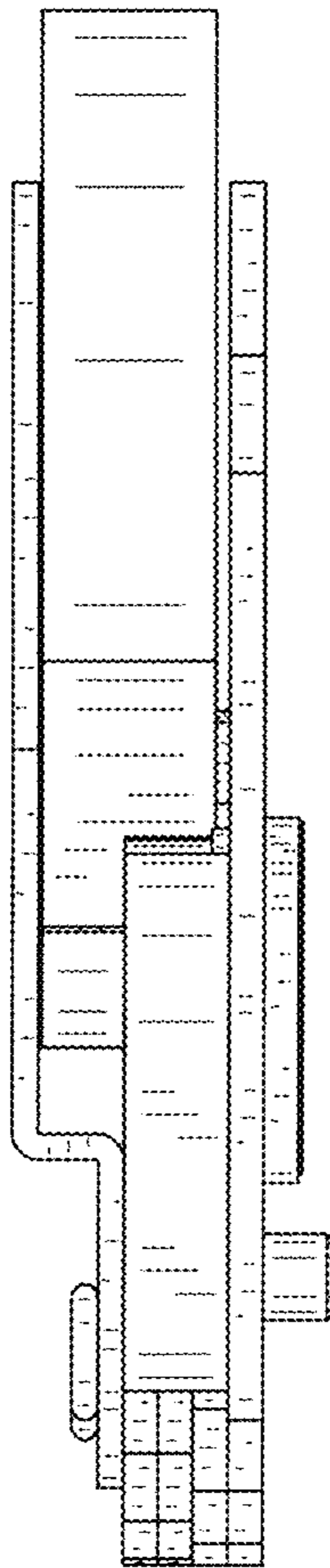


FIG. 4

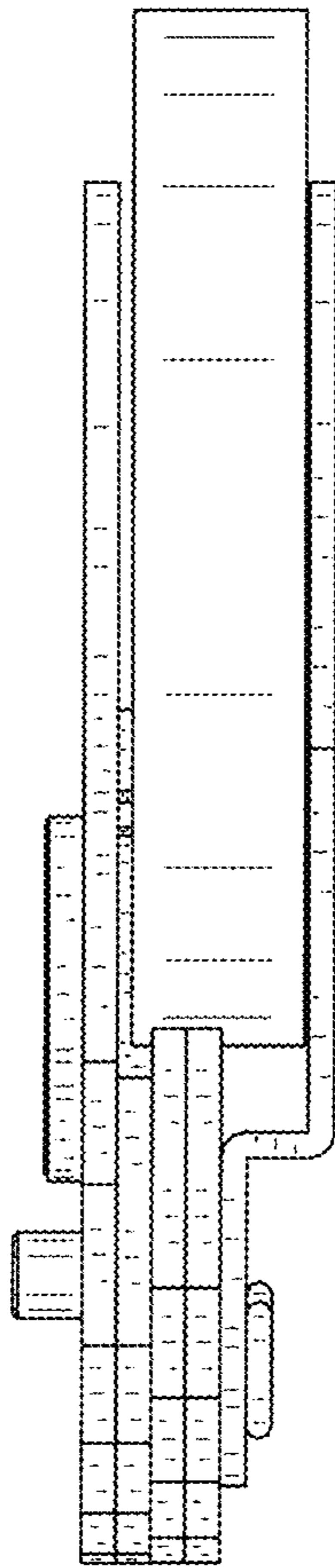


FIG. 5

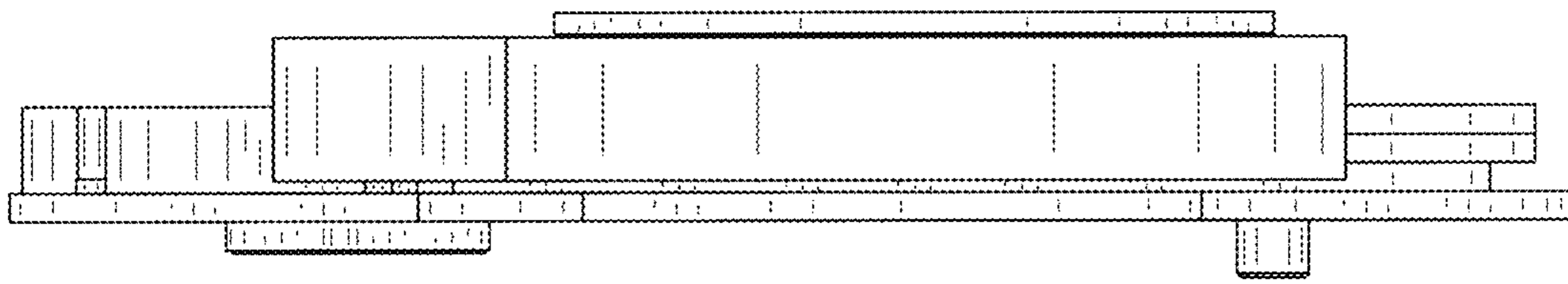


FIG. 6

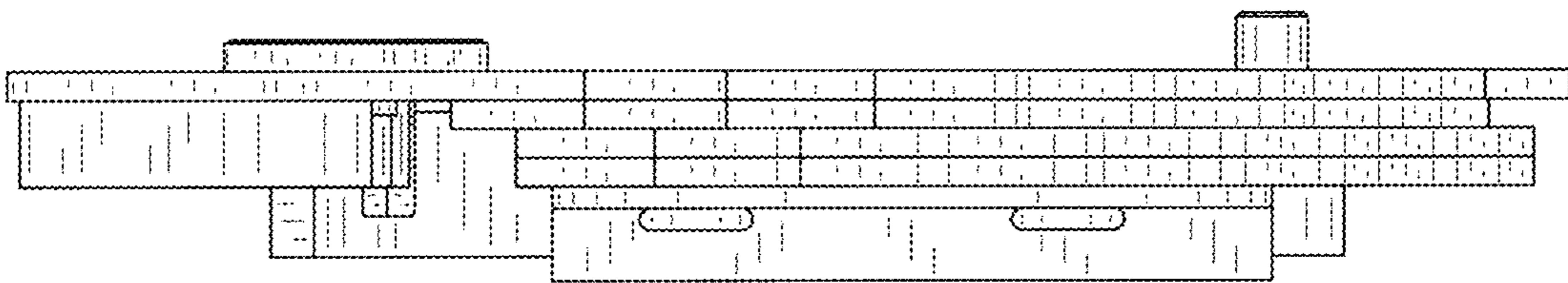


FIG. 7

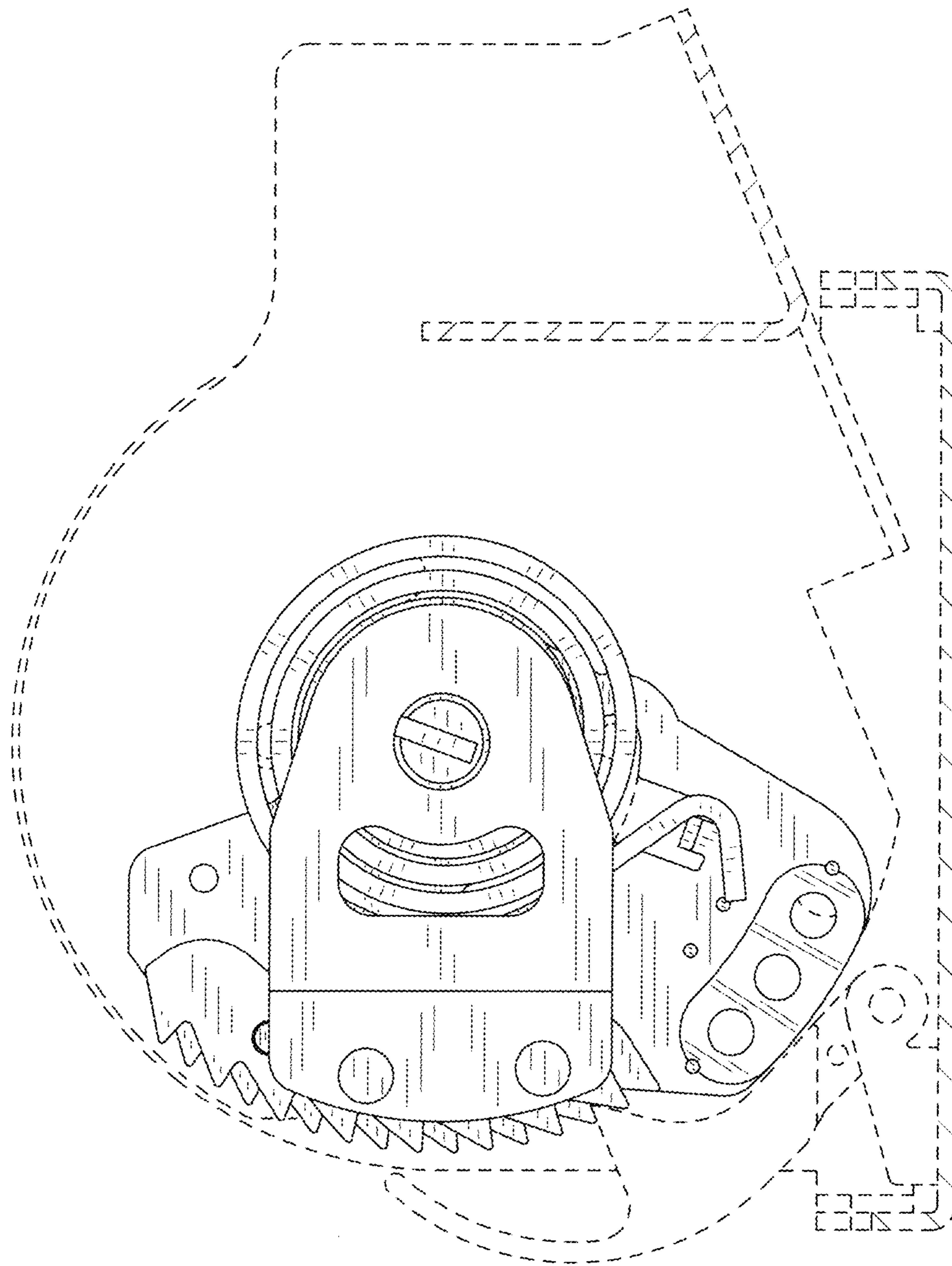


FIG. 8