



US00D973041S

(12) **United States Design Patent** (10) **Patent No.:** **US D973,041 S**
Larsen, II et al. (45) **Date of Patent:** **** Dec. 20, 2022**

(54) **ANTENNA**

(71) Applicant: **Channel Master, LLC**, Chandler, AZ (US)

(72) Inventors: **Anthony John Larsen, II**, Chandler, AZ (US); **Jose Ramon Binguocha, II**, Chandler, AZ (US)

(73) Assignee: **Channel Master, LLC**, Chandler, AZ (US)

(**) Term: **15 Years**

(21) Appl. No.: **29/776,454**

(22) Filed: **Mar. 30, 2021**

(51) **LOC (13) Cl.** **14-03**

(52) **U.S. Cl.**
USPC **D14/230**

(58) **Field of Classification Search**
USPC D14/230, 231-239; D8/302, 341, 331, D8/441; D23/324, 330, 393, 415, 323;
(Continued)

(56) **References Cited**

U.S. PATENT DOCUMENTS

2,471,256 A * 5/1949 Wintermute H01Q 19/10 D14/234
D202,624 S * 10/1965 Greenberg et al. D14/230
(Continued)

FOREIGN PATENT DOCUMENTS

CN 301090638 * 12/2009
CN 301104908 * 1/2010
(Continued)

OTHER PUBLICATIONS

Solid Signal, Xtreme Signal Long Range . . . , available at solidsignal.com, oldest review date Apr. 26, 2014, site visited Apr. 18, 2022, Available at URL: <https://bit.ly/3rFtJSC> (Year: 2014).*

(Continued)

Primary Examiner — Daniel J Domino

Assistant Examiner — Samina Vieth

(74) *Attorney, Agent, or Firm* — Baker Botts L.L.P.; Michael A. Sartori

(57) **CLAIM**

The ornamental design for an antenna, as shown and described.

DESCRIPTION

FIG. 1 is a left-front perspective view of the ornamental design for the antenna.

FIG. 1A is an enlarged perspective view of the antenna taken from FIG. 1.

FIG. 1B is an enlarged perspective view of the antenna taken from FIG. 1.

FIG. 1C is an enlarged perspective view of the antenna taken from FIG. 1.

FIG. 2 is a right-rear perspective view of the ornamental design for the antenna.

FIG. 2A is an enlarged perspective view of the antenna taken from FIG. 2.

FIG. 2B is an enlarged perspective view of the antenna taken from FIG. 2.

FIG. 2C is an enlarged perspective view of the antenna taken from FIG. 2.

FIG. 2D is an enlarged perspective view of the antenna taken from FIG. 2.

FIG. 3 is a front view of the ornamental design for the antenna.

FIG. 4 is a rear view of the ornamental design for the antenna.

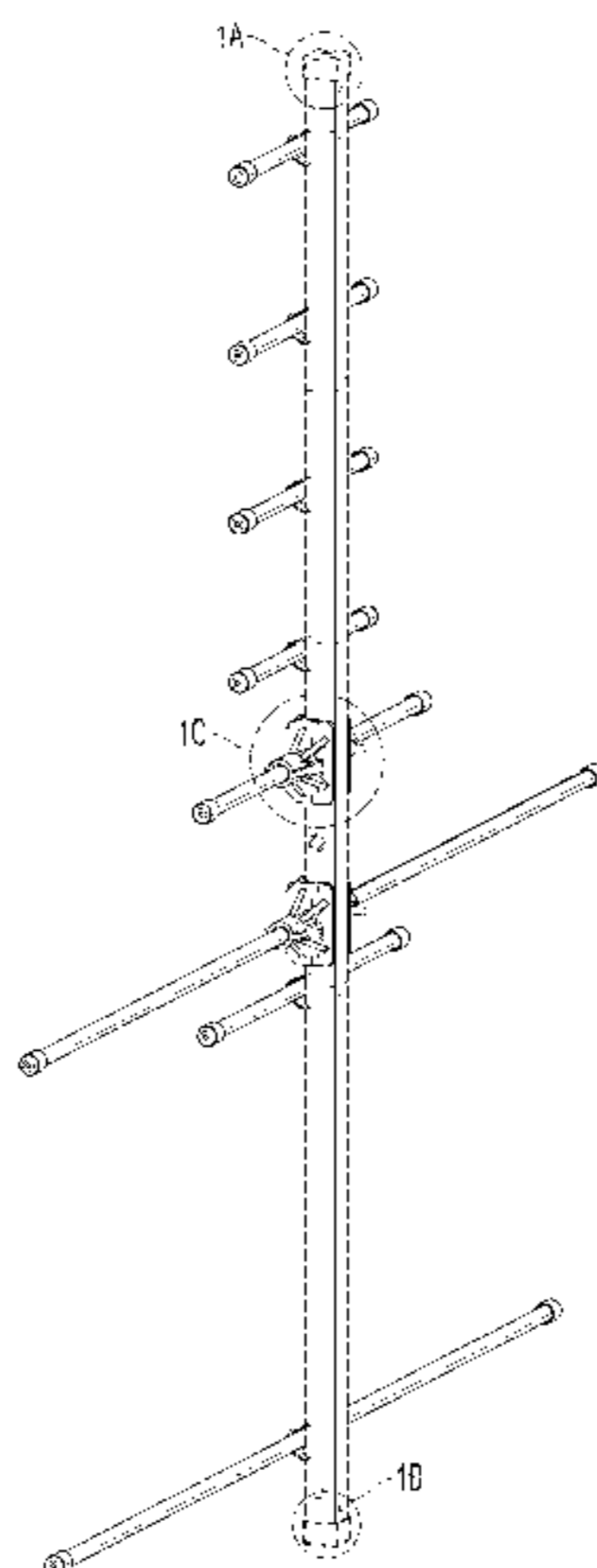
FIG. 5 is a left side view of the ornamental design for the antenna.

FIG. 6 is a right side view of the ornamental design for the antenna.

FIG. 7 is a top view of the ornamental design for the antenna; and,

FIG. 8 is a bottom view of the ornamental design for the antenna.

(Continued)



In these drawings, the features shown in broken lines depict environmental subject matter only and form no part of the claimed design.

1 Claim, 8 Drawing Sheets

(58) **Field of Classification Search**

USPC D25/41.1, 66, 119, 117, 123, 125, 128, D25/126, 127
 CPC H01Q 19/24; H01Q 11/125; H01Q 7/10; H01Q 1/10; H01Q 21/00; H01Q 9/265; H01Q 5/392; H01Q 9/30; H01Q 1/46; A61B 6/12
 See application file for complete search history.

(56) **References Cited**

U.S. PATENT DOCUMENTS

D213,968 S	*	4/1969	Callaghan	D14/234
D222,359 S	*	10/1971	Peterson	D14/234
D232,737 S	*	9/1974	Padilla et al.	D14/234
D330,936 S	*	11/1992	Dieterle	D23/419
D356,653 S	*	3/1995	McVicker	D25/127
D480,387 S	*	10/2003	Burns	H01Q 19/12 D14/230
D546,323 S	*	7/2007	Van Buren	D14/230
D760,425 S	*	6/2016	Seehof	D25/41.1
D842,281 S	*	3/2019	Taeger	D14/230
D863,268 S	*	10/2019	Archer	D14/230

FOREIGN PATENT DOCUMENTS

CN	307729460	*	2/2010
CN	305240689	*	7/2019
CN	306256049	*	12/2020
CN	306794899	*	8/2021
CN	307142107	*	3/2022

OTHER PUBLICATIONS

Winegard, 65 Mile Range Indoor/Outdoor HDTV Antenna, available at homedepot.com, oldest review date Jan. 54, 2017, site visited Apr. 18, 2022, Available at URL: <https://www.homedepot.com/p/Winegard-65-Mile-Range-Indoor-Outdoor-HDTV-Antenna-HD8200U/204701107?source=shoppingads&locale=en-US> (Year: 2017).*

Winegard, HD7694A Long Range Outdoor HDTV Antenna, available at amazon.com, date first available Mar. 22, 2021, site visited Apr. 18, 2022, Available at URL: https://www.amazon.com/dp/B08ZNV7VQ7/ref=cm_sw_em_r_mt_dp_A981YYS68B0V06R68GSD?_encoding=UTF8&pvc=1 (Year: 2021).*

McDuory Store, TV Outdoor Yagi Antenna with Long Range Reception . . . , available at amazon.com, date first available Jul. 1, 2019, site visited Apr. 18, 2022, available at URL: https://www.amazon.com/dp/B07JMDZZWM/ref=cm_sw_em_r_mt_dp_34WMBVKF170PG5CF3VYR (Year: 2019).*

GE Home Electrical Store, Supports 4K 1080P VHF UHF, Yagi Style Design . . . , available at amazon.com, date first available Jul. 20, 2016, site first visited Apr. 18, 2022, Available URL: https://www.amazon.com/dp/B01HSSAX0I/ref=cm_sw_em_r_mt_dp_8PZJMR6ZCWJC6DB2JK5S (Year: 2016).*

* cited by examiner

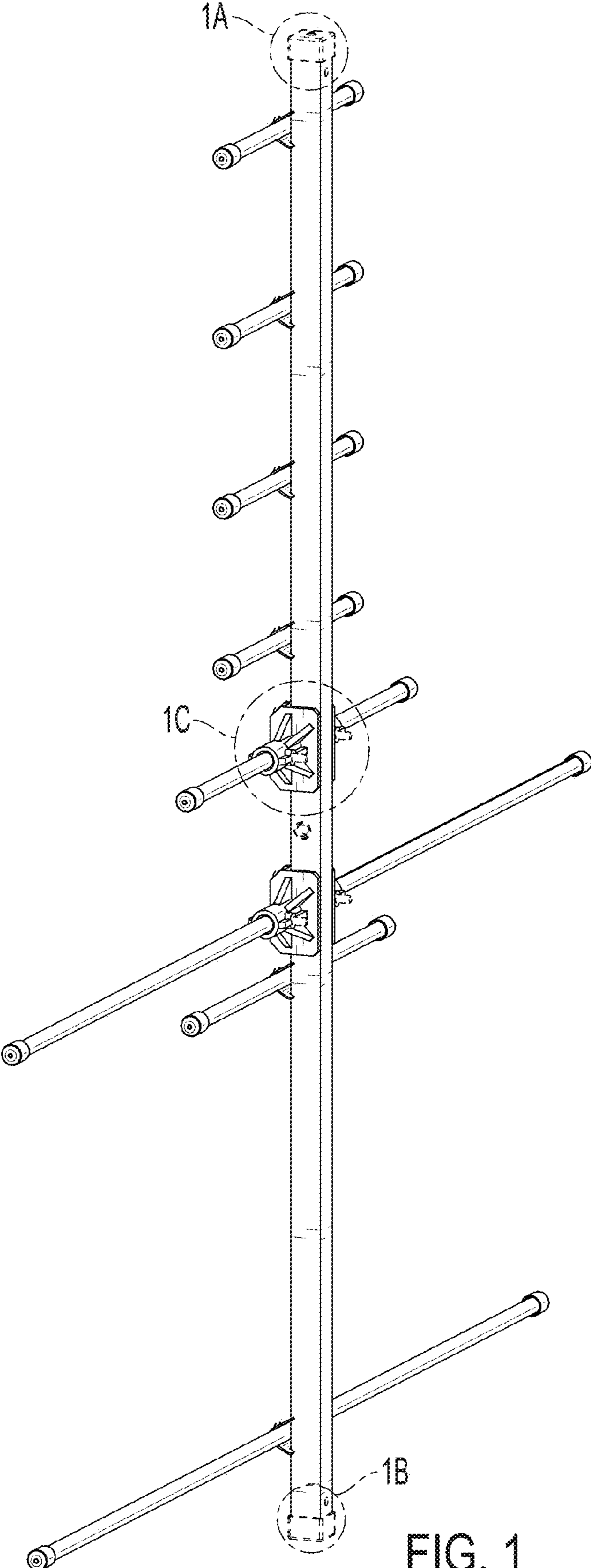


FIG. 1

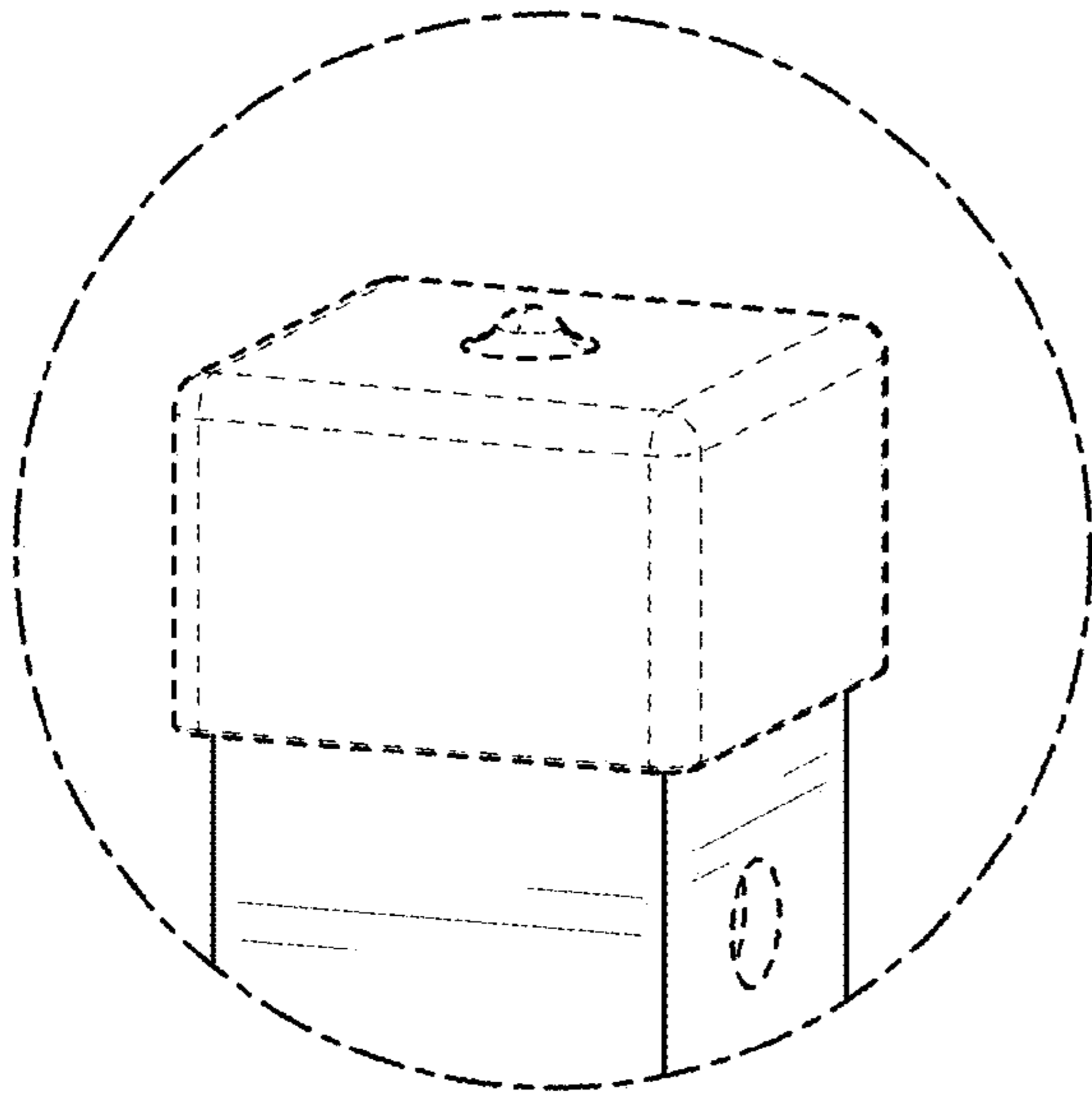


FIG. 1A

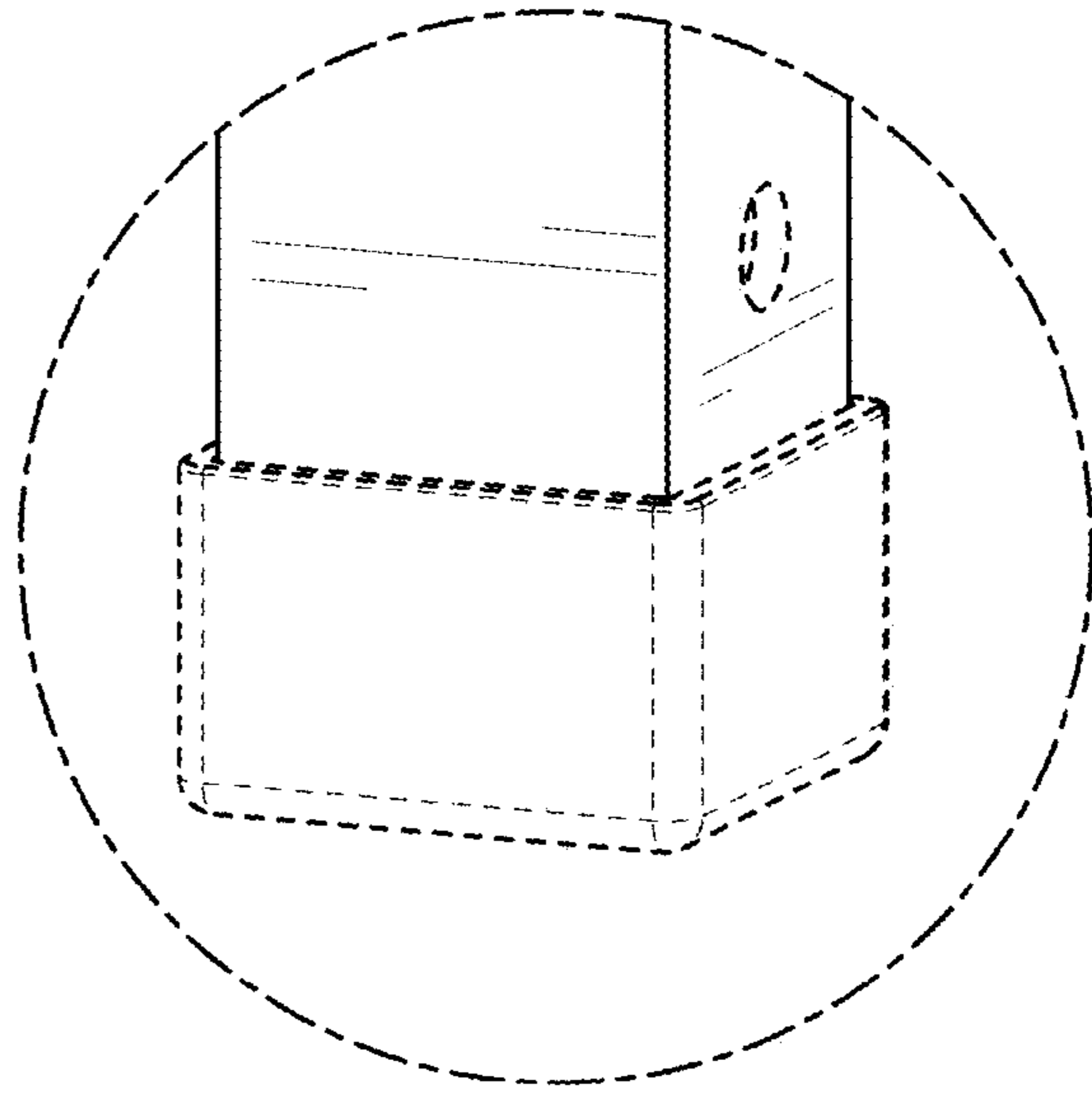


FIG. 1B

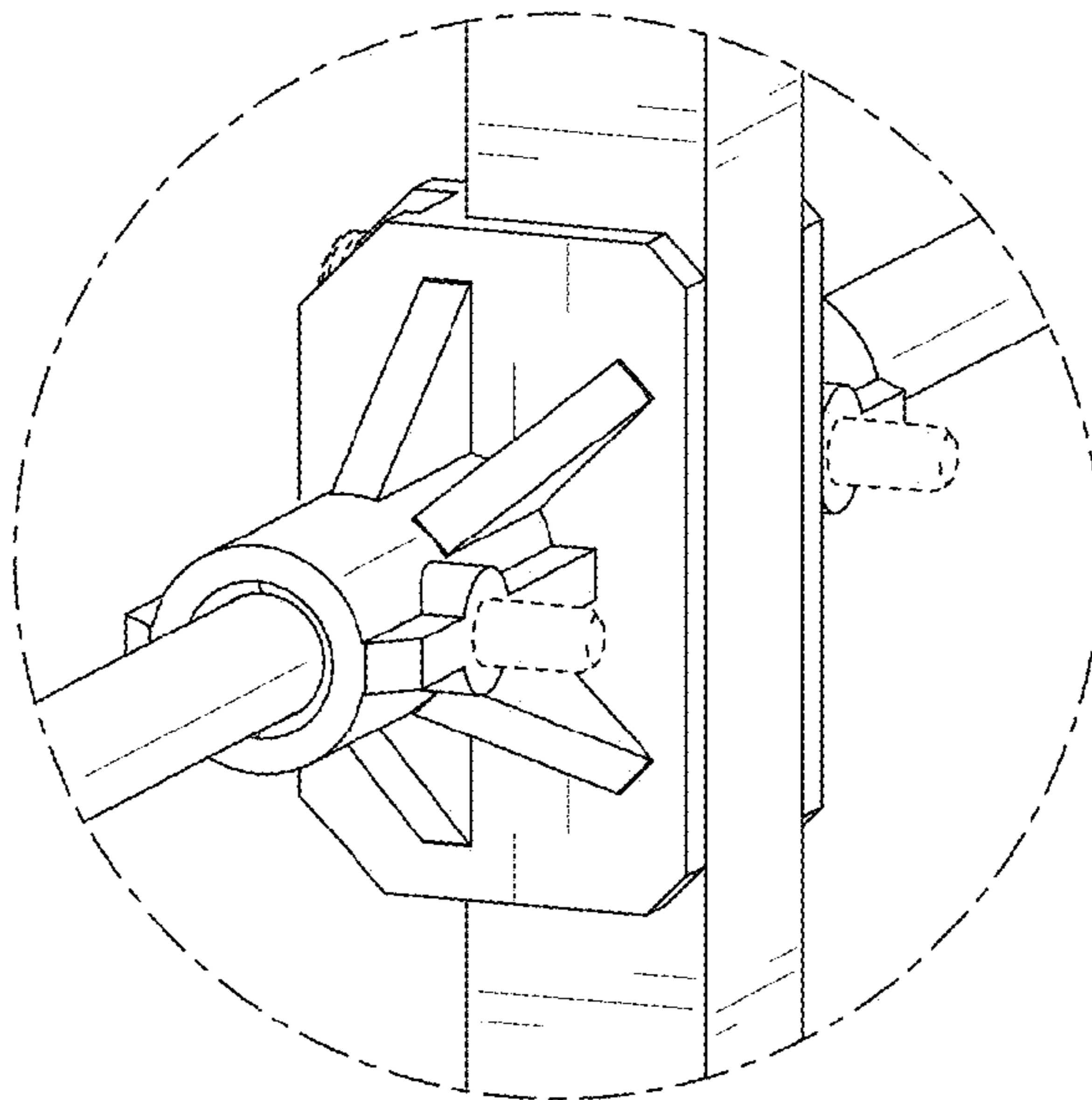


FIG. 1C

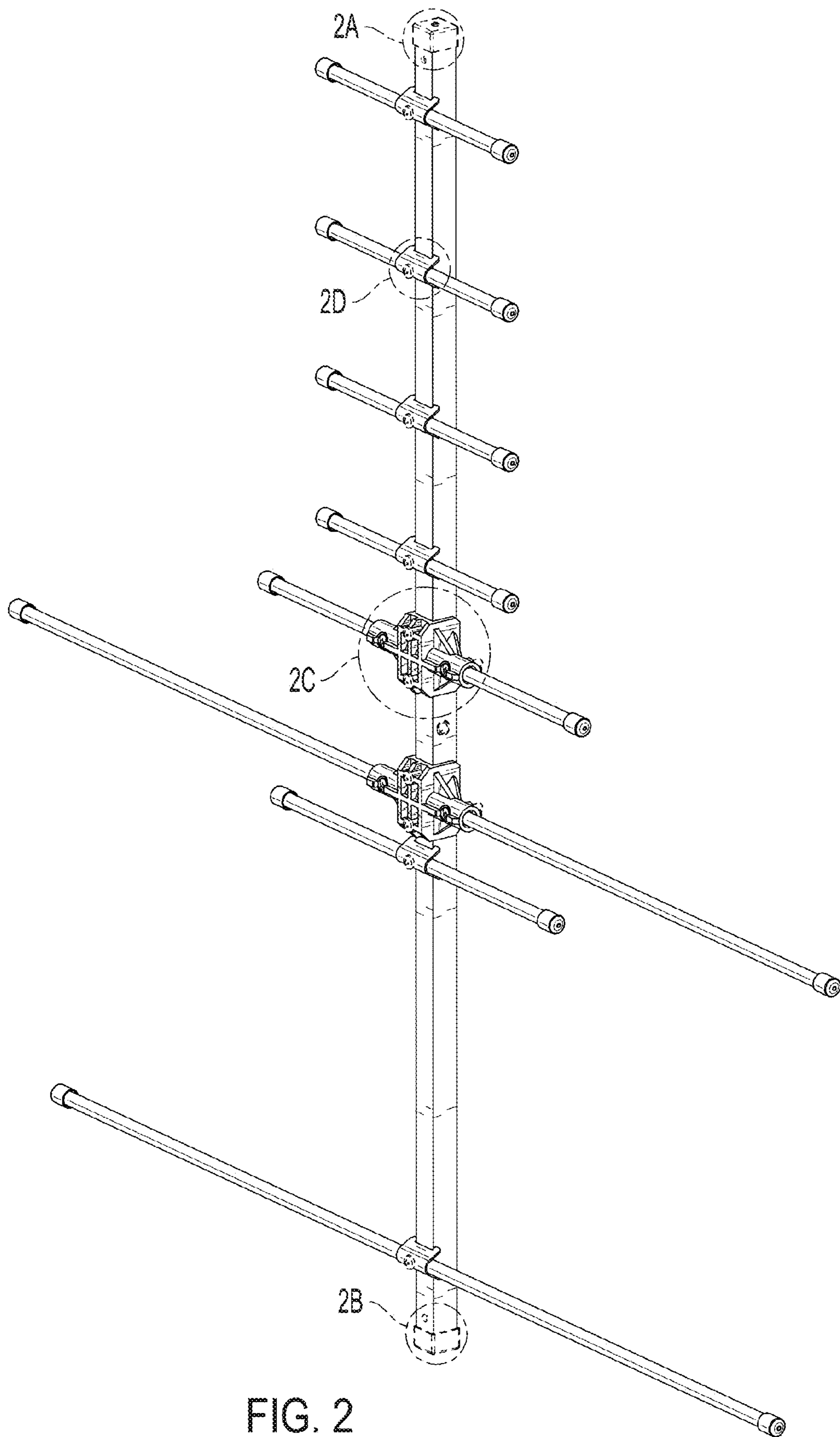


FIG. 2

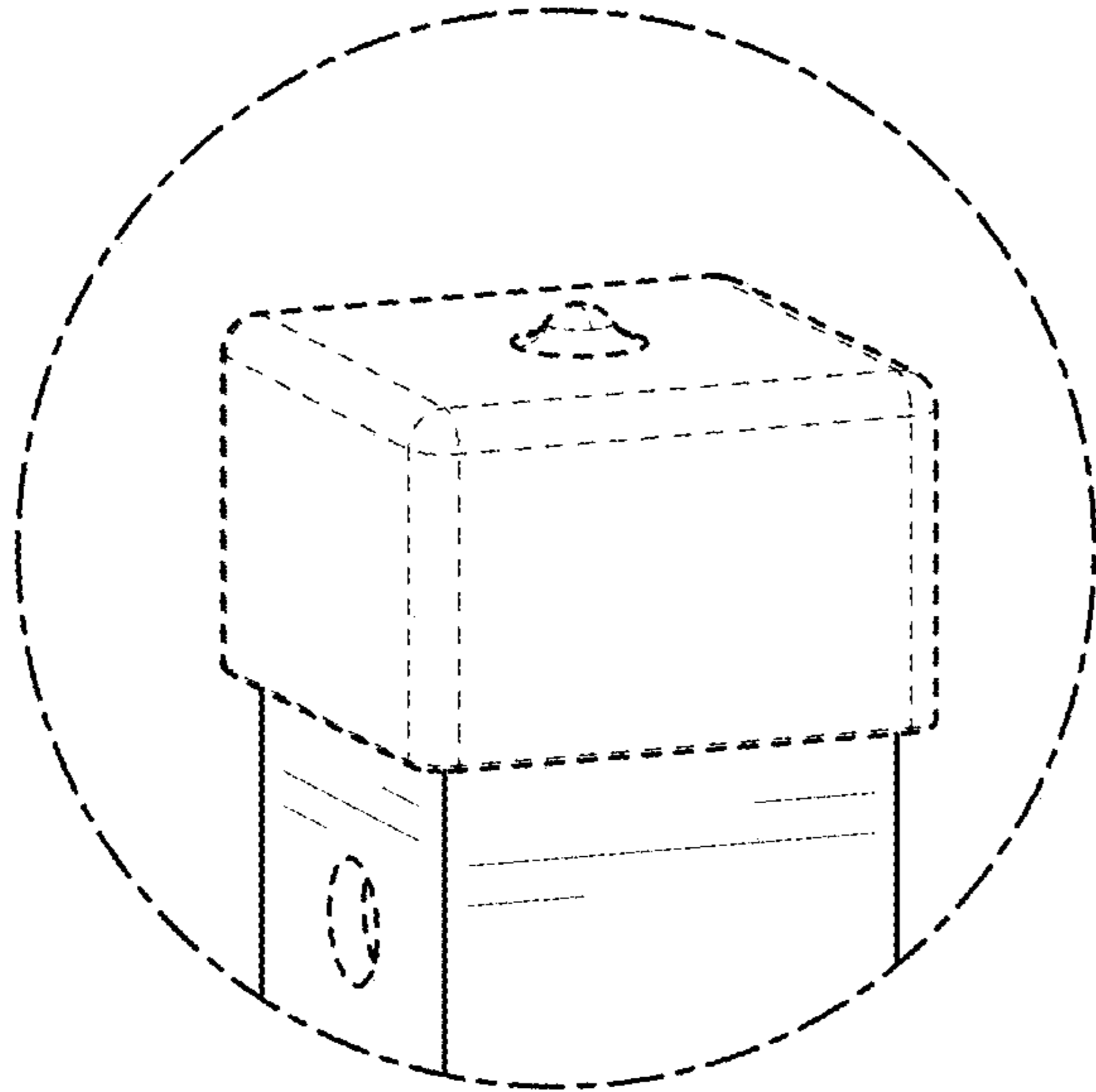


FIG. 2A

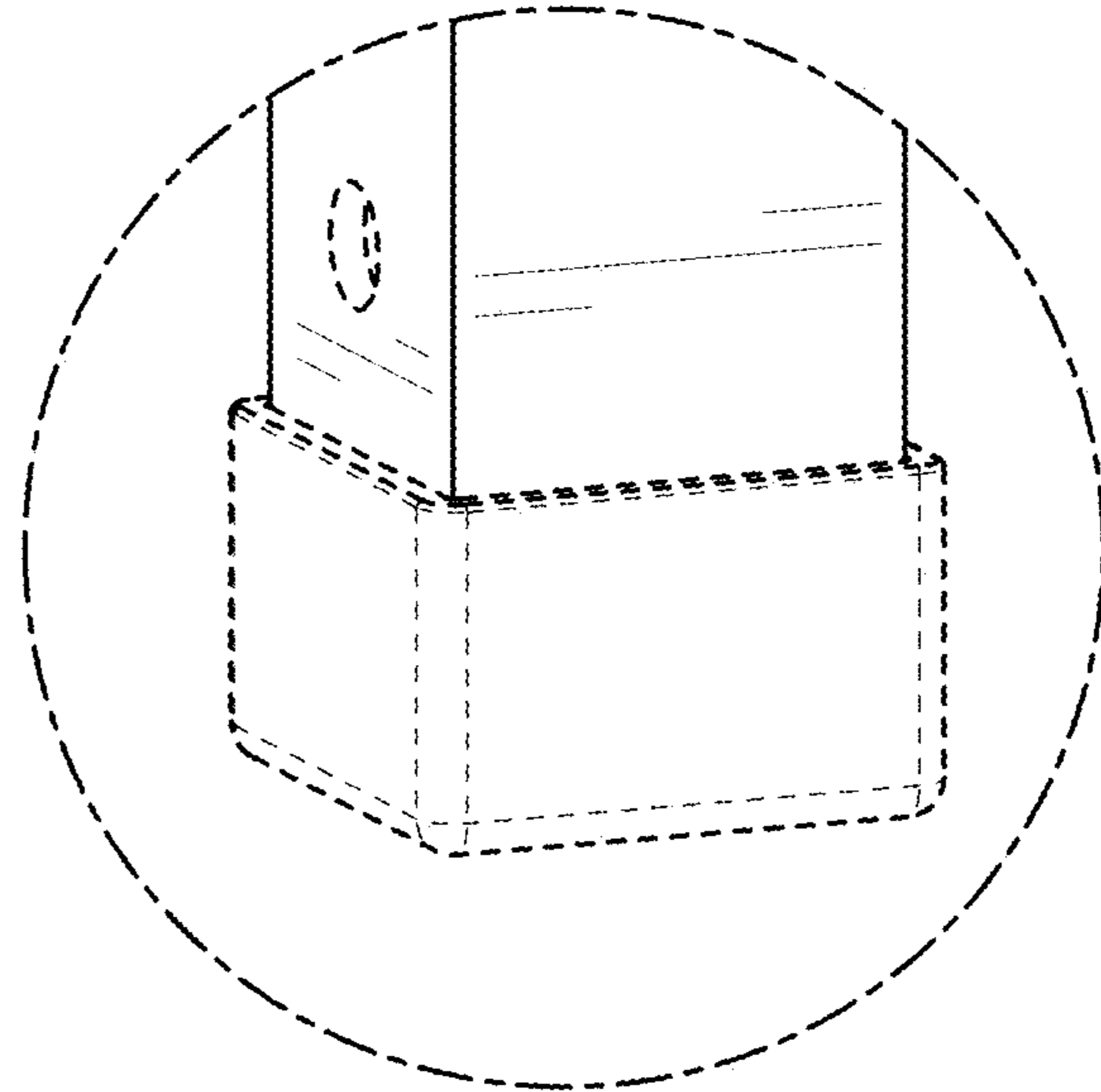


FIG. 2B

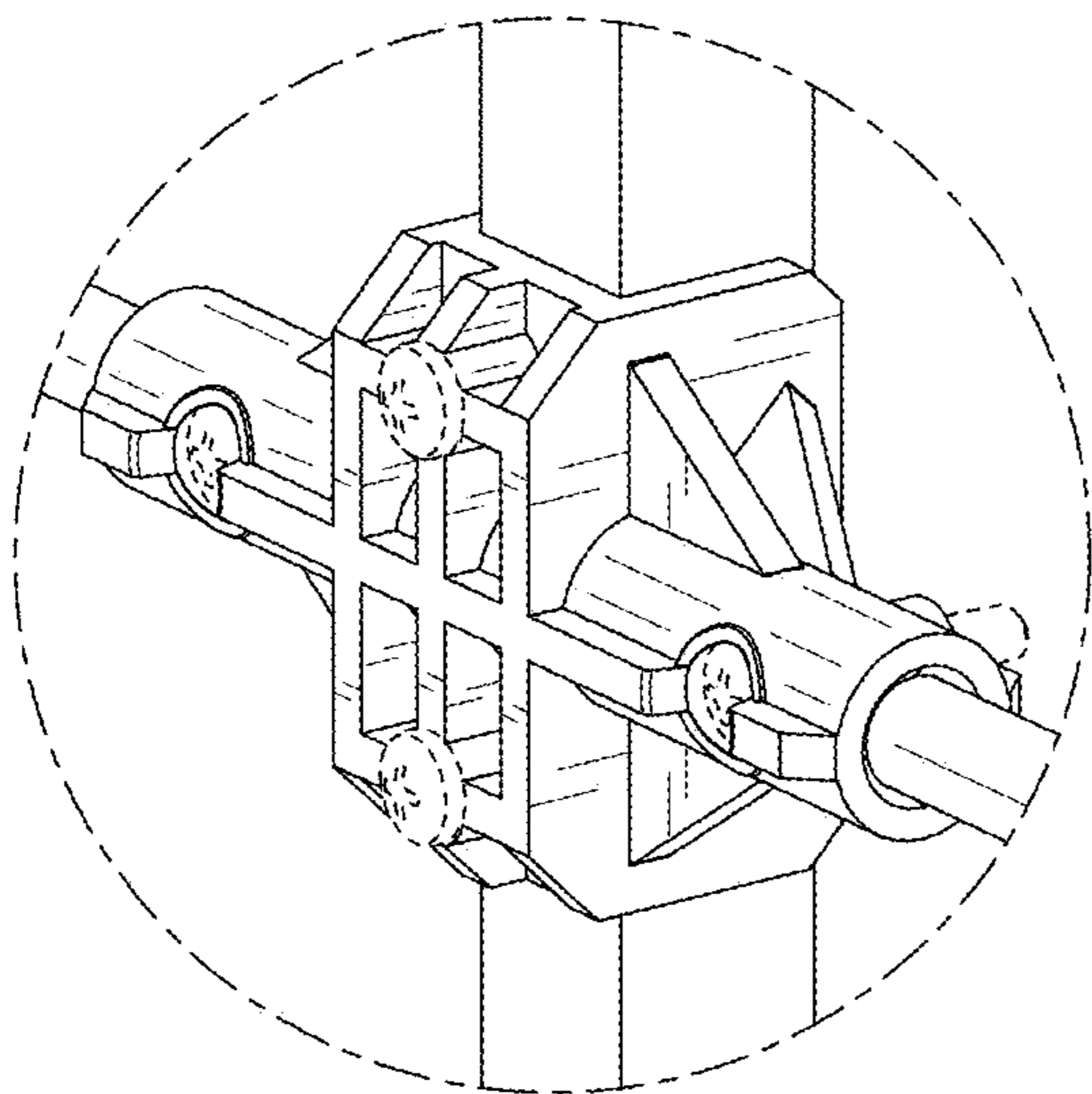


FIG. 2C

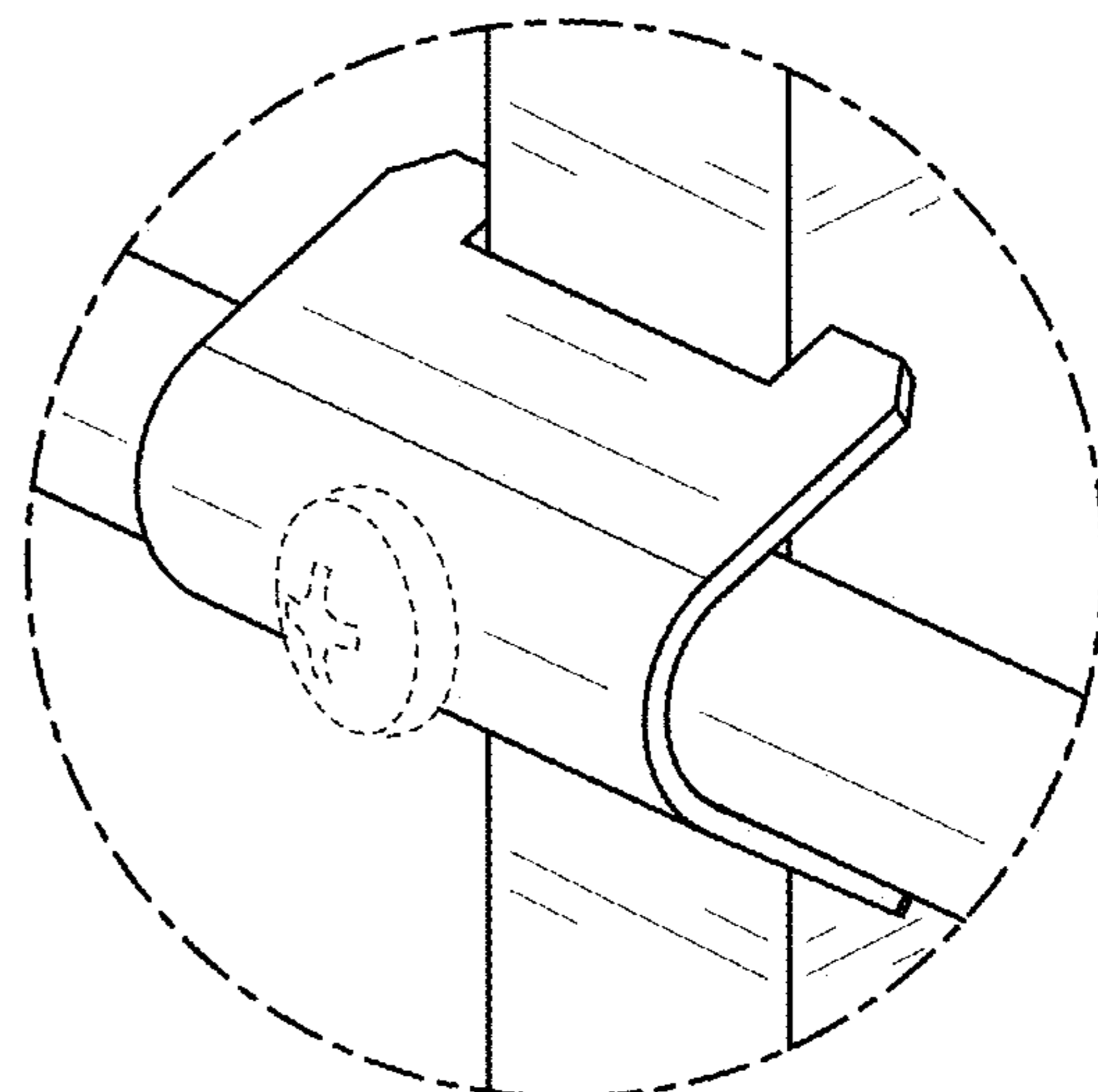


FIG. 2D

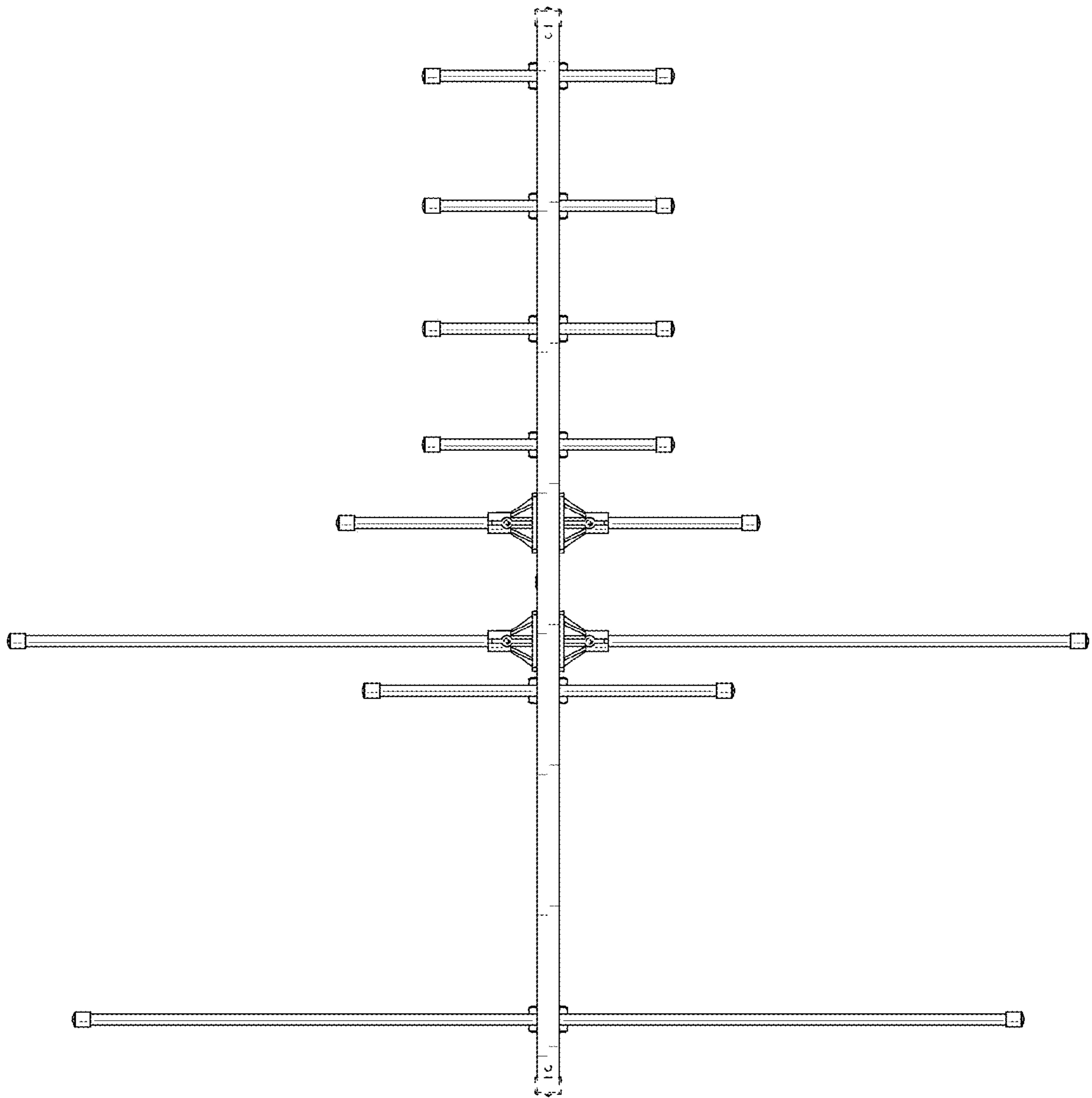


FIG. 3

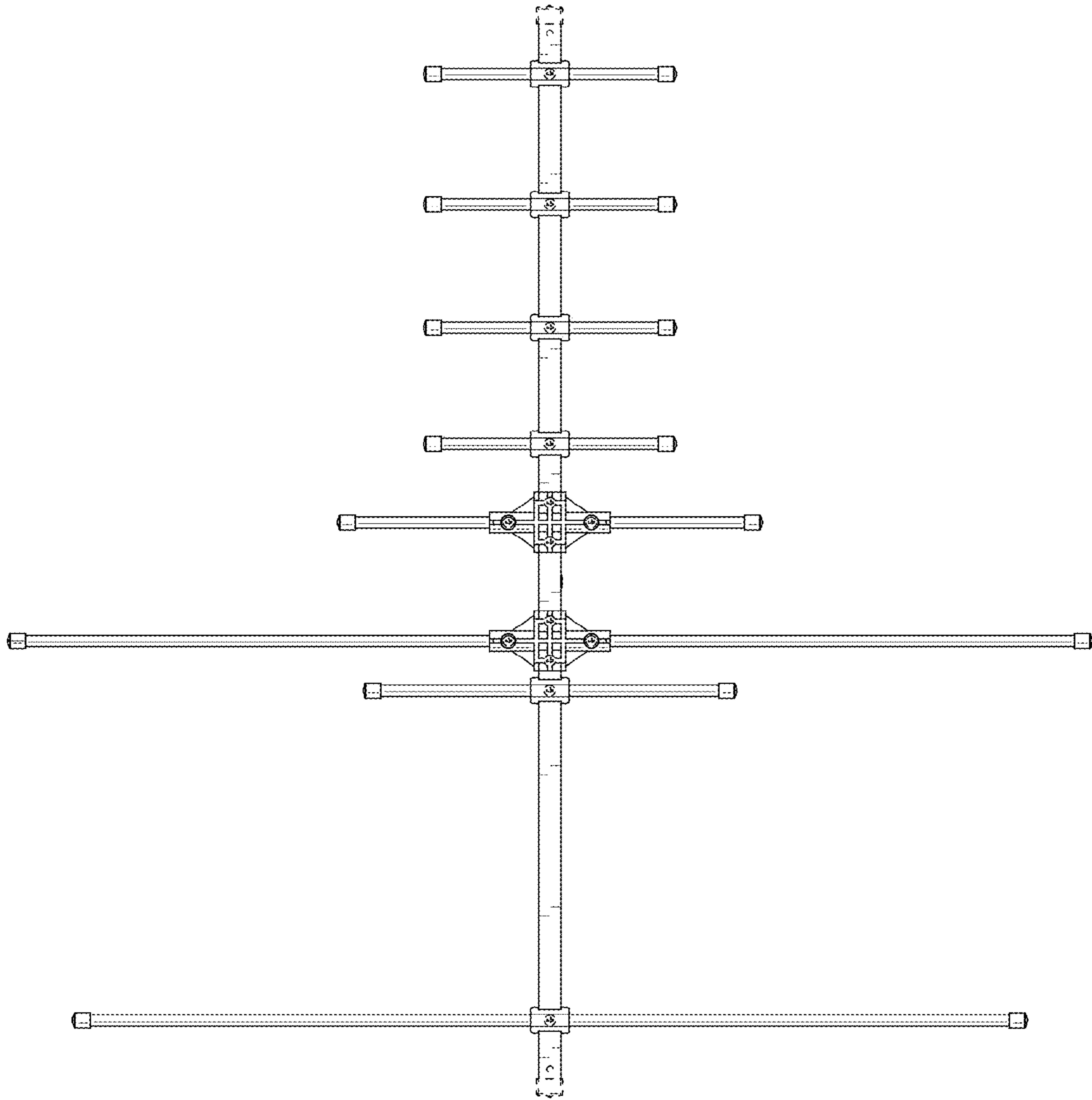


FIG. 4



FIG. 5



FIG. 6

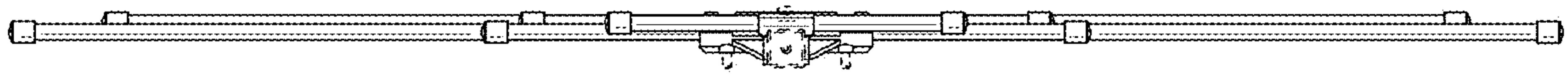


FIG. 7



FIG. 8