



US00D973040S

(12) **United States Design Patent** (10) **Patent No.:** **US D973,040 S**
Liu et al. (45) **Date of Patent:** **** Dec. 20, 2022**

(54) **ANTENNA MONITORING TOOL BOX**

D493,447 S * 7/2004 Noro D14/230
D518,039 S * 3/2006 Geringer D14/299
D531,173 S * 10/2006 Aizawa D14/230

(71) Applicants: **LITE-ON ELECTRONICS (GUANGZHOU) LIMITED**, Guangzhou (CN); **LITE-ON TECHNOLOGY CORPORATION**, Taipei (TW)

(Continued)

FOREIGN PATENT DOCUMENTS

(72) Inventors: **Liang-Yi Liu**, Taipei (TW); **Hung-Wen Hsu**, Taipei (TW); **Che-Cheng Chang**, Taipei (TW); **Jian-Lun Chen**, Taipei (TW)

CN 305843537 * 6/2020
CN 305896391 * 7/2020

(Continued)

OTHER PUBLICATIONS

(73) Assignees: **LITE-ON ELECTRONICS (GUANGZHOU) LIMITED**; **LITE-ON TECHNOLOGY CORPORATION**

Croma, "Wi-Fi Smart Infrared Remote Control," available at amazon.com, date first available Jun. 30, 2020, site visited Jul. 22, 2022, Available at URL: <https://www.amazon.in/Infrared-Remote-Control-Compatible-CRCP1006/dp/B08C58YQRD> (Year: 2020).*

(Continued)

(**) Term: **15 Years**

Primary Examiner — Daniel J Domino

(21) Appl. No.: **29/757,620**

Assistant Examiner — Samina Vieth

(22) Filed: **Nov. 6, 2020**

(74) *Attorney, Agent, or Firm* — Innovation Counsel LLP

(51) **LOC (13) Cl.** **14-03**

(57) **CLAIM**

(52) **U.S. Cl.**
USPC **D14/230**

The ornamental design for an antenna monitoring tool box, as shown and described.

(58) **Field of Classification Search**
USPC D14/230–239, 354, 299, 358, 242, D14/140–140.9, 155, 137, 218, 341; D8/355, 359; D16/242
CPC H01Q 1/1207; H01Q 1/52; H01Q 1/281; H01Q 1/08; H01Q 1/1242; H01Q 1/125; H01Q 21/06; H01Q 19/30; H01Q 1/38; H01L 23/02; H01L 33/486; H05K 5/00
See application file for complete search history.

DESCRIPTION

(56) **References Cited**

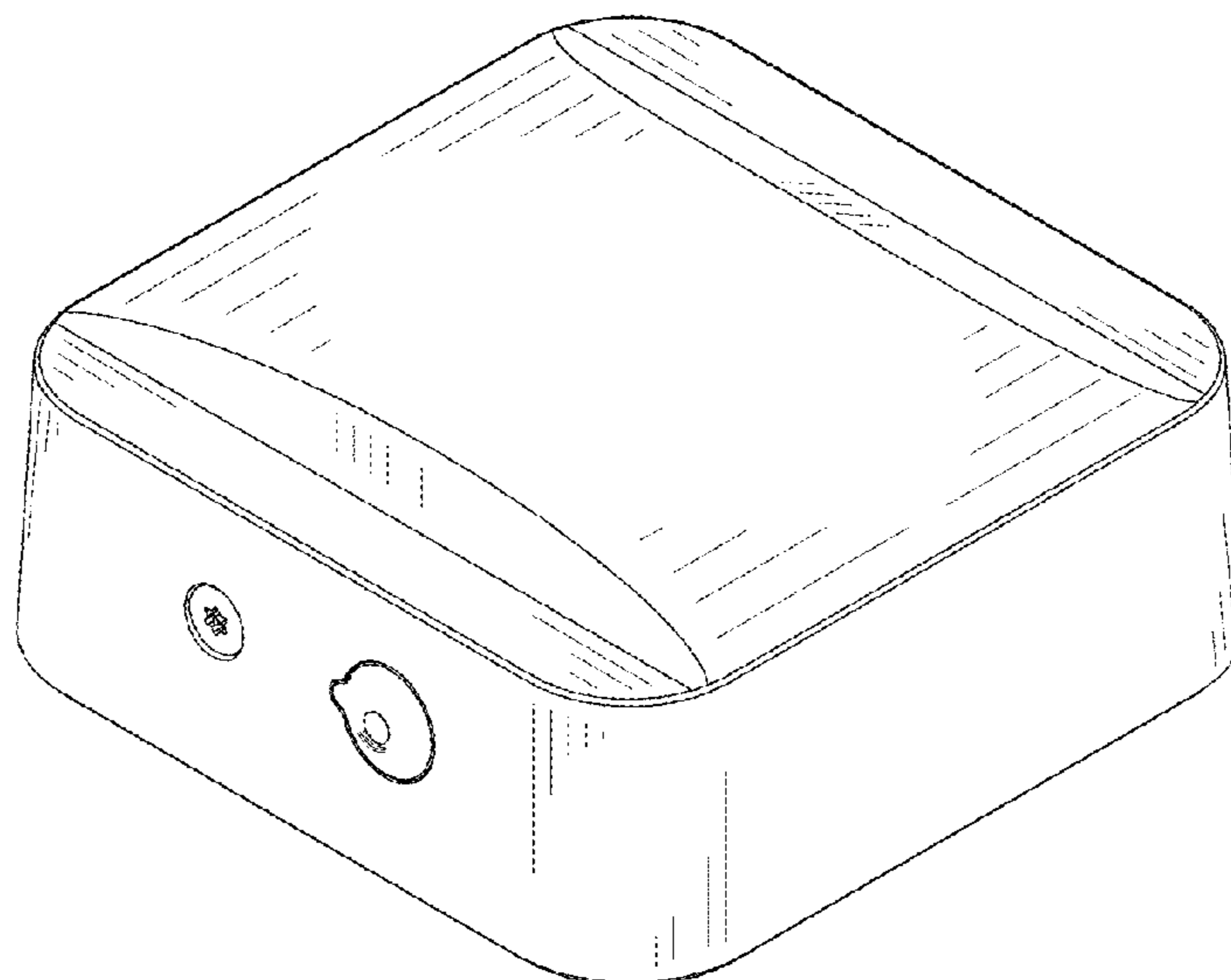
U.S. PATENT DOCUMENTS

D182,473 S * 4/1958 Middlemark D14/235
D318,673 S * 7/1991 Terk D14/230
D482,350 S * 11/2003 Noro D14/230

FIG. 1 is a perspective view of an antenna monitoring tool (AMT) box showing our new design; FIG. 2 is a front elevation view thereof; FIG. 3 is a rear elevation view thereof; FIG. 4 is a left side elevation view thereof; FIG. 5 is a right side elevation view thereof; FIG. 6 is a top plan view thereof; and, FIG. 7 is a bottom plan view thereof.

The broken lines shown in the drawings depict portions of the antenna monitoring tool (AMT) box in which the design is embodied; the portions form no part of the claimed design.

1 Claim, 5 Drawing Sheets



(56)

References Cited

U.S. PATENT DOCUMENTS

D531,994 S * 11/2006 Allen D14/230
 D531,995 S * 11/2006 Shinkawa D14/230
 D550,660 S * 9/2007 Noro D14/230
 D565,035 S * 3/2008 Takisawa D14/230
 D589,946 S * 4/2009 Yamamoto D14/230
 D593,078 S * 5/2009 Sato D14/230
 D624,541 S * 9/2010 Kemery D14/240
 D730,328 S * 5/2015 Chun D14/230
 D732,512 S * 6/2015 Fariello D14/230
 D732,530 S * 6/2015 Hermansson D14/358
 D766,218 S * 9/2016 Yang D14/218
 D774,023 S * 12/2016 Fariello D14/230
 D780,137 S * 2/2017 Tallqvist D14/125
 D785,608 S * 5/2017 Weaver D14/240
 D802,565 S * 11/2017 Fariello D14/230
 D828,274 S * 9/2018 Ito D12/223
 D872,078 S * 1/2020 Wu D14/434
 D873,249 S * 1/2020 Biancotto D14/230
 D875,083 S * 2/2020 Sohn D14/218
 D876,402 S * 2/2020 Liu D14/230
 D877,126 S * 3/2020 DeCastro D14/230
 D879,150 S * 3/2020 Kusano D14/203.1
 D889,461 S * 7/2020 Seo D14/240
 D901,462 S * 11/2020 Oba D14/230
 11,246,235 B2 * 2/2022 Hsu G01R 29/105

D945,392 S * 3/2022 Jia D14/155
 D956,035 S * 6/2022 Rogge D14/240
 D960,098 S * 8/2022 Chen D13/184
 D964,333 S * 9/2022 Bould D14/242
 D964,334 S * 9/2022 Bould D14/242
 2018/0159211 A1 * 6/2018 Biancotto H01Q 1/42
 2021/0212230 A1 * 7/2021 Hsu H05K 5/0204

FOREIGN PATENT DOCUMENTS

CN 306105945 * 10/2020
 CN 307390683 * 6/2022
 CN 307407833 * 6/2022
 GB 2089806 * 3/2000

OTHER PUBLICATIONS

PC Mag, "MiniX Neo X5-116A Review", available at pcmag.com, date published May 31, 2013, site visited Jul. 22, 2022, Available at URL: <https://www.pcmag.com/reviews/minix-neo-x5-116a> (Year: 2013).*

Hollyland, "Extension Panel Antenna," available at bhphotovideo.com, oldest review date Jan. 11, 2021, site visited Jul. 22, 2022, Available at URL: <https://bhpho.to/3opXpks> (Year: 2021).*

* cited by examiner

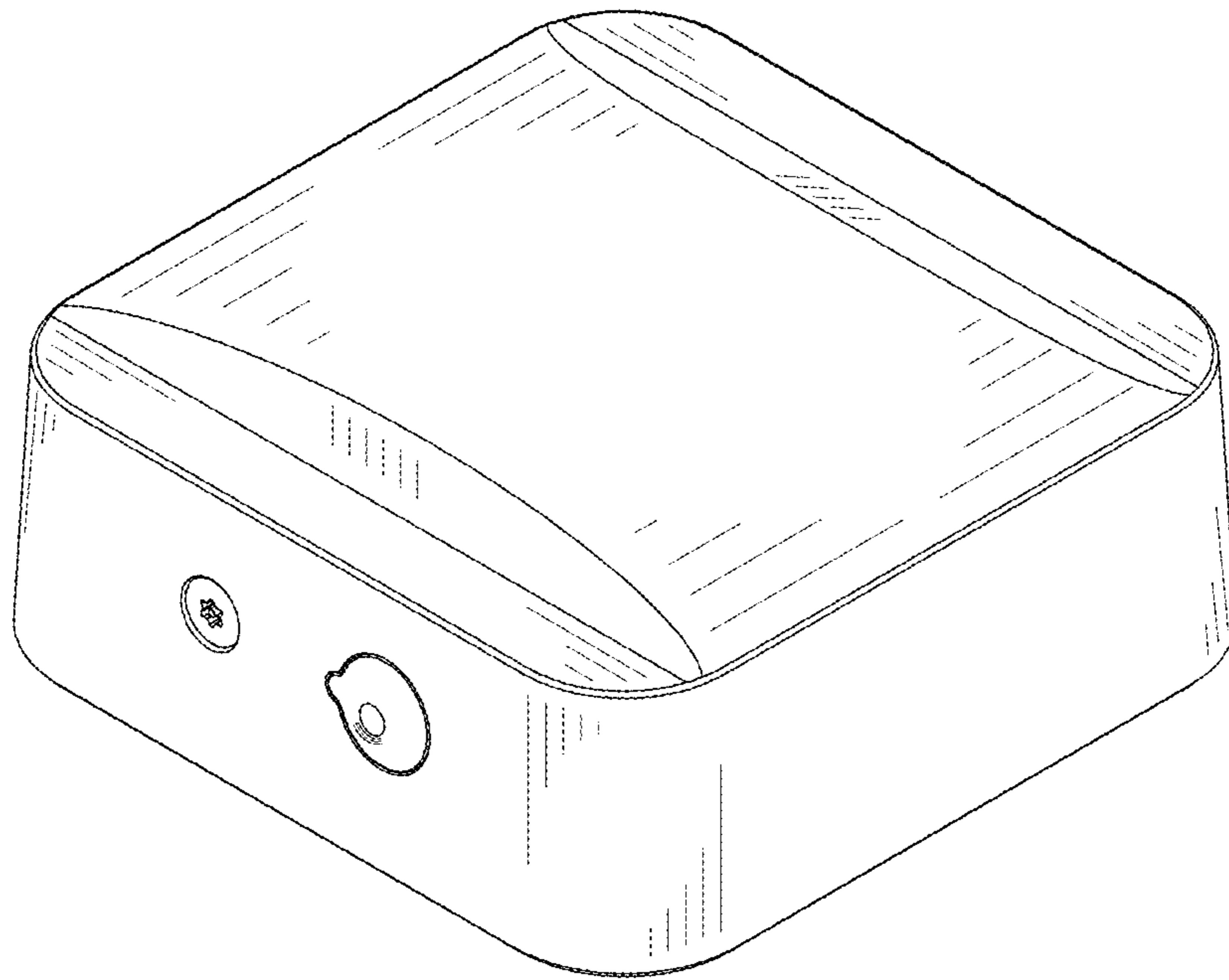


FIG. 1

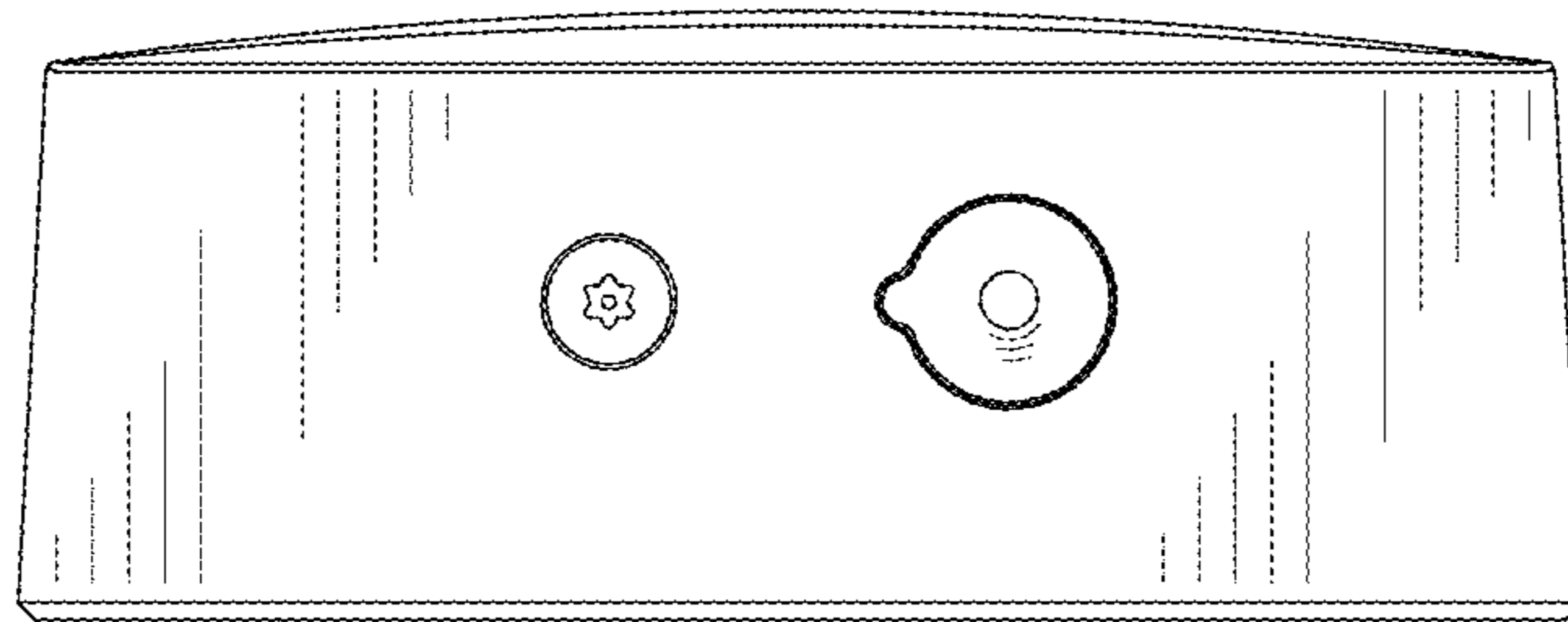


FIG. 2

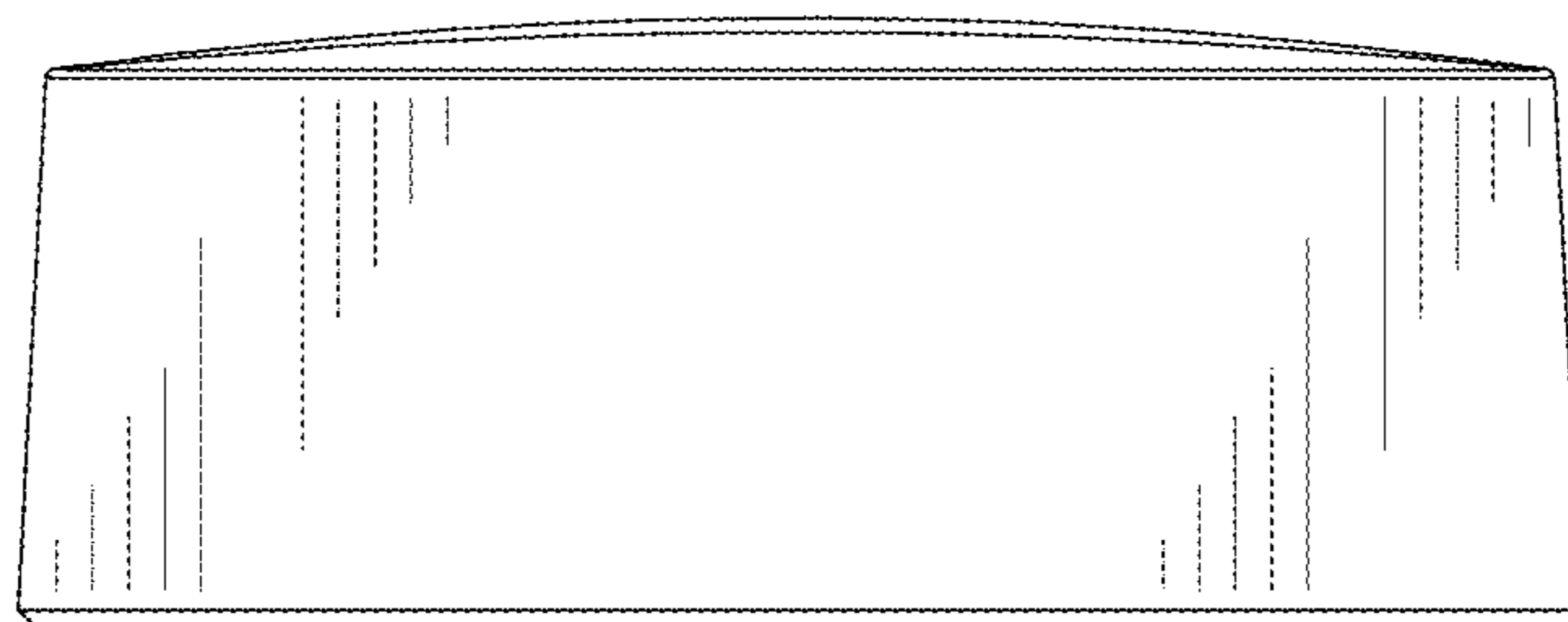


FIG. 3

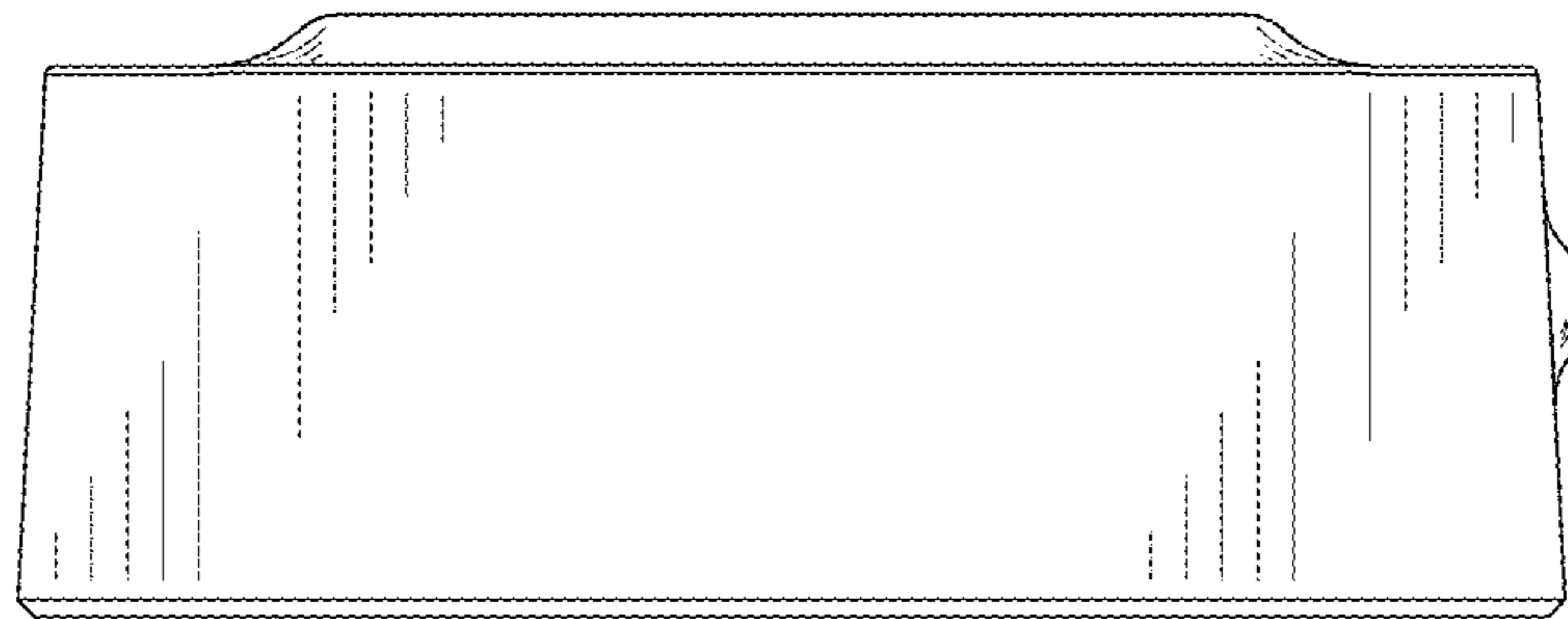


FIG. 4

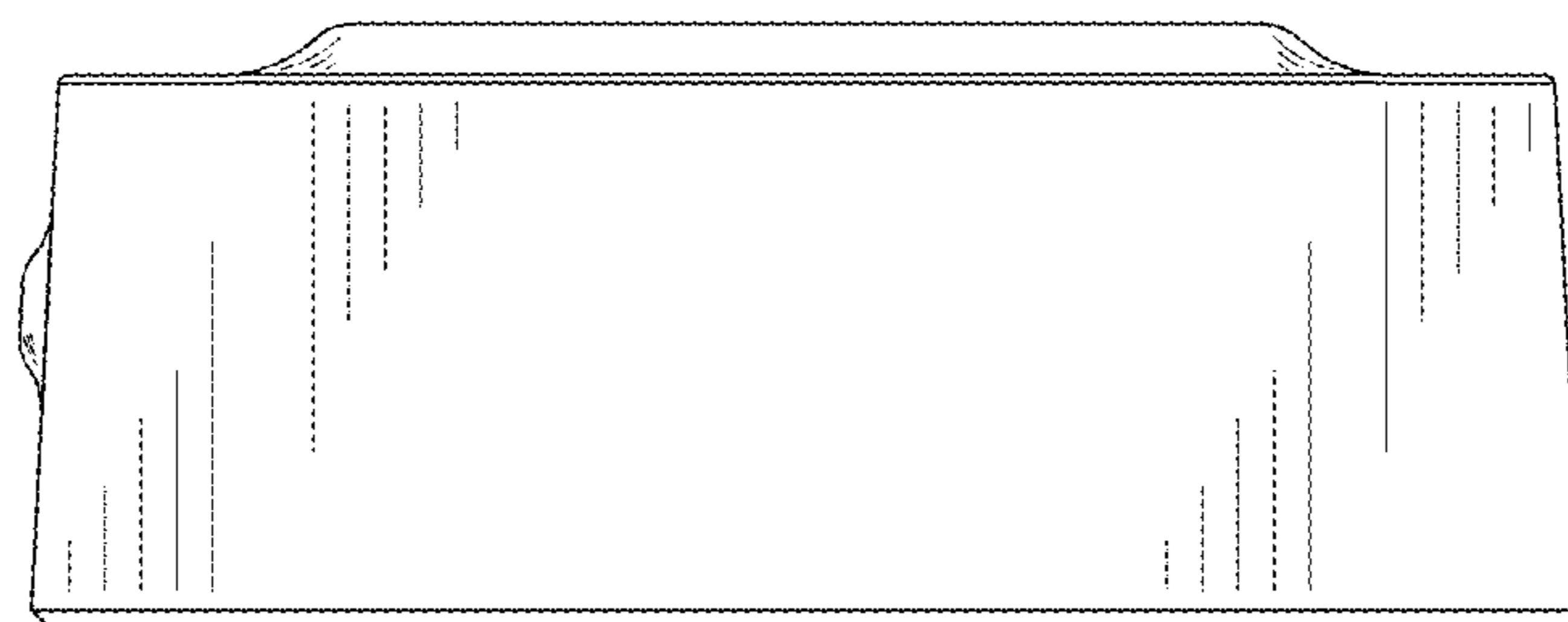


FIG. 5

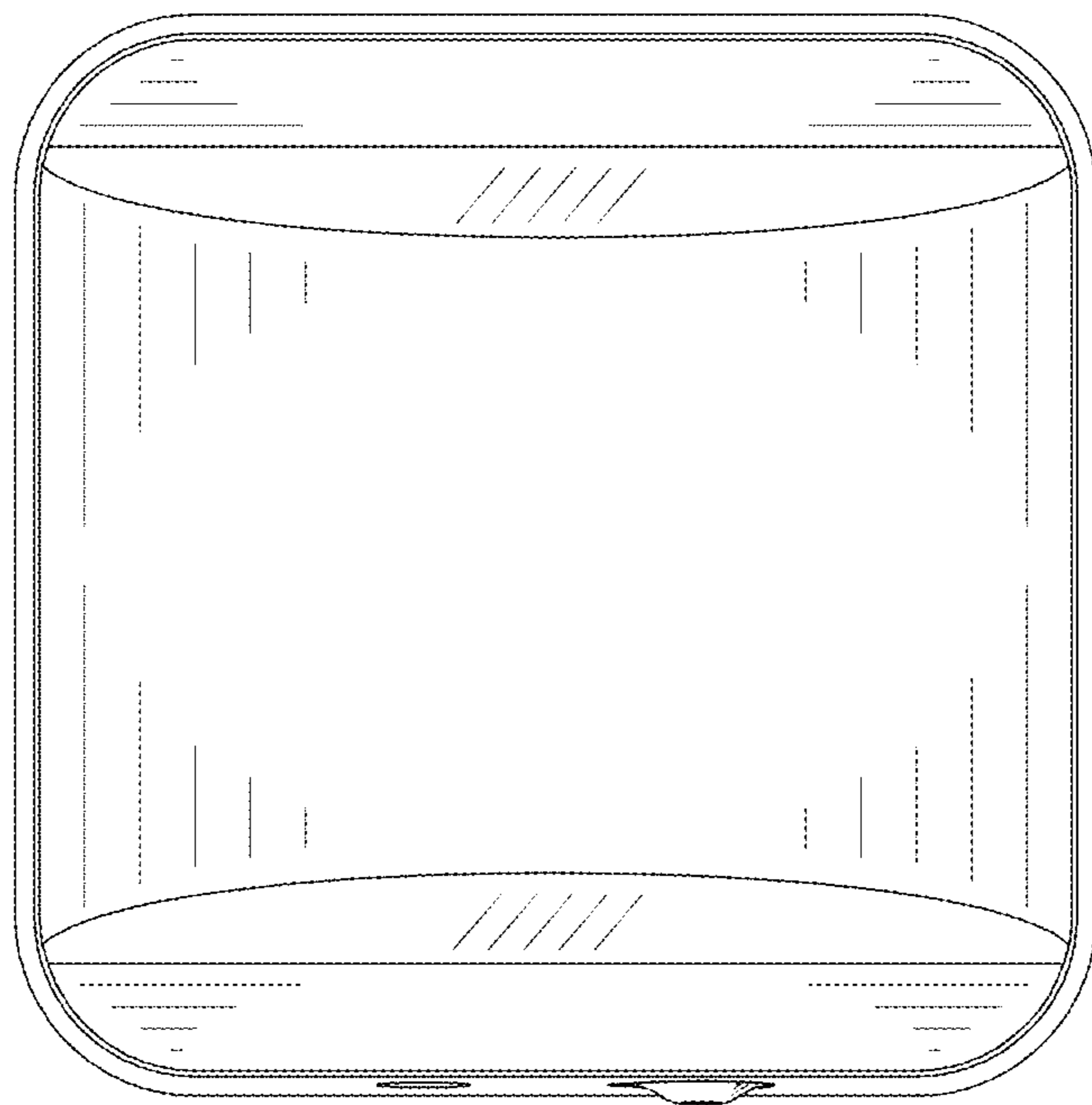


FIG. 6

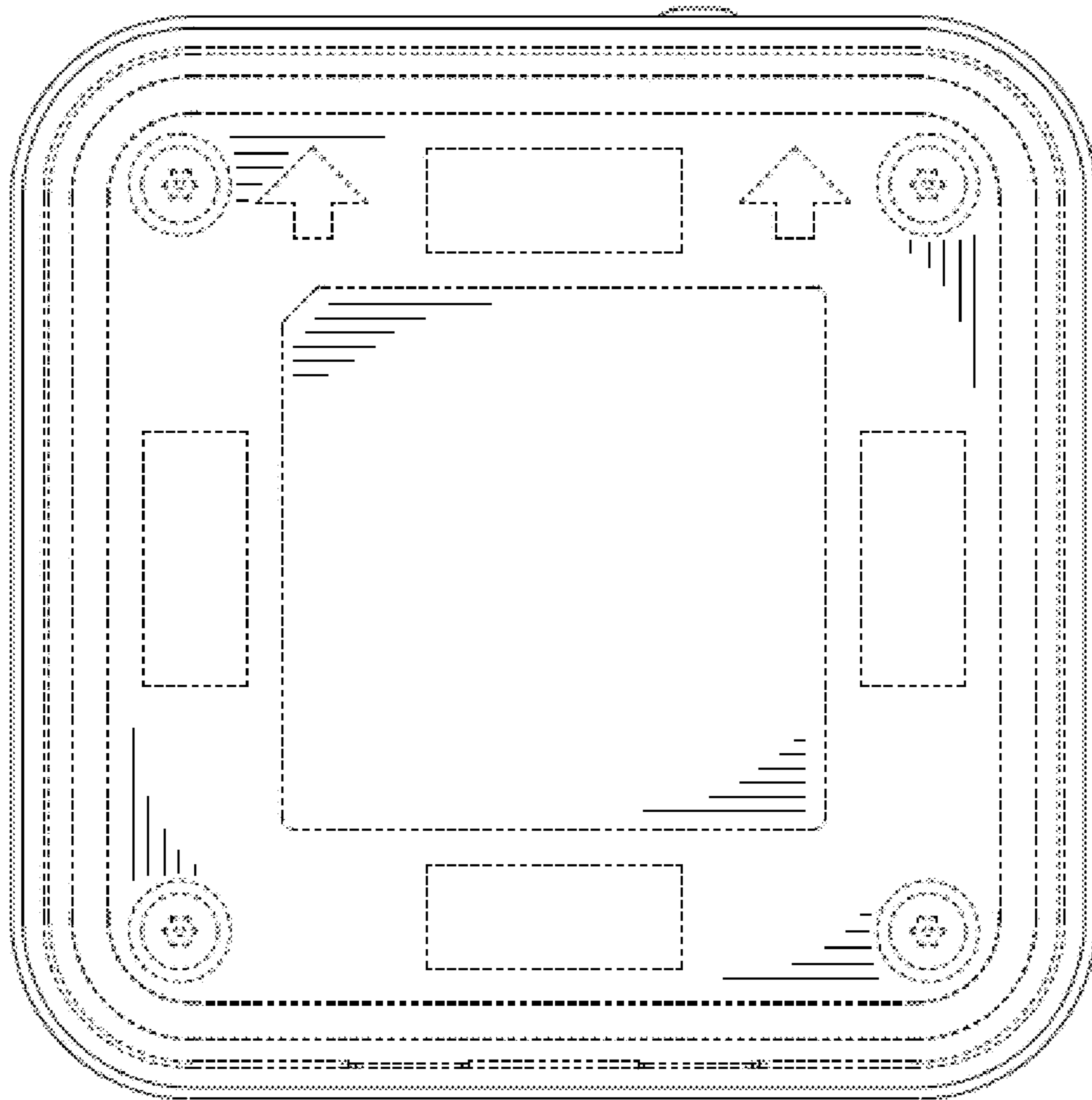


FIG. 7