



US00D973036S

(12) **United States Design Patent** (10) **Patent No.:** **US D973,036 S**
Zhang et al. (45) **Date of Patent:** **** Dec. 20, 2022**

(54) **EARPHONE**

FOREIGN PATENT DOCUMENTS

(71) Applicant: **Ugreen Group Limited**, Shenzhen (CN)

CN 305311855 * 8/2019
CN 305459015 * 11/2019
JP D1646883 * 12/2019

(72) Inventors: **Qingsen Zhang**, Shenzhen (CN);
Junling Chen, Shenzhen (CN); **Dian Liu**, Shenzhen (CN)

OTHER PUBLICATIONS

(**) Term: **15 Years**

ASIMOM in-Ear, first available May 13, 2021 [online], [retrieved Jul. 12, 2022]. Available from the Internet, URL:<https://a.co/d/iZf0o5r>. (Year: 2021).*

(21) Appl. No.: **29/760,663**

LASUNEY Wireless, first available Apr. 22, 2022 [online], [retrieved Jul. 12, 2022]. Available from the Internet, URL:<https://a.co/d/2JJZafv>. (Year: 2022).*

(22) Filed: **Dec. 3, 2020**

Tribit Bluetooth, first available Oct. 1, 2021 [online], [retrieved Jul. 12, 2022]. Available from the Internet, URL:<https://a.co/d/9h3HkKa>. (Year: 2021).*

(51) **LOC (13) Cl.** **14-01**

(52) **U.S. Cl.**

USPC **D14/223**

(58) **Field of Classification Search**

USPC D14/204, 205, 207, 221, 223; D24/106, D24/173, 174; D29/112

CPC . H04R 1/08; H04R 1/10; H04R 1/105; H04R 1/1016; H04R 1/1033; H04R 1/1066; H04R 5/033; H04R 5/0335; H04R 25/00

See application file for complete search history.

* cited by examiner

Primary Examiner — Shawn T Gingrich

Assistant Examiner — Russell Carnell Smith, Jr.

(74) *Attorney, Agent, or Firm* — Rumit R. Kanakia

(57)

CLAIM

The ornamental design for an earphone, as shown and described.

DESCRIPTION

(56) **References Cited**

U.S. PATENT DOCUMENTS

D681,015 S * 4/2013 Akana H04R 1/10
D14/223
D691,594 S * 10/2013 Akana D14/223
D801,314 S * 10/2017 Akana D14/223
D890,724 S * 7/2020 Li D14/223
D896,788 S * 9/2020 Akana D14/223
D901,457 S * 11/2020 Zhang D14/223
D906,299 S * 12/2020 Luo D14/223
D941,276 S * 1/2022 Levy D14/223
D944,197 S * 2/2022 Li D14/223
D948,484 S * 4/2022 Zhang D14/223
2018/0310089 A1 * 10/2018 Yun H04R 1/105

FIG. 1 is a first perspective view of an earphone showing our new design;

FIG. 2 is a second perspective view thereof;

FIG. 3 is a front view thereof;

FIG. 4 is a back view thereof;

FIG. 5 is a left side view thereof;

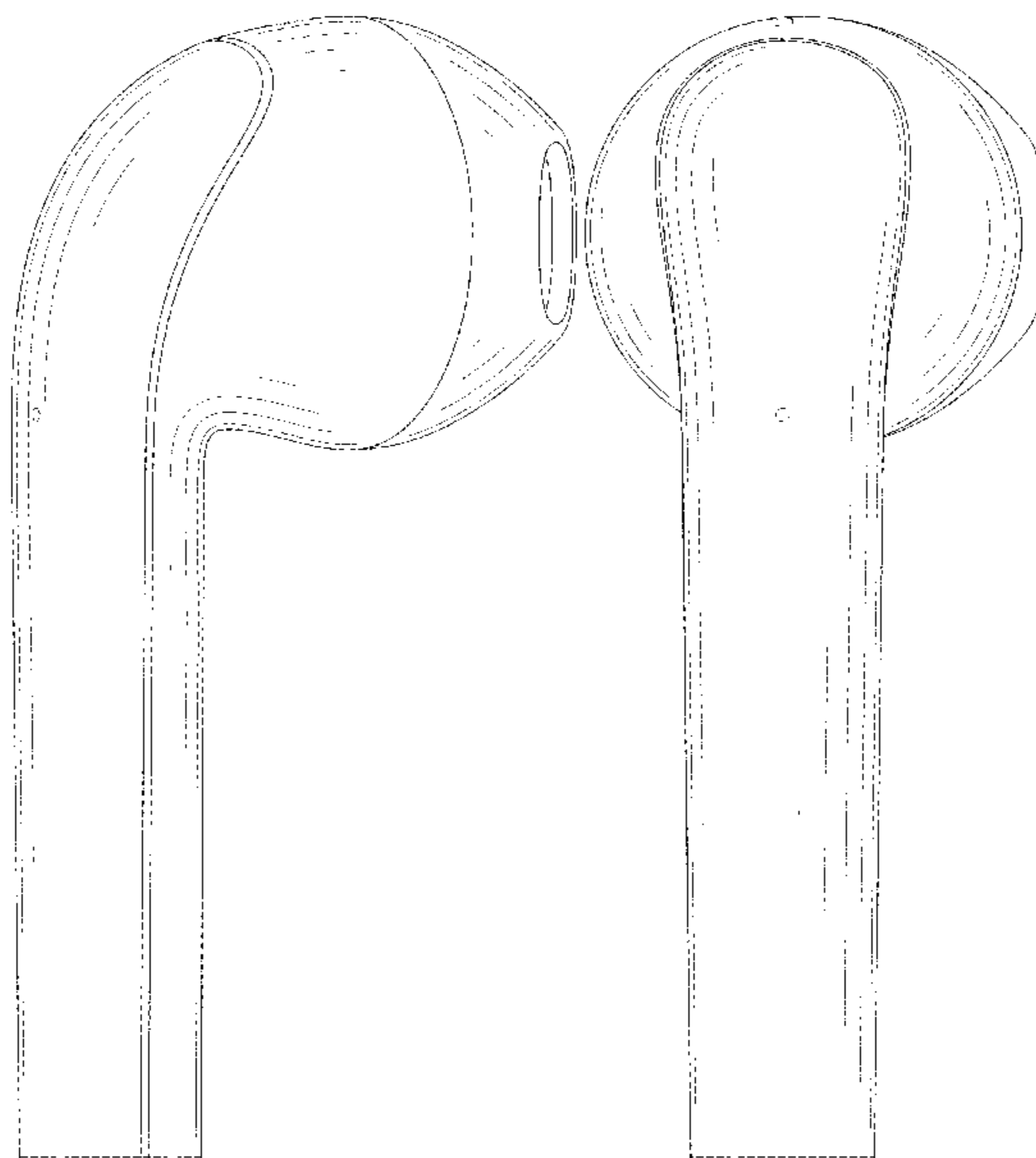
FIG. 6 is a right side view thereof;

FIG. 7 is a top view thereof; and,

FIG. 8 is a bottom view thereof.

The broken lines shown in the drawings depict portions of the earphone in which the design is embodied that form no part of the claimed design.

1 Claim, 8 Drawing Sheets



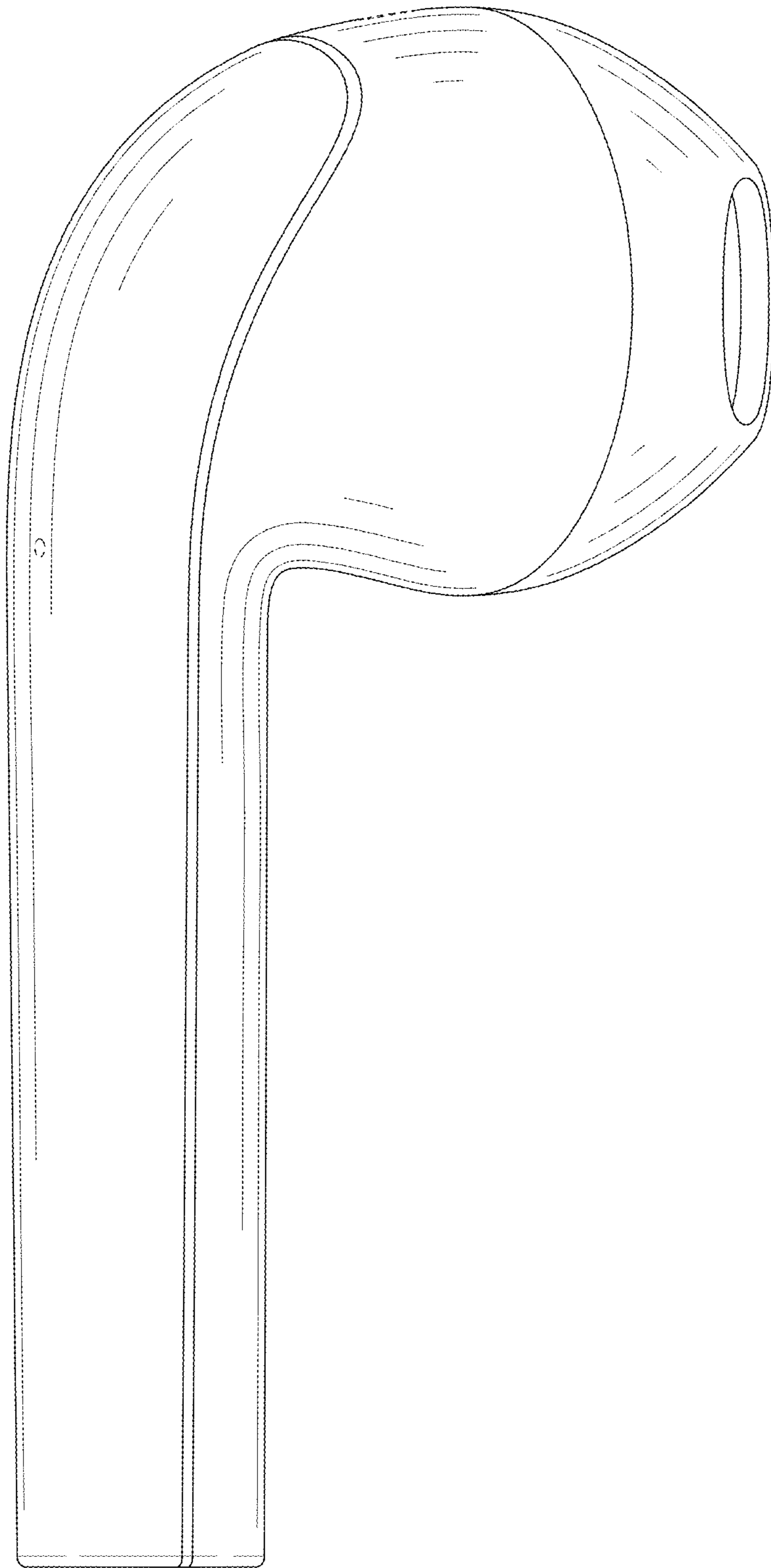


FIG. 1

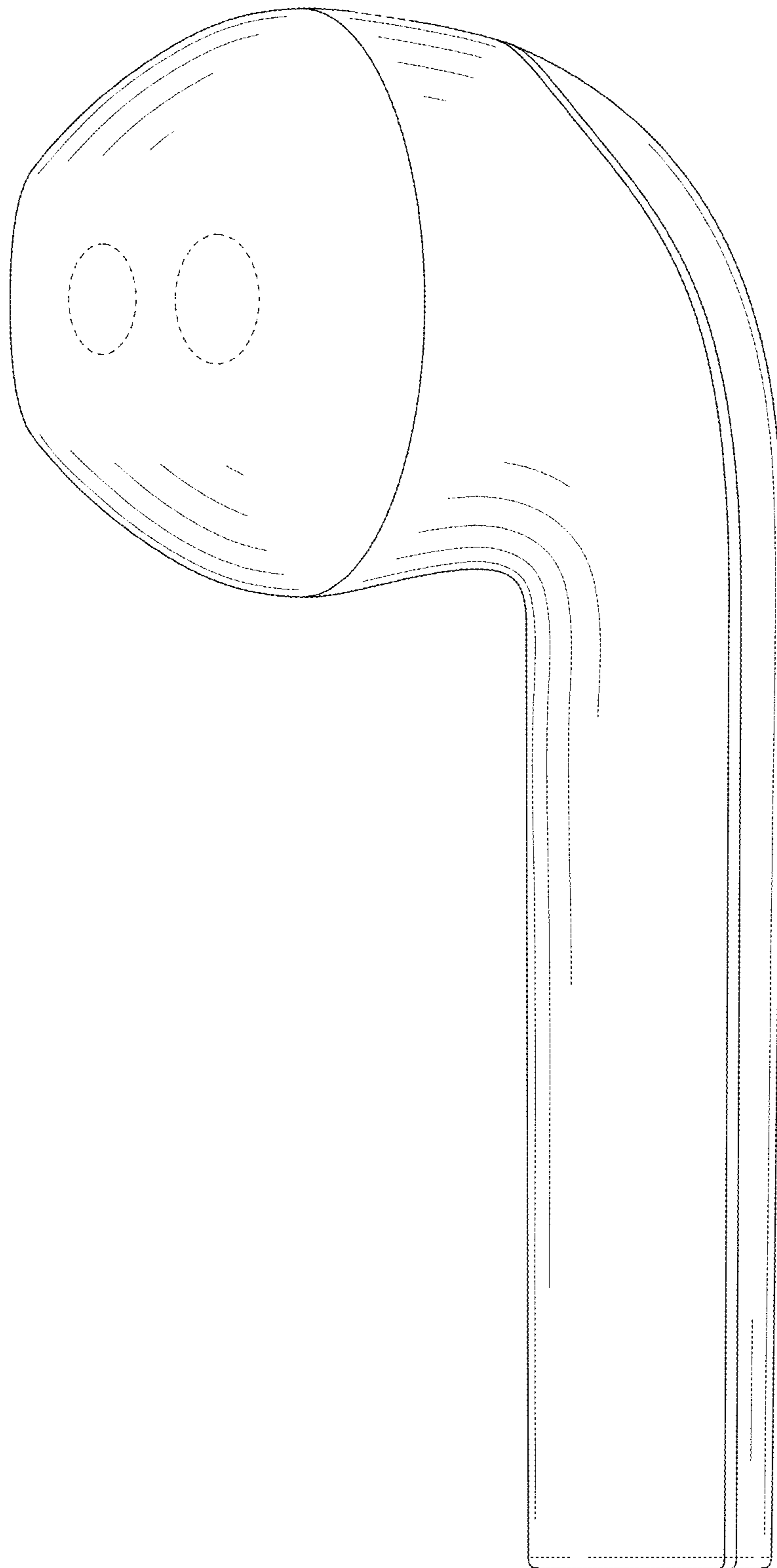


FIG. 2

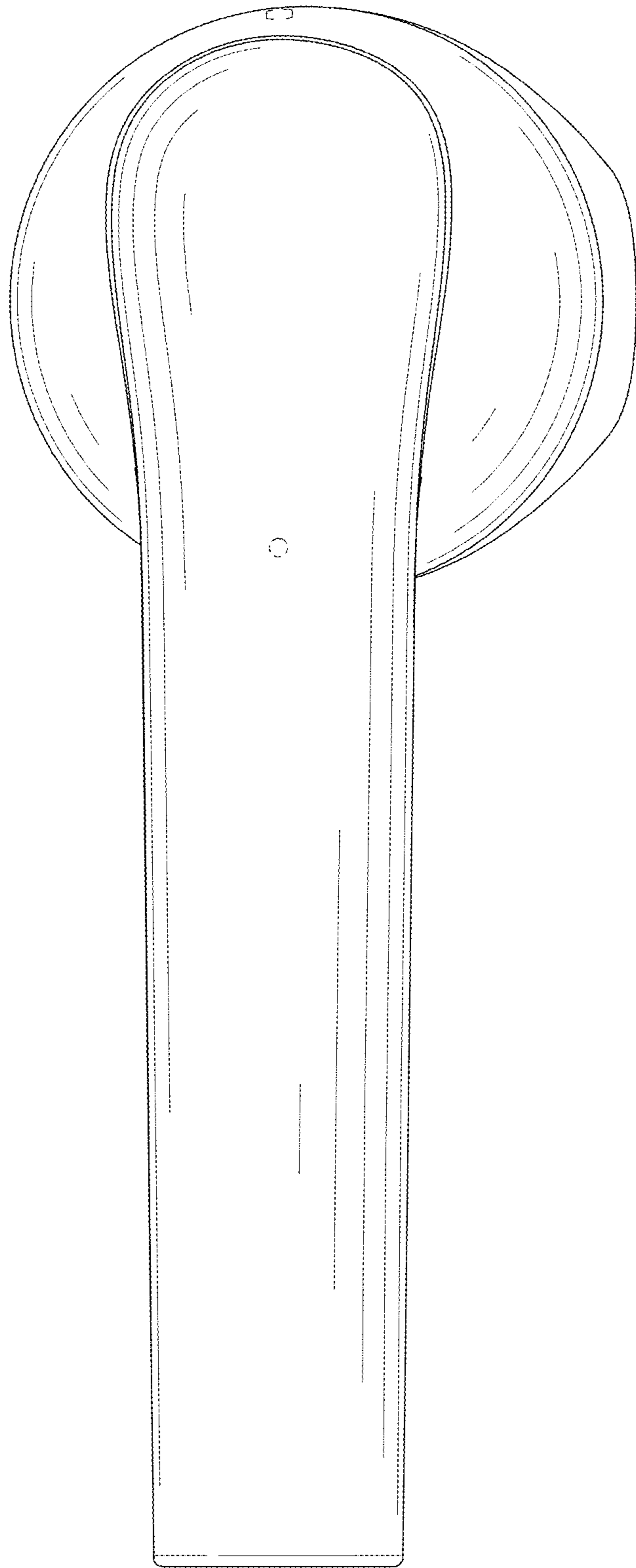


FIG. 3

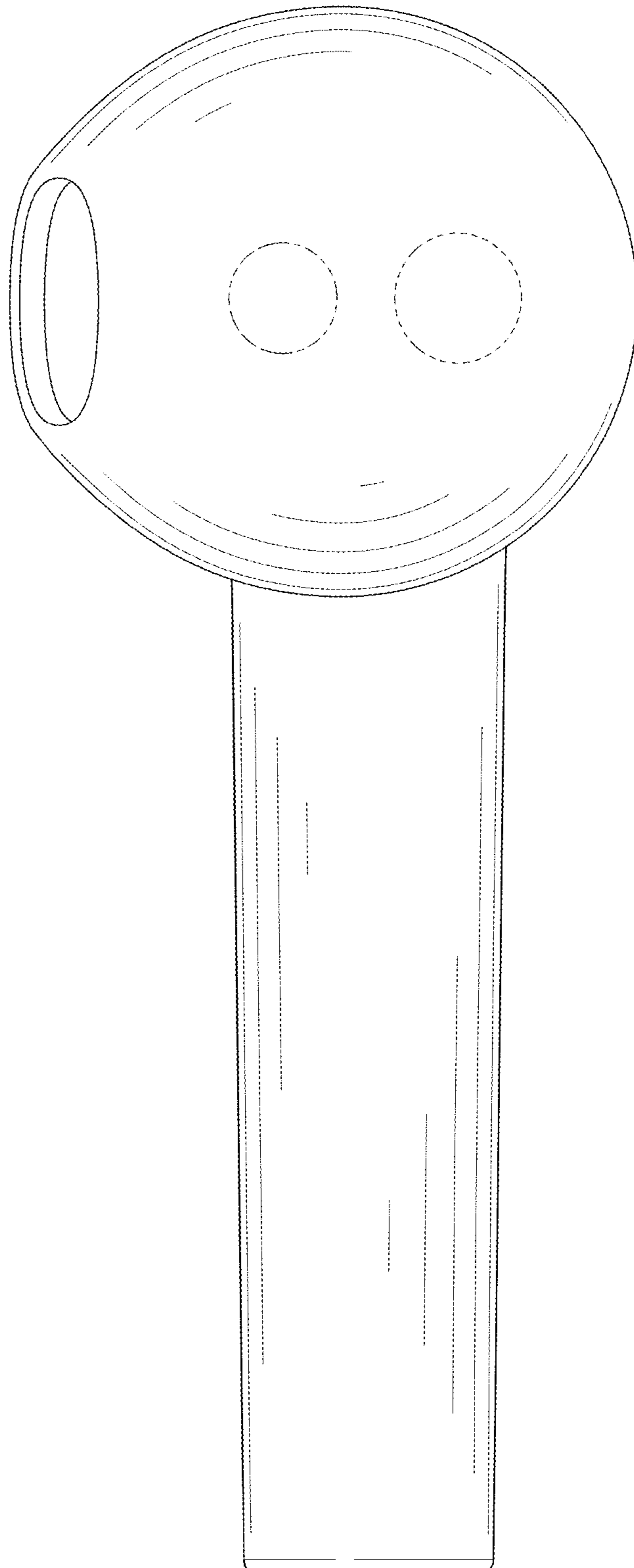


FIG. 4

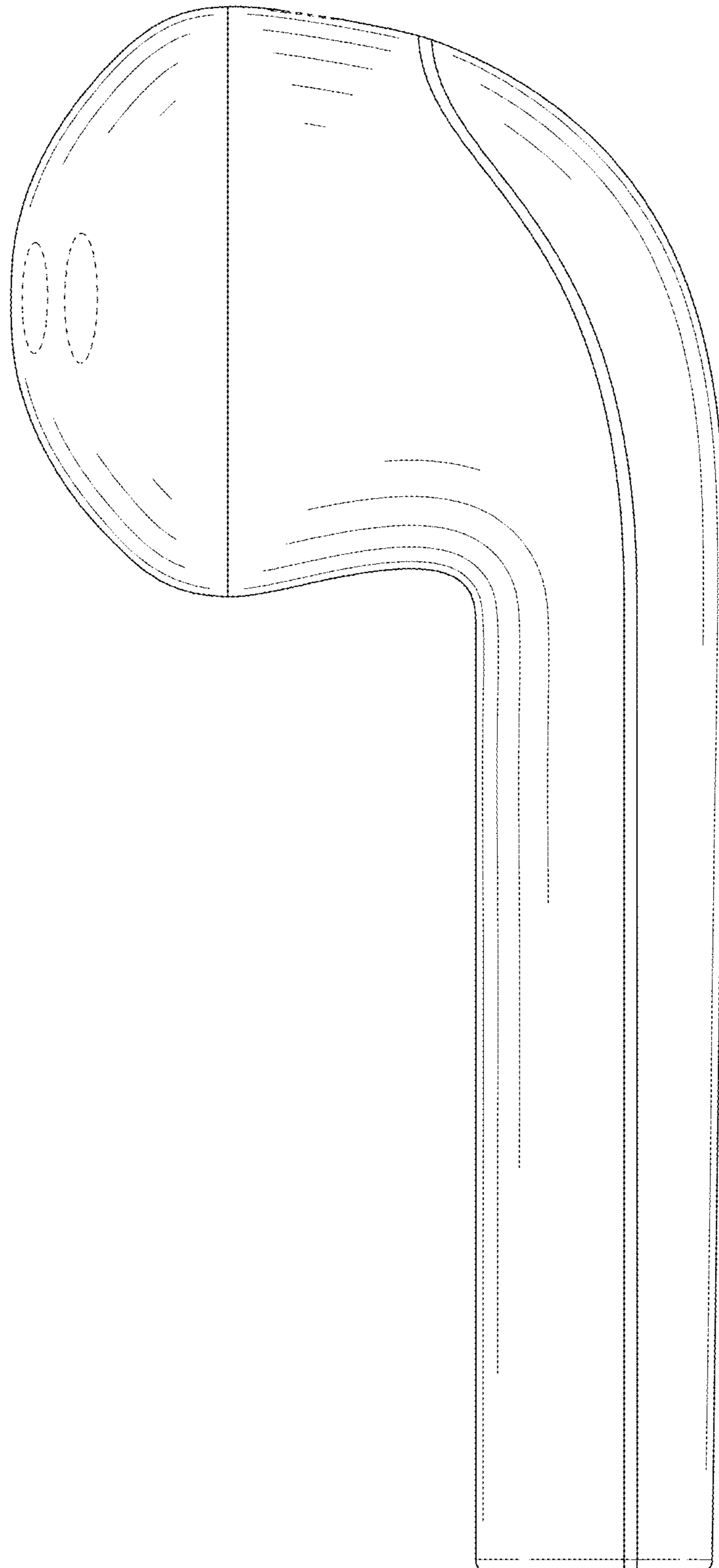


FIG. 5

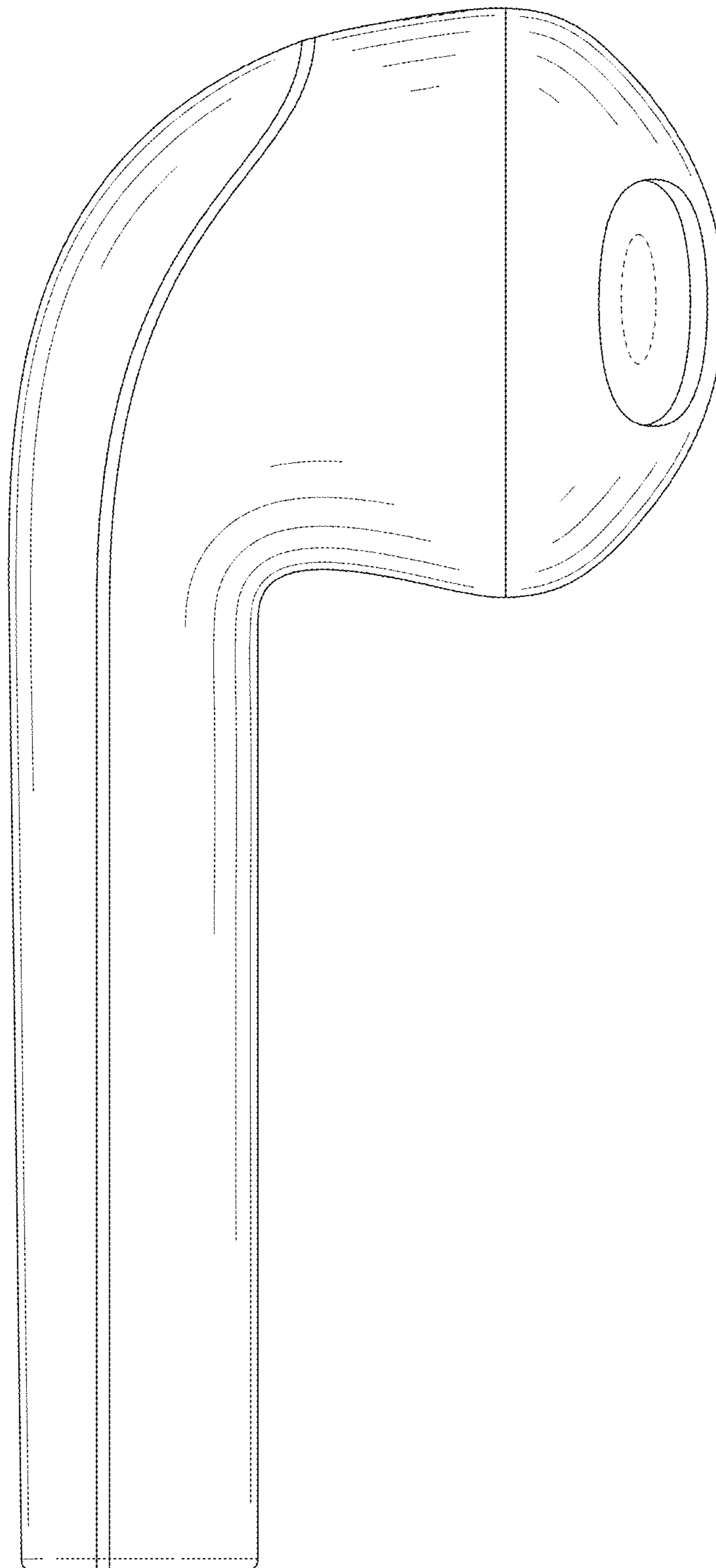


FIG. 6

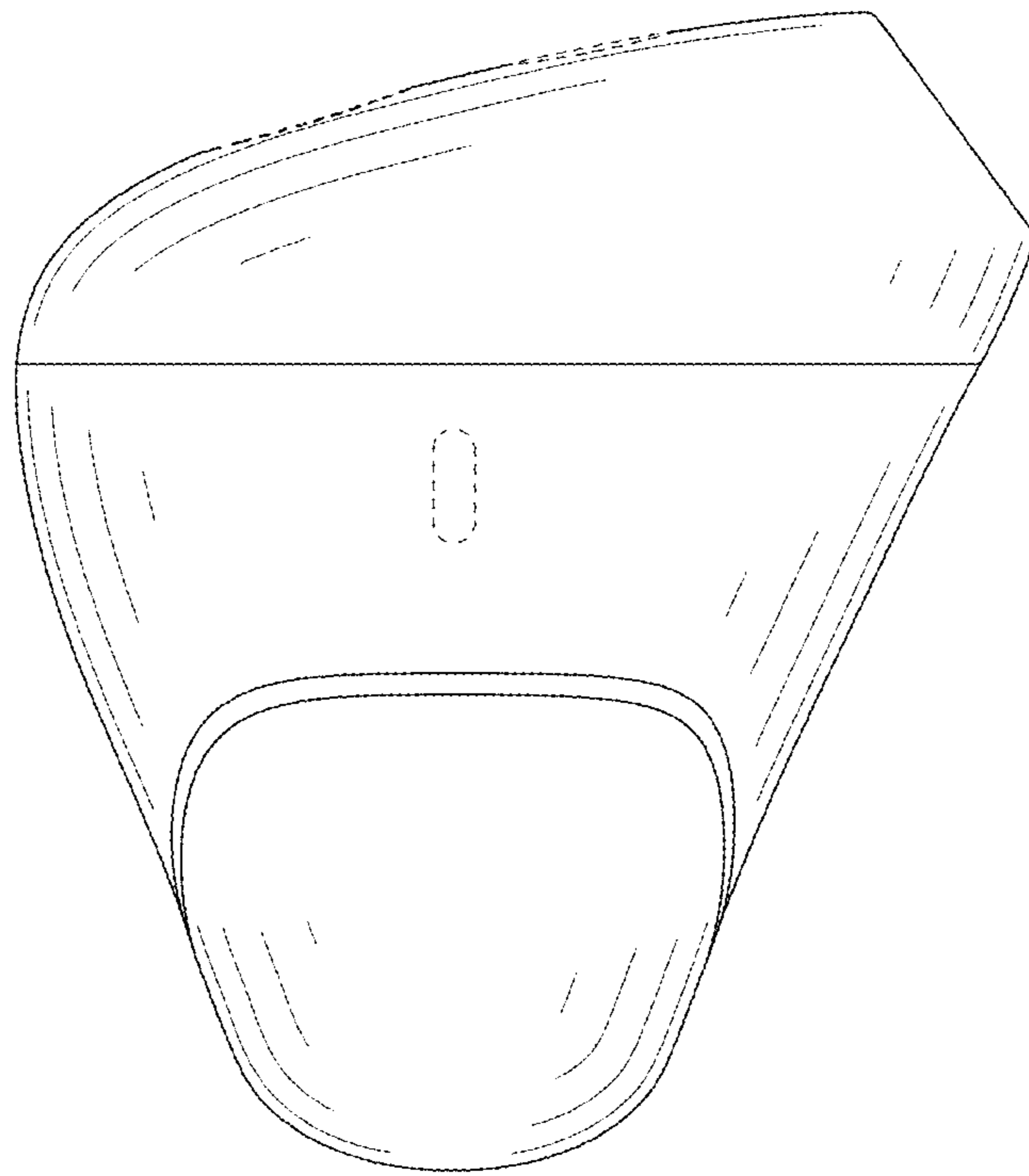


FIG. 7

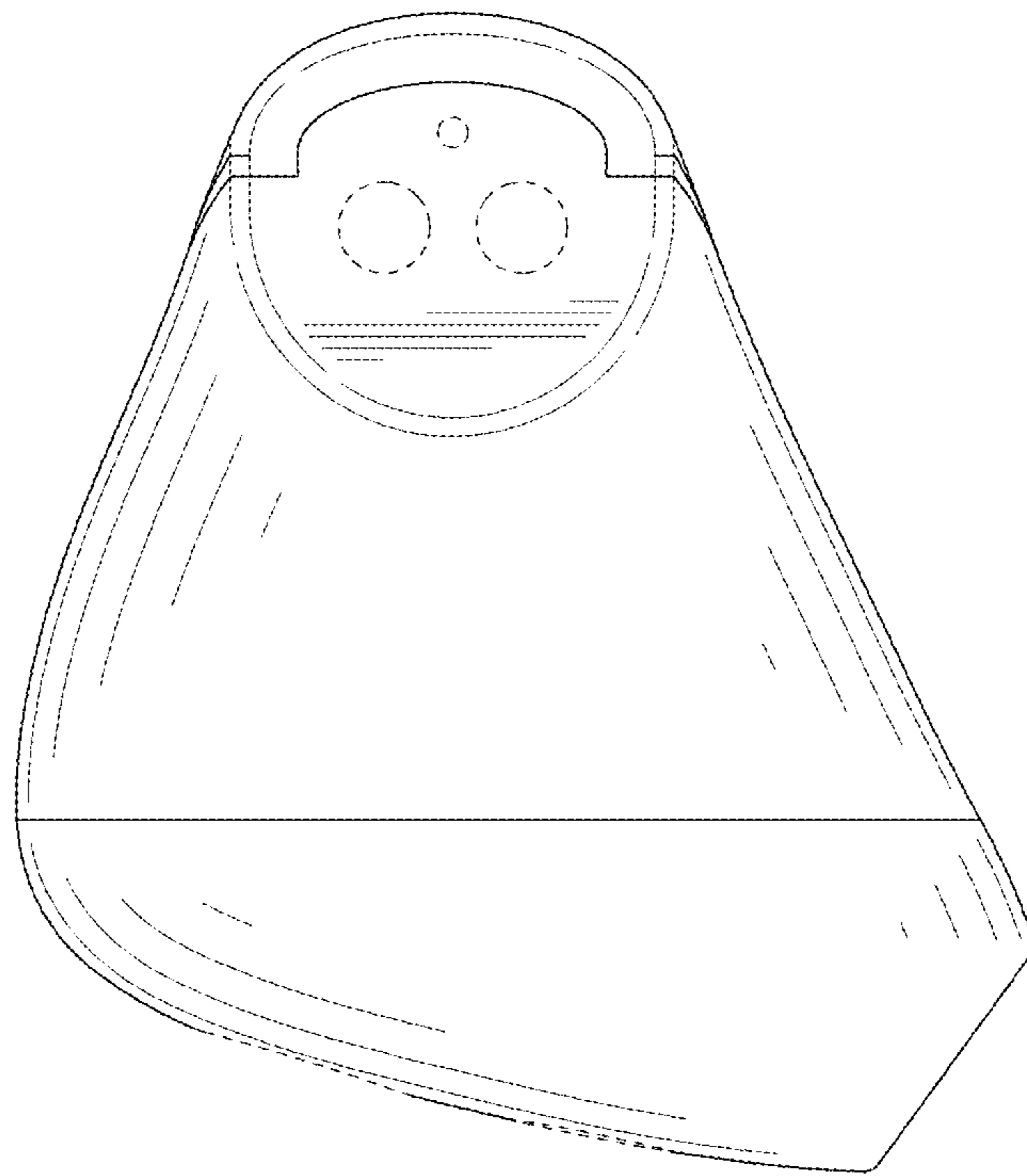


FIG. 8