



US00D973027S

(12) **United States Design Patent** (10) **Patent No.:** **US D973,027 S**
Rabello et al. (45) **Date of Patent:** **** Dec. 20, 2022**

(54) **JUNCTION BOX FOR FIBER AND POWER CABLES**
(71) Applicant: **CommScope Technologies LLC**,
Hickory, NC (US)
(72) Inventors: **Jose Antonio Torres Rabello**, Orland
Park, IL (US); **Nahid Islam**, Westmont,
IL (US); **Marcus Jonathan Ash**,
Manhattan, IL (US); **Bhavin Kadakia**,
Plainfield, IL (US)

5,814,905 A * 9/1998 Tang H04N 7/104
307/119
D401,226 S * 11/1998 Inoko D13/184
D402,293 S * 12/1998 Kodaira D13/152
D404,712 S * 1/1999 Hsiang D13/152
D404,713 S * 1/1999 Hsiang D13/151
D405,054 S * 2/1999 Takahashi D13/152
D410,630 S * 6/1999 Kodaira D13/152
D422,566 S * 4/2000 Benedetto D13/152
D424,523 S * 5/2000 Hughes D13/152

(Continued)

(73) Assignee: **CommScope Technologies LLC**,
Hickory, NC (US)

WO 2009/058882 A2 5/2009

FOREIGN PATENT DOCUMENTS

(**) Term: **15 Years**

OTHER PUBLICATIONS

(21) Appl. No.: **29/686,417**

Notification of Transmittal of the International Search Report and
the Written Opinion of the International Searching Authority, or the
Declaration, in corresponding PCT Application No. PCT/US2020/
023753 (13 pages) (Jul. 10, 2020).

(22) Filed: **Apr. 4, 2019**

(51) **LOC (13) Cl.** **13-03**

Primary Examiner — Rhea Shields

(52) **U.S. Cl.**
USPC **D13/152**

(74) *Attorney, Agent, or Firm* — Myers Bigel, P.A.

(58) **Field of Classification Search**
USPC D13/152, 151, 123, 155, 184; D14/137;
D10/96, 49; D12/213
CPC H01R 25/003; H01R 24/52; H04N 7/104;
H02G 3/126; H02G 3/12
See application file for complete search history.

(57) **CLAIM**

The ornamental design for a junction box for fiber and power
cables, as shown and described.

DESCRIPTION

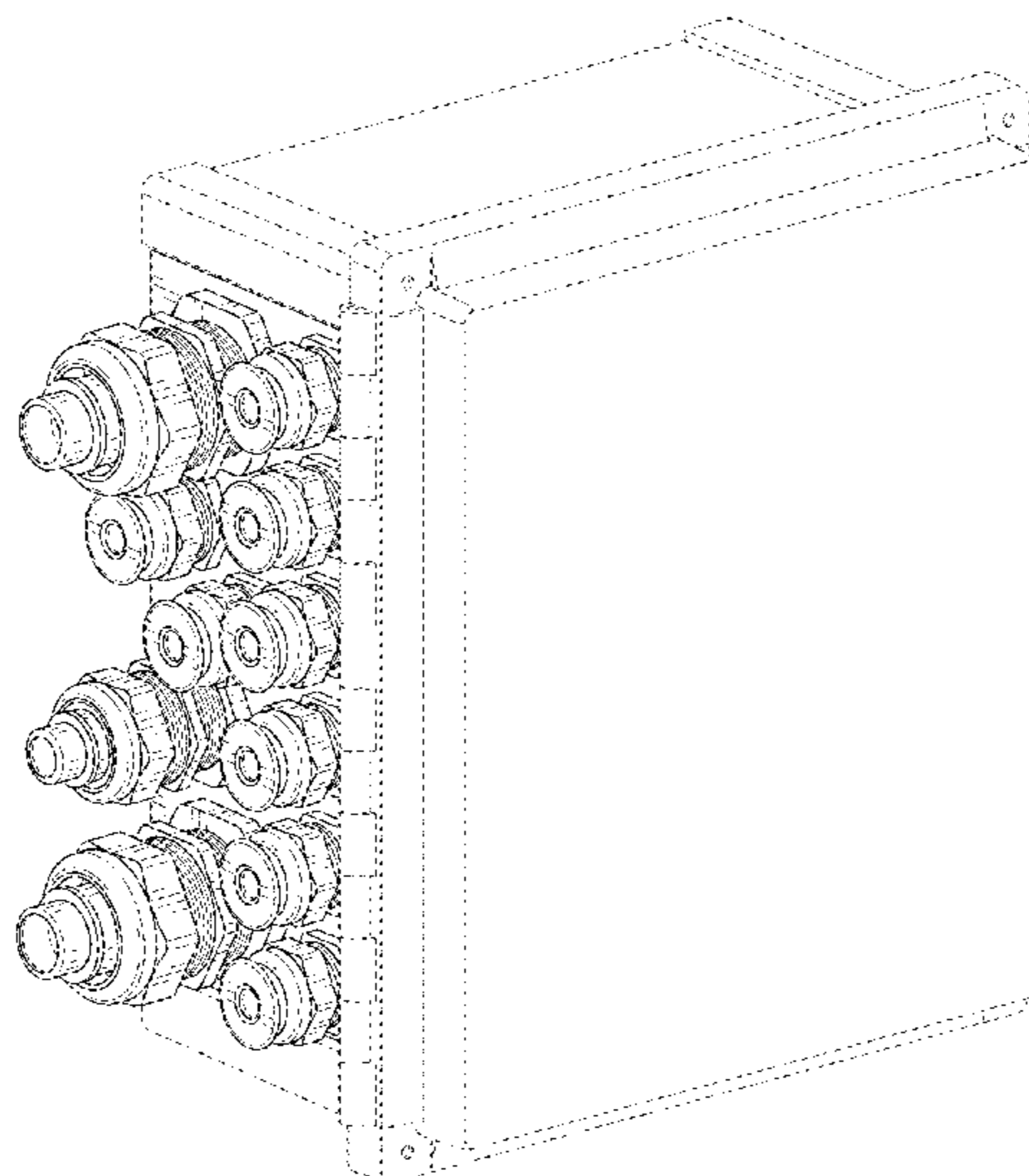
(56) **References Cited**

U.S. PATENT DOCUMENTS

D180,844 S * 8/1957 Poliakoff D10/49
4,887,979 A * 12/1989 Jacobs H01R 24/52
439/578
D312,244 S * 11/1990 Collins D13/184
D312,460 S * 11/1990 Smith D13/152
D335,650 S * 5/1993 Powell D13/152
D336,074 S * 6/1993 Friend D13/184
D339,794 S * 9/1993 Powell D13/152
D396,691 S * 8/1998 Shen D13/151
D396,693 S * 8/1998 Shen D12/213

FIG. 1 is a bottom perspective view of a junction box for
fiber and power cables showing our design;
FIG. 2 is a front view thereof;
FIG. 3 is a rear view thereof;
FIG. 4 is a bottom view thereof;
FIG. 5 is a top view thereof;
FIG. 6 is a side view thereof; and,
FIG. 7 is an opposing side view thereof.
In the drawings, the broken lines are for the purpose of
illustrating portions of the junction box for fiber and power
cables which form no part of the claimed design.

1 Claim, 6 Drawing Sheets



(56)

References Cited

U.S. PATENT DOCUMENTS

D426,192 S *	6/2000	Rathbun	D13/123	D721,041 S *	1/2015	Badowski	D13/152
D438,198 S *	2/2001	Sakakieda	D14/137	D722,978 S *	2/2015	Hagarty	D13/152
6,261,125 B1 *	7/2001	Yeh	H04N 7/104	9,106,981 B2	8/2015	Vastmans et al.		
				348/E7.053	D752,520 S *	3/2016	Hagarty	D13/152
D461,779 S *	8/2002	Hughes	D13/152	9,310,578 B2	4/2016	Vastmans et al.		
D462,059 S *	8/2002	Hughes	D13/152	D768,086 S *	10/2016	Leung	D13/152
D462,328 S *	9/2002	Hughes	D13/152	9,547,145 B2	1/2017	Cox et al.		
D462,329 S *	9/2002	Hughes	D13/152	9,739,969 B2	8/2017	Vastmans et al.		
6,715,619 B2	4/2004	Kim et al.			D825,471 S *	8/2018	Wang	D13/155
D506,183 S *	6/2005	Hull	D13/152	D864,004 S *	10/2019	Krissel	D10/96
D507,539 S *	7/2005	Hull	D13/152	D887,366 S *	6/2020	Madathil Sankarankutty Nair	D13/152
7,031,588 B2	4/2006	Cowley et al.							
D531,129 S *	10/2006	Muto	D13/152	D918,844 S *	5/2021	Wang	D13/152
D538,751 S *	3/2007	Kiely	D13/152	D924,815 S *	7/2021	Yu	D13/184
7,432,440 B2 *	10/2008	Hull	H02G 3/126	2003/0092323 A1 *	5/2003	Chou	H01R 25/003
				174/58					439/650
D640,204 S *	6/2011	Albag	D13/152	2014/0314385 A1	10/2014	Miller et al.		
8,701,911 B2 *	4/2014	Youssef	H02G 3/12	2015/0139598 A1	5/2015	Barnes et al.		
				220/3.9	2016/0033730 A1	2/2016	Vastmans et al.		
					2018/0039038 A1	2/2018	Vastmans et al.		

* cited by examiner

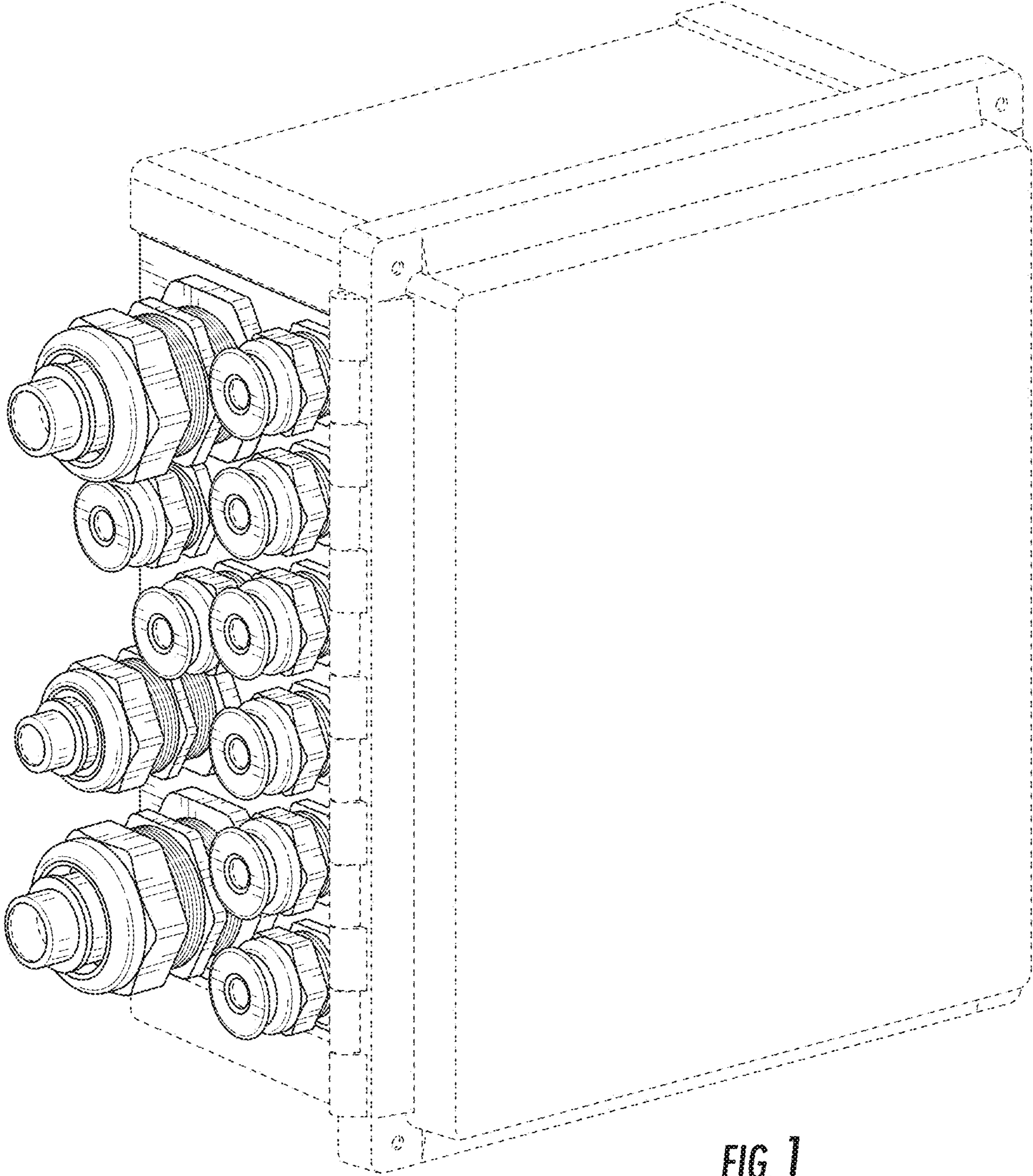


FIG. 1

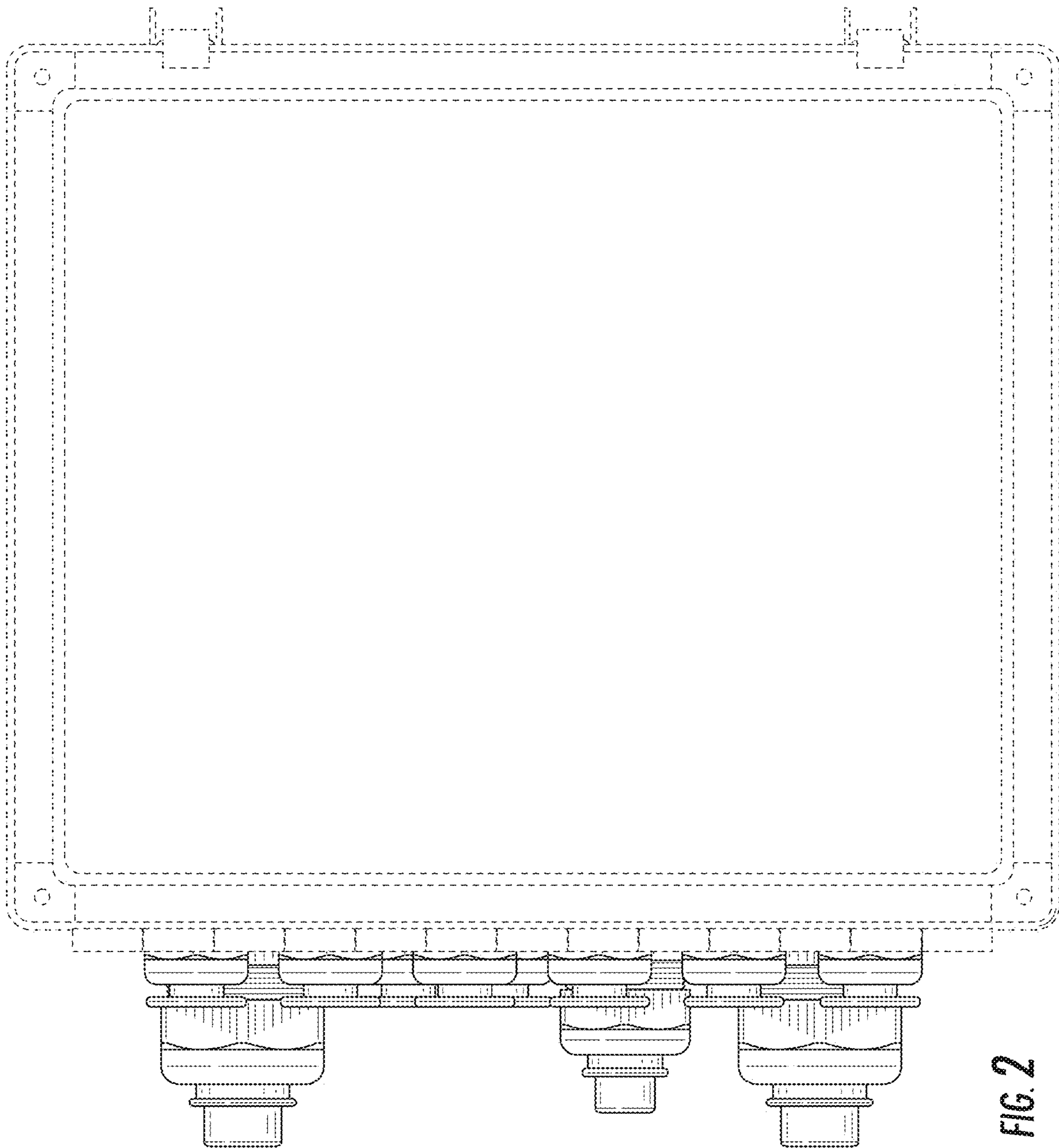


FIG. 2

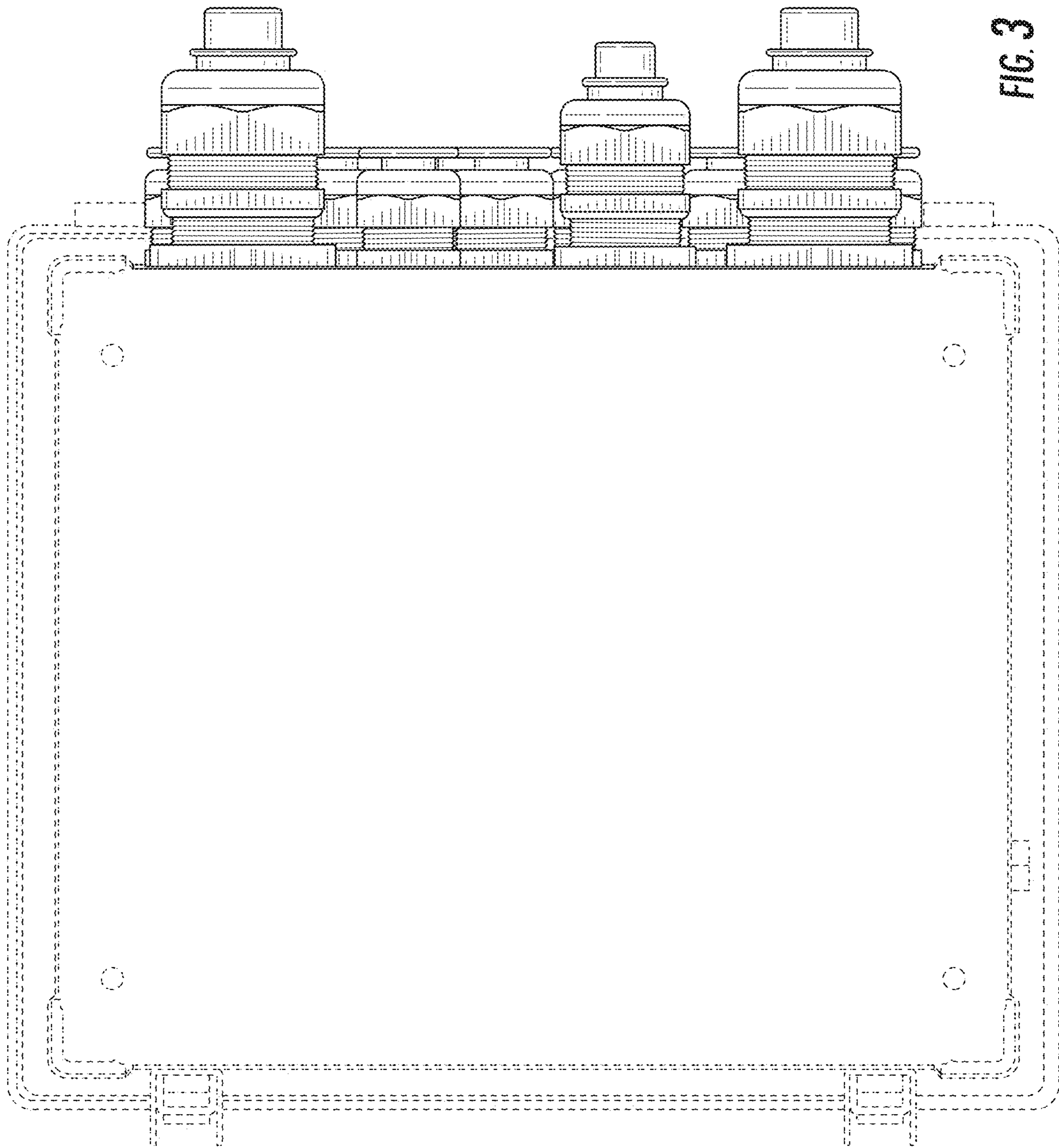


FIG. 3

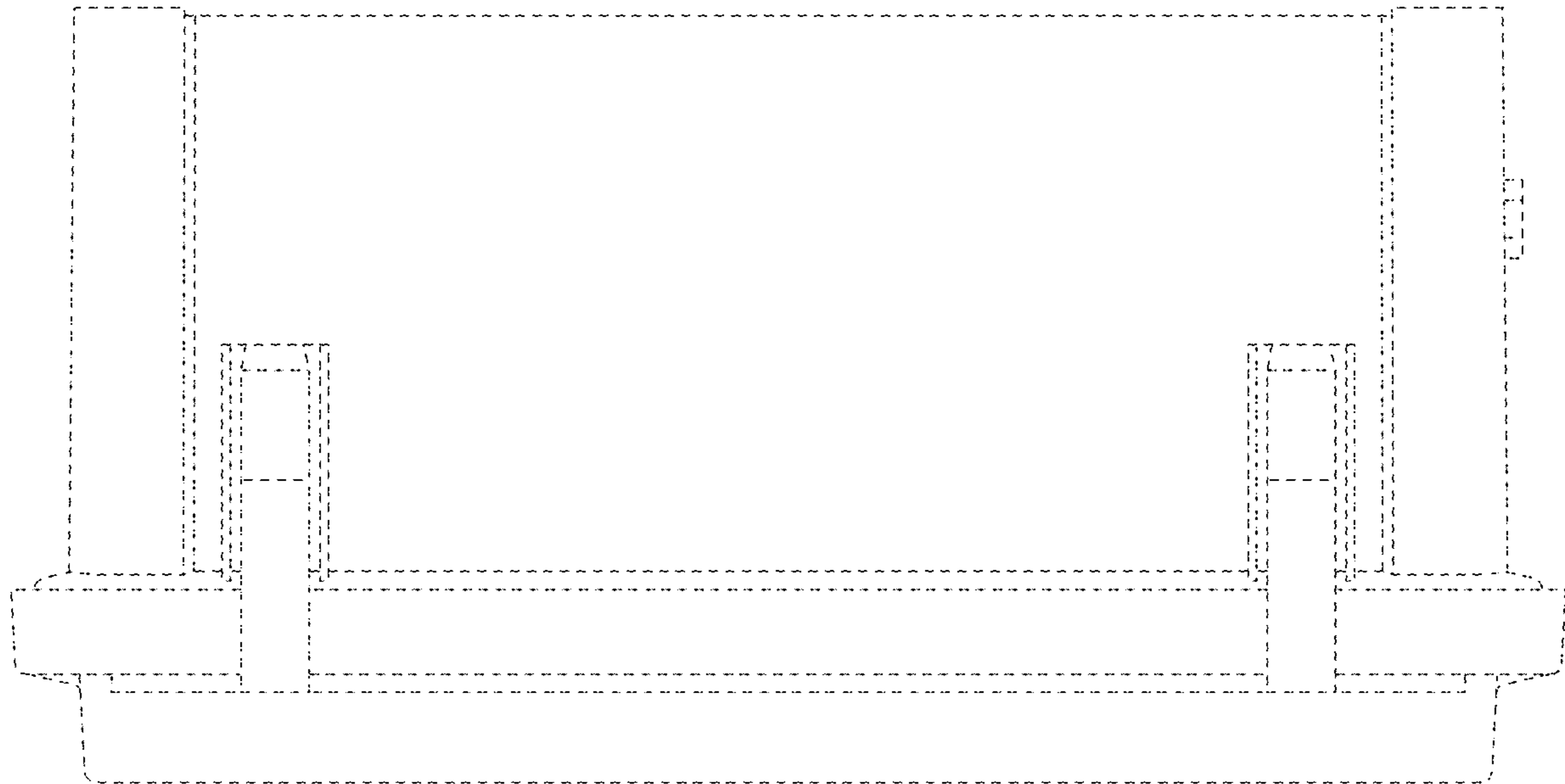


FIG. 5

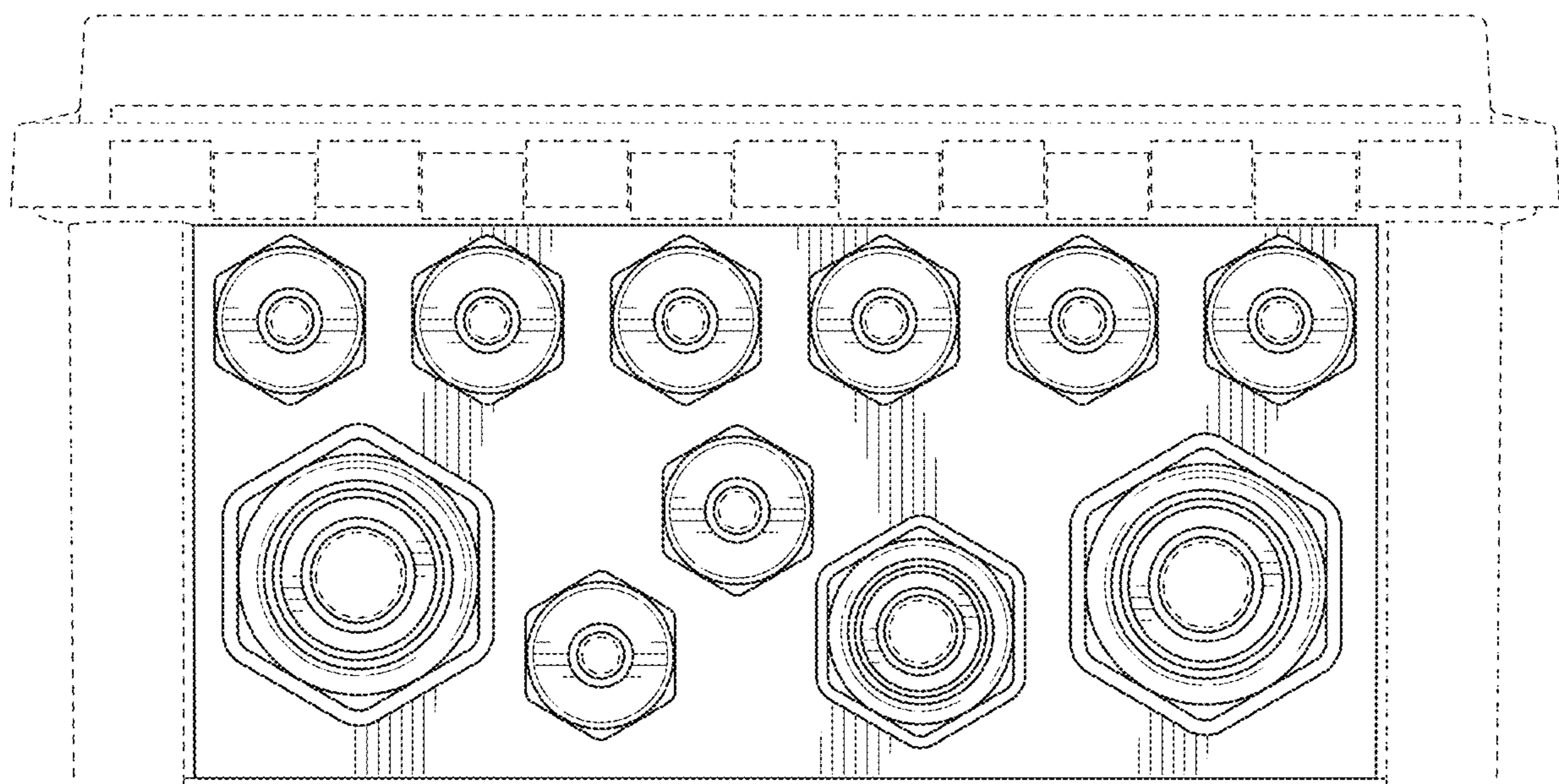


FIG. 4

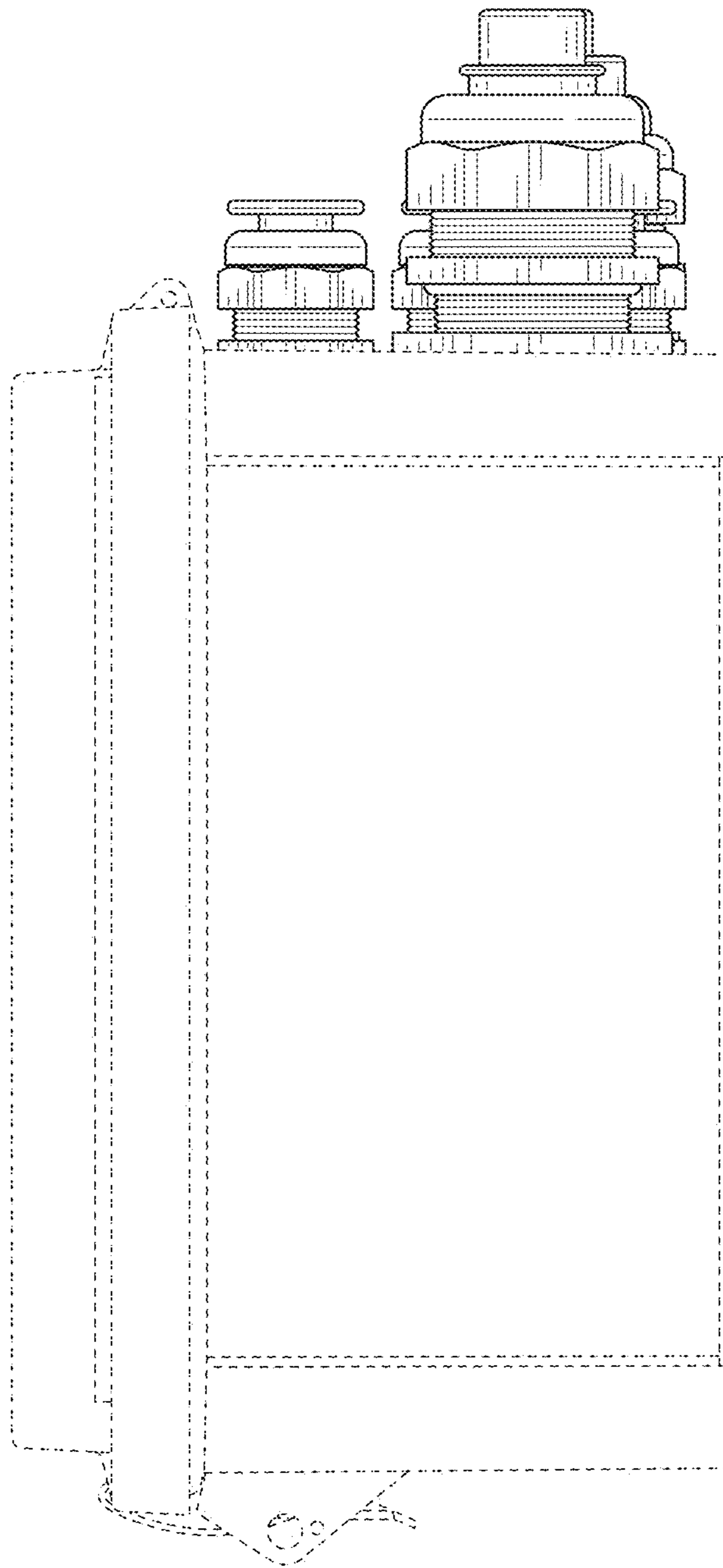


FIG. 6

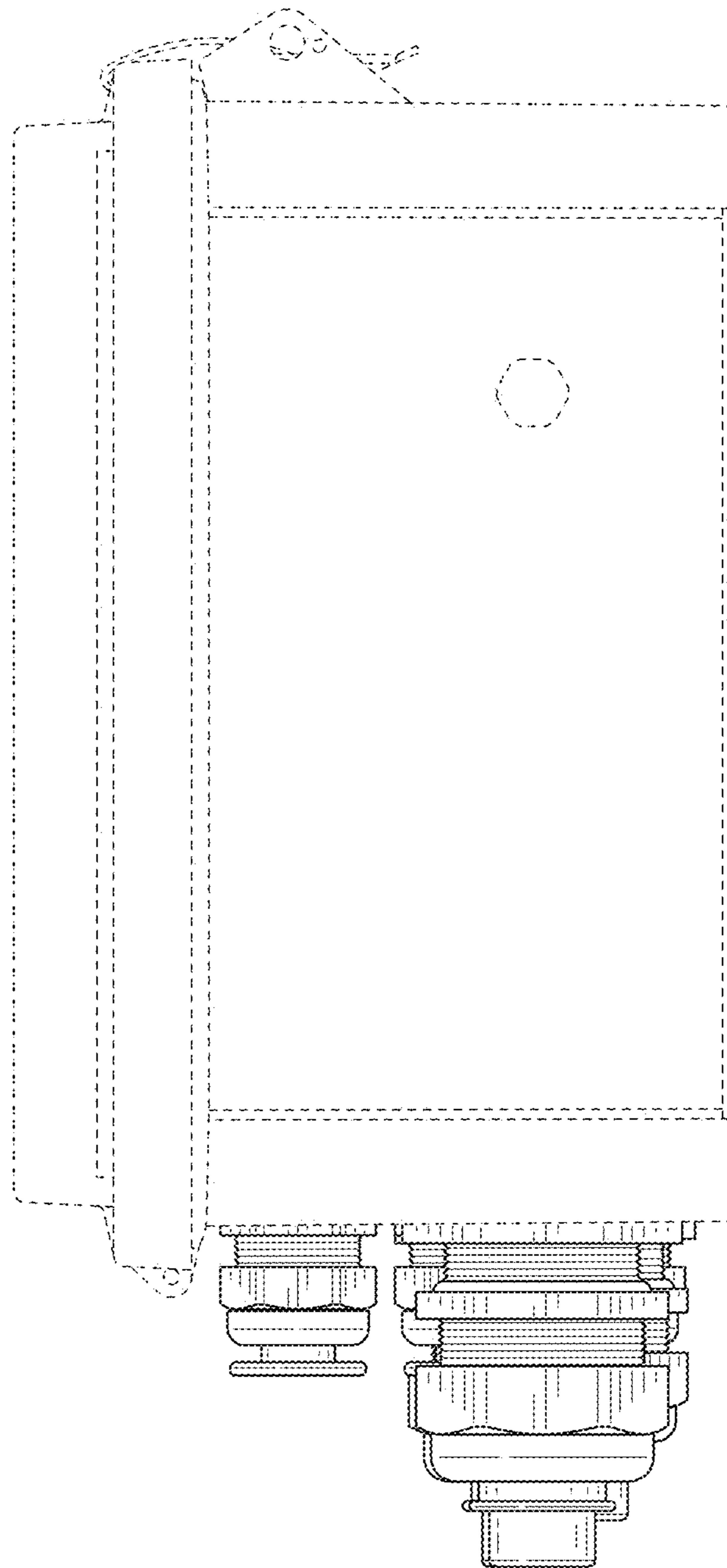


FIG. 7