

US00D973023S

(12) **United States Design Patent** (10) **Patent No.:** **US D973,023 S**
Okayasu et al. (45) **Date of Patent:** **** Dec. 20, 2022**

(54) **ELECTRICAL CONNECTOR**
(71) Applicant: **SUMITOMO WIRING SYSTEMS, LTD.**, Mie-ken (JP)
(72) Inventors: **Yasushi Okayasu**, Yokkaichi (JP); **Asuka Kobayashi**, Yokkaichi (JP)
(73) Assignee: **SUMITOMO WIRING SYSTEMS, LTD.**, Mie-Ken (JP)
(**) Term: **15 Years**
(21) Appl. No.: **29/771,701**
(22) Filed: **Feb. 24, 2021**

(30) **Foreign Application Priority Data**
Aug. 27, 2020 (JP) 2020-018007 D
(51) **LOC (13) Cl.** **13-03**
(52) **U.S. Cl.**
USPC **D13/133**
(58) **Field of Classification Search**
USPC D10/78; D13/119, 120, 133-136, D13/146-147, 148, 154, 160, 162, 199
CPC H01R 13/506; H01R 13/5202; H01R 13/5205; H01R 13/62938; H01R 13/6596; H01R 35/025; H01R 4/34; H02G 3/0462
See application file for complete search history.

(56) **References Cited**
U.S. PATENT DOCUMENTS
D389,457 S * 1/1998 Beranek D13/133
D511,469 S * 11/2005 Aromin D13/160
D595,170 S * 6/2009 Masters D10/78
D751,434 S * 3/2016 Nadeau D10/78
9,293,878 B2 * 3/2016 Tashiro H01R 35/025
9,343,842 B2 * 5/2016 Tashiro H01R 13/506
D902,866 S * 11/2020 Neumann D13/146
2011/0312201 A1 * 12/2011 Deno H01R 13/5205
439/271

2012/0142214 A1 * 6/2012 Kawamura H01R 4/34
439/571
2012/0270444 A1 * 10/2012 Kawamura H01R 13/5202
439/607.44
2014/0004740 A1 * 1/2014 Uno H01R 13/6596
439/607.58
2015/0295352 A1 * 10/2015 Kim H01R 13/62938
439/157
2016/0284439 A1 * 9/2016 Suzuki H02G 3/0462

FOREIGN PATENT DOCUMENTS

WO WO-2021172044 A1 * 9/2021
WO WO-2021172045 A1 * 9/2021
WO WO-2021172047 A1 * 9/2021
WO WO-2021172048 A1 * 9/2021

* cited by examiner

Primary Examiner — Shawn T Gingrich
Assistant Examiner — Bryan N. Melvin
(74) *Attorney, Agent, or Firm* — Cantor Colburn LLP

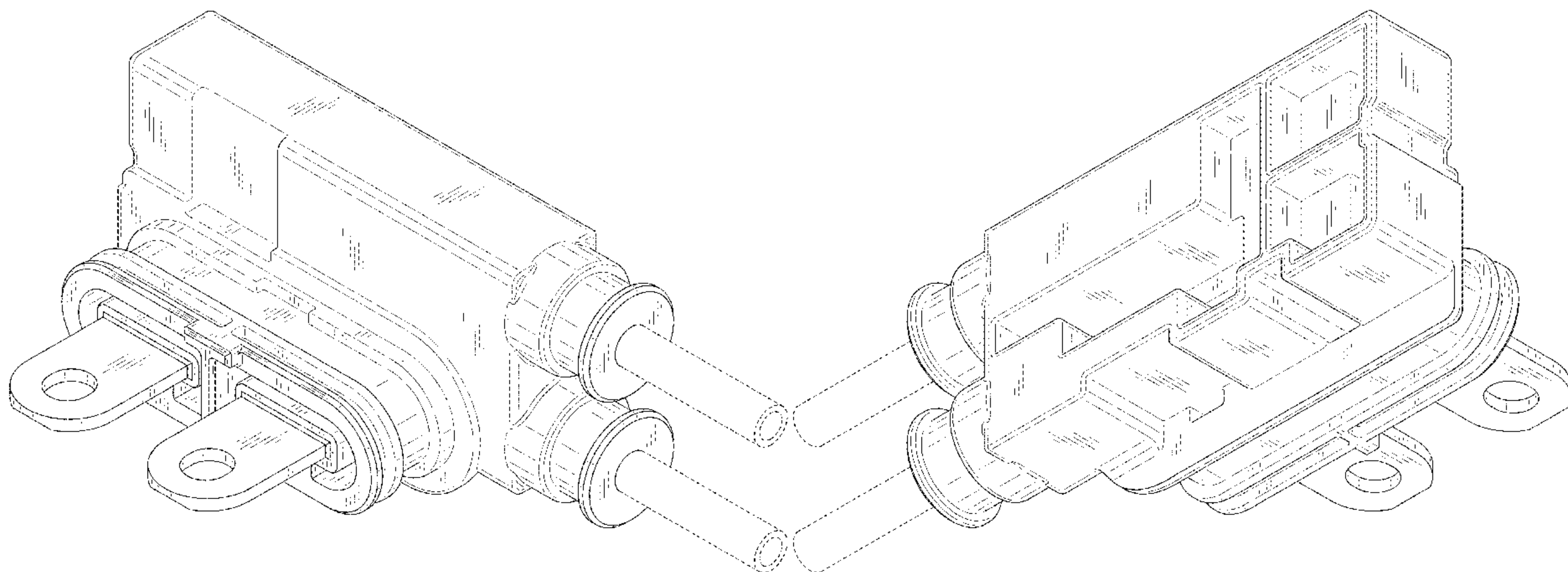
(57) **CLAIM**

The ornamental design for an electrical connector, as shown and described.

DESCRIPTION

FIG. 1 is a front, top and right side perspective view of an electrical connector showing our new design;
FIG. 2 is a rear, bottom and left side perspective view thereof;
FIG. 3 is a front view thereof;
FIG. 4 is a rear view thereof;
FIG. 5 is a top plan view thereof;
FIG. 6 is a bottom plan view thereof;
FIG. 7 is a right side view thereof; and,
FIG. 8 is a left side view thereof.
The broken lines illustrate portions of the electrical connector that form no part of the claimed design.

1 Claim, 8 Drawing Sheets



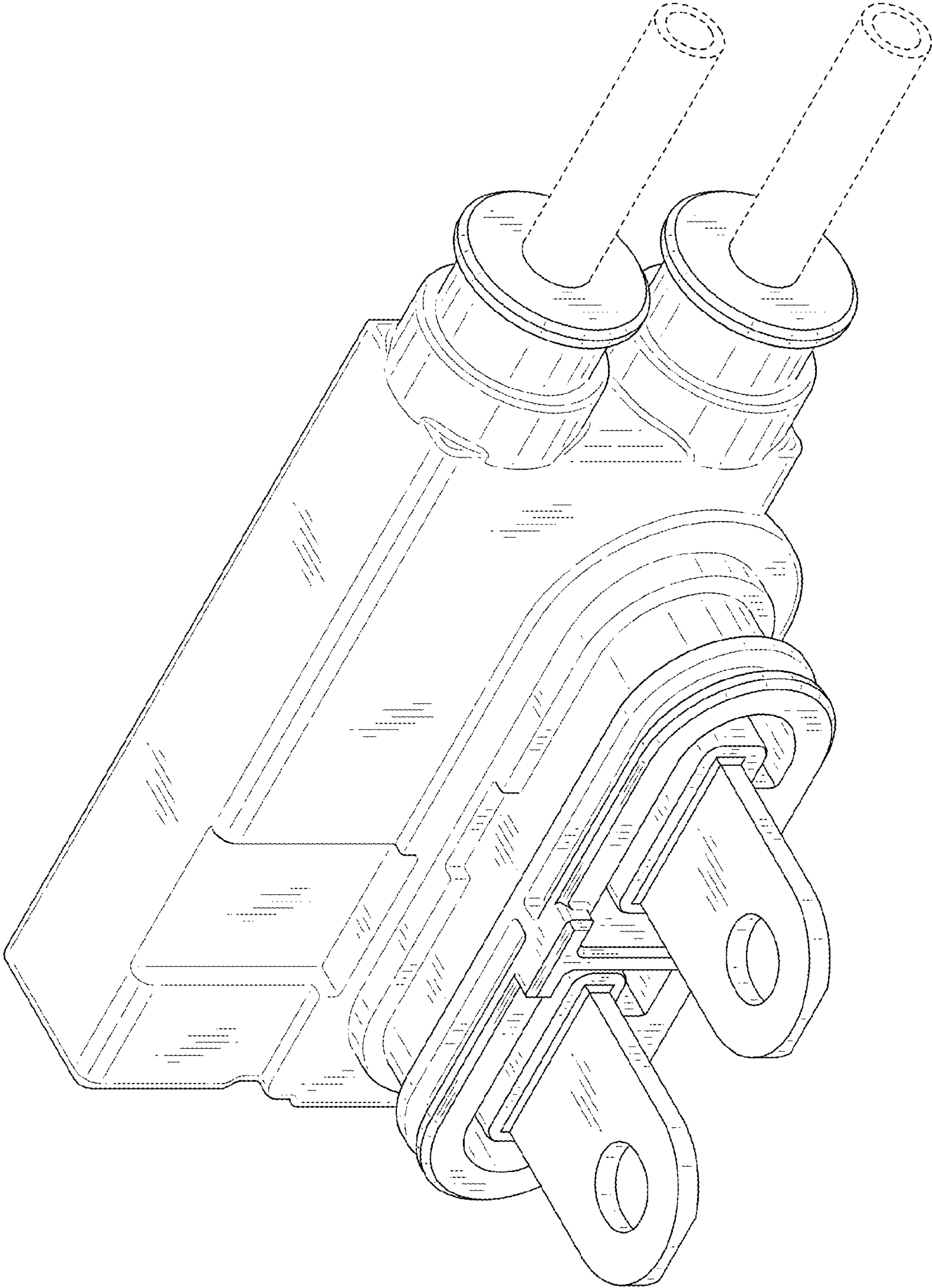


FIG.1

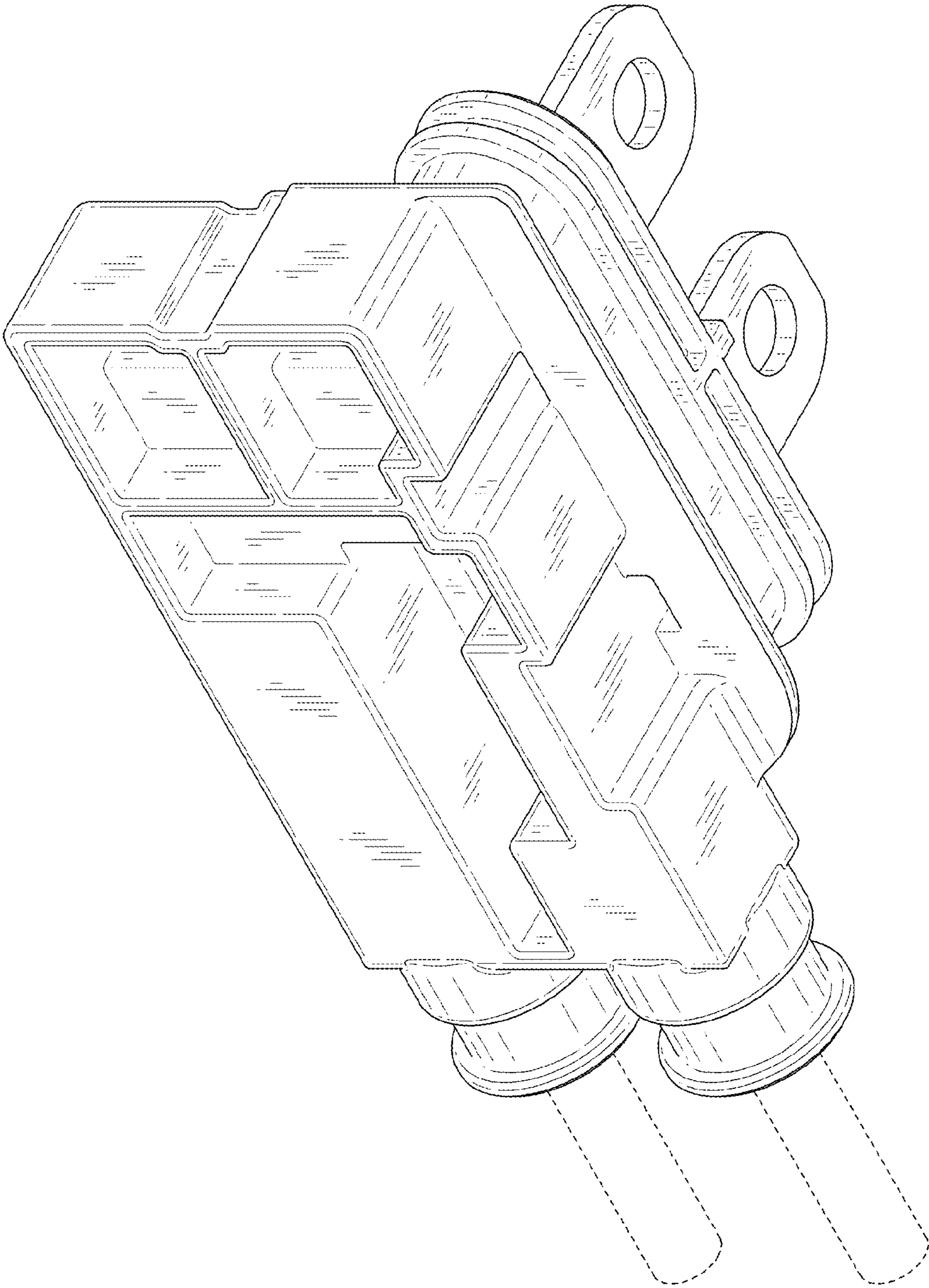


FIG.2

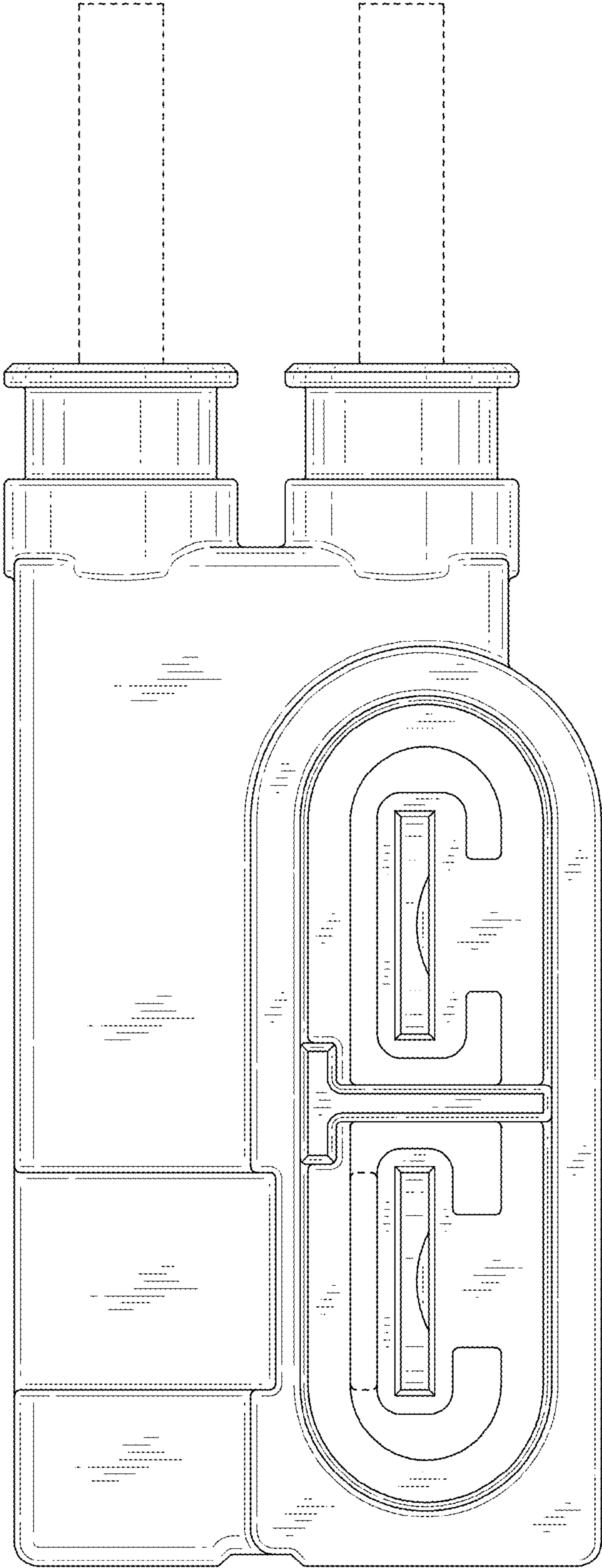


FIG.3

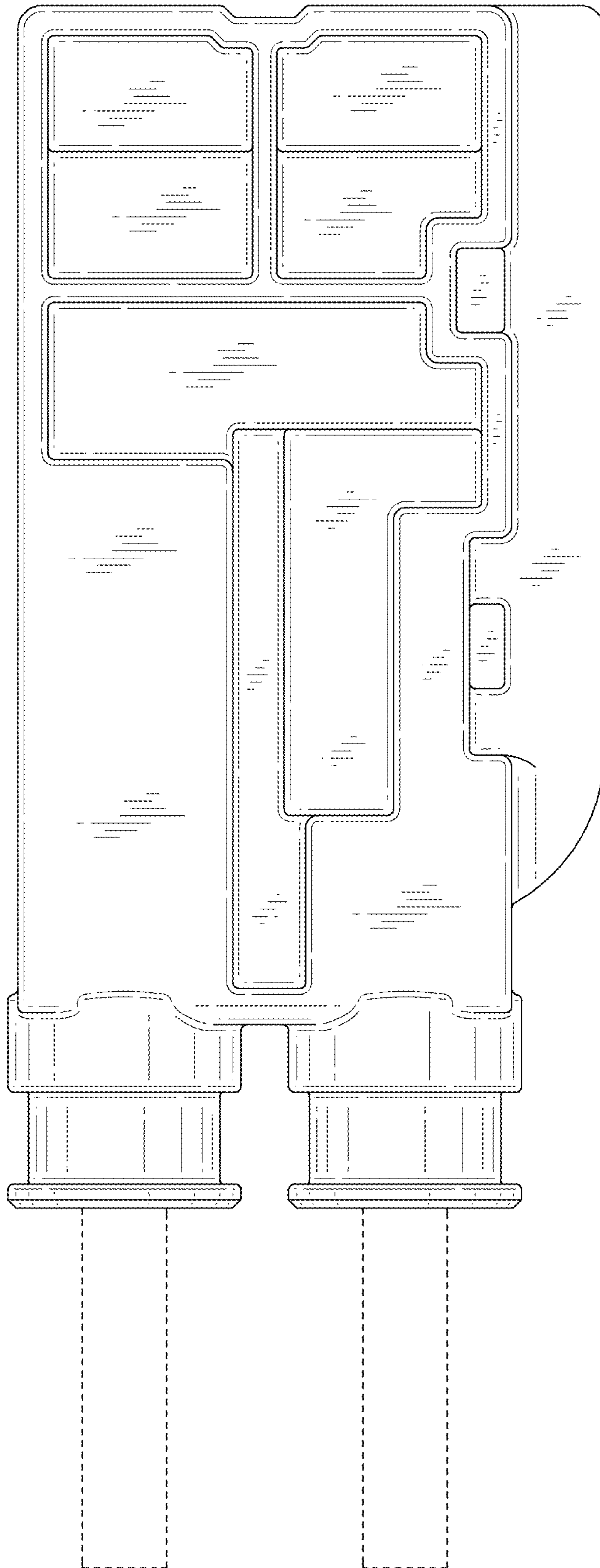


FIG.4

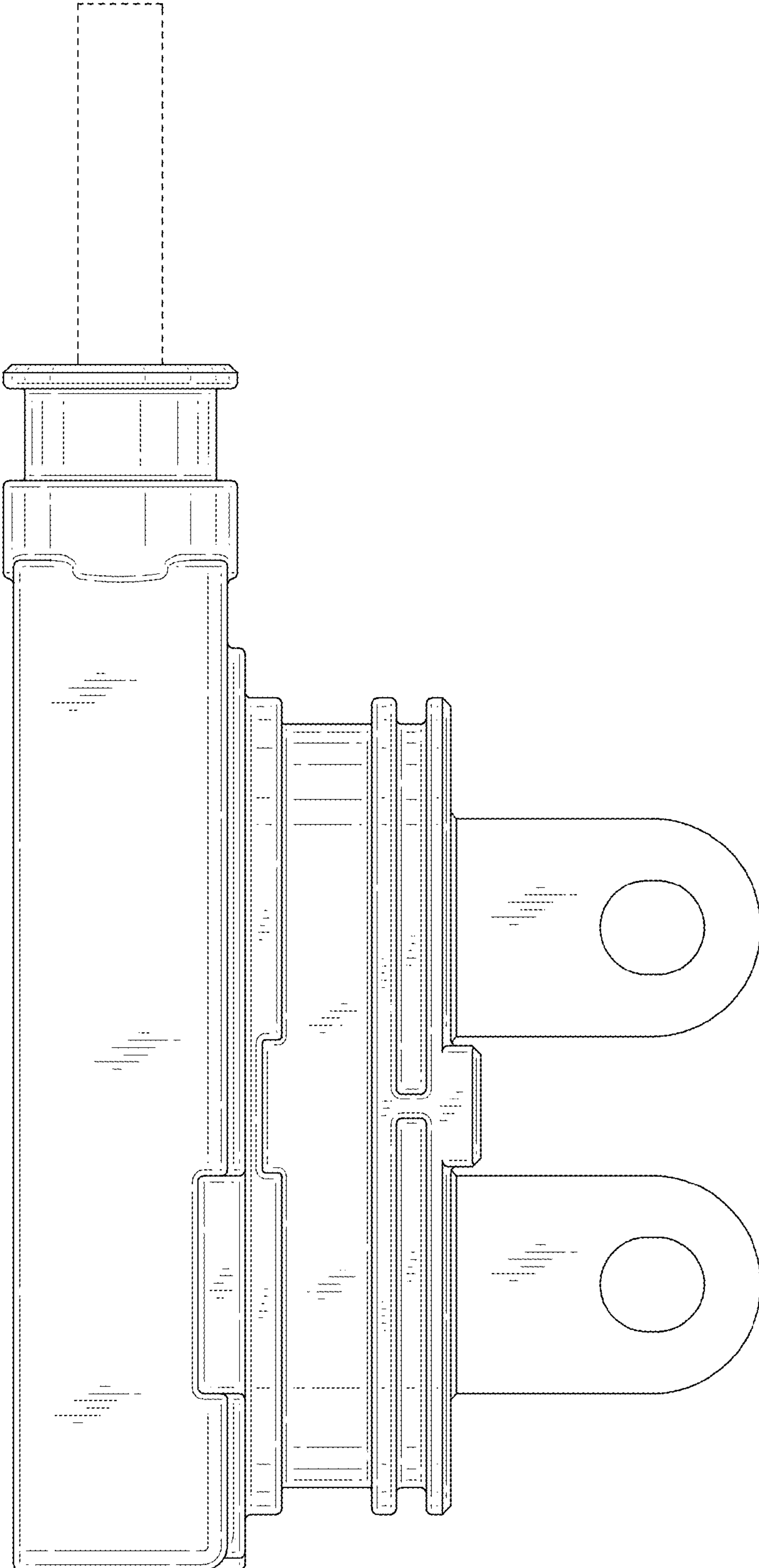


FIG.5

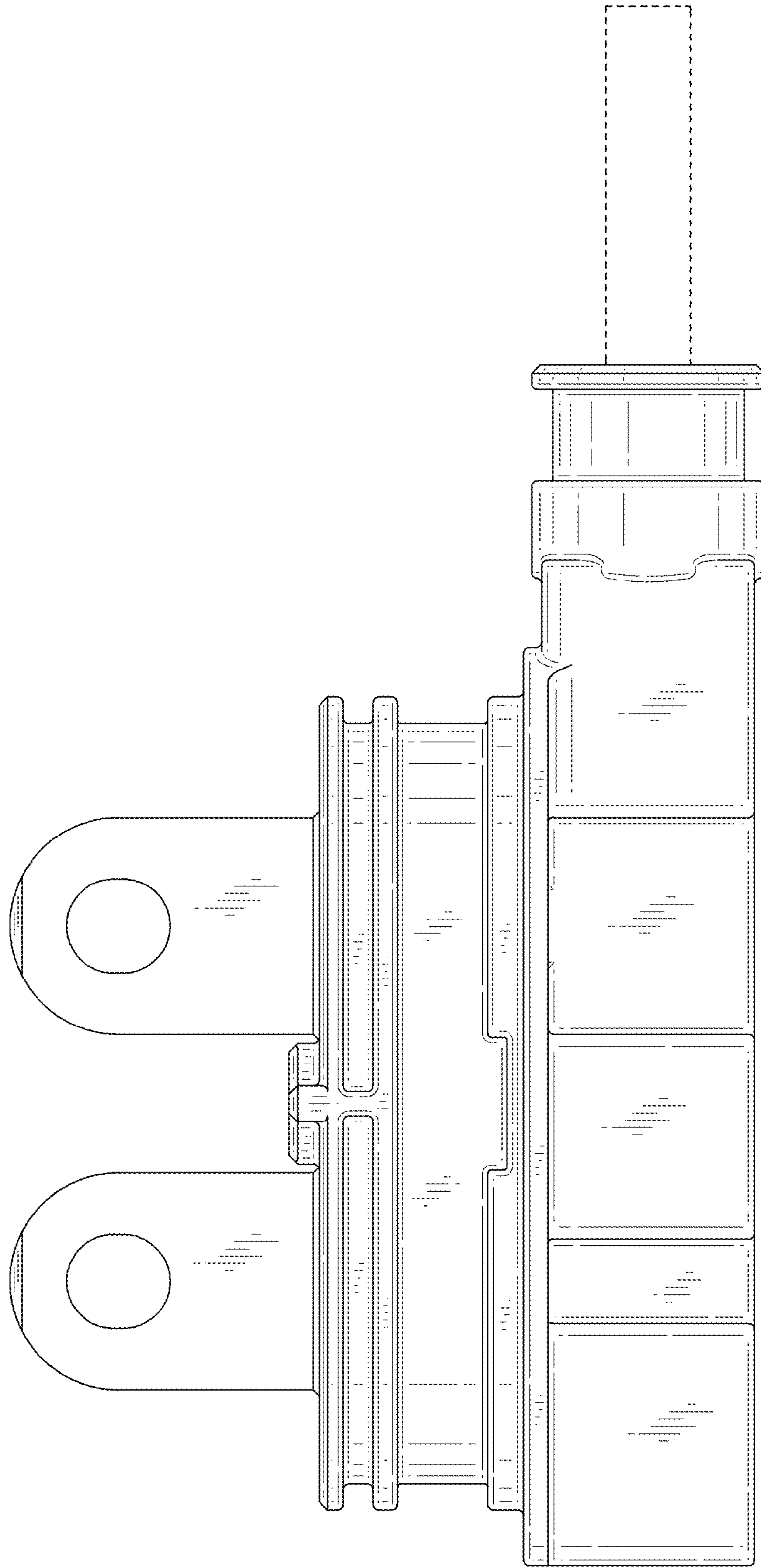


FIG.6

FIG.7

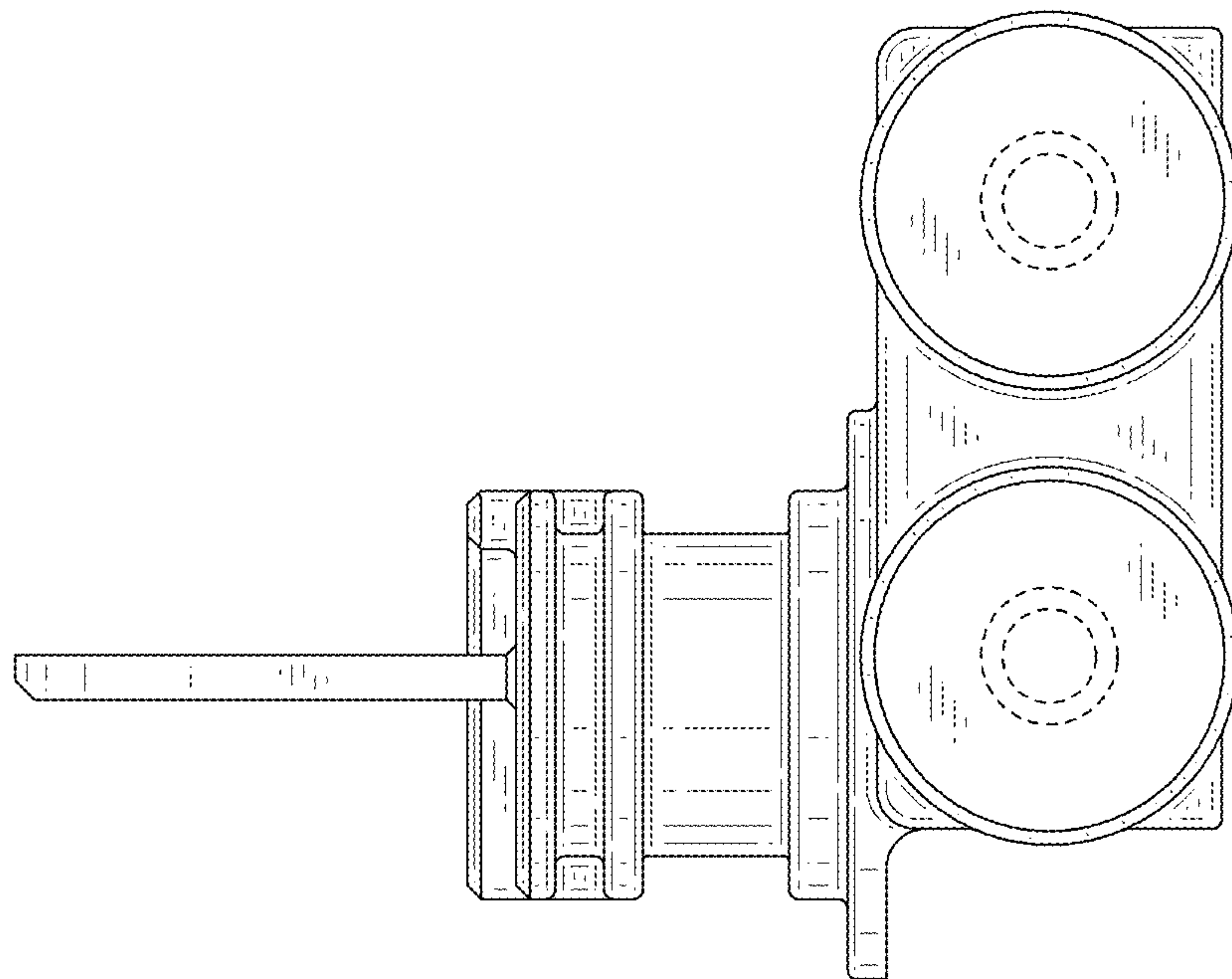


FIG.8

