

US00D973021S

(12) **United States Design Patent** (10) **Patent No.:** **US D973,021 S**  
**Ma** (45) **Date of Patent:** **\*\* Dec. 20, 2022**

(54) **MOTOR HUB** D840,872 S \* 2/2019 Desberg ..... B62K 11/007  
D21/760  
(71) Applicant: **ZHEJIANG TAOTAO VEHICLES** D857,137 S \* 8/2019 Cao ..... D21/760  
**CO., LTD., Lishui (CN)** D889,576 S \* 7/2020 Li ..... D21/763  
(Continued)

(72) Inventor: **Wenliang Ma, Lishui (CN)**

(73) Assignee: **ZHEJIANG TAOTAO VEHICLES**  
**CO., LTD., Lishui (CN)**

(\*\*) Term: **15 Years**

(21) Appl. No.: **29/652,458**

(22) Filed: **Aug. 20, 2020**

(30) **Foreign Application Priority Data**

Jul. 9, 2020 (CN) ..... 202030369075.3

(51) **LOC (13) Cl.** ..... **12-16**

(52) **U.S. Cl.**  
USPC ..... **D13/112**

(58) **Field of Classification Search**  
USPC ..... D13/112, 113, 114; D21/760; D12/1,  
D12/400  
CPC ..... B62K 11/007  
See application file for complete search history.

(56) **References Cited**

**U.S. PATENT DOCUMENTS**

D409,564 S \* 5/1999 Koshida ..... D13/112  
D610,088 S \* 2/2010 Becker ..... D13/114  
D718,658 S \* 12/2014 Cadarette ..... D12/7  
D751,036 S \* 3/2016 Svensson ..... D13/112  
D803,722 S \* 11/2017 Ying ..... D12/1  
D803,963 S \* 11/2017 Desberg ..... B62K 11/007  
D21/760  
D807,457 S \* 1/2018 Desberg ..... D12/1  
D812,521 S \* 3/2018 Yao ..... D12/1  
D818,049 S \* 5/2018 Yang ..... D21/760  
D837,323 S \* 1/2019 Desberg ..... B62K 11/007  
D21/760

**FOREIGN PATENT DOCUMENTS**

CN 202030369075.3 \* 12/2020  
CN 202130703747.4 \* 10/2021  
CN 202030606443.6 \* 12/2021

**OTHER PUBLICATIONS**

Way Back Machine, Razor.com hoverboard, published Aug. 21, 2020[retrieved on Aug. 16, 2022]. Retrieved from the internet <<https://web.archive.org/web/20210715182938/https://razor.com/products/hoverboards/>> (Year: 2020).\*

(Continued)

*Primary Examiner* — Joseph Kukella  
*Assistant Examiner* — Lavon M. Amerson  
(74) *Attorney, Agent, or Firm* — Schwegman Lundberg & Woessner, P.A.

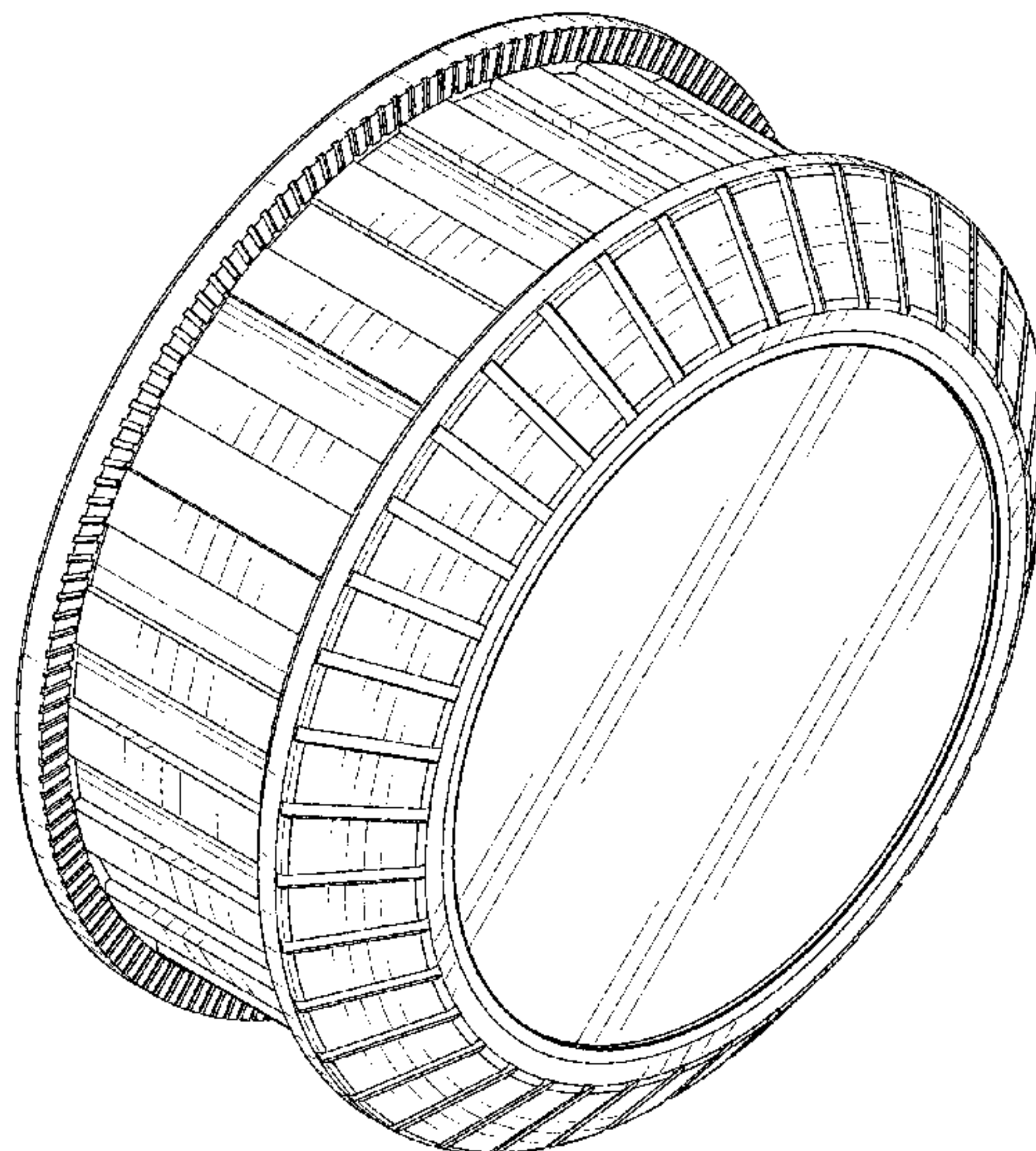
(57) **CLAIM**

The ornamental design for a motor hub, as shown and described.

**DESCRIPTION**

FIG. 1 is a top perspective view of a motor hub showing my new design according to a first embodiment;  
FIG. 2 is a bottom perspective view thereof;  
FIG. 3 is a top view thereof;  
FIG. 4 is a bottom view thereof;  
FIG. 5 is a left view thereof;  
FIG. 6 is a right view thereof;  
FIG. 7 is a front view thereof; and,  
FIG. 8 is a bottom view thereof.  
The portions of the motor hub shown in broken lines form no part of the claimed design.

**1 Claim, 8 Drawing Sheets**



(56)

**References Cited**

U.S. PATENT DOCUMENTS

D891,548	S	*	7/2020	Wang	.....	D21/763
D897,236	S	*	9/2020	Xu	.....	D12/1
D904,225	S	*	12/2020	Wang	.....	D21/760
D906,242	S	*	12/2020	Wu	.....	D13/112
D908,624	S	*	1/2021	Pope	.....	D13/112
D909,523	S	*	2/2021	Chen	.....	D21/763
D914,602	S	*	3/2021	Van Steenburg	.....	D13/112
D916,019	S	*	4/2021	Harris	.....	D13/112
D919,728	S	*	5/2021	Shen	.....	D21/763
D920,910	S	*	6/2021	Wersland	.....	D13/112
D921,585	S	*	6/2021	Pope	.....	D13/112
D921,798	S	*	6/2021	Shen	.....	D21/763
D944,349	S	*	2/2022	Zhao	.....	D21/763

OTHER PUBLICATIONS

Amazon.com, Endura 6.5 Hoverboard Wheel Assembly w/Hub Motor, published Feb. 29, 2016[retrieved on Aug. 16, 2022]. Retrieved from the internet <<https://www.amazon.com/6-5-Hoverboard-Wheel-Assembly-Motor/dp/B01N7X2L90>> (Year: 2016).\*

\* cited by examiner



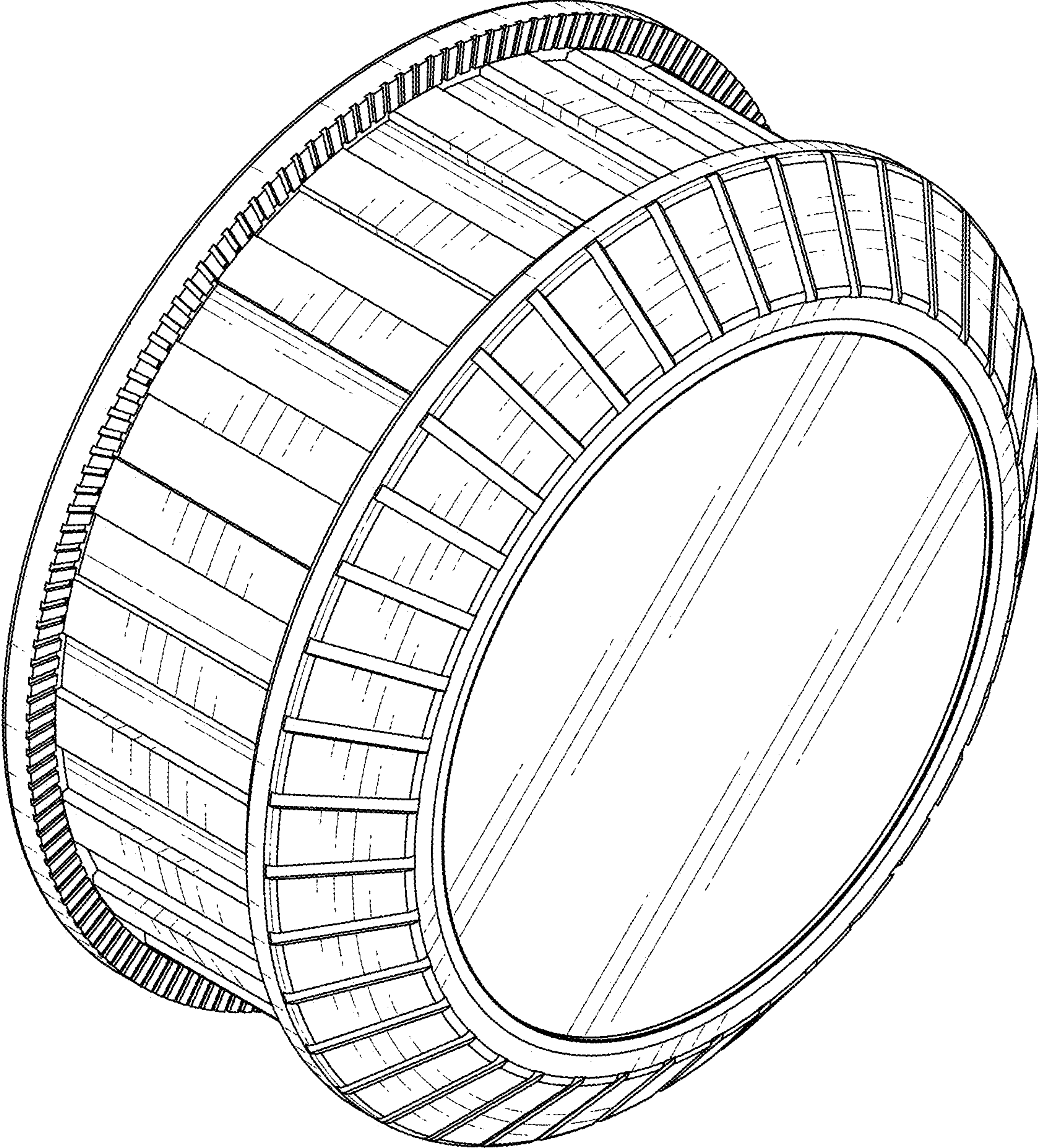


FIG. 1

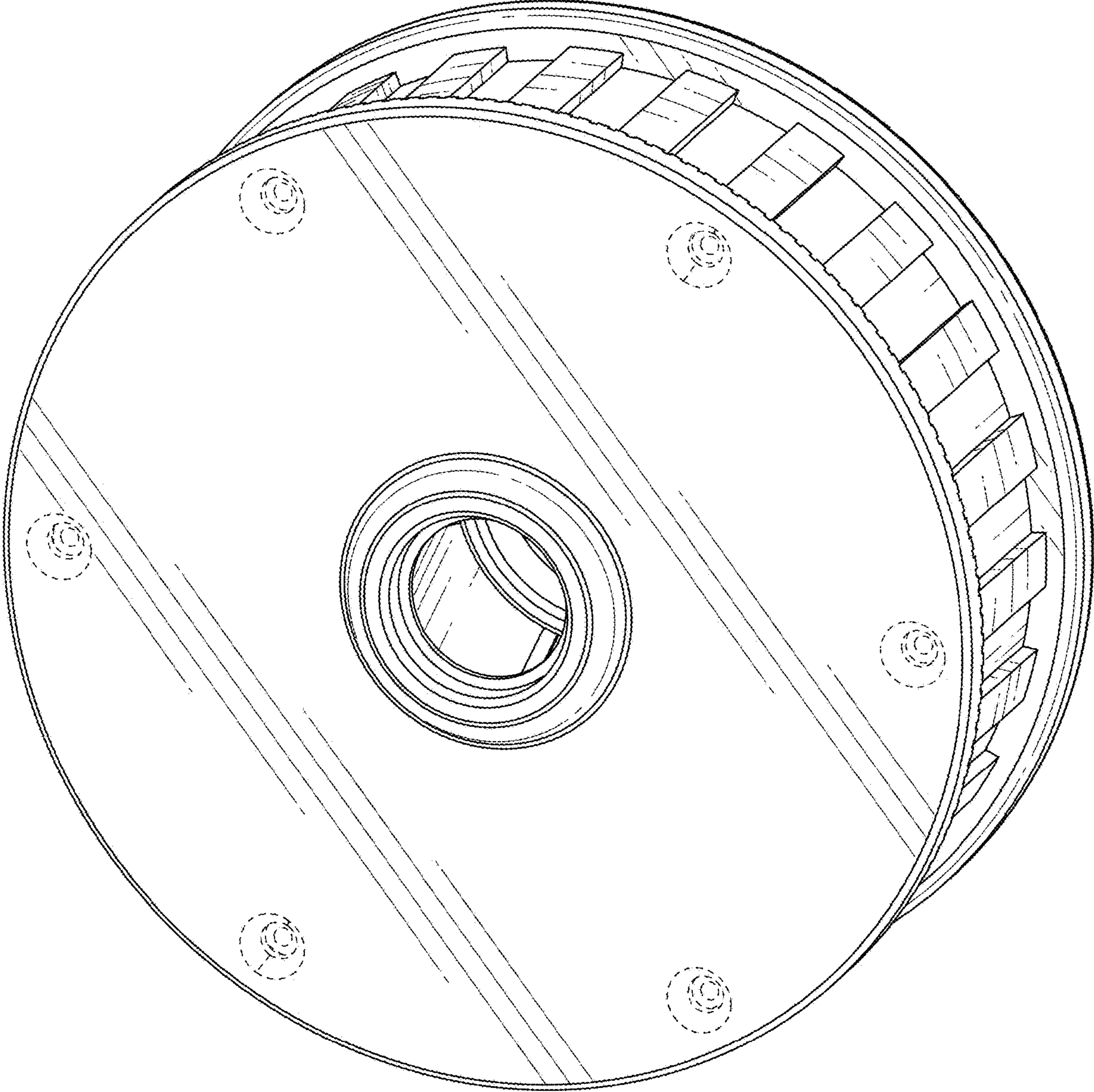


FIG. 2



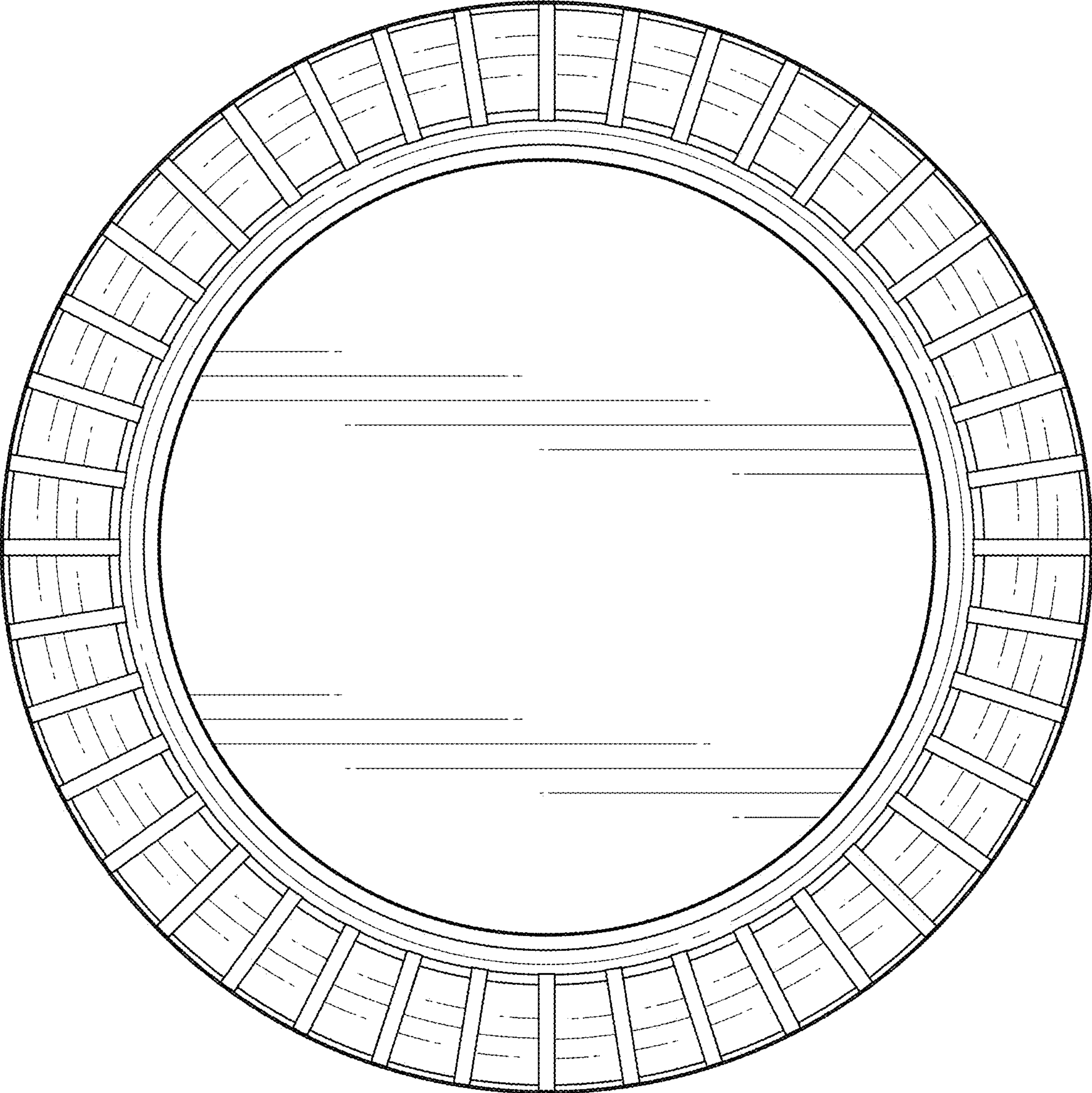


FIG. 3

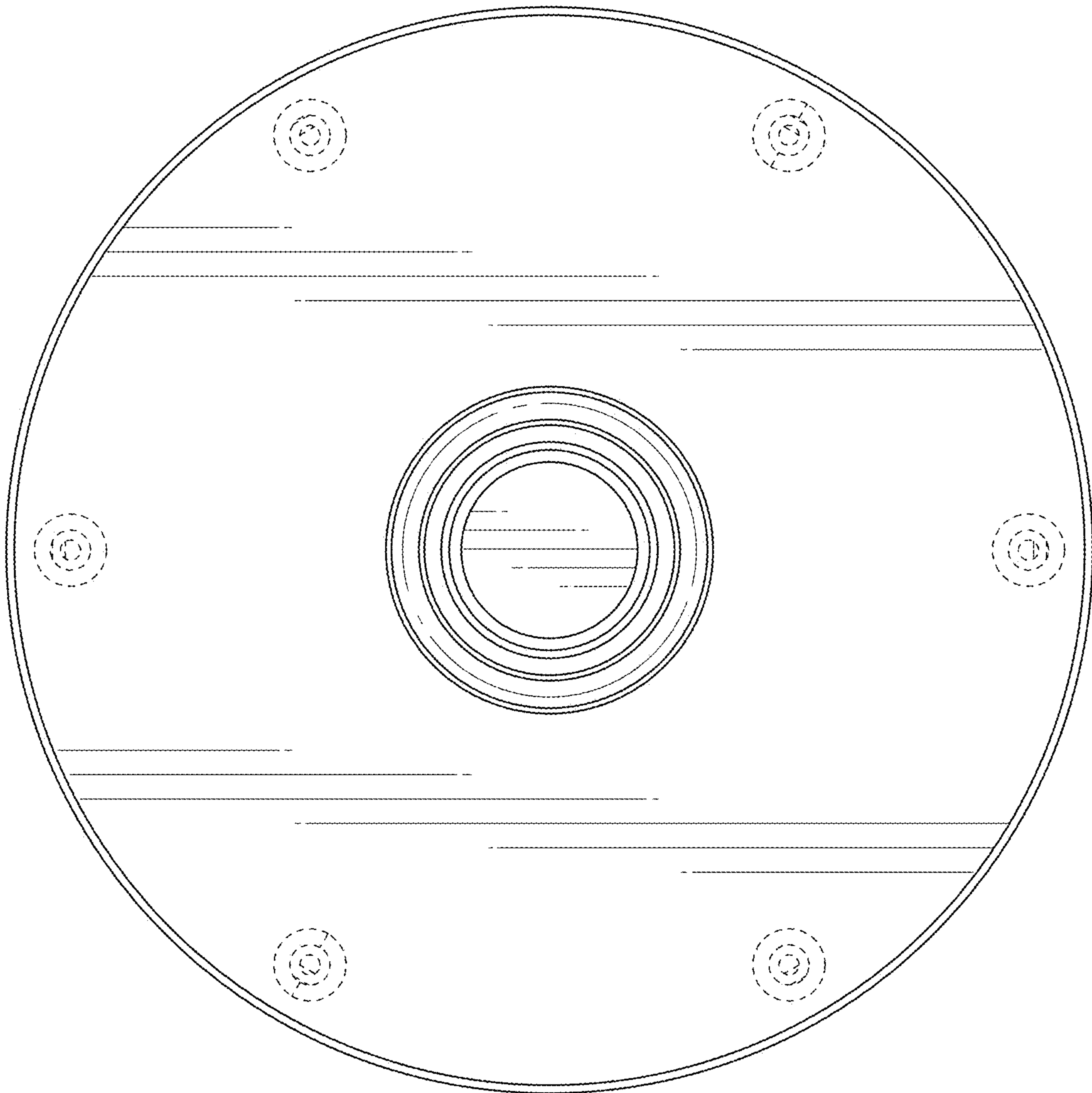


FIG. 4

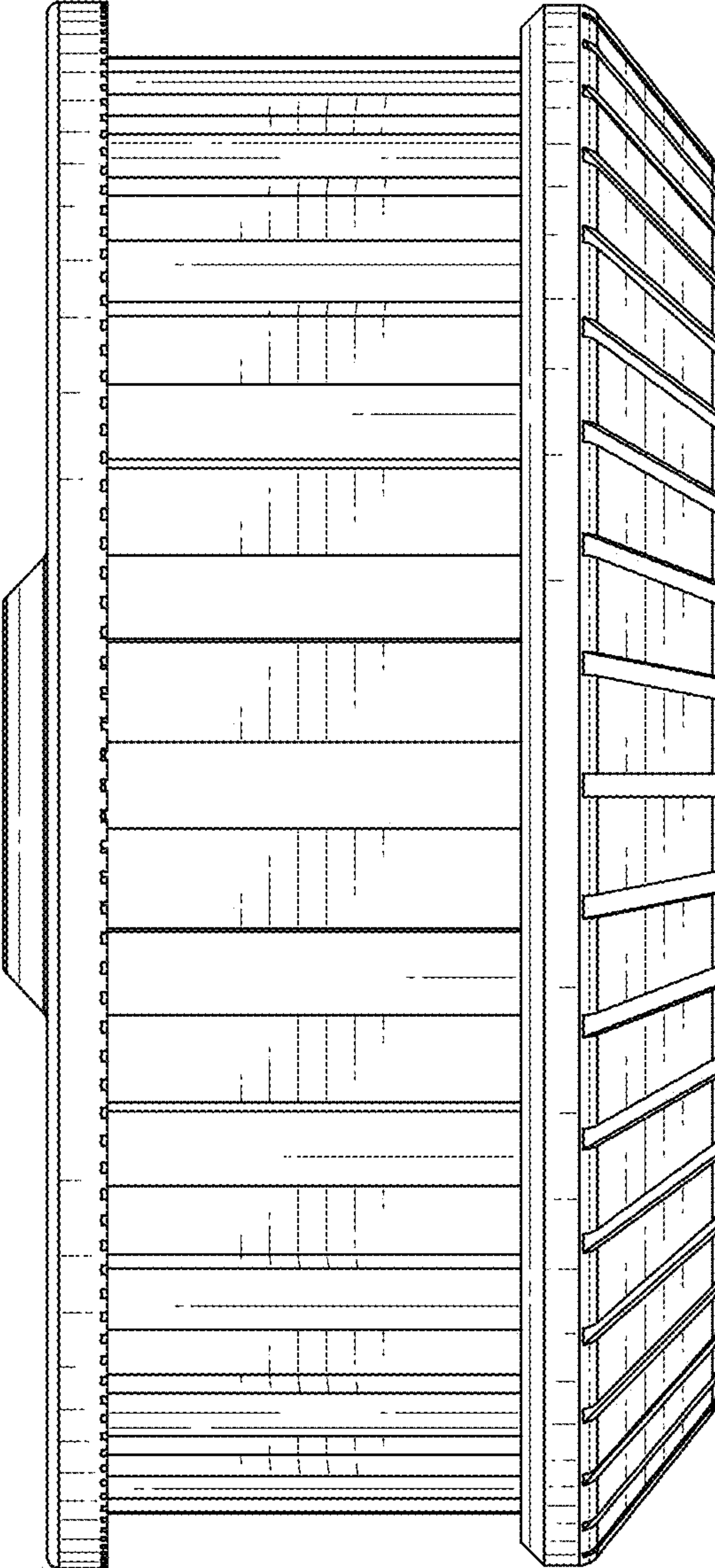


FIG. 5

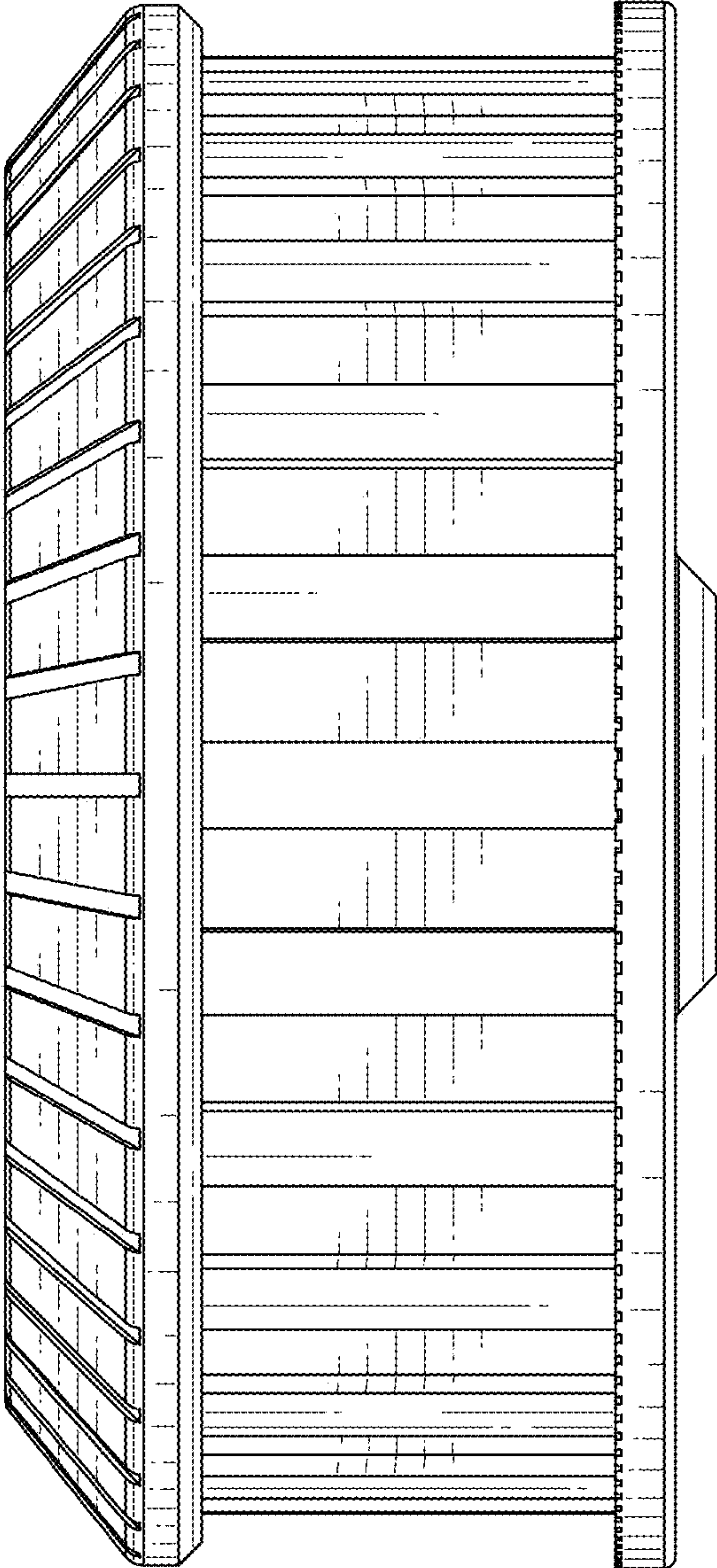


FIG. 6



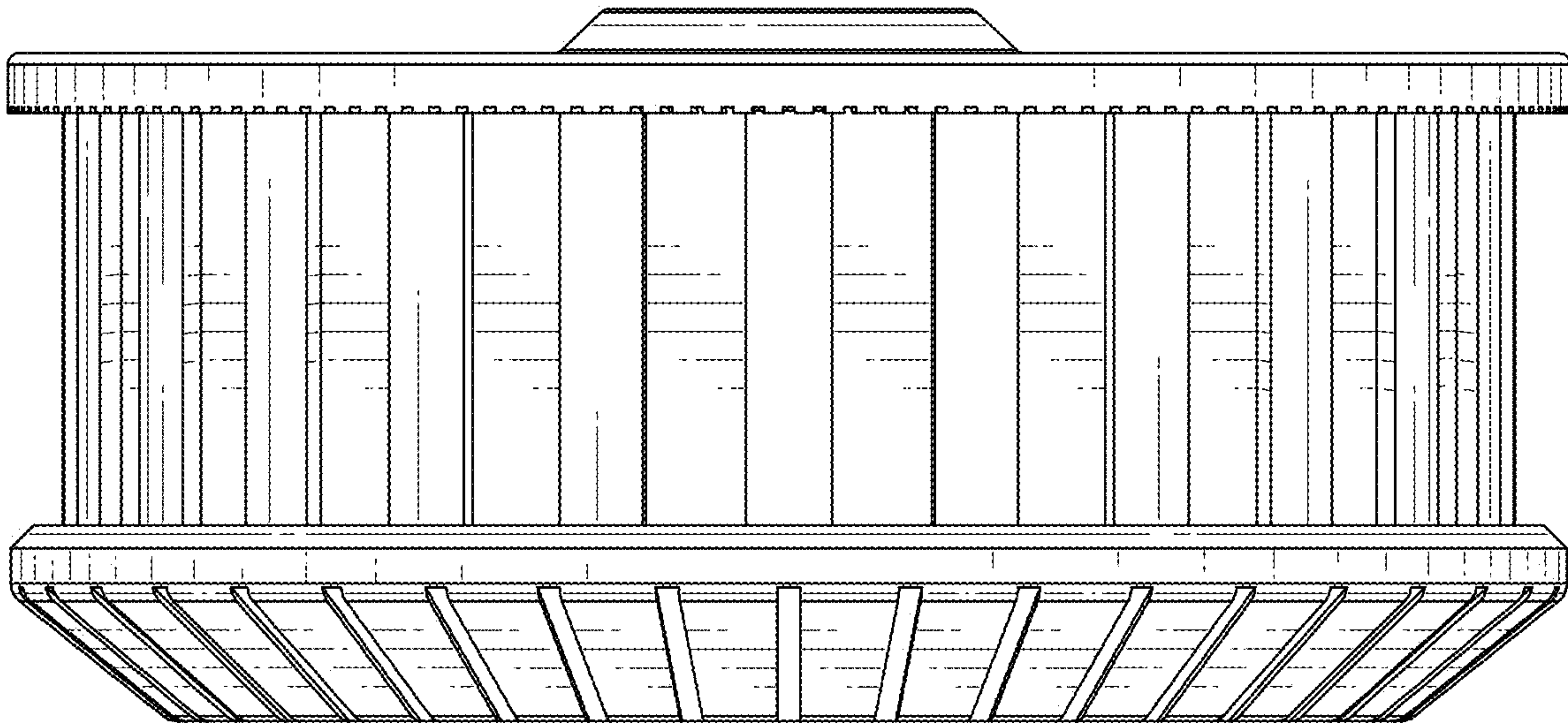


FIG. 7

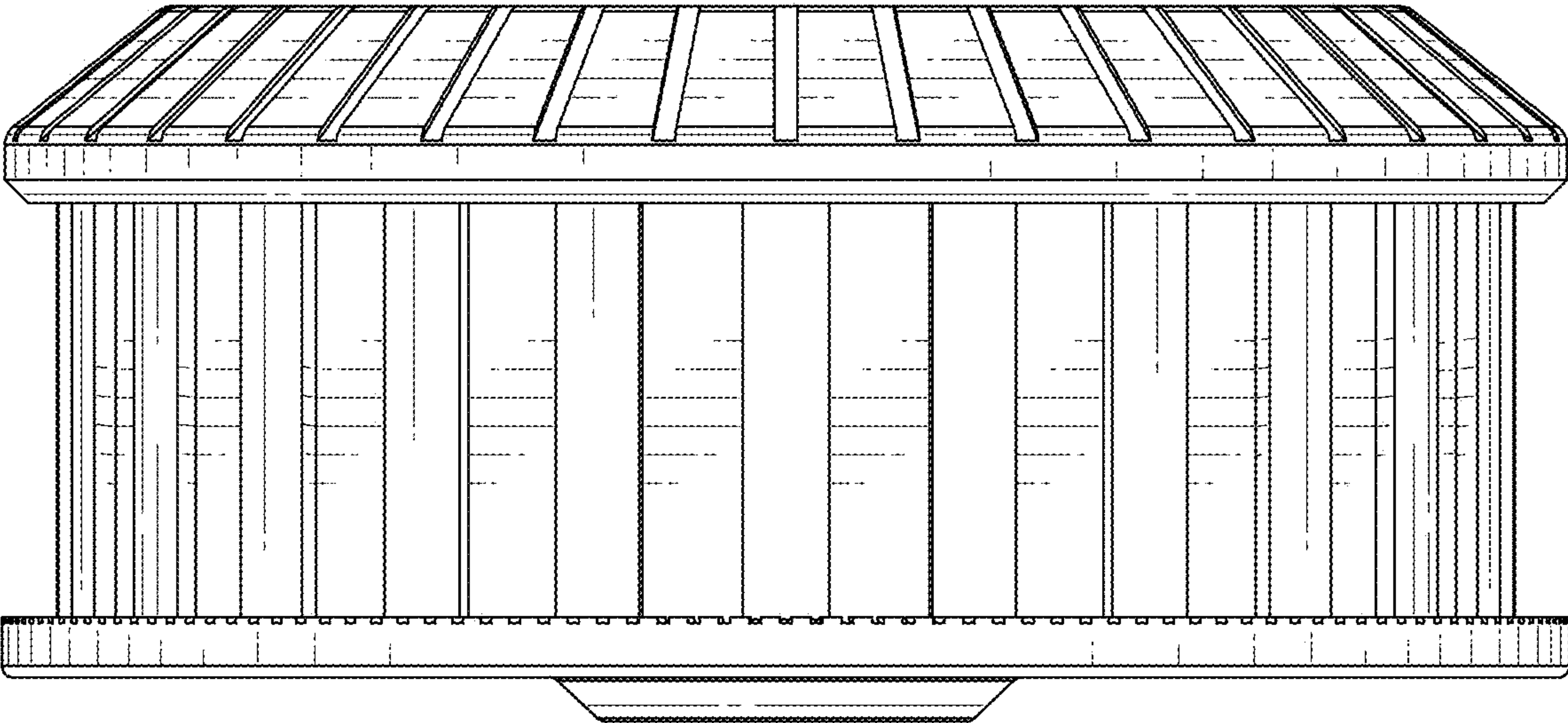


FIG. 8