



US00D973019S

(12) **United States Design Patent** (10) **Patent No.:** **US D973,019 S**
Wang et al. (45) **Date of Patent:** **** Dec. 20, 2022**

(54) **CHARGING DOCK**
(71) Applicant: **BEIJING XIAOMI MOBILE SOFTWARE CO., LTD.**, Beijing (CN)
(72) Inventors: **Tao Wang**, Beijing (CN); **Ningning Li**, Beijing (CN); **Fen Tang**, Beijing (CN); **Zhiyao Wang**, Beijing (CN)
(73) Assignee: **BEIJING XIAOMI MOBILE SOFTWARE CO., LTD.**, Beijing (CN)

D815,594 S * 4/2018 Chen D13/108
D819,643 S * 6/2018 Hu D14/434
D855,566 S * 8/2019 Chen D13/108
D868,691 S * 12/2019 Sun D13/108
D884,621 S * 5/2020 Feng D13/108
D896,174 S * 9/2020 Li D13/108
D907,575 S * 1/2021 Xu D13/108
D926,126 S * 7/2021 DeMaio D13/108
D931,208 S * 9/2021 Liao D14/252
D931,209 S * 9/2021 Hahn D13/108
D935,397 S * 11/2021 Brisebras D13/108
D942,945 S * 2/2022 Park D13/108
2015/0188356 A1* 7/2015 Chen H02J 50/005
320/108

(**) Term: **15 Years**

(Continued)

(21) Appl. No.: **35/511,001**

Primary Examiner — Rhea Shields

(22) Filed: **Sep. 16, 2020**

(74) *Attorney, Agent, or Firm* — Syncoda LLC; Feng Ma

(80) **Hague Agreement Data**

(57) **CLAIM**

Int. Filing Date: **Sep. 16, 2020**
Int. Reg. No.: **DM/211800**
Int. Reg. Date: **Sep. 16, 2020**
Int. Reg. Pub. Date: **Dec. 25, 2020**

The ornamental design for a charging dock, as shown and described.

(30) **Foreign Application Priority Data**

DESCRIPTION

Mar. 18, 2020 (CN) 202030092790.7

(51) **LOC (13) Cl.** **13-02**

(52) **U.S. Cl.**
USPC **D13/107**

(58) **Field of Classification Search**
USPC D13/107, 199, 108, 110; D14/252, 434
CPC H02J 50/10; H02J 7/00309; H02J 50/005;
G06F 1/1632

See application file for complete search history.

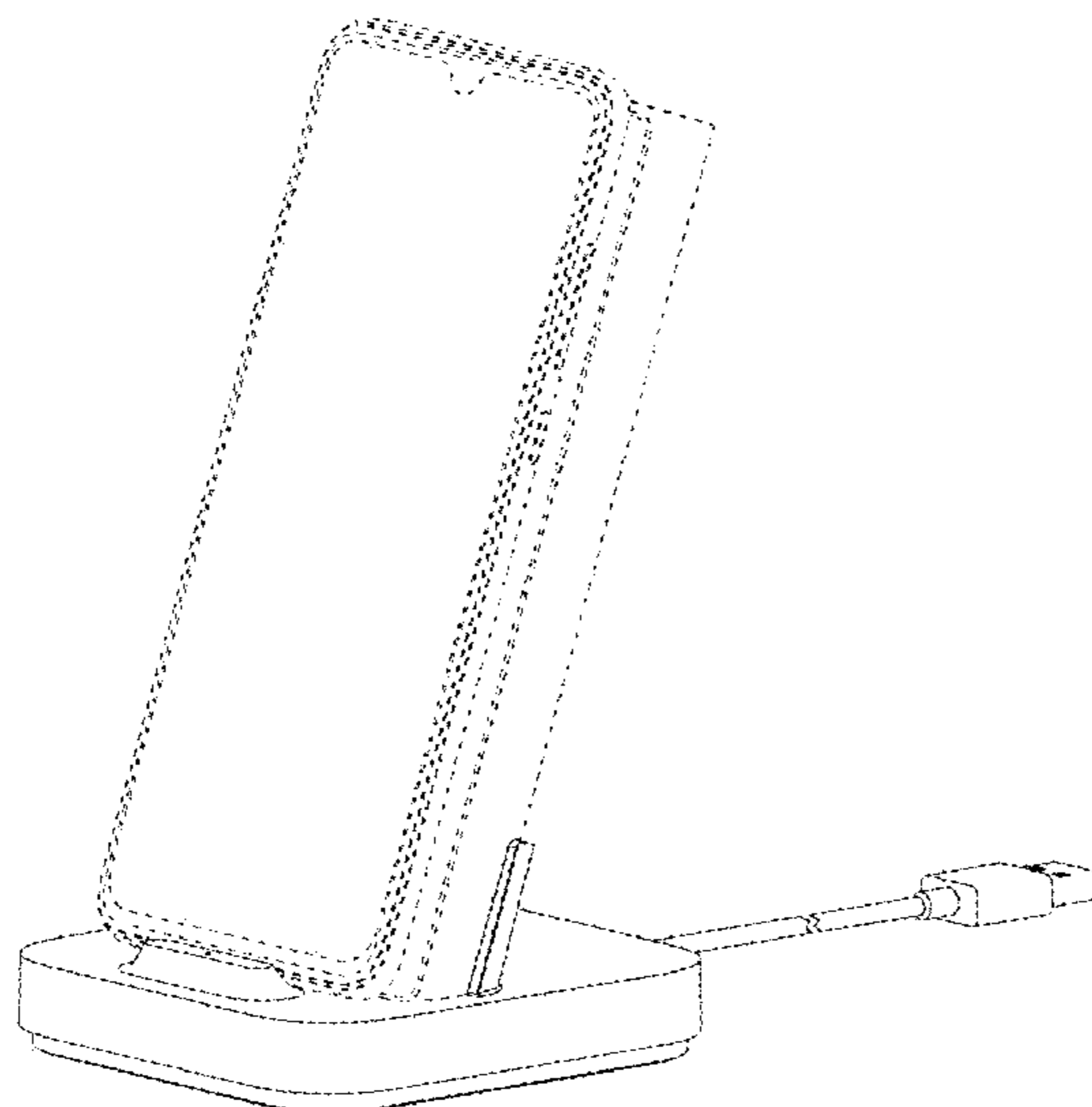
(56) **References Cited**

U.S. PATENT DOCUMENTS

D754,600 S * 4/2016 Lin D13/110
D788,699 S * 6/2017 Hoehn D13/107
D791,072 S * 7/2017 Hoehn D13/107

2. Charging dock
2.1 is a front view of a charging dock showing the new design;
2.2 is a back view thereof;
2.3 is a left side view thereof;
2.4 is a right side view thereof;
2.5 is a top view thereof;
2.6 is a bottom view thereof;
2.7 is a front, right side, top perspective view thereof;
2.8 is a back, right side, top perspective view thereof;
2.9 is a front, right side, top perspective view thereof; and
2.10 is a front, right side, top perspective view thereof.
In Reproductions **2.9** and **2.10** the purpose of the broken lines show environment only and form no part of the claimed design. Additionally, in **2.3** through **2.10** the length of the cord feature is shown with a symbolic break in its length. The appearance of any portion of the article between the break lines form no part of the claimed design.

1 Claim, 6 Drawing Sheets



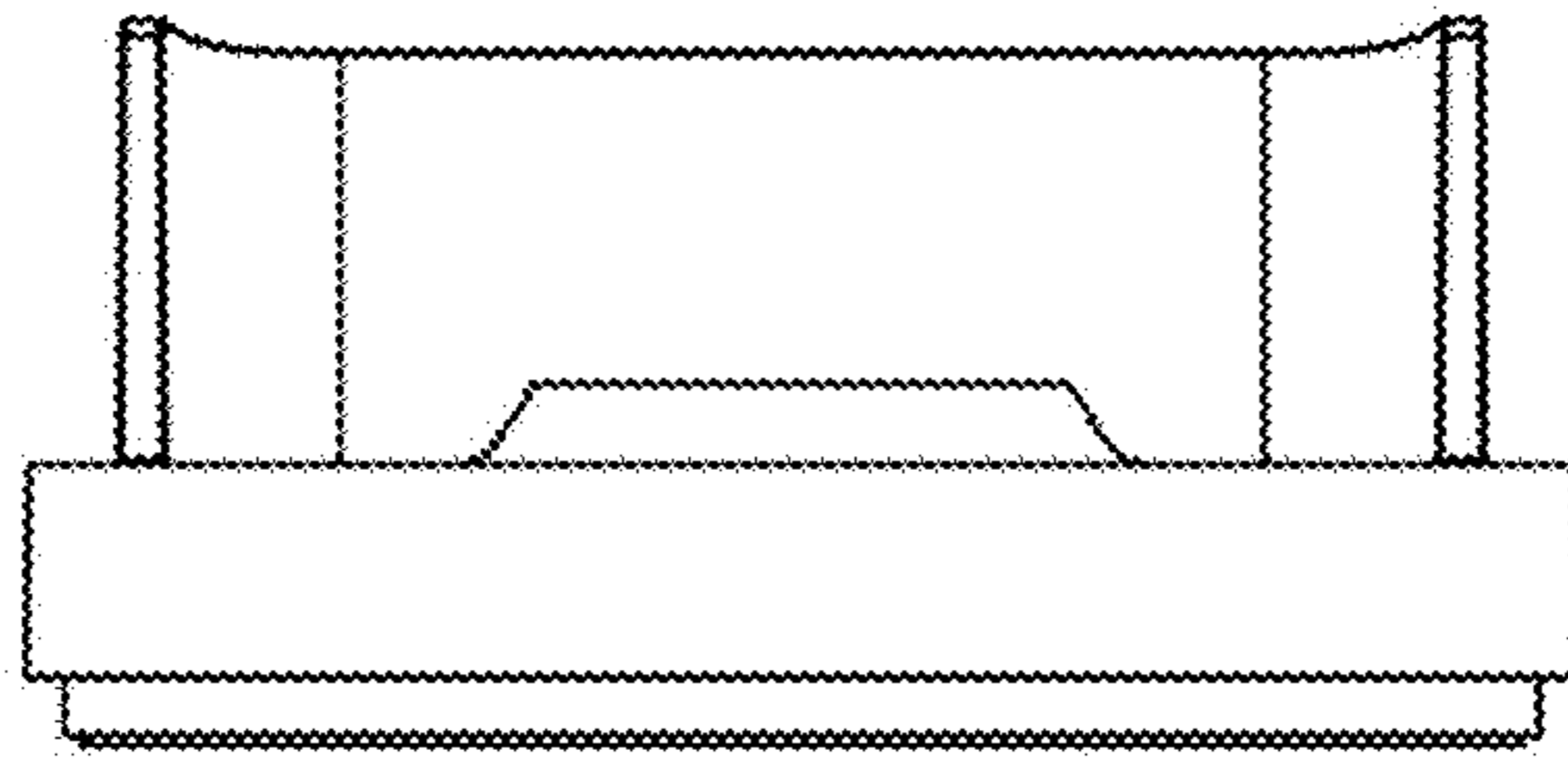
(56)

References Cited

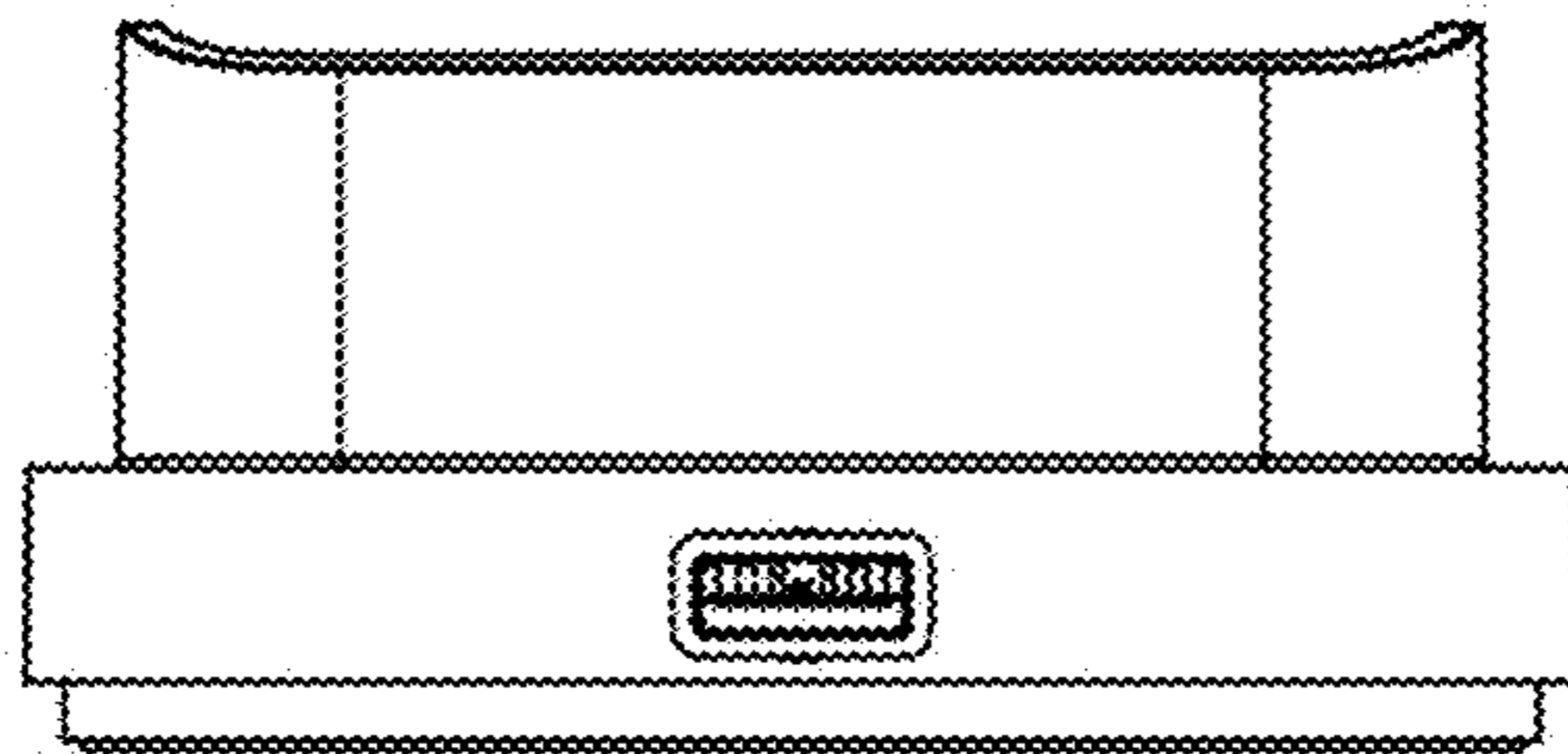
U.S. PATENT DOCUMENTS

2017/0153667 A1* 6/2017 Suckle G06F 1/1632
2019/0115781 A1* 4/2019 Feng H02J 7/00309
2020/0052506 A1* 2/2020 Green H02J 50/10

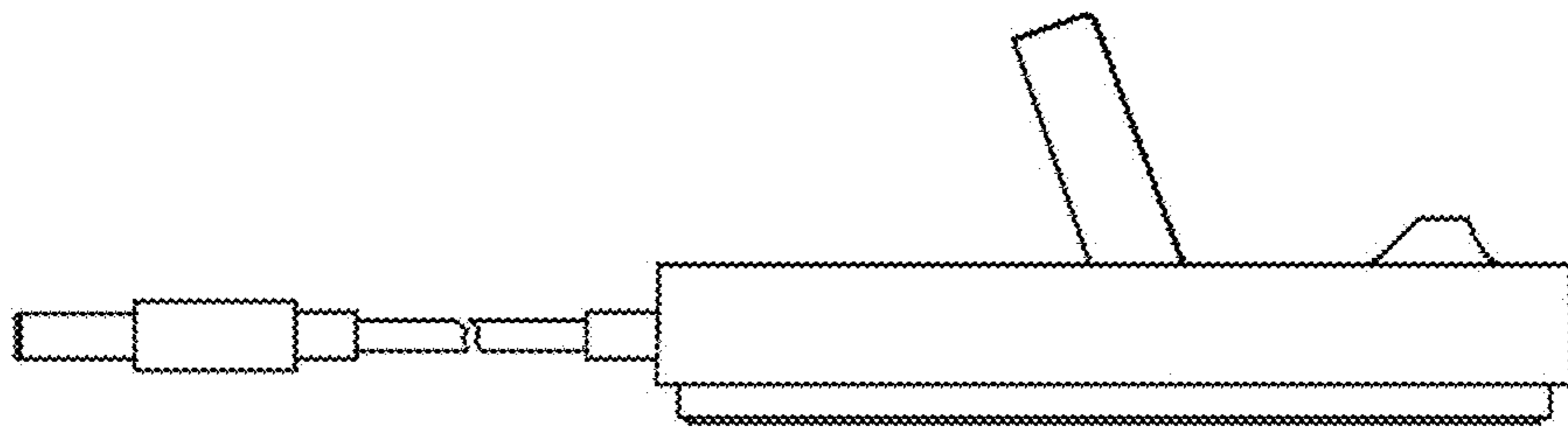
* cited by examiner



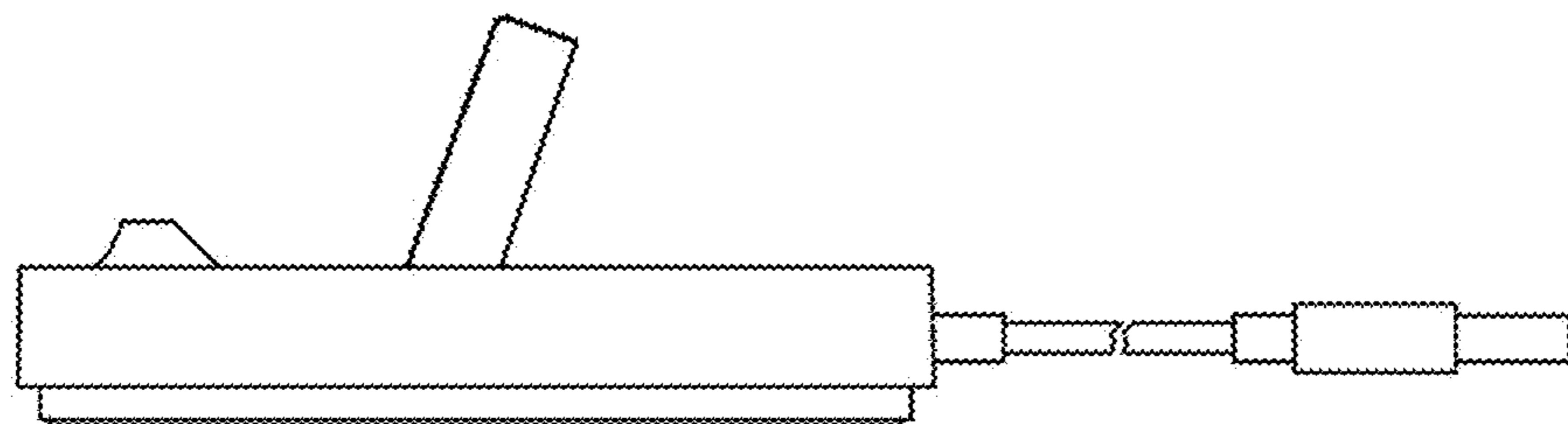
2.1



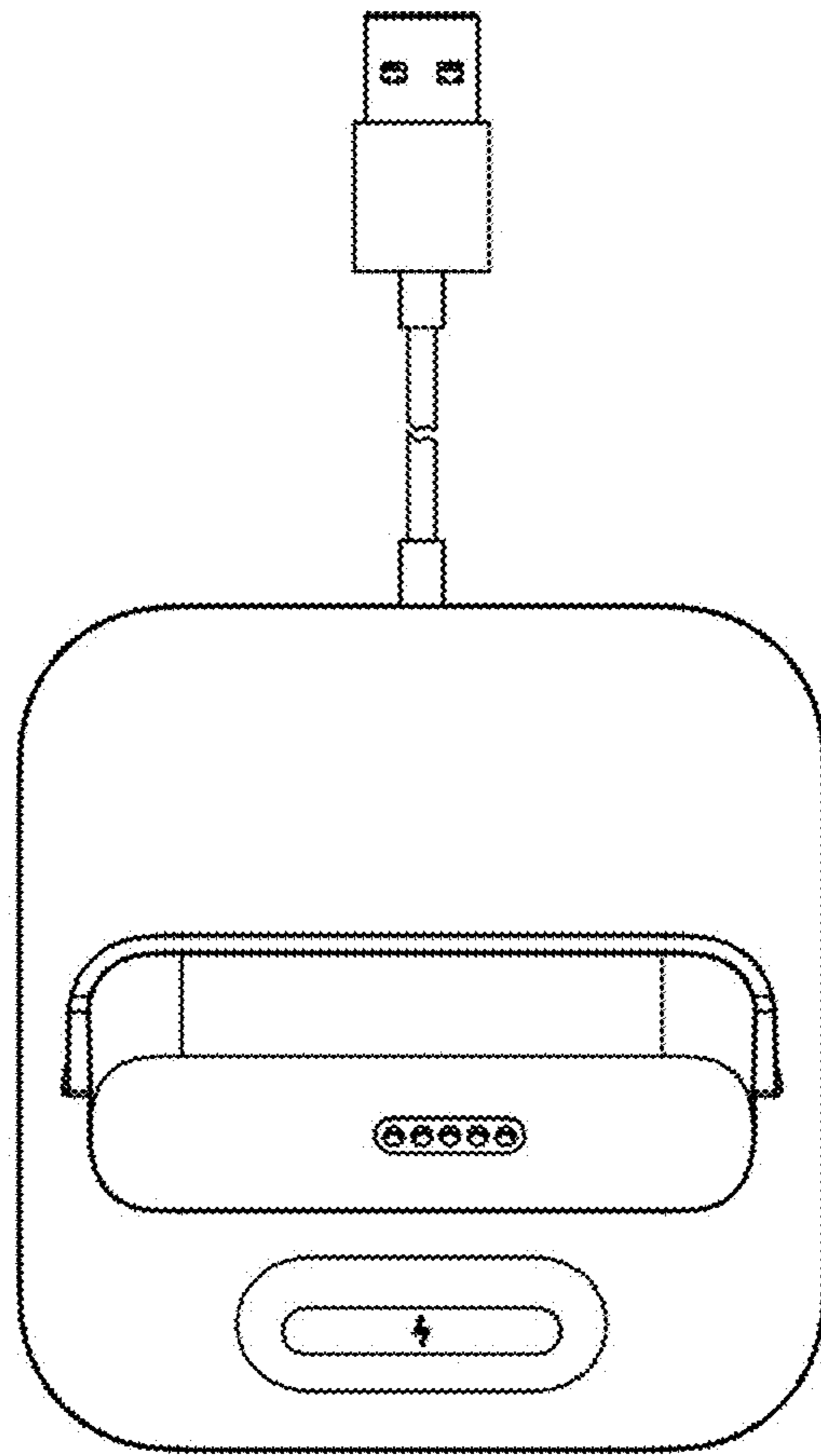
2.2



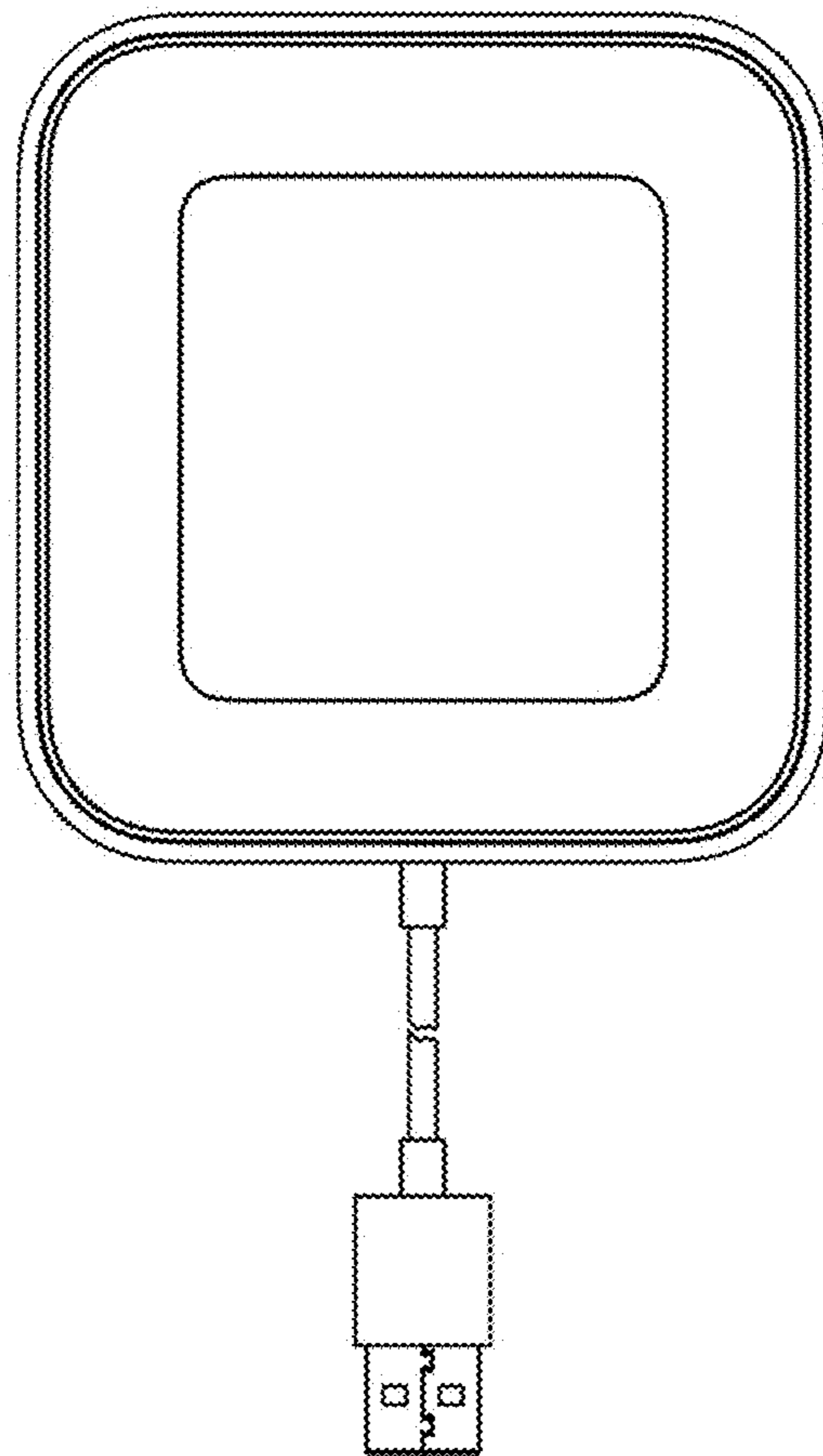
2.3



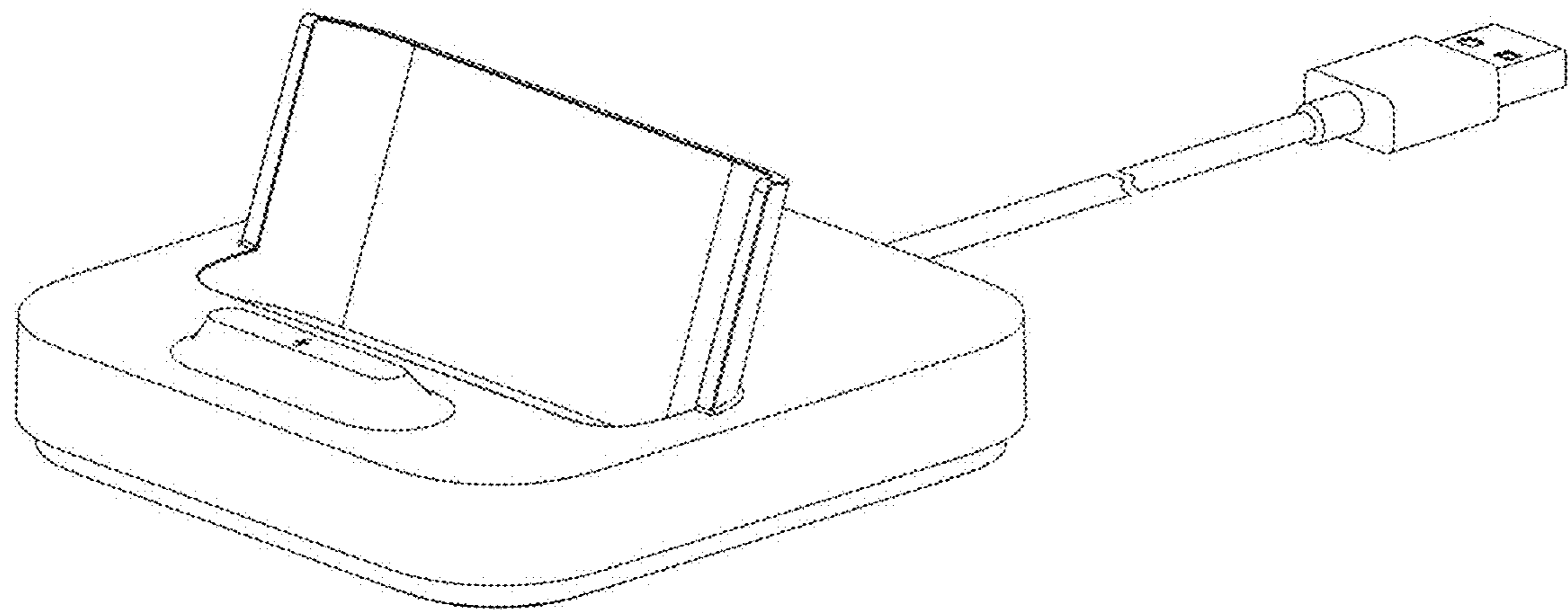
2.4



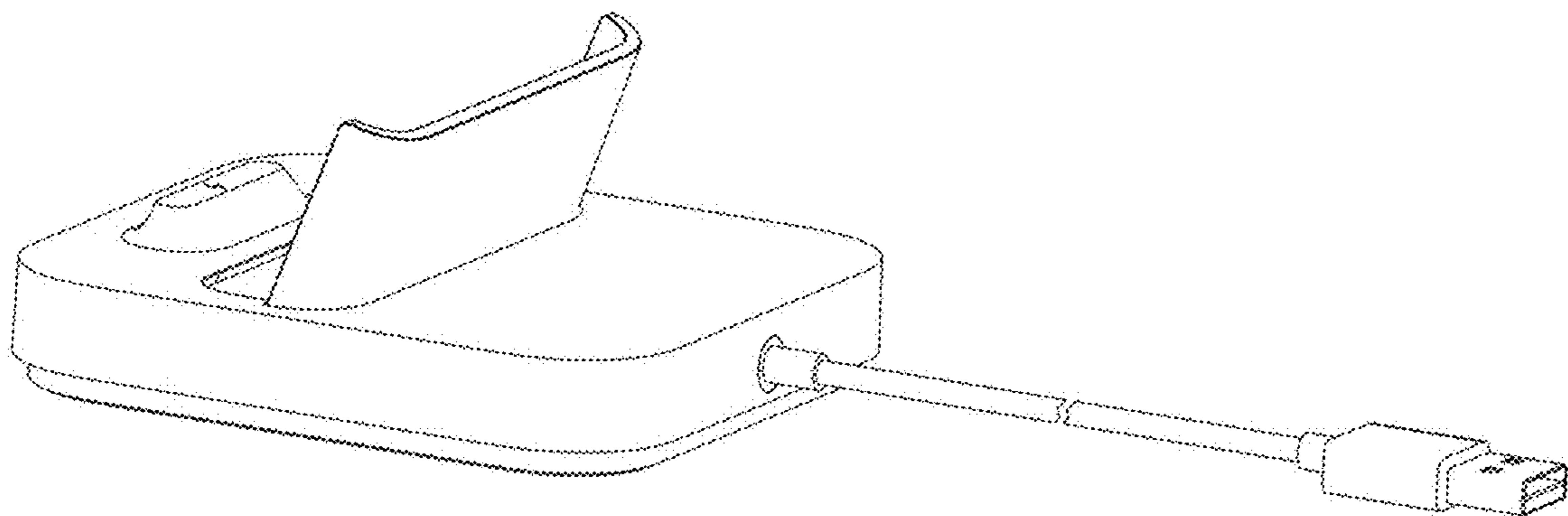
2.5



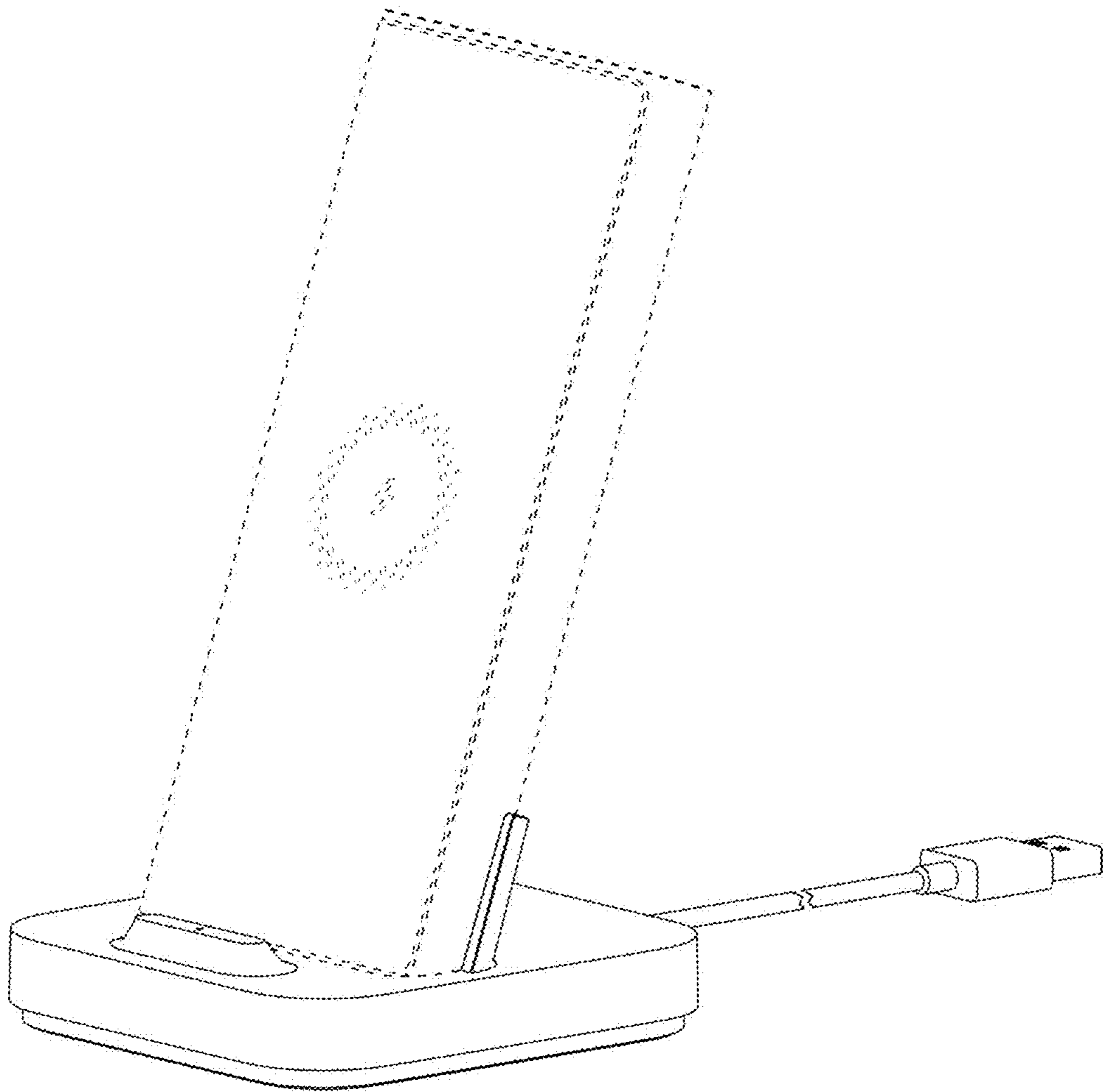
2.6



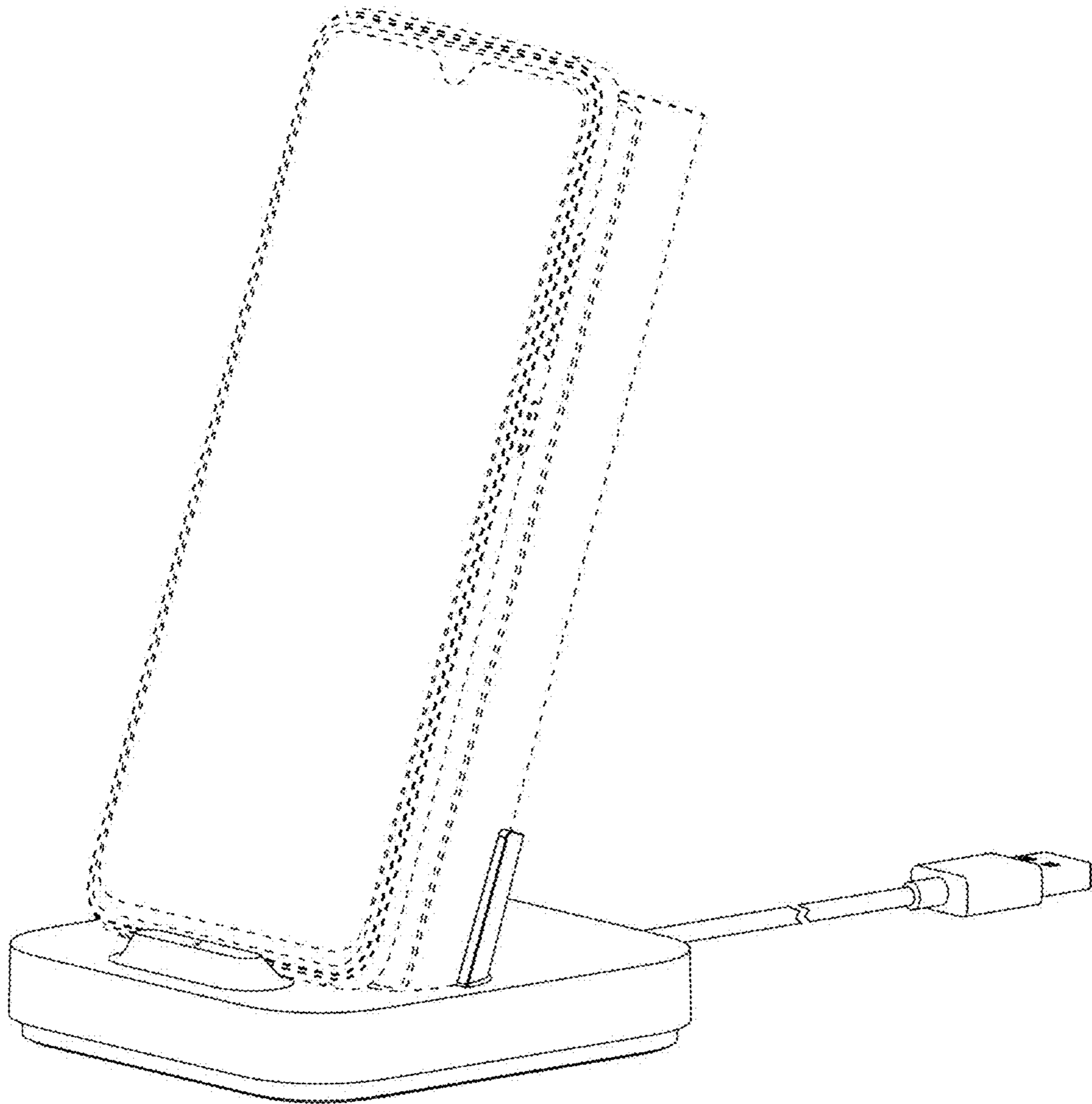
2.7



2.8



2.9



2.10