



US00D973015S

(12) **United States Design Patent** (10) **Patent No.:** **US D973,015 S**
Uppu (45) **Date of Patent:** **** Dec. 20, 2022**

(54) **BONDING CLAMP**

(71) Applicant: **Unirac Inc.**, Albuquerque, NM (US)

(72) Inventor: **Sai Uppu**, Albuquerque, NM (US)

(73) Assignee: **Unirac Inc.**, Albuquerque, NM (US)

(**) Term: **15 Years**

(21) Appl. No.: **29/685,944**

(22) Filed: **Apr. 1, 2019**

(51) **LOC (13) Cl.** **13-02**

(52) **U.S. Cl.**
USPC **D13/102**; D13/149

(58) **Field of Classification Search**
USPC D6/708, 713; D8/72, 73, 349, 354, 355,
D8/380, 394, 396; D12/223; D13/102,
D13/123, 149, 179; D14/253, 447;
D16/131, 136; D25/55, 121, 136;
D26/142
CPC F24S 20/67; F24S 20/636; F24S 25/33;
F16M 13/02; H02S 20/00; H02S 20/10;
H02S 20/20; H02S 20/23; H02S 20/30
See application file for complete search history.

(56) **References Cited**

U.S. PATENT DOCUMENTS

D224,406	S	*	7/1972	Heck	D13/149
4,966,631	A		10/1990	Matlin et al.		
D342,011	S	*	12/1993	Maguire	D8/349
D401,211	S	*	11/1998	Simpson	D8/349
D627,717	S	*	11/2010	Munoz	D13/102
7,866,099	B2		1/2011	Komamine et al.		
D699,176	S	*	2/2014	Salomon	D13/102
8,938,932	B1		1/2015	Wentworth et al.		
9,431,953	B2	*	8/2016	Stearns	H02S 20/23

(Continued)

OTHER PUBLICATIONS

EcoDirect, Date: Oct. 15, 2010, [online], [site visited Mar. 29, 2022]. Available from internet, URL: <https://www.ecodirect.com/>

S-5-PV-Kit-UL-for-mounting-PV-Modules-p/s-5-pv-kit-ul.htm (Year: 2010).*

(Continued)

Primary Examiner — Shawn T Gingrich
Assistant Examiner — Bryan N. Melvin
(74) *Attorney, Agent, or Firm* — Lee & Hayes, P.C.

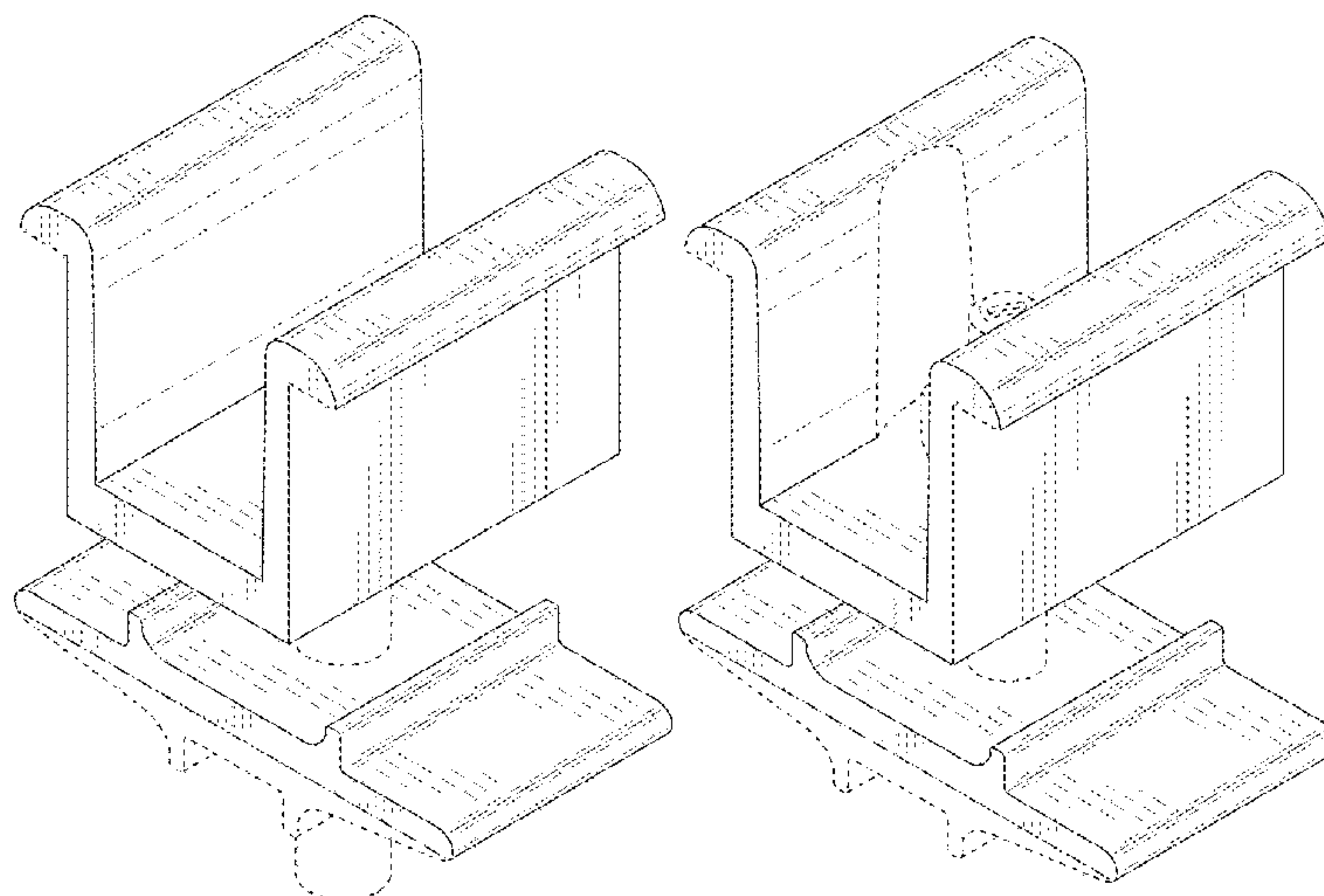
(57) **CLAIM**

The ornamental design for a bonding clamp, as shown and described.

DESCRIPTION

FIG. 1 is a top perspective view of a first embodiment of a bonding clamp;
FIG. 2 is a front view thereof;
FIG. 3 is a back view thereof;
FIG. 4 is a left-side view thereof;
FIG. 5 is a right-side view thereof;
FIG. 6 is a top view thereof;
FIG. 7 is a bottom view thereof; the unseen portion on the bottom surface of the top portion of the bonding clamp is planar and unornamented;
FIG. 8 is a top perspective view of a second embodiment of a bonding clamp;
FIG. 9 is a front view thereof;
FIG. 10 is a back view thereof;
FIG. 11 is a left-side view thereof;
FIG. 12 is a right-side view thereof;
FIG. 13 is a top view thereof; and,
FIG. 14 is a bottom view thereof; the unseen portion on the bottom surface of the top portion of the bonding clamp is planar and unornamented.
The dashed broken lines depict portions of the bonding clamp that form no part of the claimed design. The dot-dashed broken lines represent boundaries of the claimed bonding clamp and form no part of the claimed design.

1 Claim, 14 Drawing Sheets



(56)

References Cited

U.S. PATENT DOCUMENTS

9,825,581 B2 11/2017 Wildes
 9,837,955 B1 * 12/2017 Schuit F24S 20/67
 10,340,838 B2 7/2019 Schuit et al.
 10,461,682 B2 10/2019 Schuit et al.
 10,594,250 B2 3/2020 Schuit et al.
 10,742,160 B2 * 8/2020 Kobayashi H02S 30/00
 10,797,634 B1 10/2020 Jasmin et al.
 D901,404 S * 11/2020 Ice D13/179
 10,845,093 B2 11/2020 Stephan et al.
 D904,861 S * 12/2020 McWilliams D8/354
 11,251,743 B2 * 2/2022 Schuit H02S 20/30
 2006/0086382 A1 4/2006 Plaisted
 2010/0276558 A1 11/2010 Faust et al.
 2011/0138585 A1 * 6/2011 Kmita F24S 25/636
 24/522
 2012/0073220 A1 3/2012 Kobayashi et al.
 2015/0129517 A1 5/2015 Wildes
 2015/0168021 A1 6/2015 Wentworth et al.
 2015/0280638 A1 10/2015 Stephan et al.
 2015/0288320 A1 10/2015 Stearns et al.
 2016/0111996 A1 4/2016 Stephan et al.

2016/0126884 A1 5/2016 Stearns et al.
 2016/0268958 A1 9/2016 Wildes et al.
 2017/0237386 A1 8/2017 Stephan et al.
 2017/0366131 A1 12/2017 Stearns et al.
 2019/0341878 A1 11/2019 Watson et al.
 2020/0059195 A1 2/2020 Wang et al.
 2020/0116191 A1 4/2020 Uppu et al.
 2020/0313603 A1 * 10/2020 Uppu F24S 25/636

OTHER PUBLICATIONS

Quick Mount, Date: Feb. 2015, [online], [site visited Mar. 29, 2022]. Available from internet, URL: <https://www.ecodirect.com/Quick-Mount-PV-Quick-Rack-2-35mm-Panel-Clamps-p/quickmount-qmqr-cp35-2-b-24.htm> (Year: 2015).*

Office Action for U.S. Appl. No. 16/837,749, dated Nov. 10, 2021, Uppu, "Bonding Clamp as Photovoltaic Module Mounting Equipment", 12 Pages.

Office Action for U.S. Appl. No. 16/837,749, dated May 10, 2022, Uppu, "Bonding Clamp as Photovoltaic Module Mounting Equipment", 15 Pages.

* cited by examiner

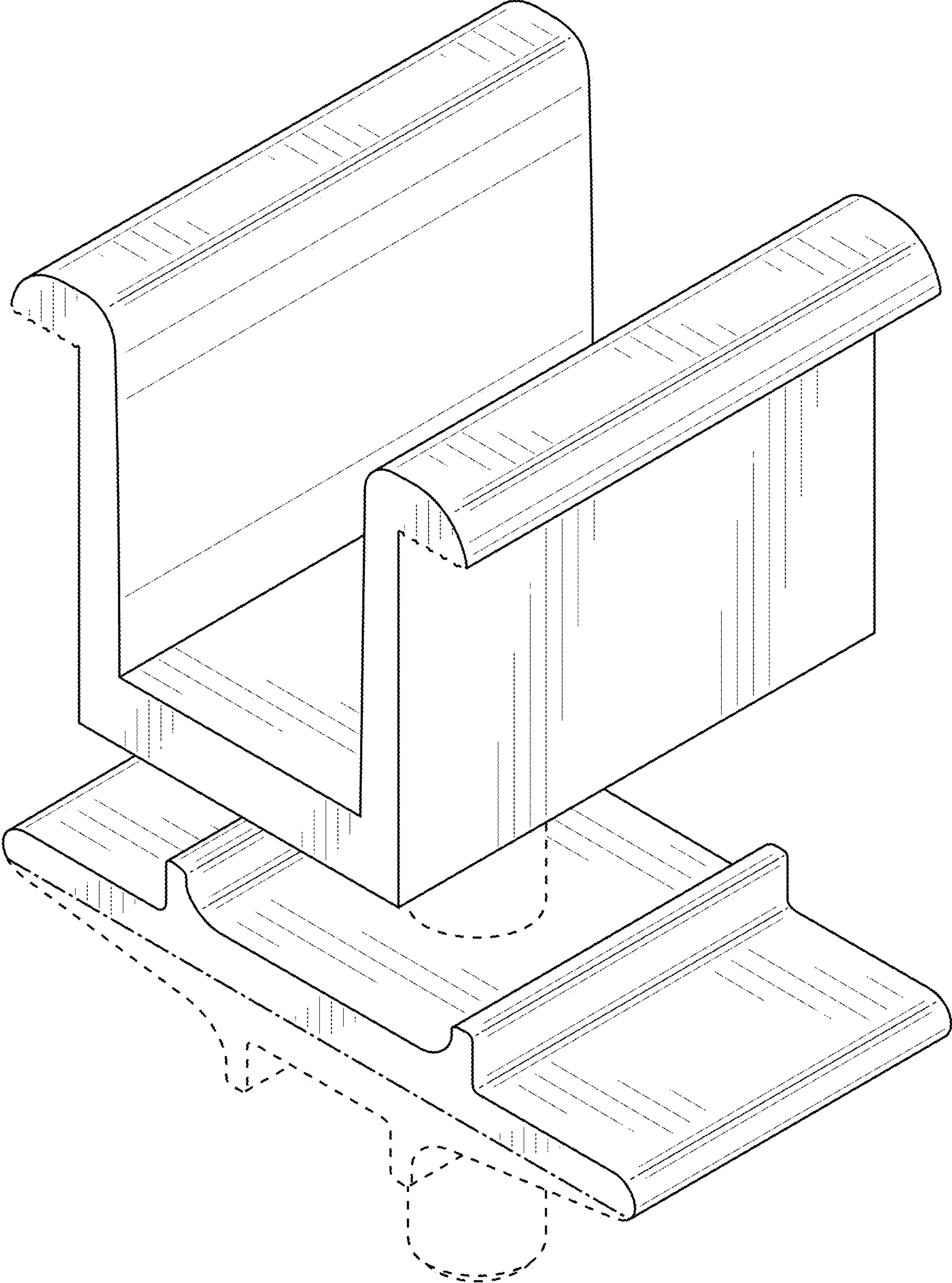


FIG. 1

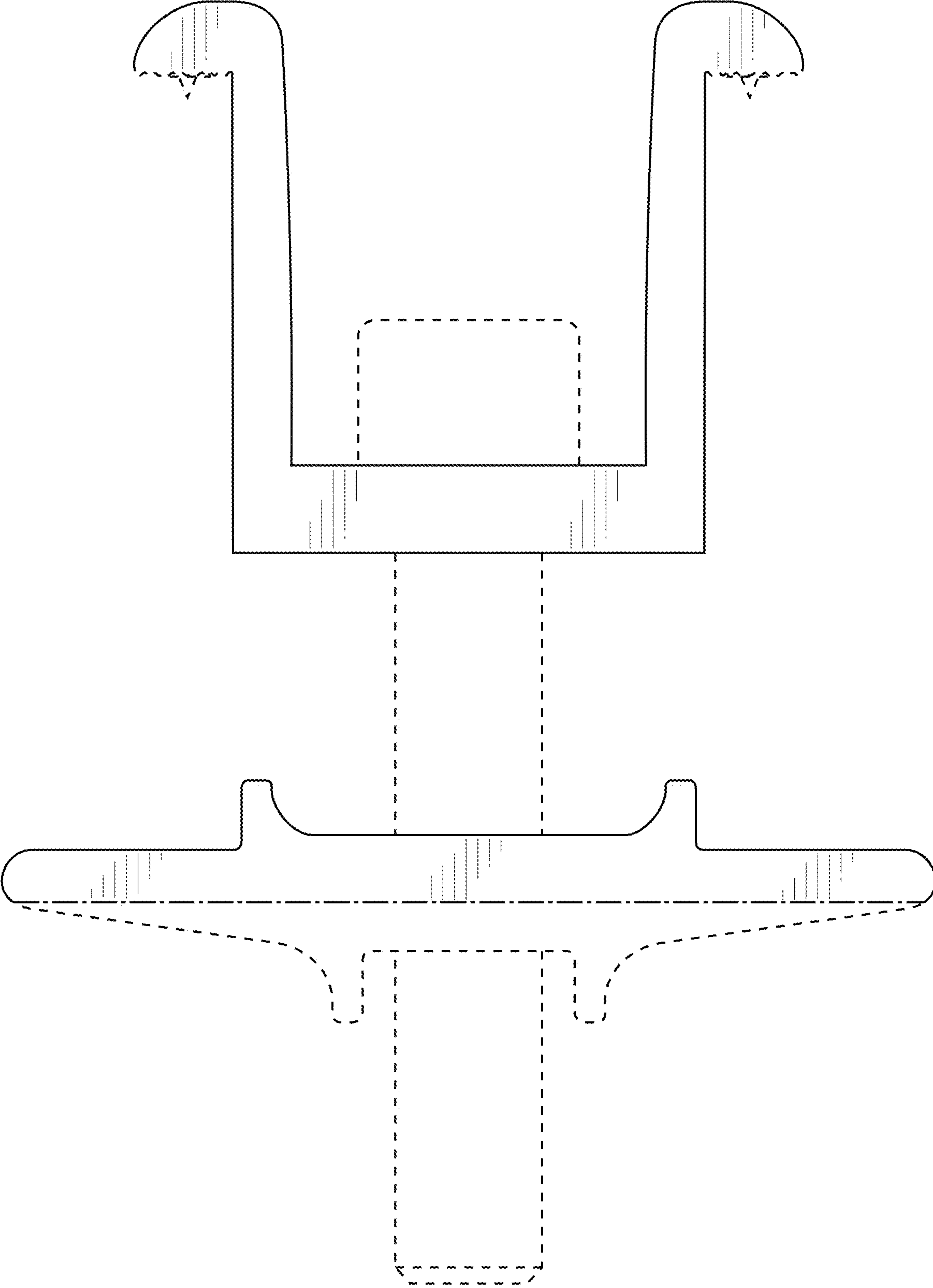


FIG. 2

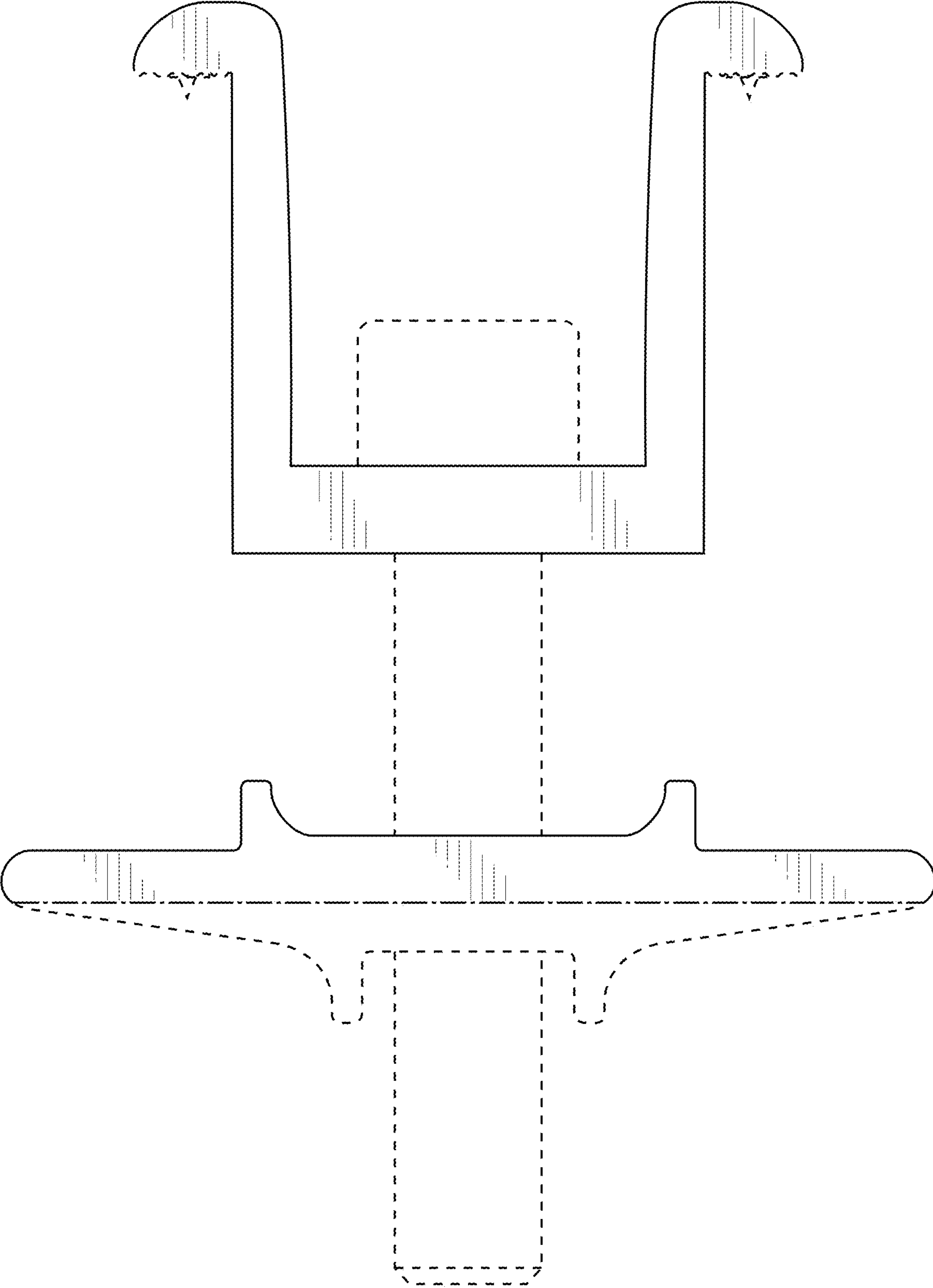


FIG. 3

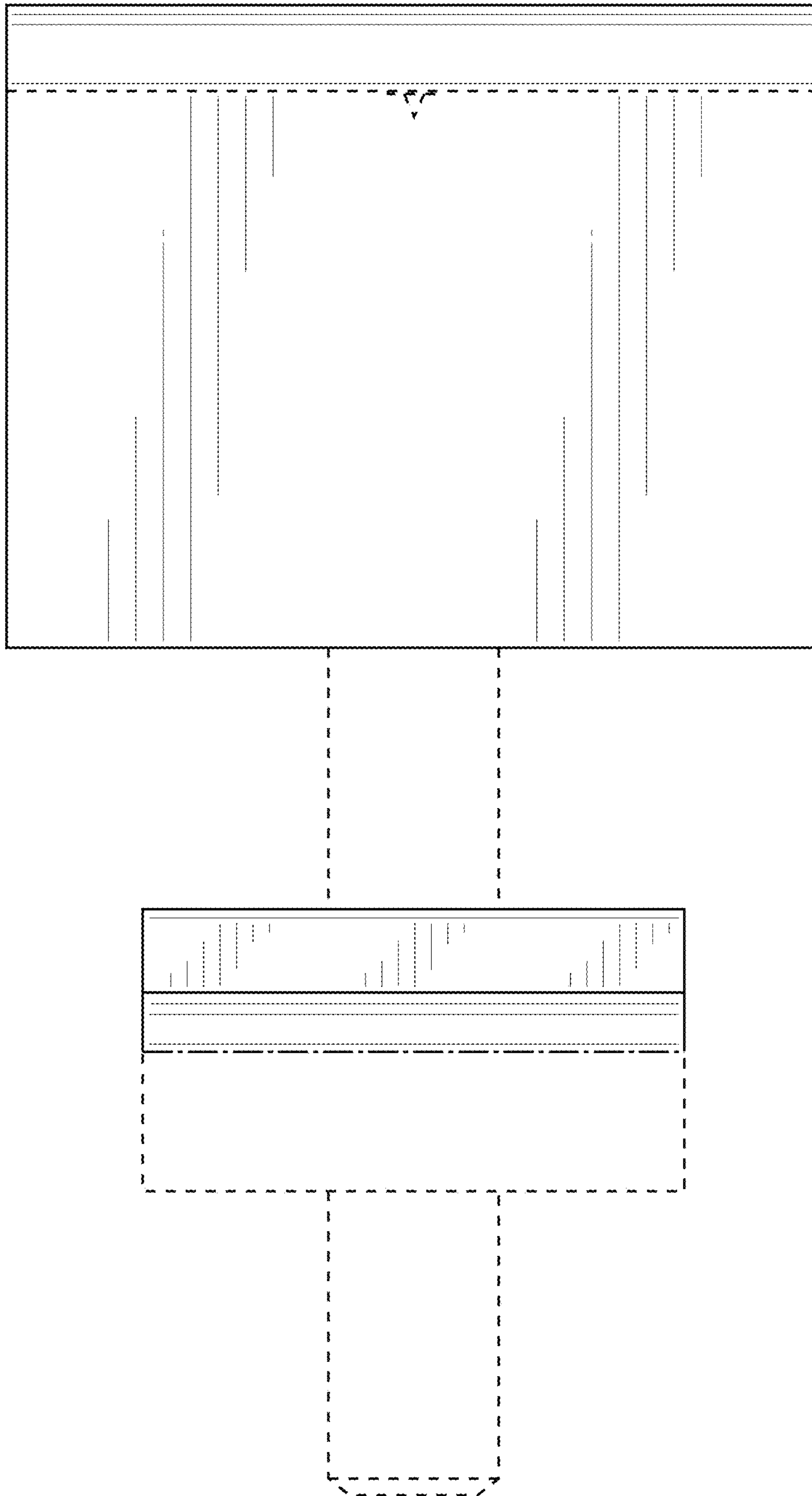


FIG. 4

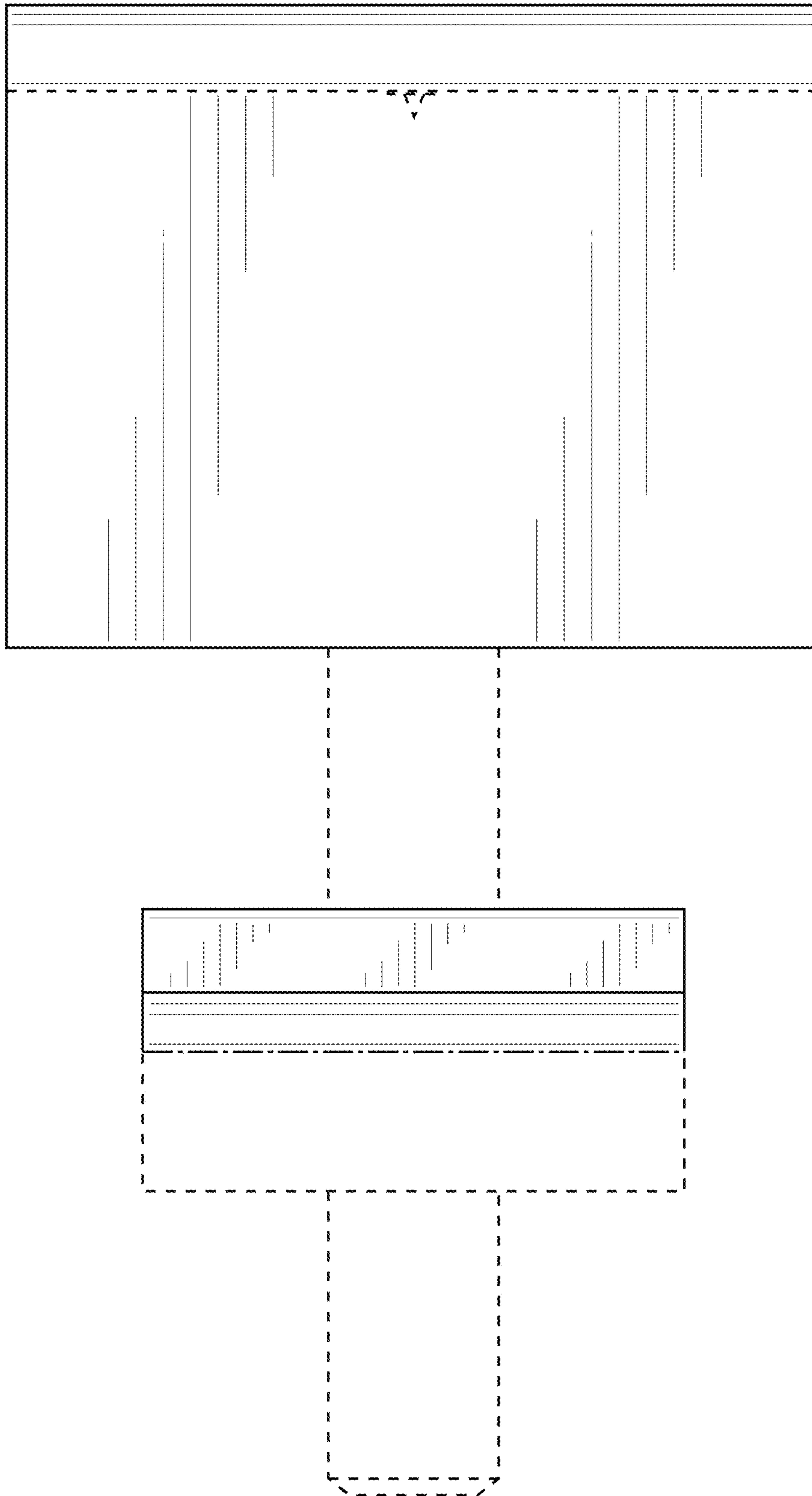


FIG. 5

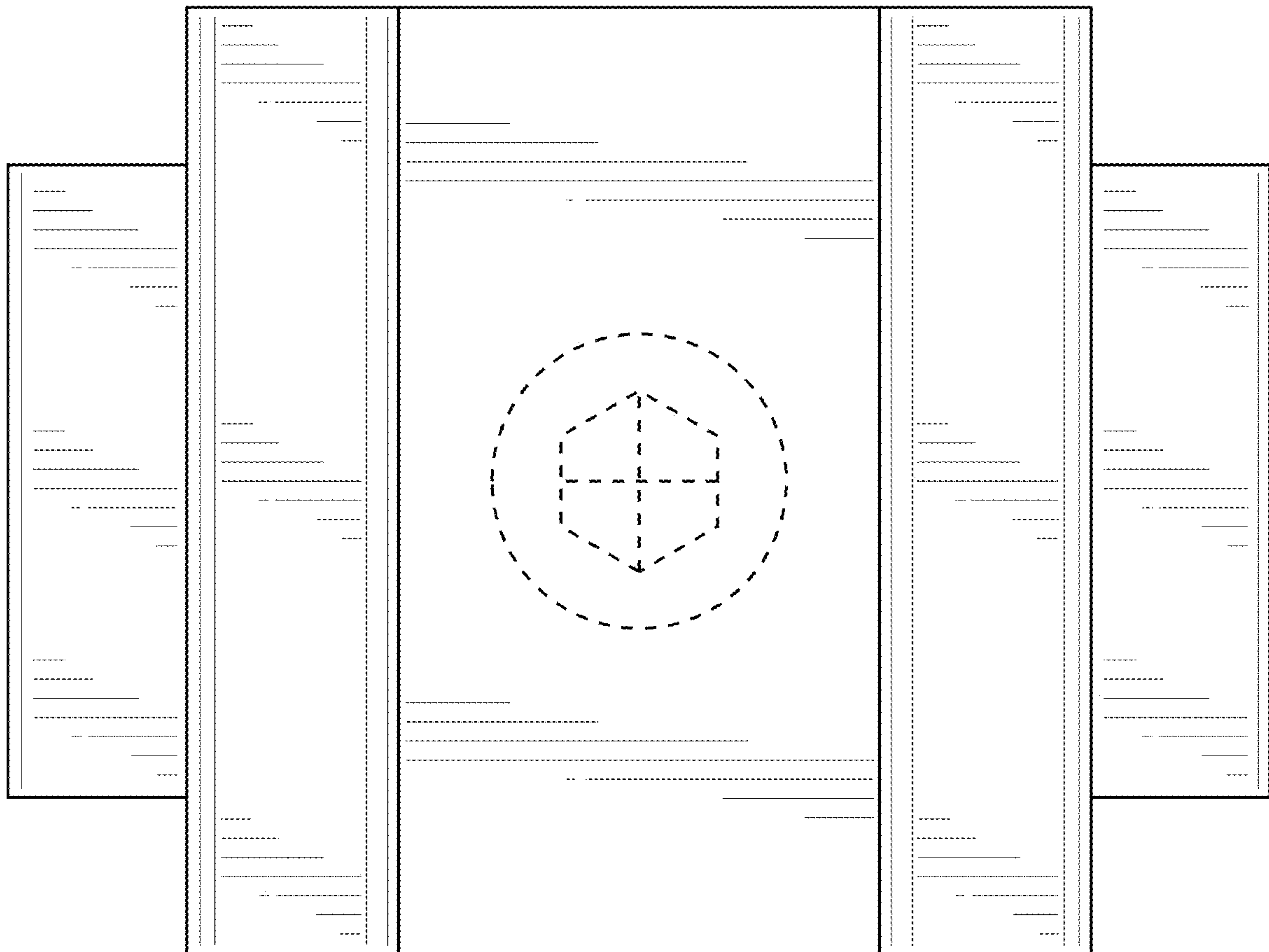


FIG. 6

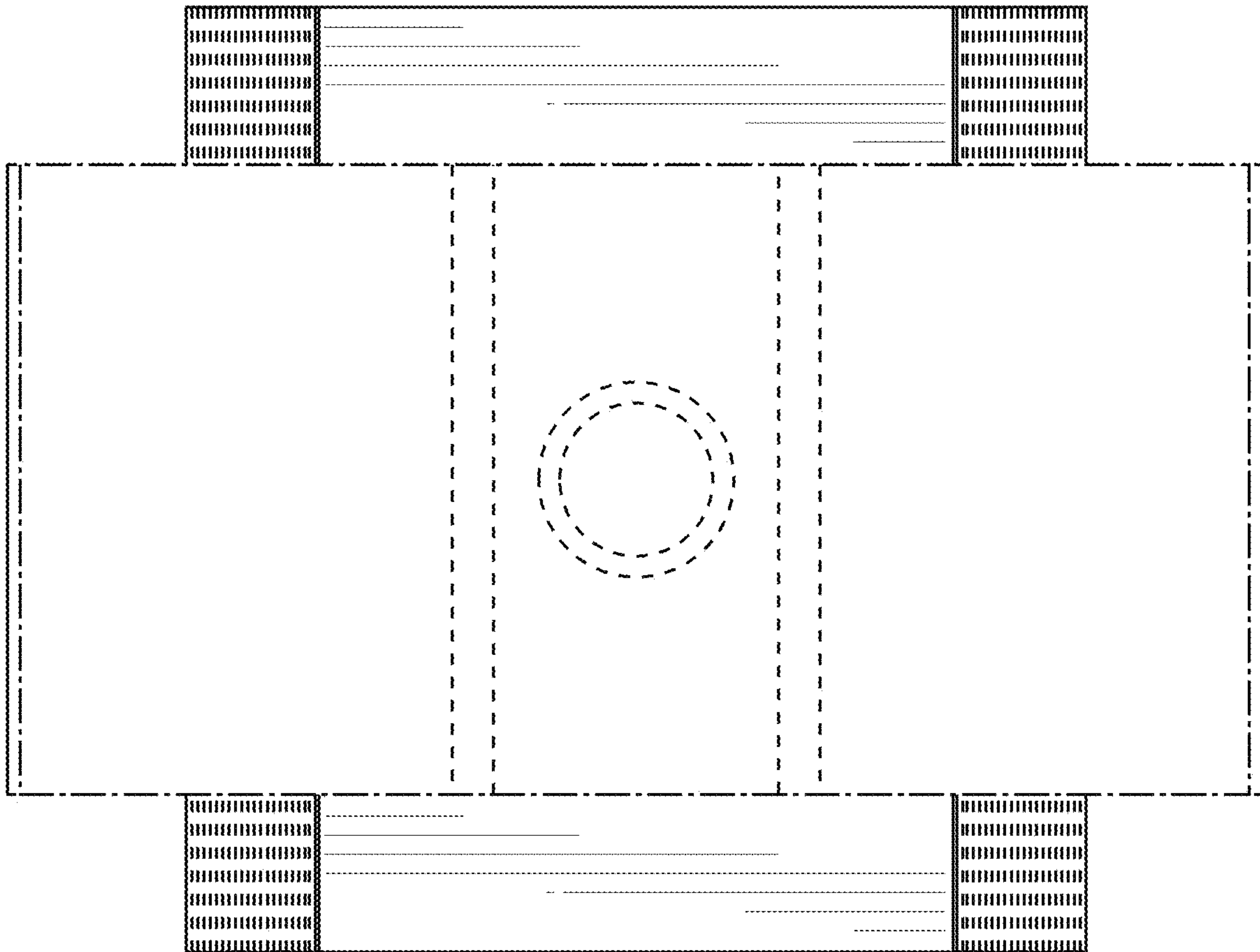


FIG. 7

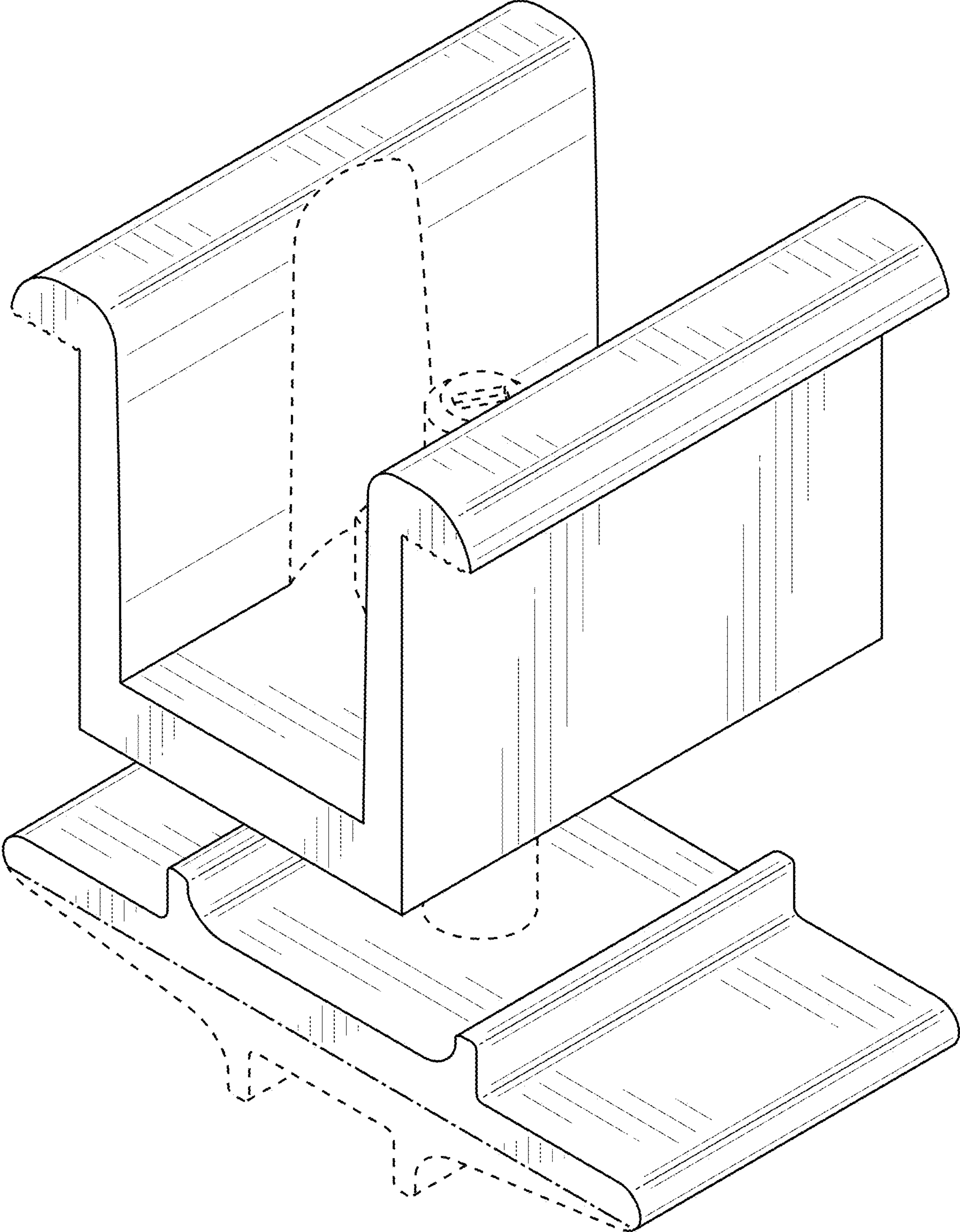


FIG. 8

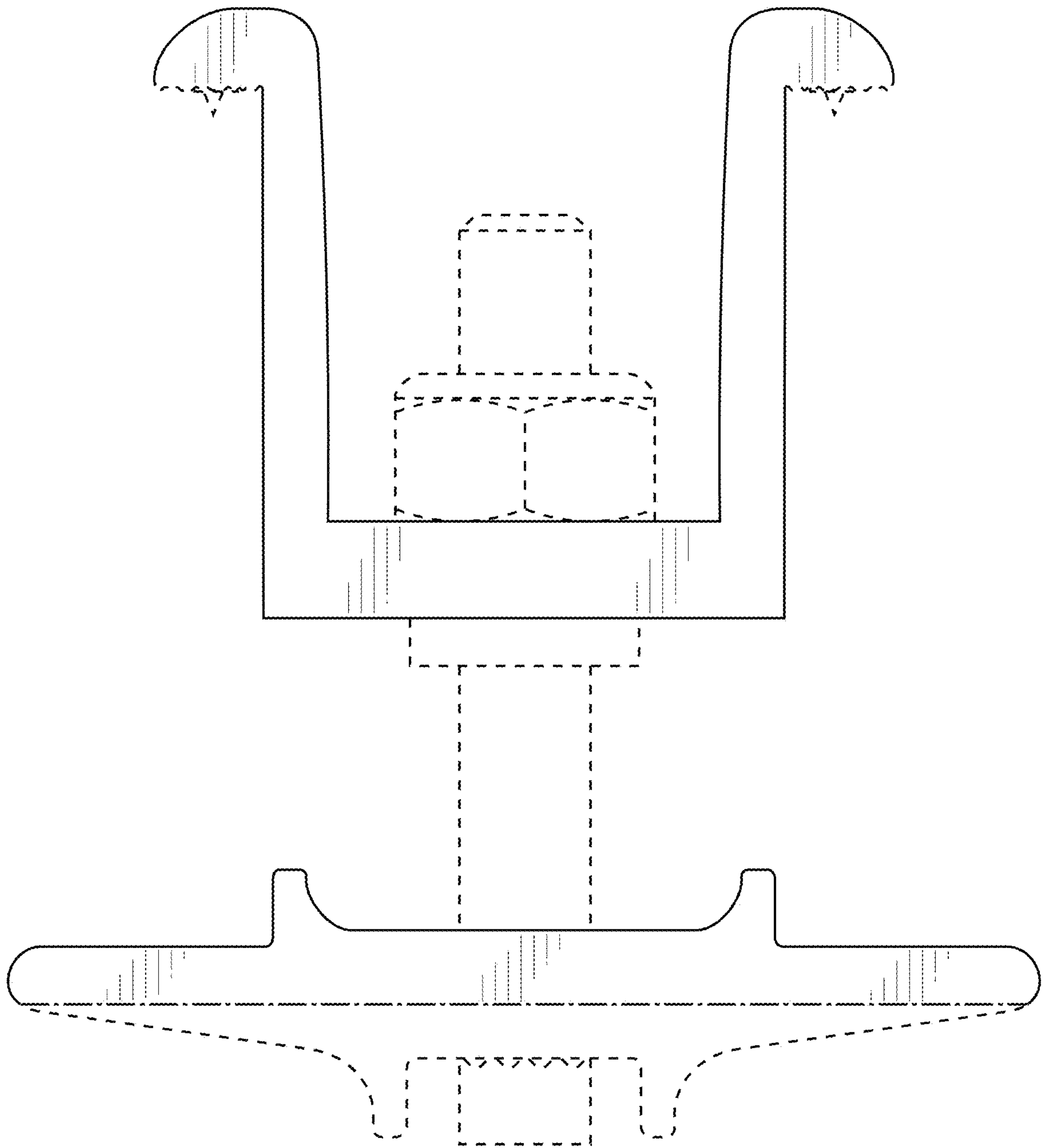


FIG. 9

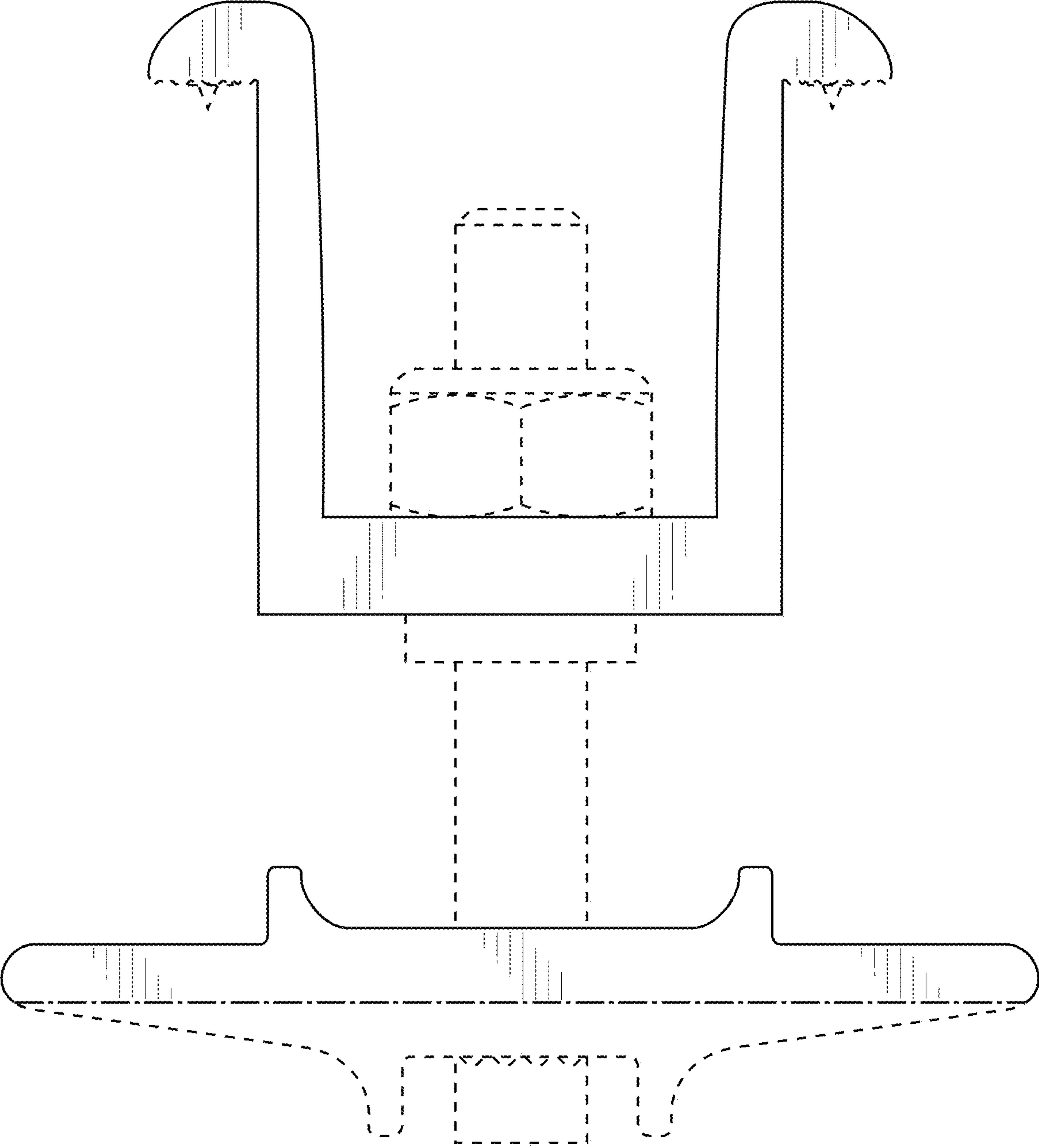


FIG. 10

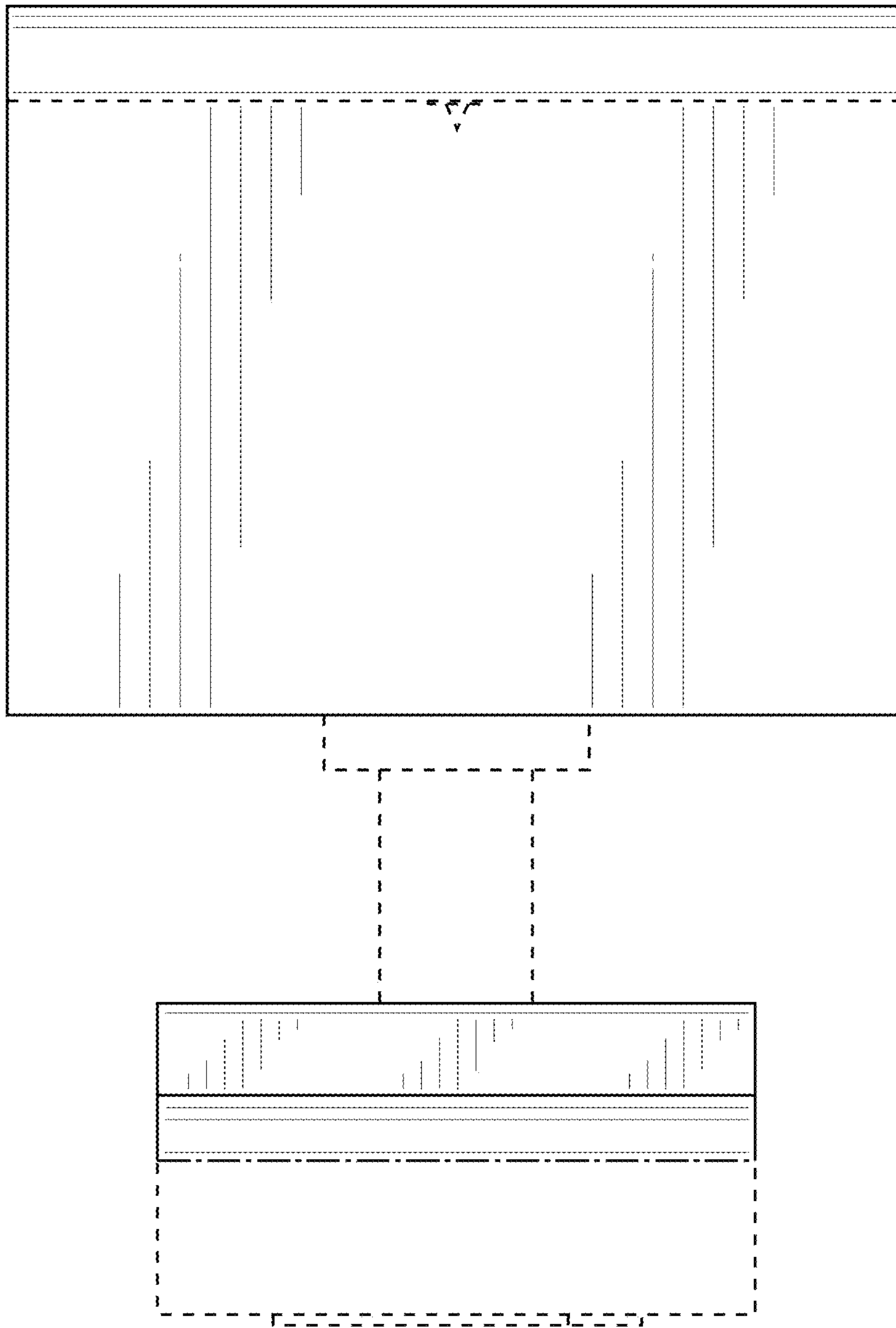


FIG. 11

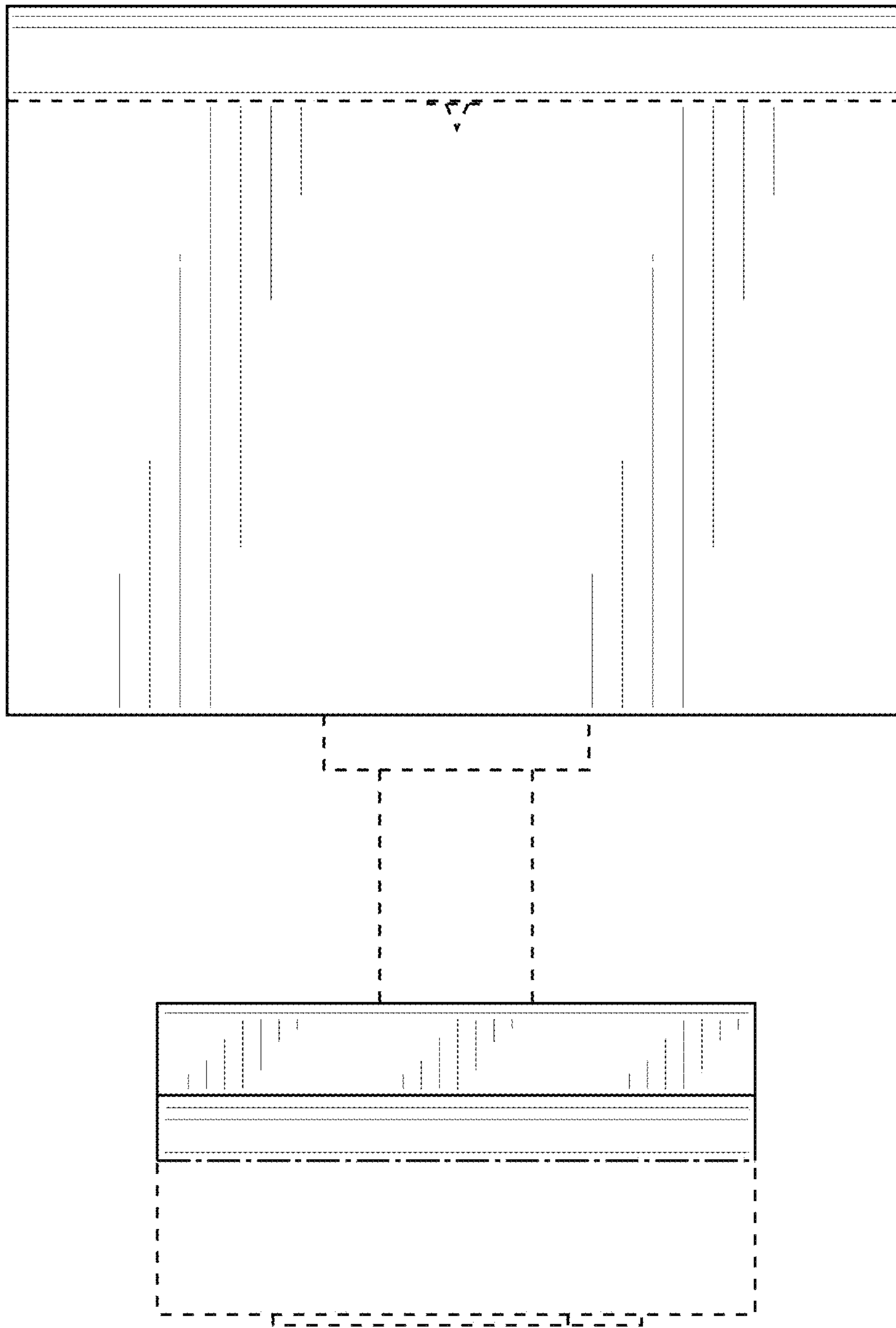


FIG. 12

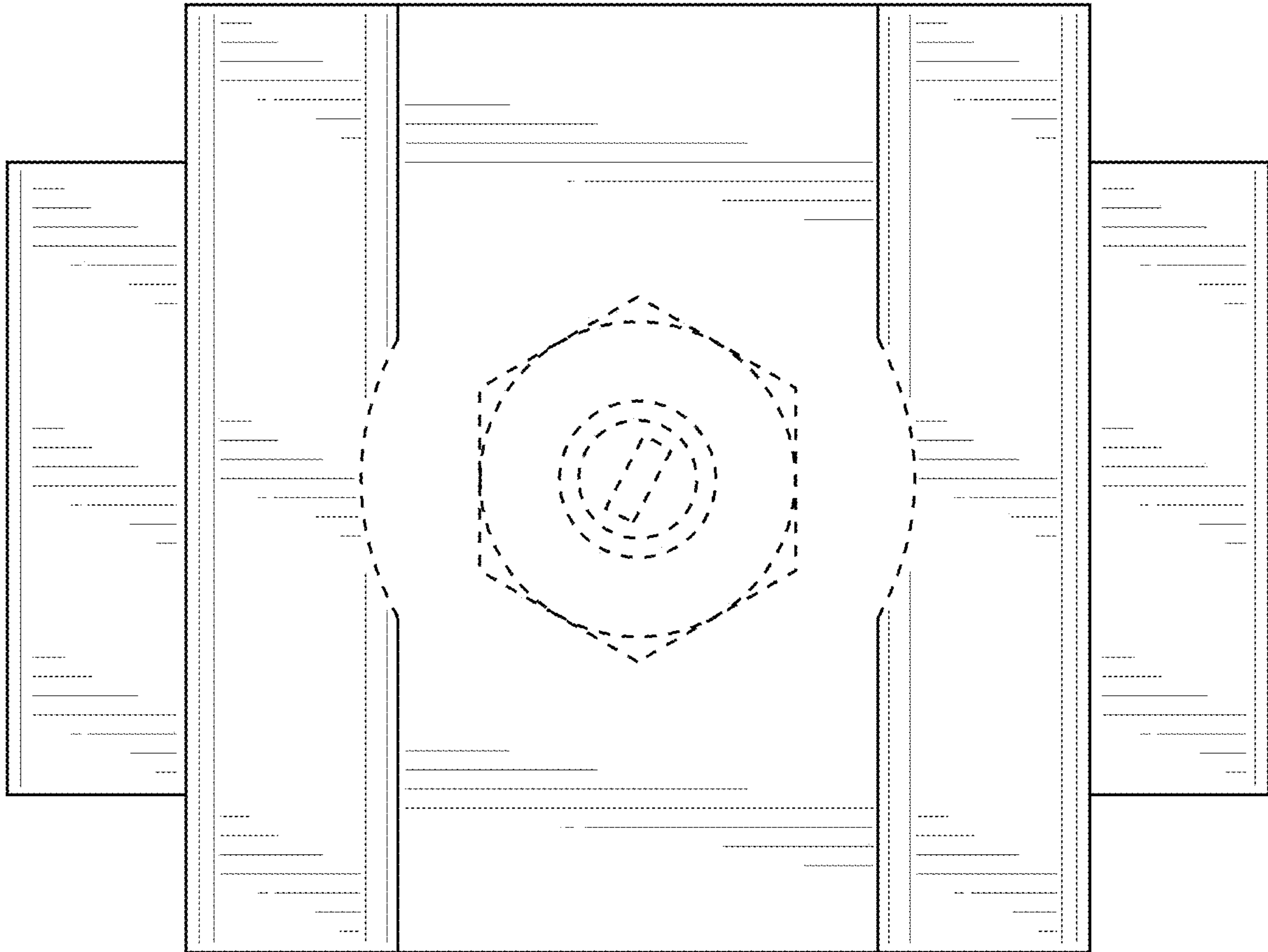


FIG. 13

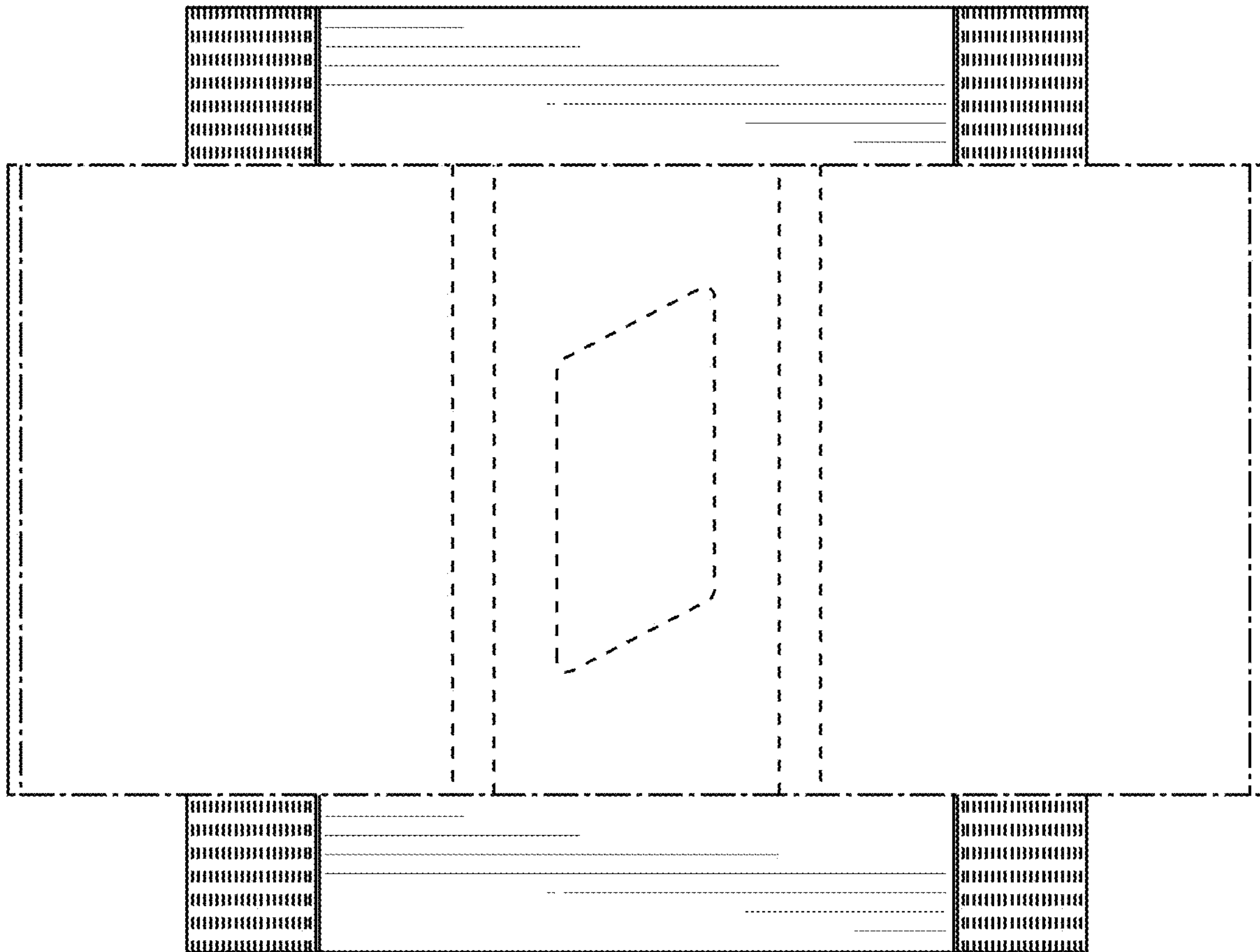


FIG. 14