



US00D973010S

(12) **United States Design Patent** (10) **Patent No.:** **US D973,010 S**
Liu (45) **Date of Patent:** **** Dec. 20, 2022**

(54) **CAR-MOUNTED WATER CUP BRACKET**
(71) Applicant: **Qingyuan Liu**, Guangdong (CN)
(72) Inventor: **Qingyuan Liu**, Guangdong (CN)
(**) Term: **15 Years**
(21) Appl. No.: **29/826,467**
(22) Filed: **Feb. 12, 2022**
(51) **LOC (13) Cl.** **12-16**
(52) **U.S. Cl.**
USPC **D12/419**
(58) **Field of Classification Search**
USPC D12/415, 419; D7/620
CPC .. B60R 7/08; B60Q 3/225; B60Q 3/64; B60N
3/10
See application file for complete search history.

D940,050 S * 1/2022 Lai D12/419
D940,635 S * 1/2022 Yang D12/419
D940,636 S * 1/2022 Yang D12/419
D945,948 S * 3/2022 Yu D12/419
D945,949 S * 3/2022 Yu D7/624.2

* cited by examiner

Primary Examiner — Katrina A Betton
(74) *Attorney, Agent, or Firm* — Che-Yang Chen; Law
Office of Michael Chen

(57) **CLAIM**

The ornamental design for a car-mounted water cup bracket,
as shown and described.

DESCRIPTION

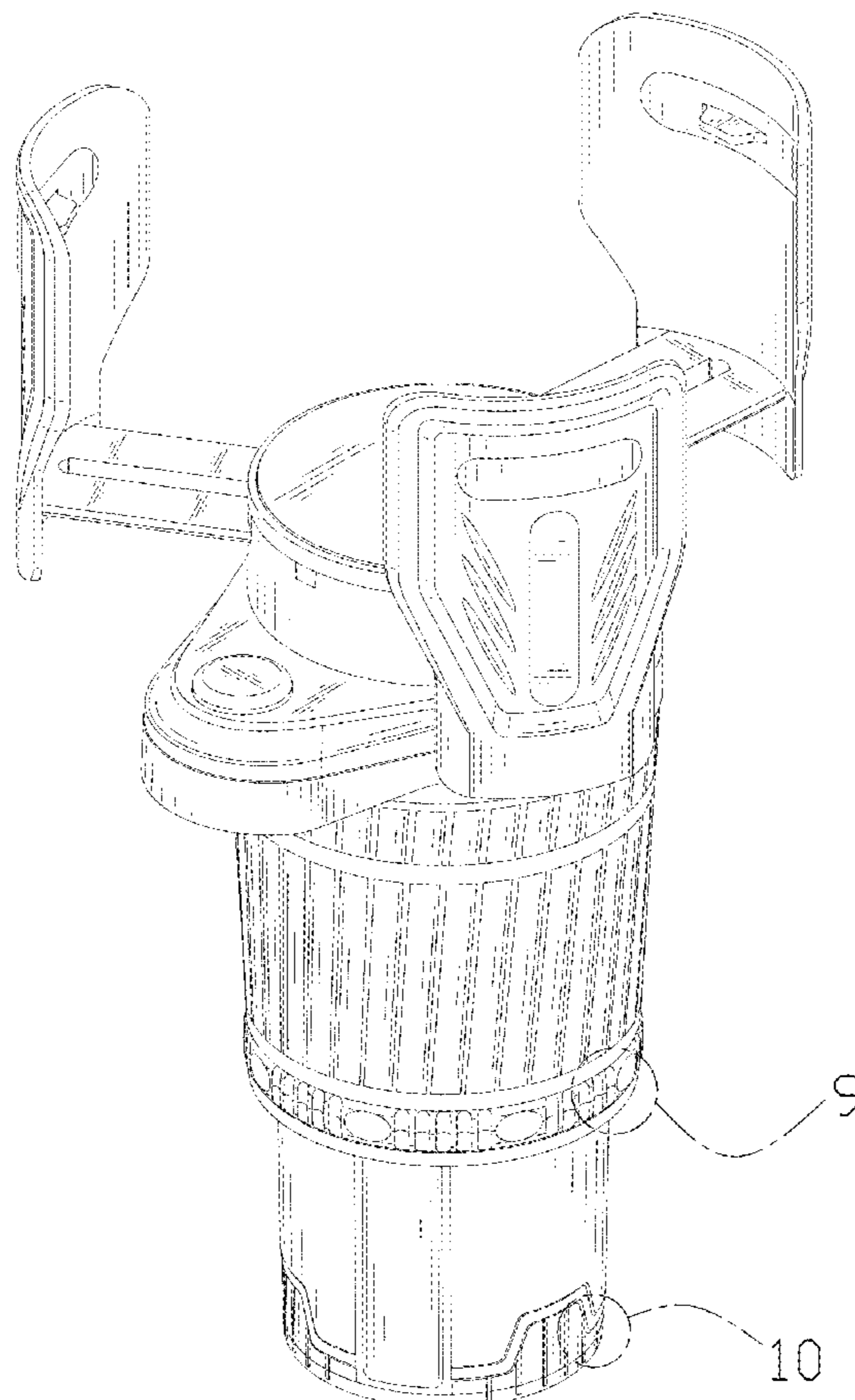
FIG. 1 is a perspective view of the car-mounted water cup bracket showing my new design;
FIG. 2 is a perspective view thereof from another angle;
FIG. 3 is a front elevational view thereof;
FIG. 4 is a rear elevational view thereof;
FIG. 5 is a left side elevational view thereof;
FIG. 6 is a right side elevational view thereof;
FIG. 7 is a top plan view thereof;
FIG. 8 is a bottom plan view thereof;
FIG. 9 is a partial enlarged view of portion 9 in FIG. 1;
FIG. 10 is a partial enlarged view of portion 10 in FIG. 1;
and,
FIG. 11 is a perspective view thereof when the car-mounted water cup bracket is folded.

(56) **References Cited**

U.S. PATENT DOCUMENTS

D868,674 S * 12/2019 Lozier D12/419
D877,045 S * 3/2020 Johnson D12/419
D877,046 S * 3/2020 Park D12/419
D906,229 S * 12/2020 Han D12/419
D913,201 S * 3/2021 Jia D12/419
D937,754 S * 12/2021 Xu D12/419
D938,342 S * 12/2021 Yang D12/419

1 Claim, 11 Drawing Sheets



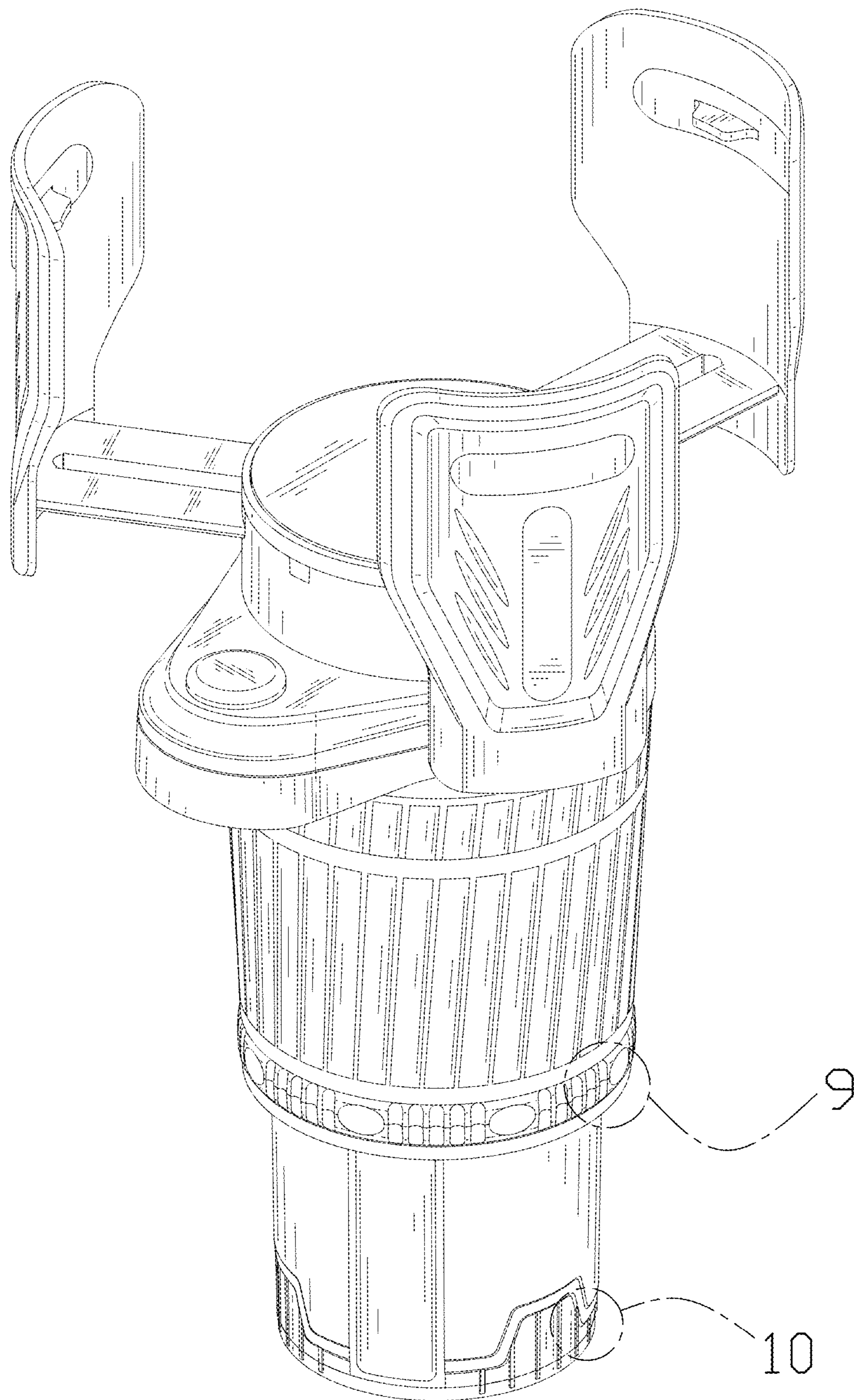


FIG. 1

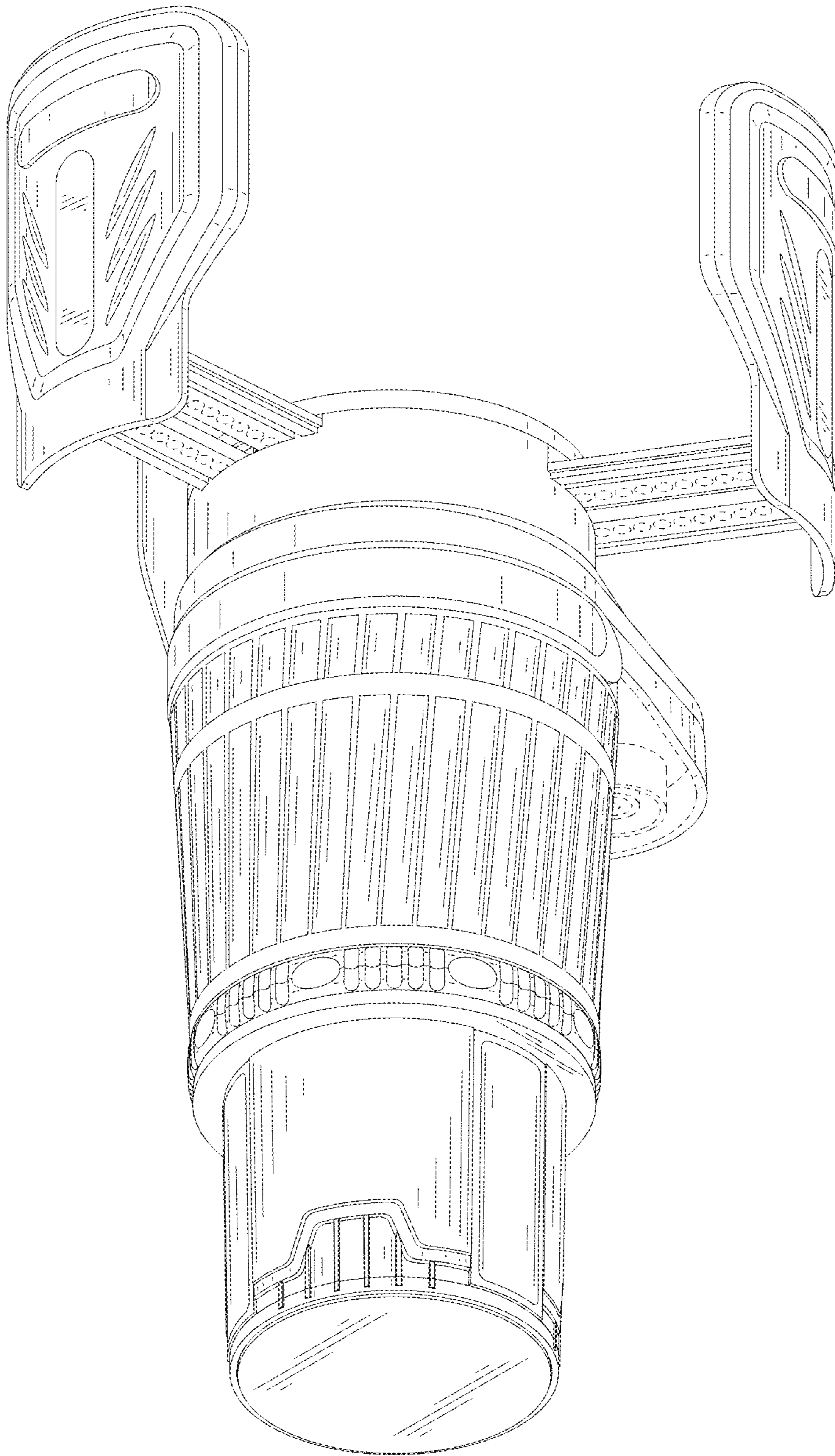


FIG. 2

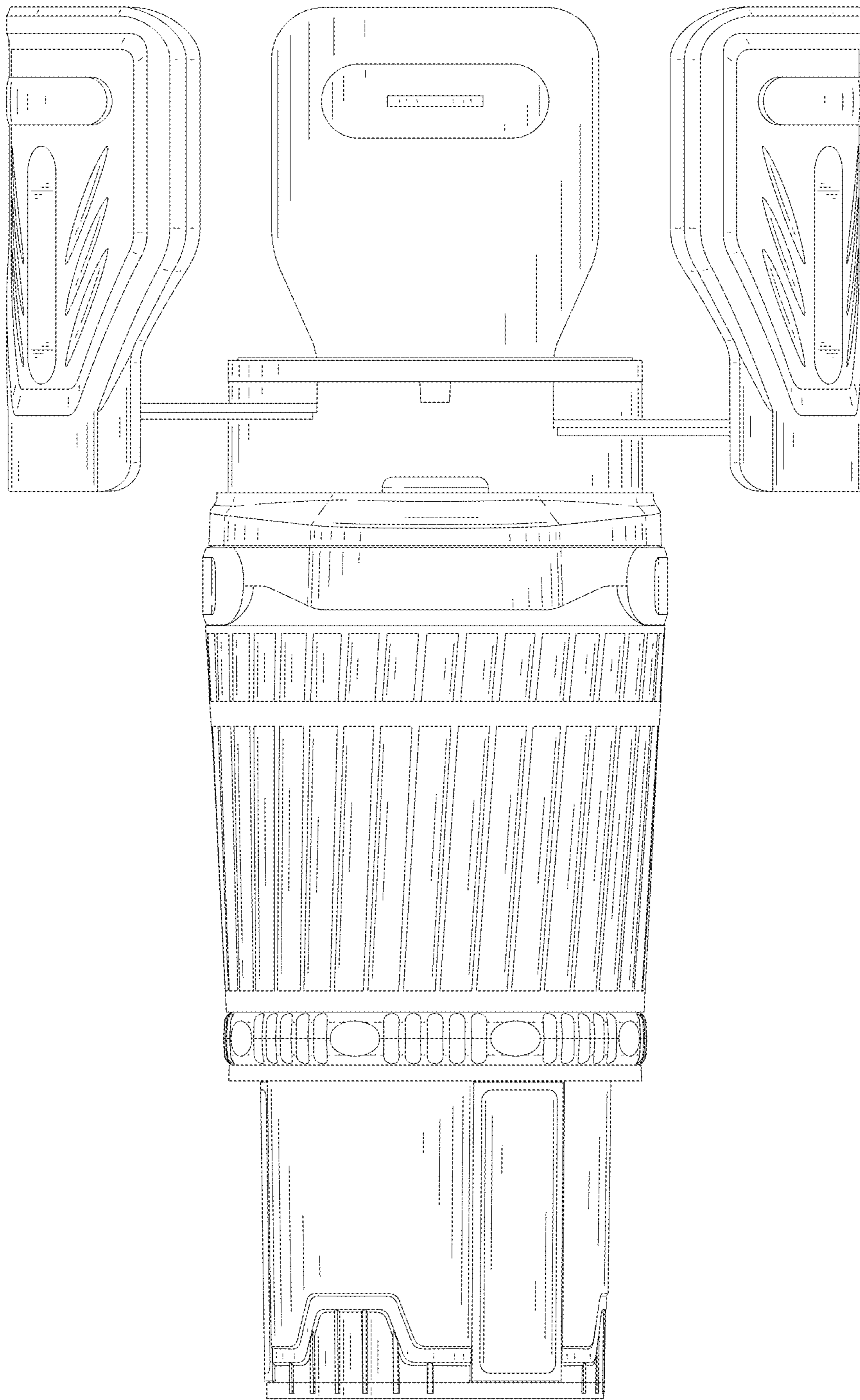


FIG. 3

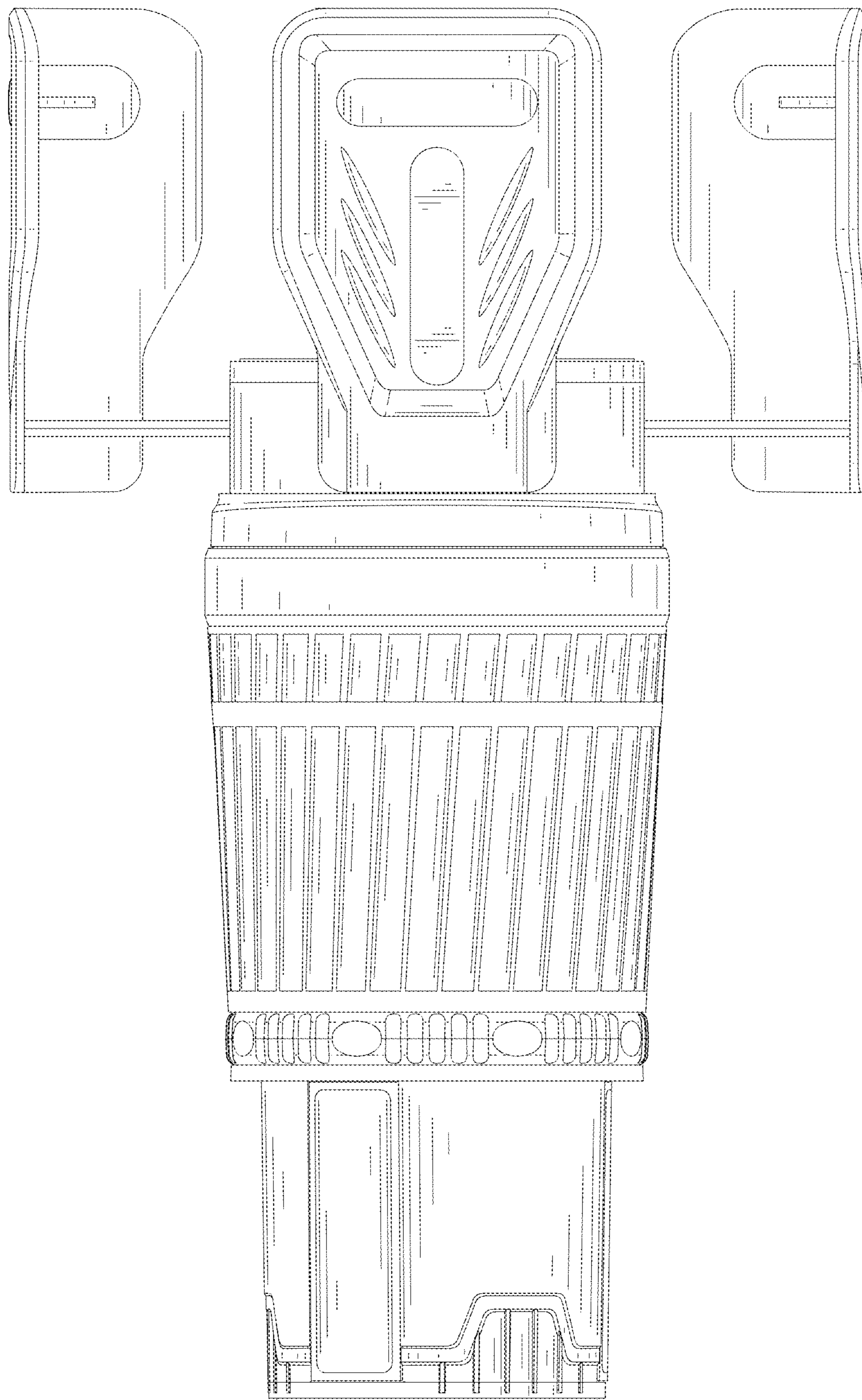


FIG. 4

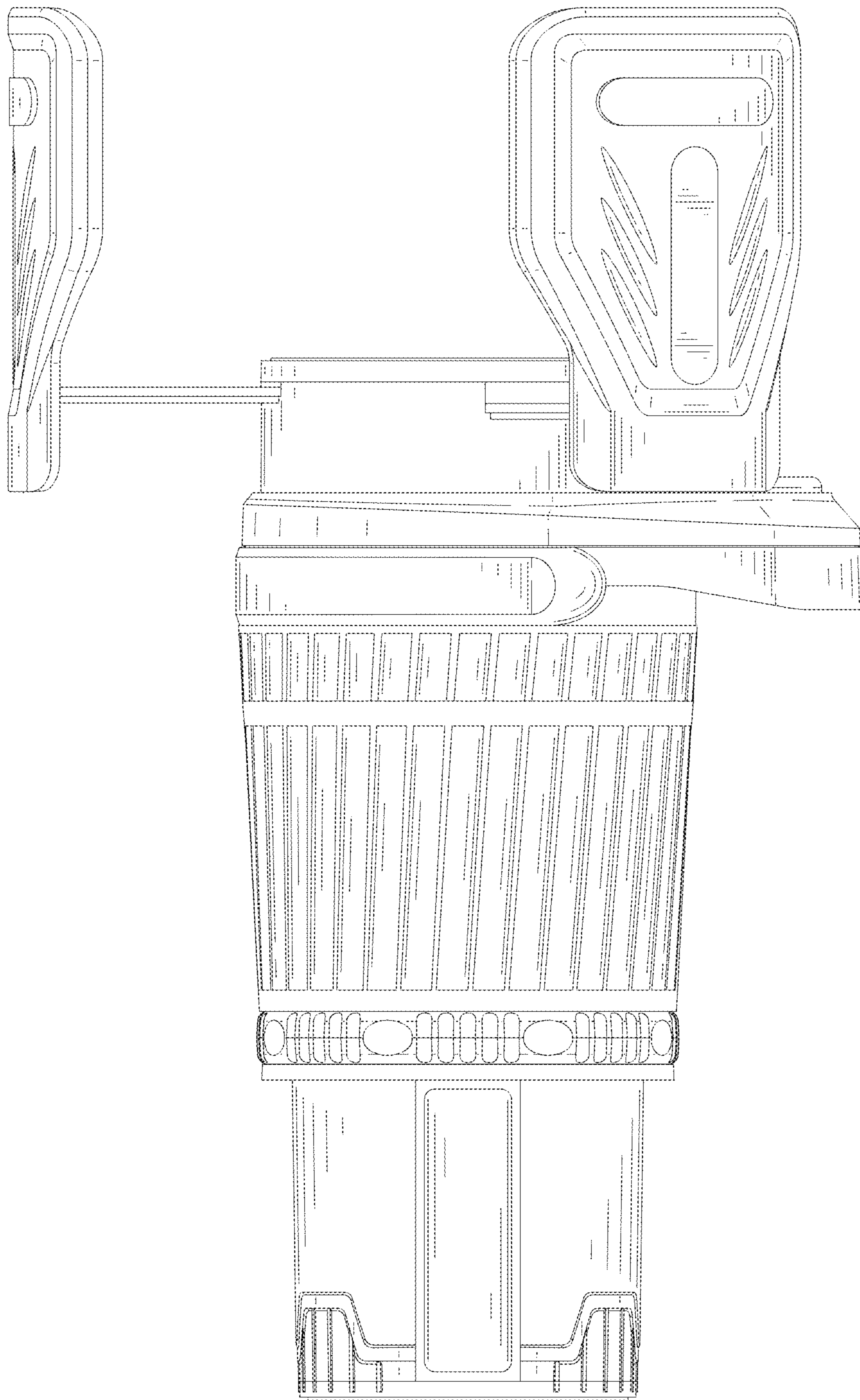


FIG. 5

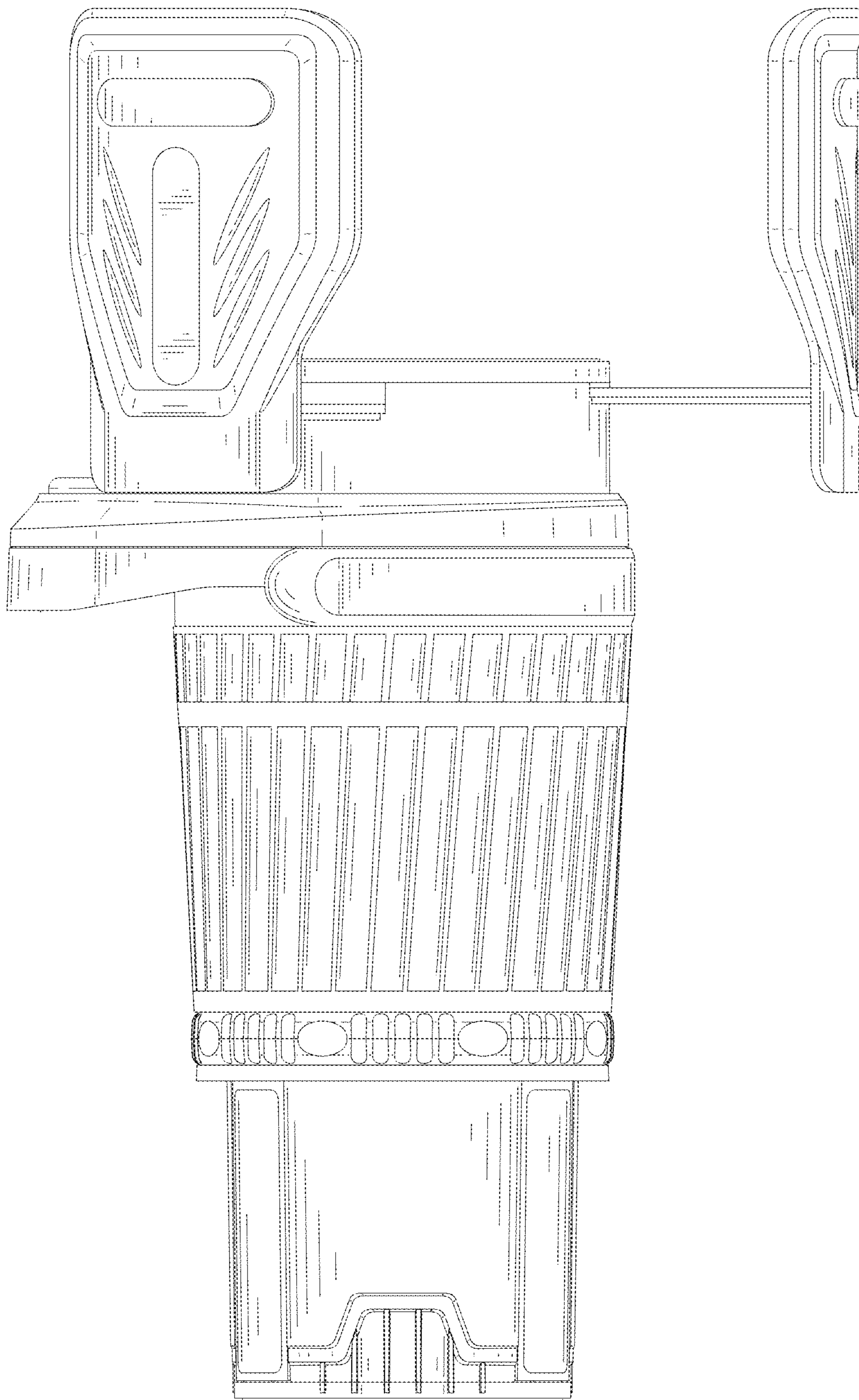


FIG. 6

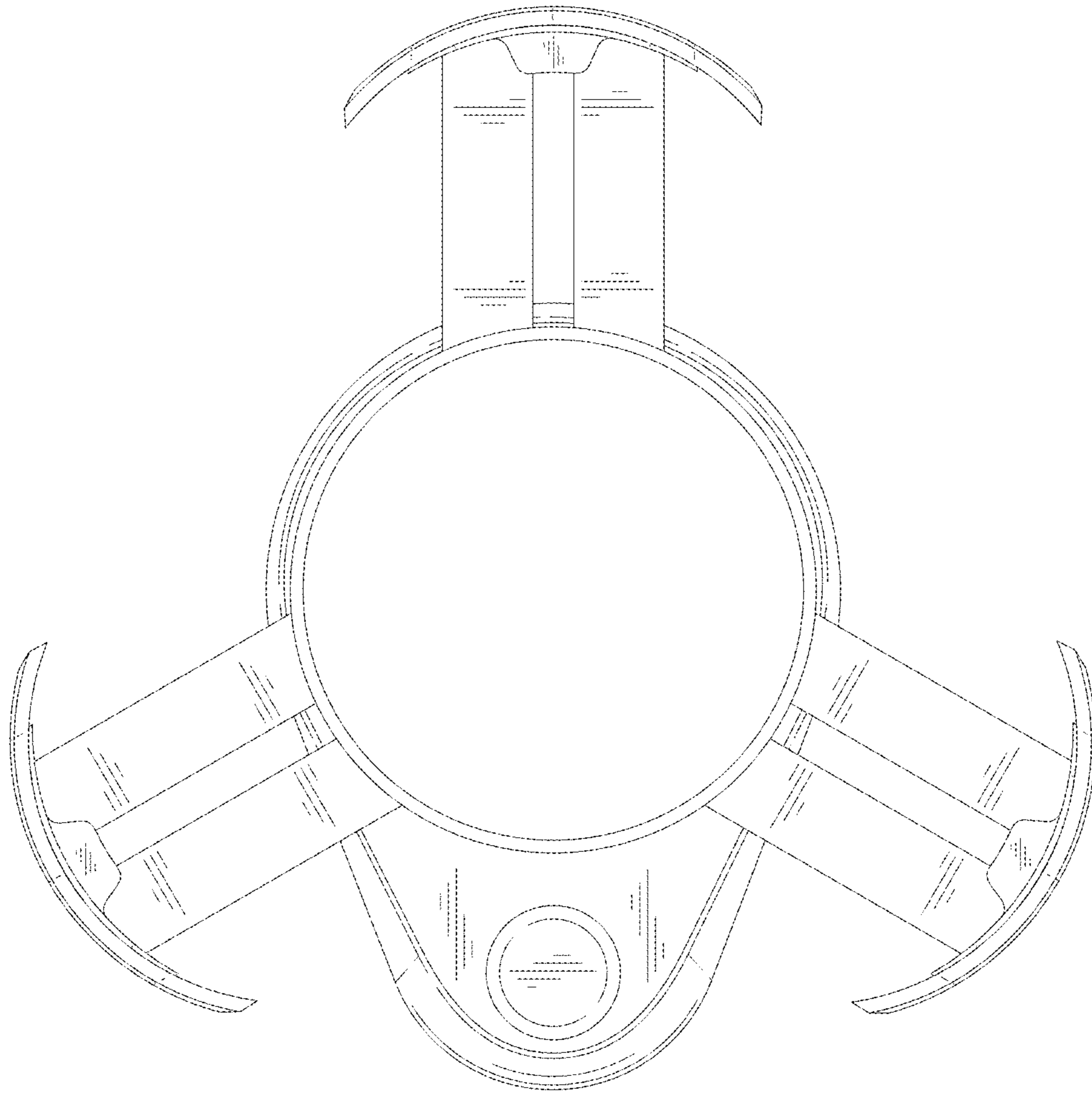


FIG. 7

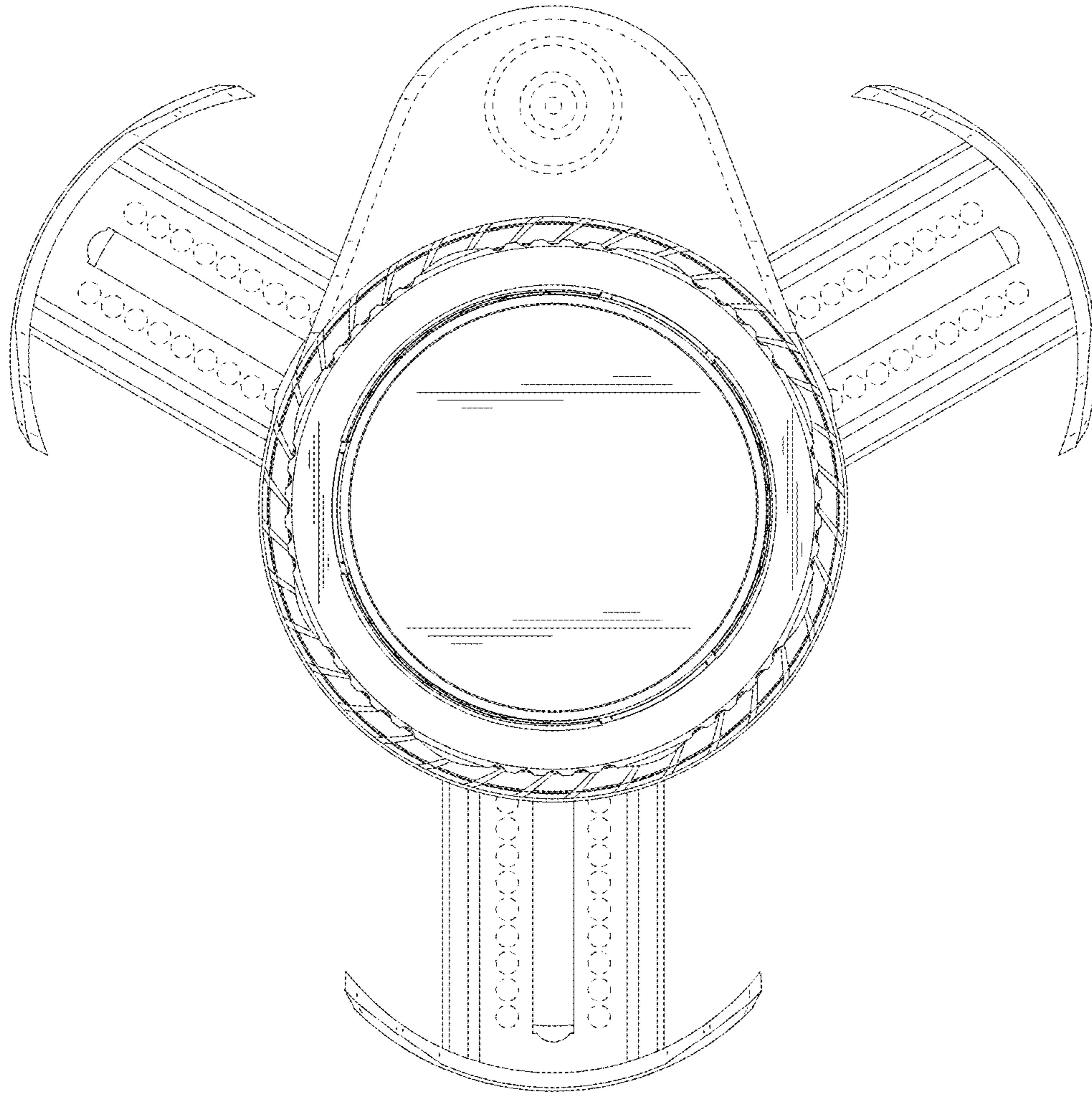


FIG. 8

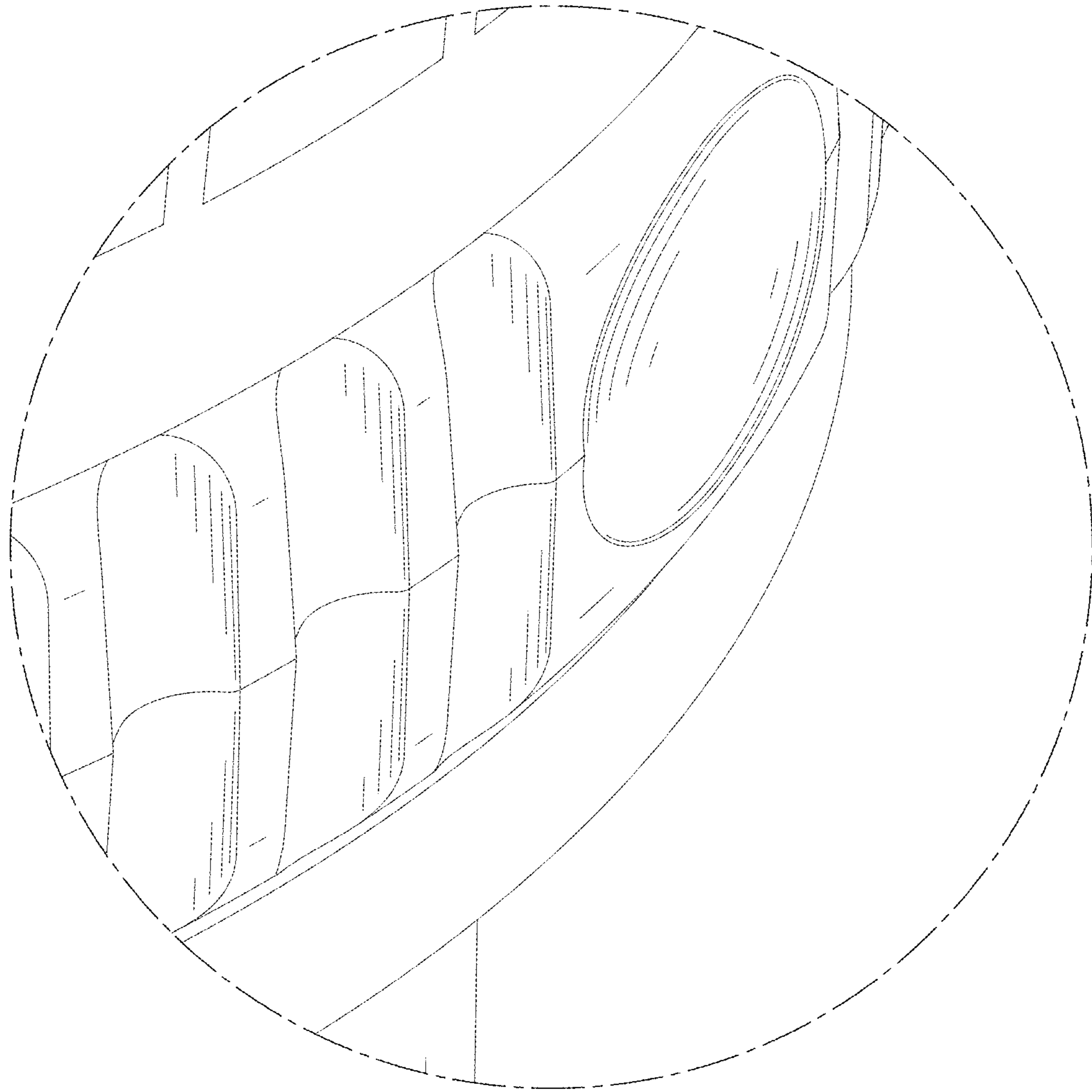


FIG. 9

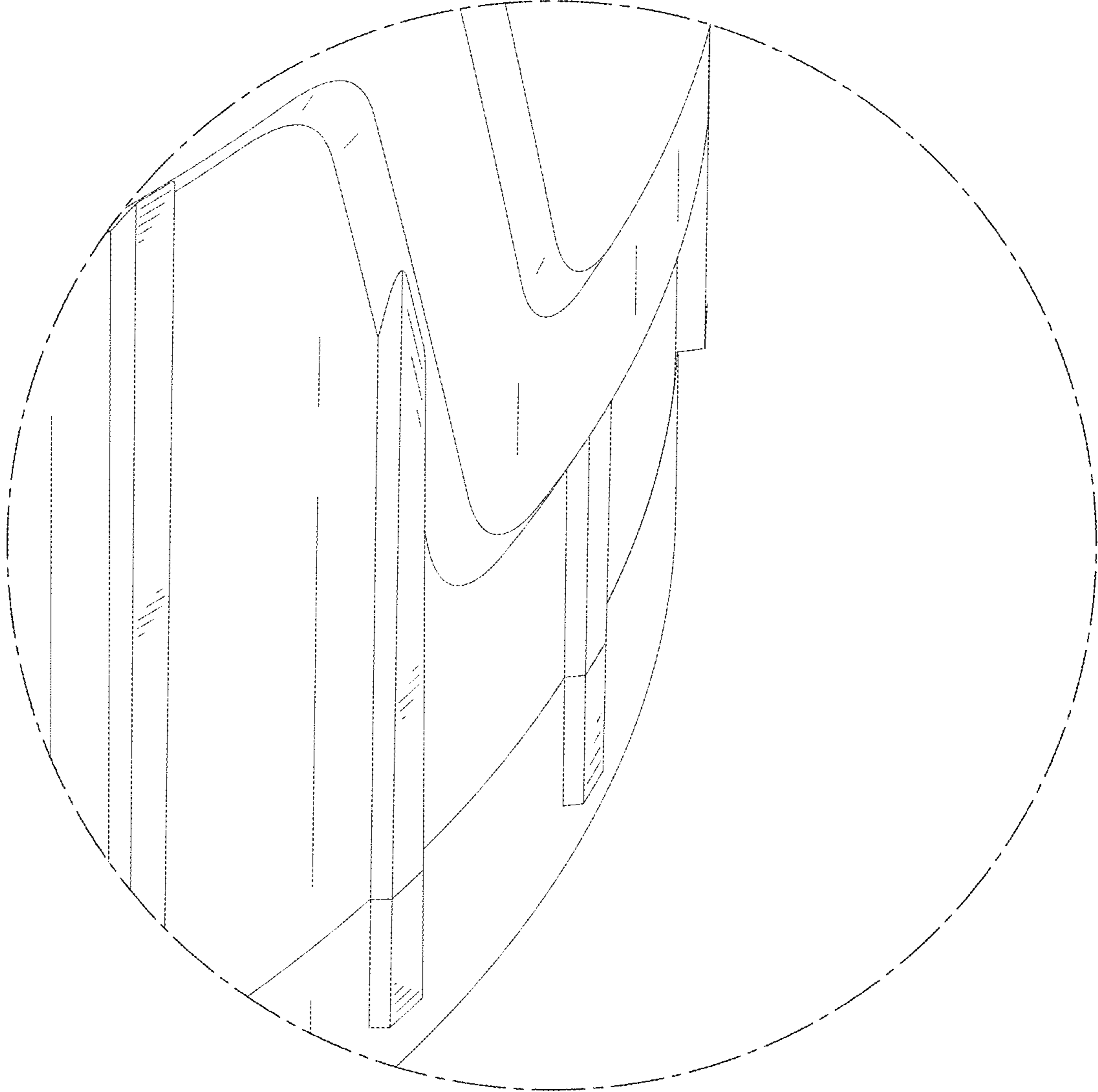


FIG. 10

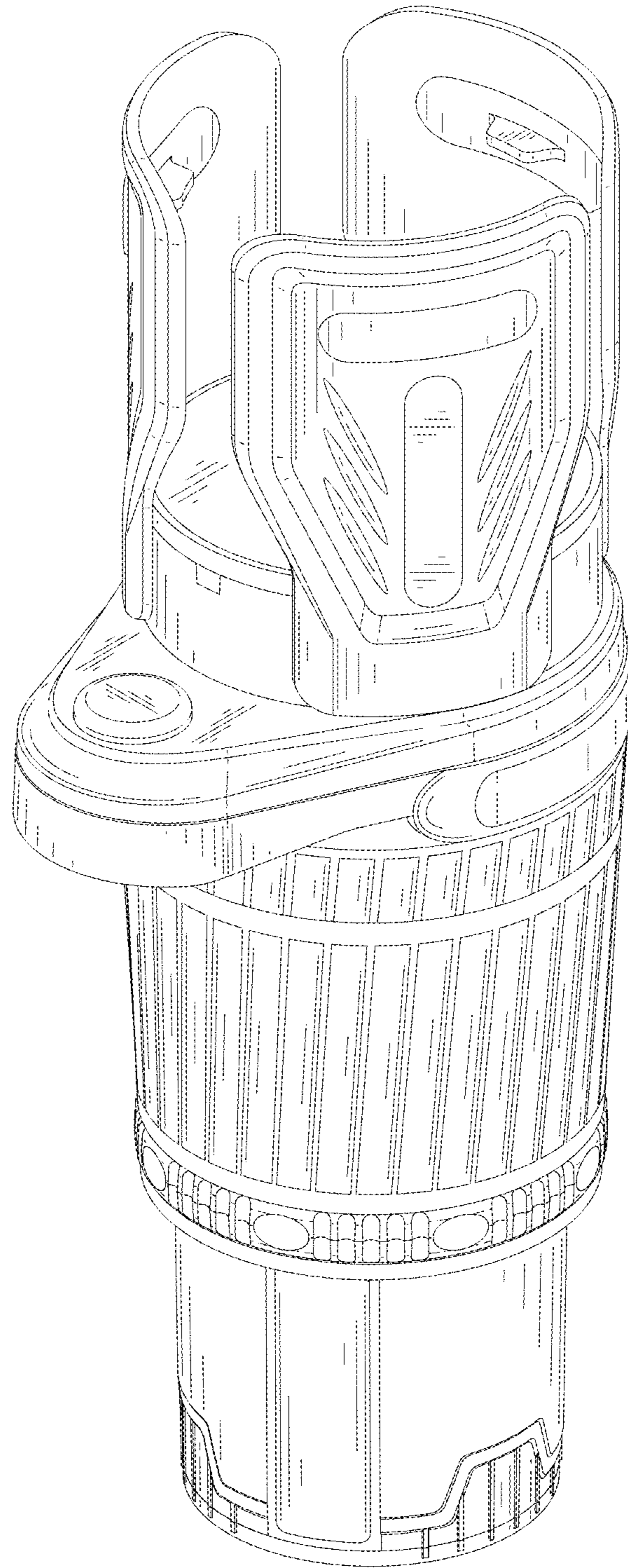


FIG. 11