



US00D973009S

(12) **United States Design Patent**
Chen

(10) **Patent No.:** **US D973,009 S**

(45) **Date of Patent:** **** Dec. 20, 2022**

(54) **VEHICLE-MOUNTED MULTI-FUNCTIONAL DINING TABLE**

(71) Applicant: **Shunqing Chen**, Guangdong (CN)

(72) Inventor: **Shunqing Chen**, Guangdong (CN)

(**) Term: **15 Years**

(21) Appl. No.: **29/820,755**

(22) Filed: **Dec. 23, 2021**

(30) **Foreign Application Priority Data**

Aug. 3, 2021 (CN) 202130498407.2

(51) **LOC (13) Cl.** **12-16**

(52) **U.S. Cl.**
USPC **D12/419**

(58) **Field of Classification Search**
USPC D12/415, 419; D7/620
CPC .. B60R 7/08; B60Q 3/225; B60Q 3/64; B60N
3/10
See application file for complete search history.

(56) **References Cited**

U.S. PATENT DOCUMENTS

D724,872 S	3/2015	Skalka	
D805,878 S	12/2017	Rassat	
D868,674 S *	12/2019	Lozier	D12/419
D877,045 S *	3/2020	Johnson	D12/419
D877,046 S *	3/2020	Park	D12/419
D906,229 S *	12/2020	Han	D12/419

D913,201 S *	3/2021	Jia	D12/419
D937,754 S *	12/2021	Xu	D12/419
D938,342 S *	12/2021	Yang	D12/419
D940,050 S *	1/2022	Lai	D12/419
D940,635 S *	1/2022	Yang	D12/419
D940,636 S *	1/2022	Yang	D12/419
D945,948 S *	3/2022	Yu	D12/419
D945,949 S *	3/2022	Yu	D7/624.2

* cited by examiner

Primary Examiner — Katrina A Betton

(74) *Attorney, Agent, or Firm* — Che-Yang Chen; Law Office of Michael Chen

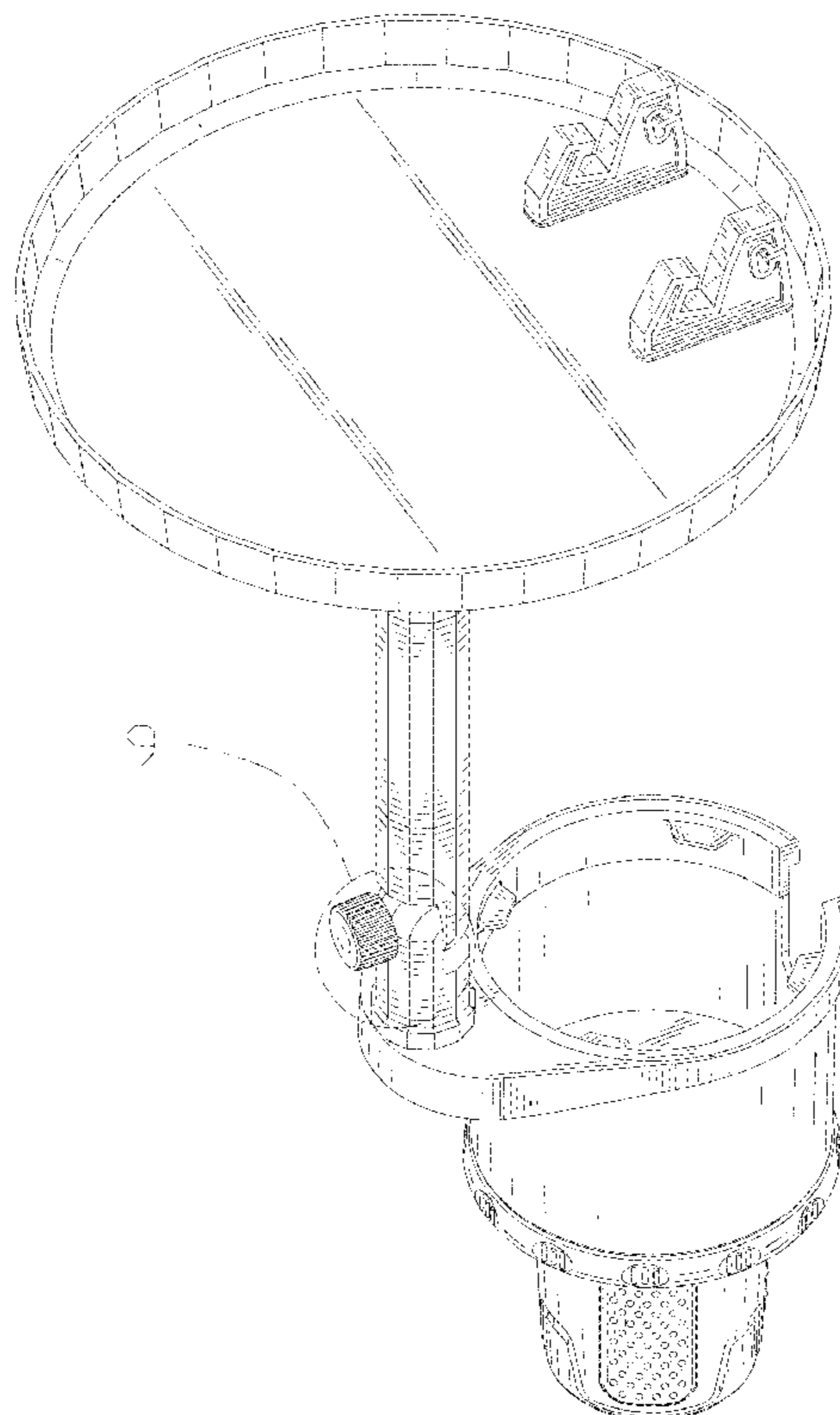
(57) **CLAIM**

The ornamental design for a vehicle-mounted multi-functional dining table, as shown and described.

DESCRIPTION

FIG. 1 is a perspective view of the vehicle-mounted multi-functional dining table showing my new design;
 FIG. 2 is a perspective view thereof from another angle;
 FIG. 3 is a front elevational view thereof;
 FIG. 4 is a rear elevational view thereof;
 FIG. 5 is a left side elevational view thereof;
 FIG. 6 is a right side elevational view thereof;
 FIG. 7 is a top plan view thereof;
 FIG. 8 is a bottom plan view thereof;
 FIG. 9 is a partial enlarged view of portion 9 in FIG. 1;
 FIG. 10 is a partial enlarged view of portion 10 in FIG. 2;
 and,
 FIG. 11 is a partial enlarged view of portion 11 in FIG. 2.

1 Claim, 11 Drawing Sheets



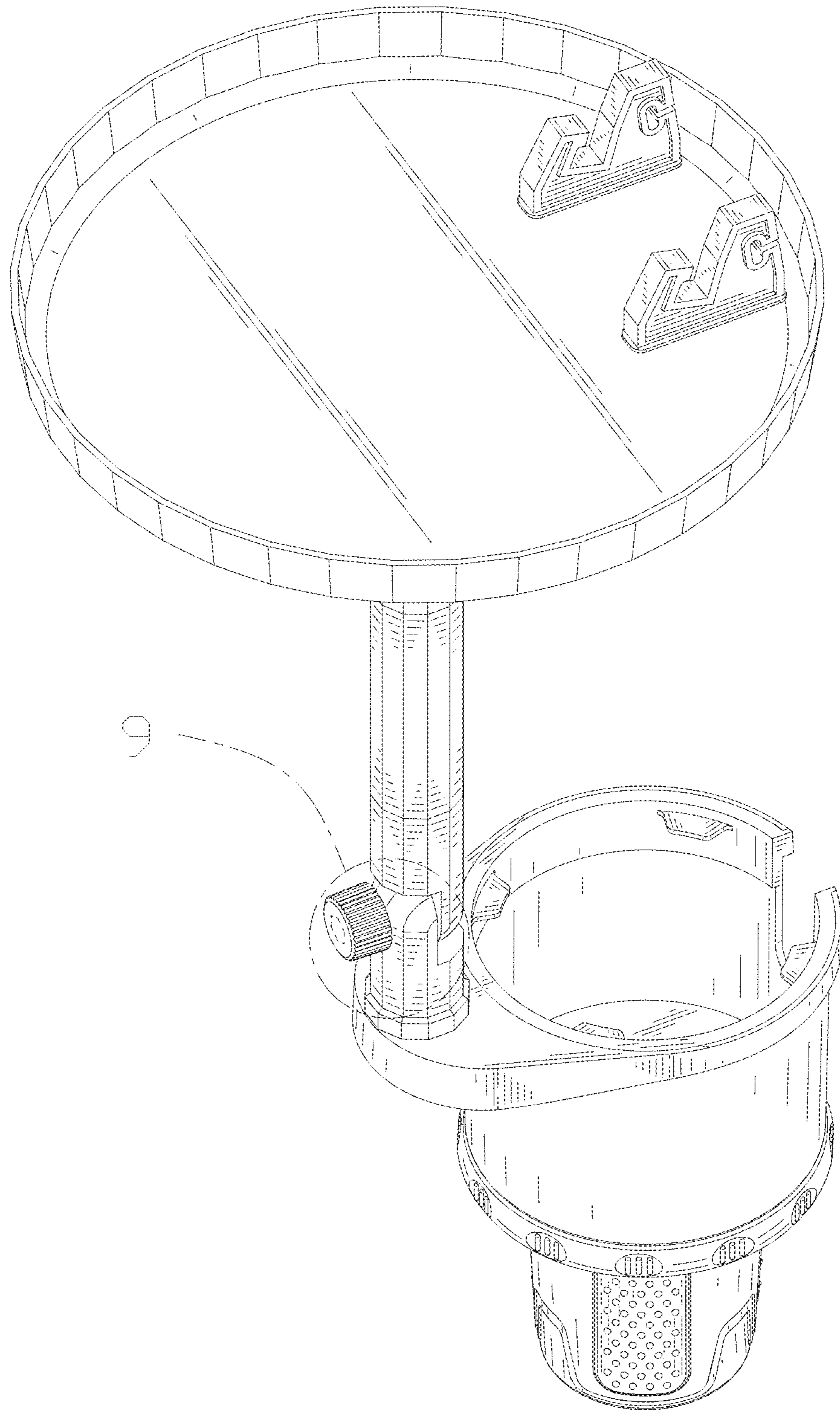


FIG. 1

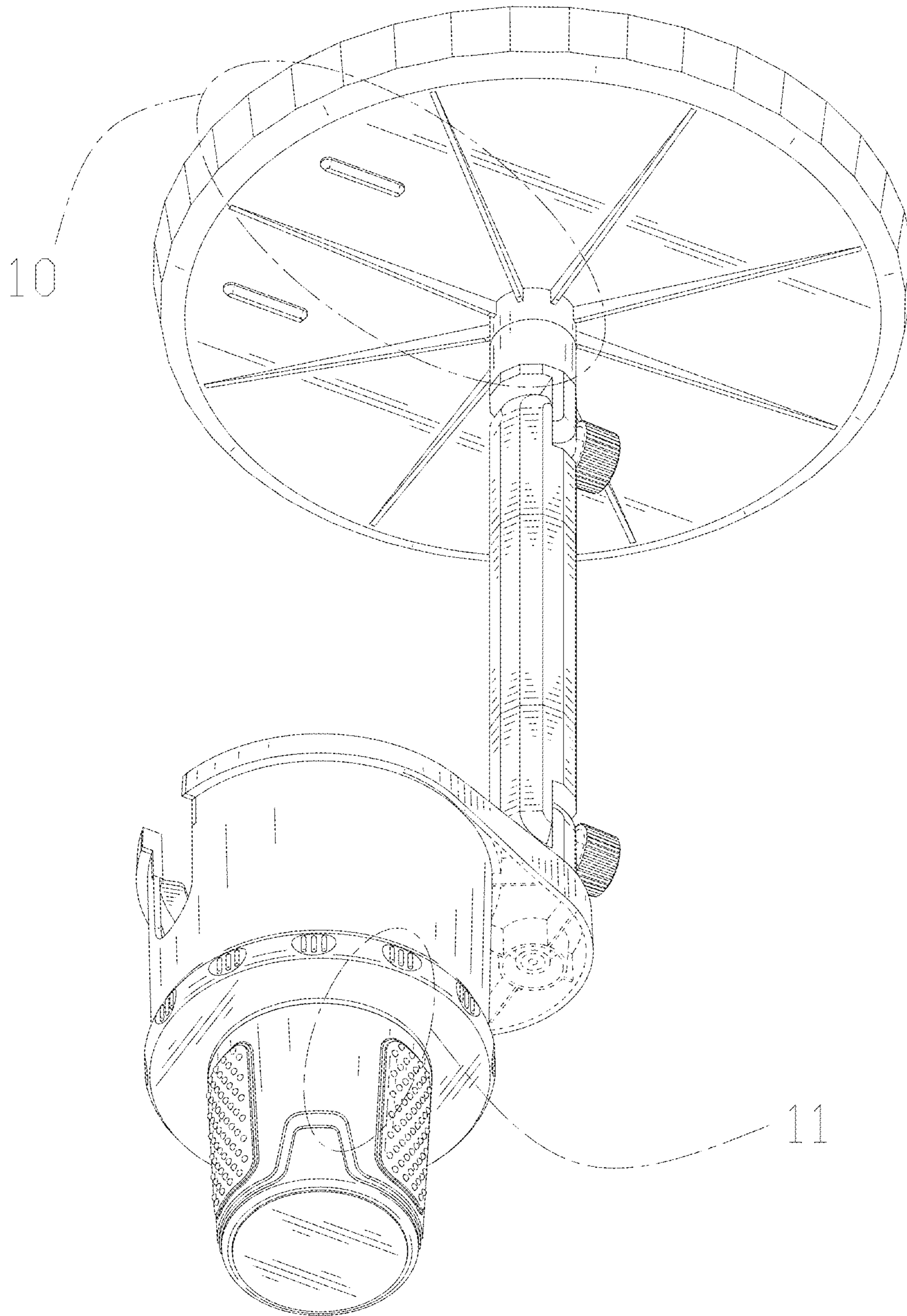


FIG. 2

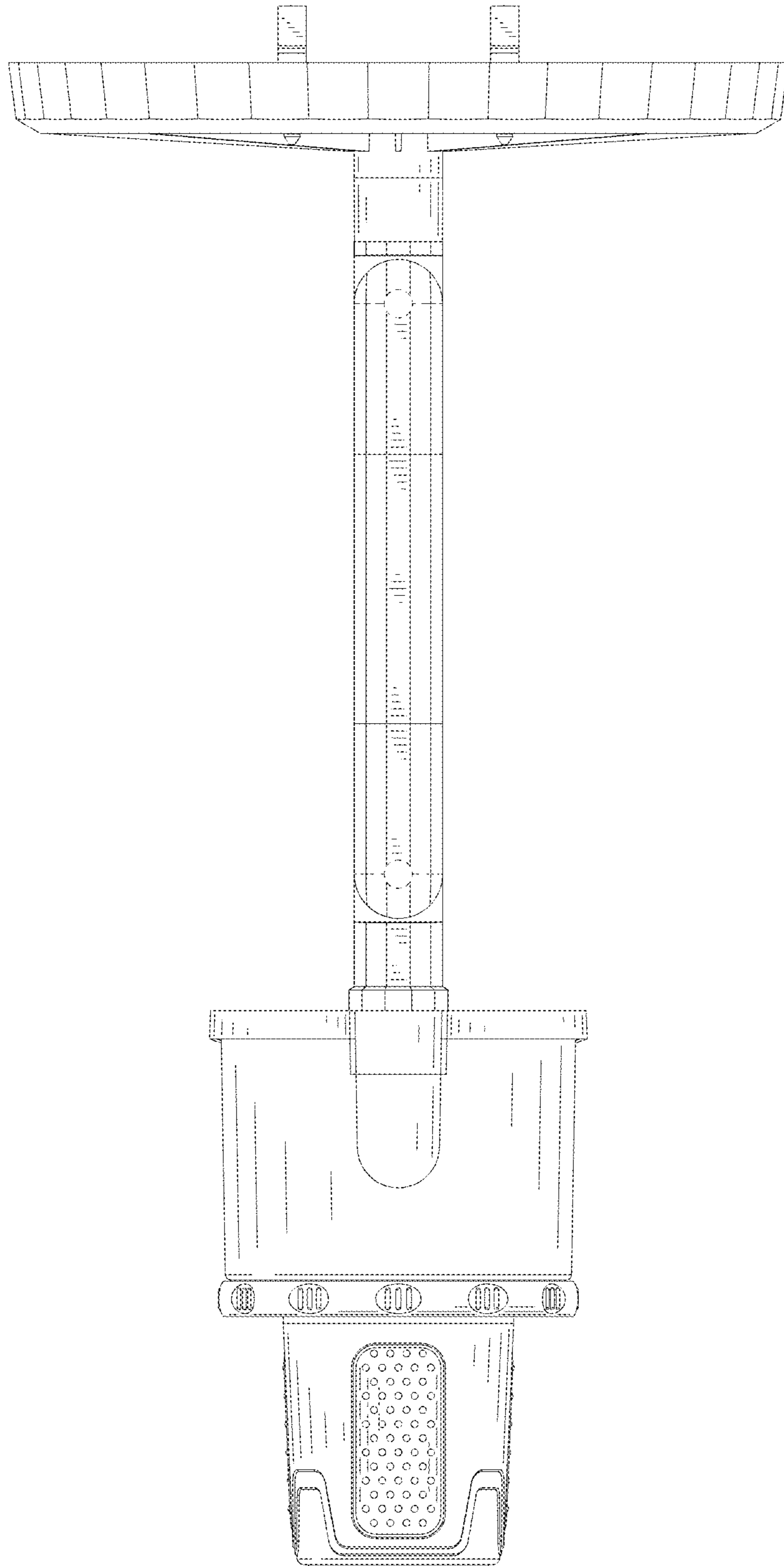


FIG. 3

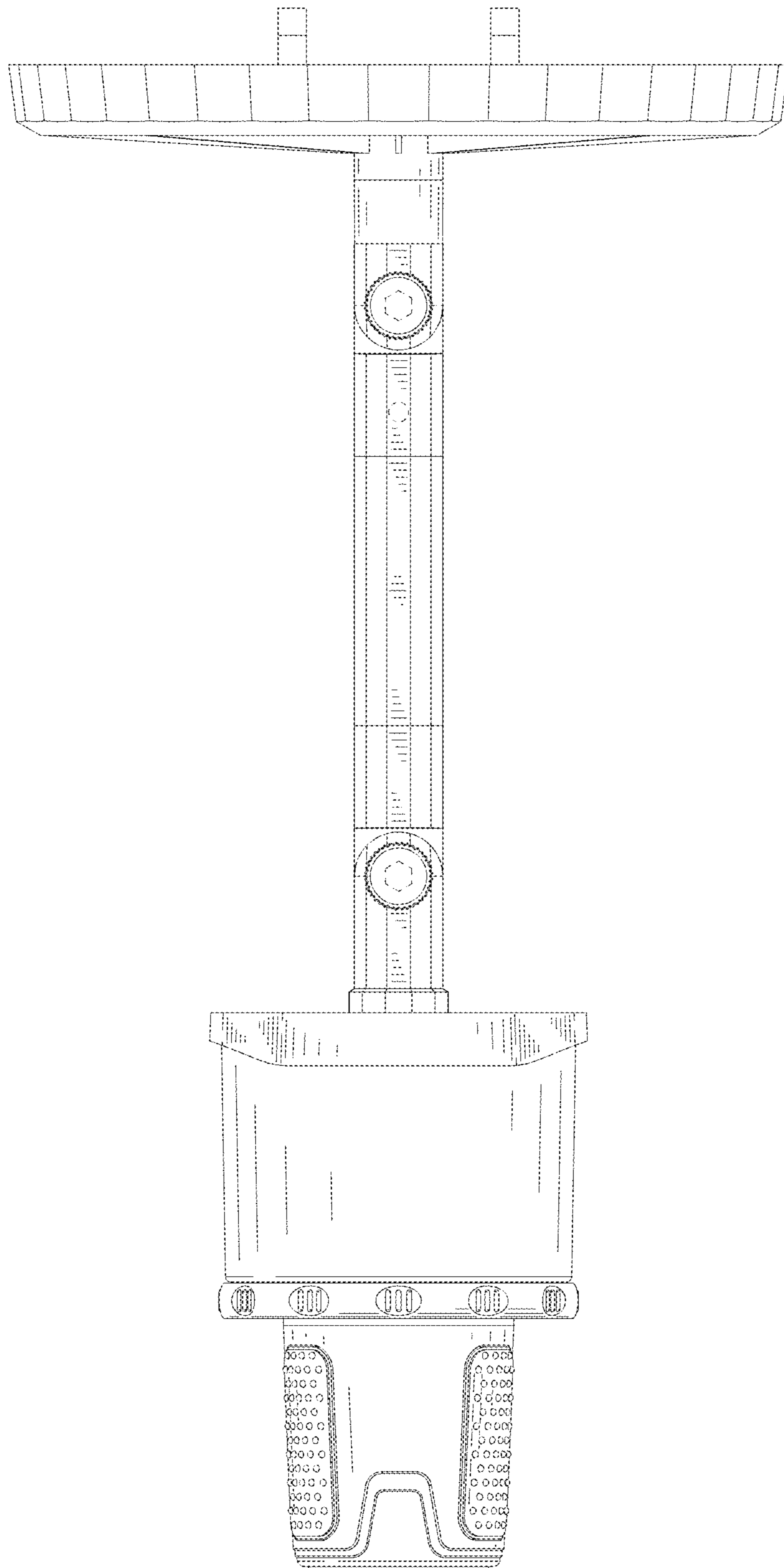


FIG. 4

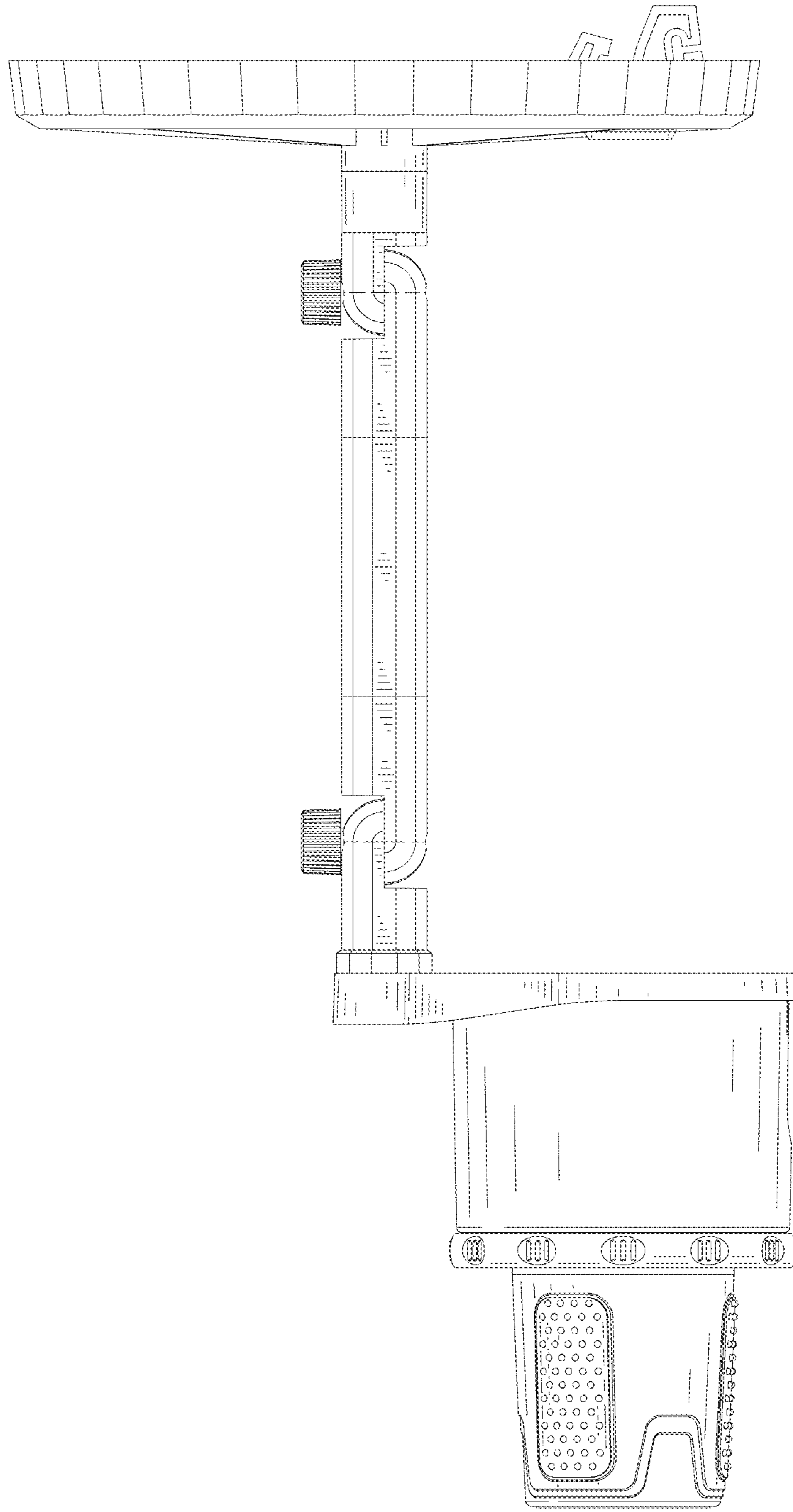


FIG. 5

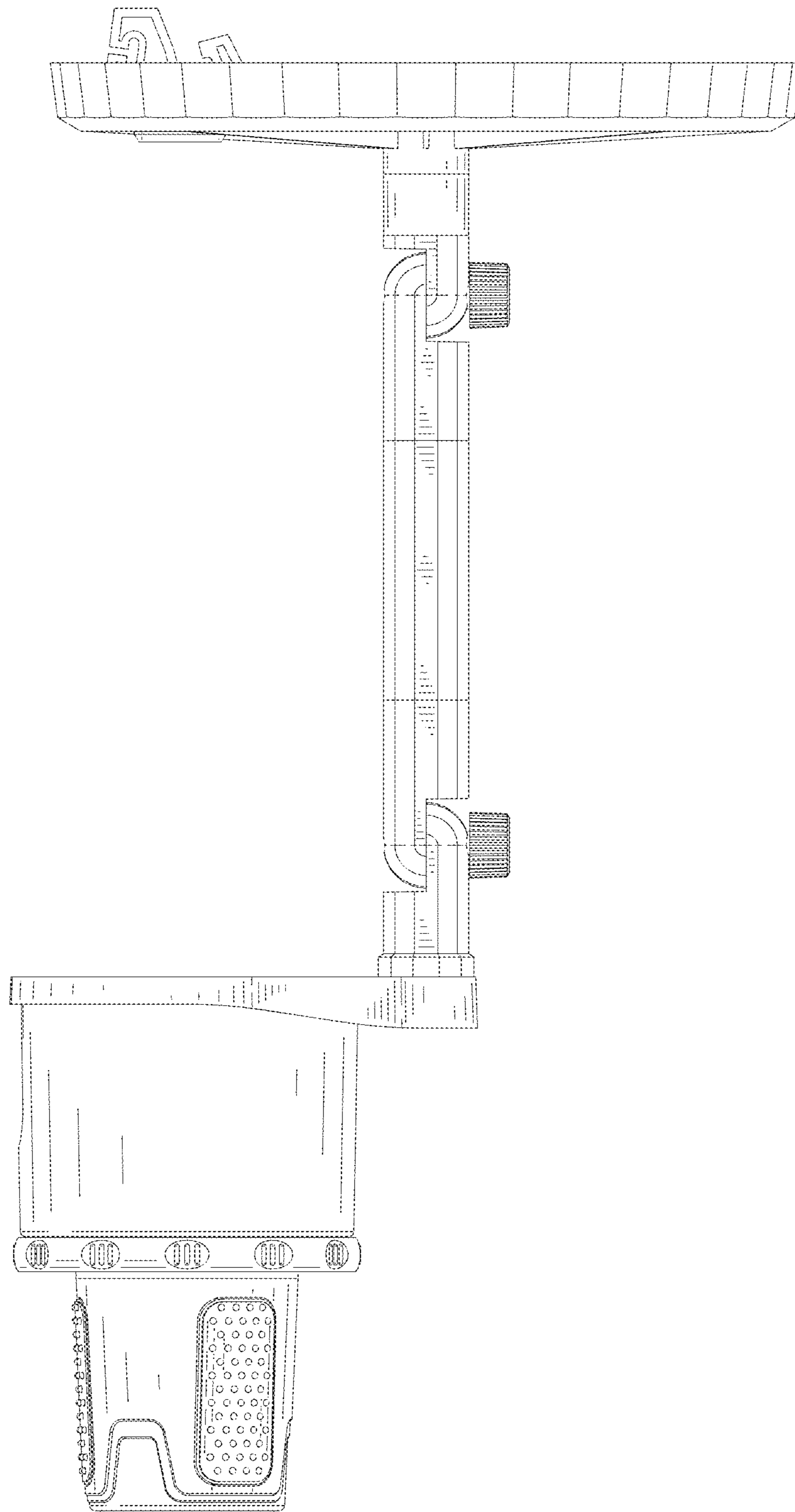


FIG. 6

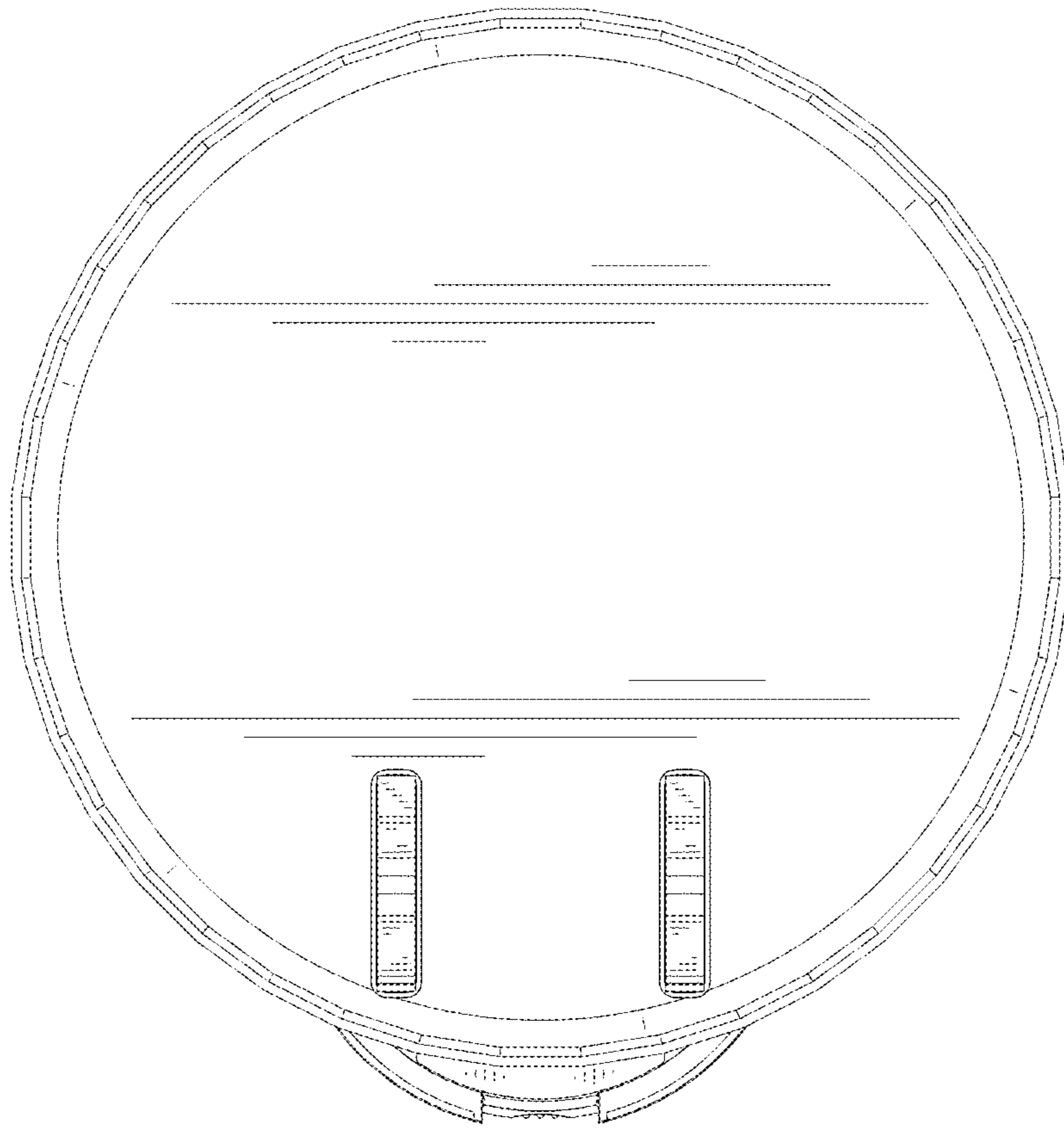


FIG. 7

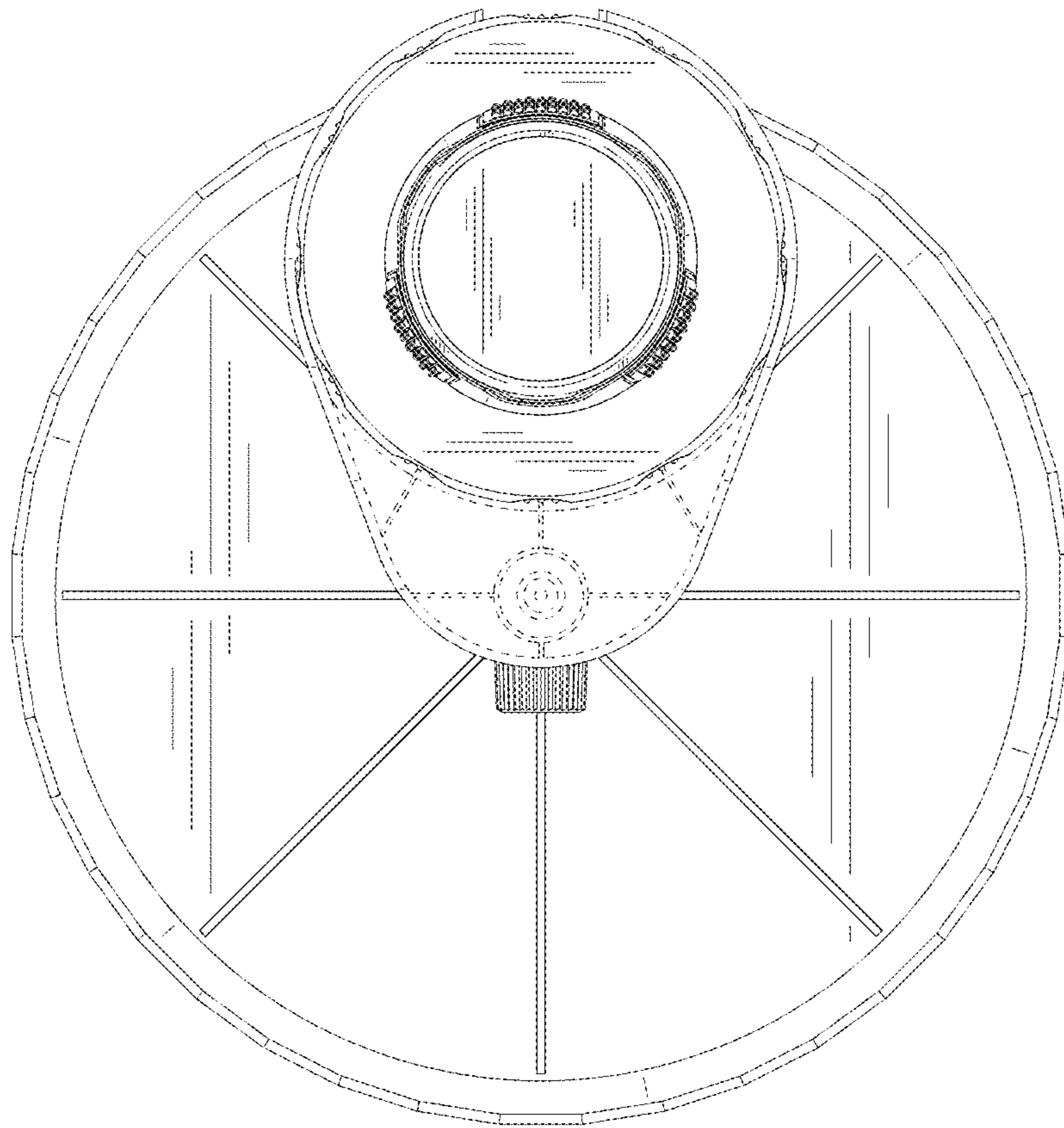


FIG. 8

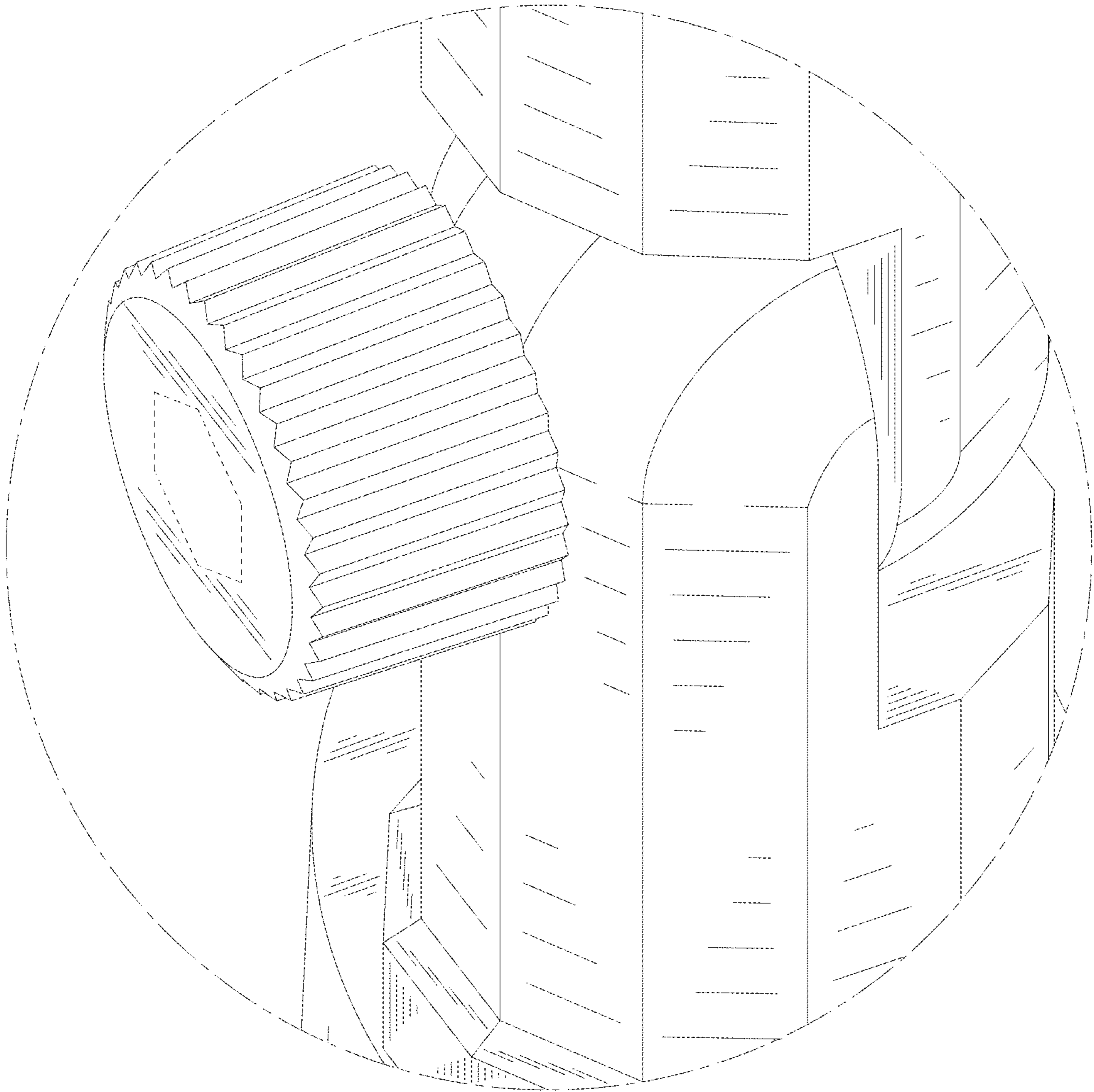


FIG. 9

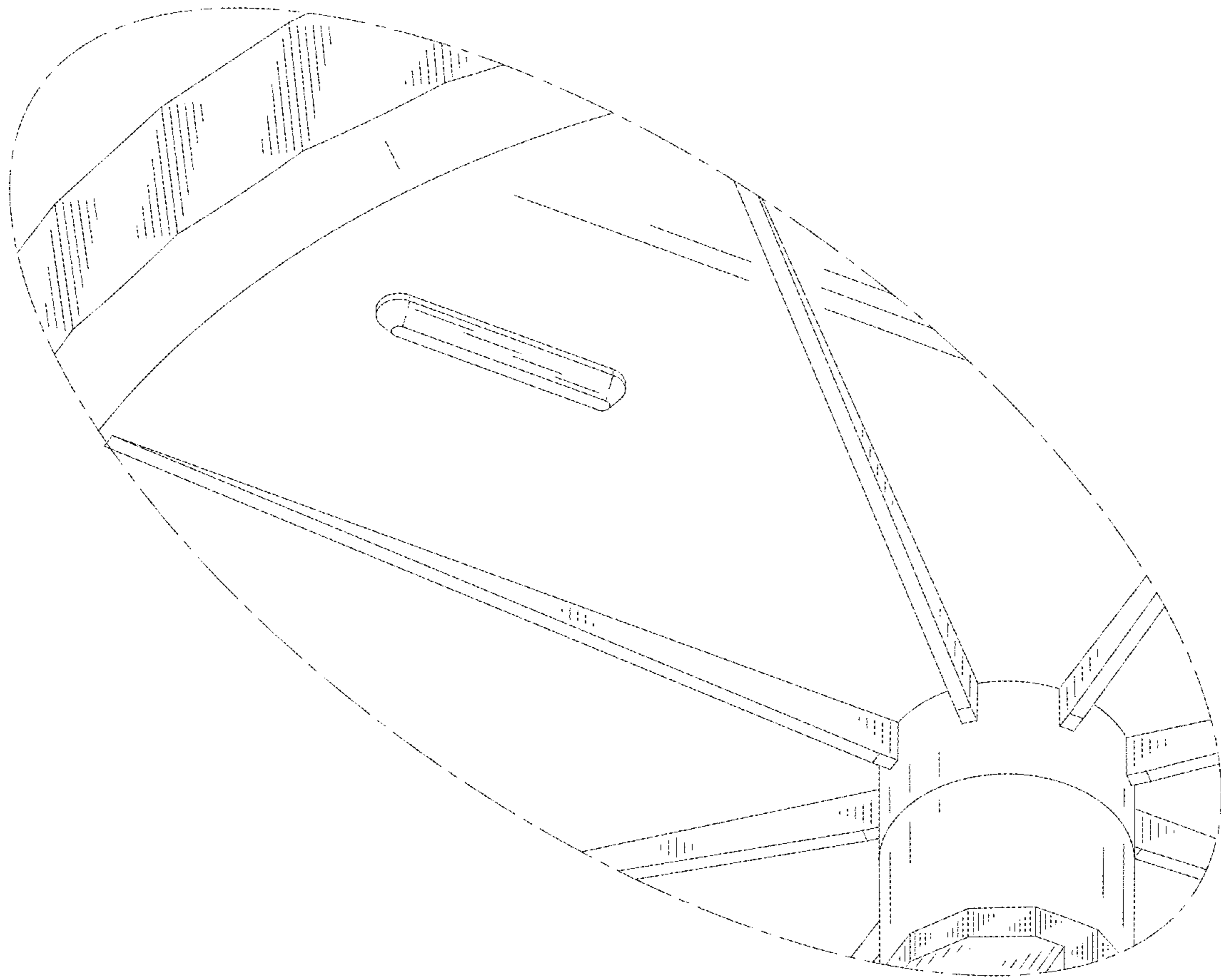


FIG. 10

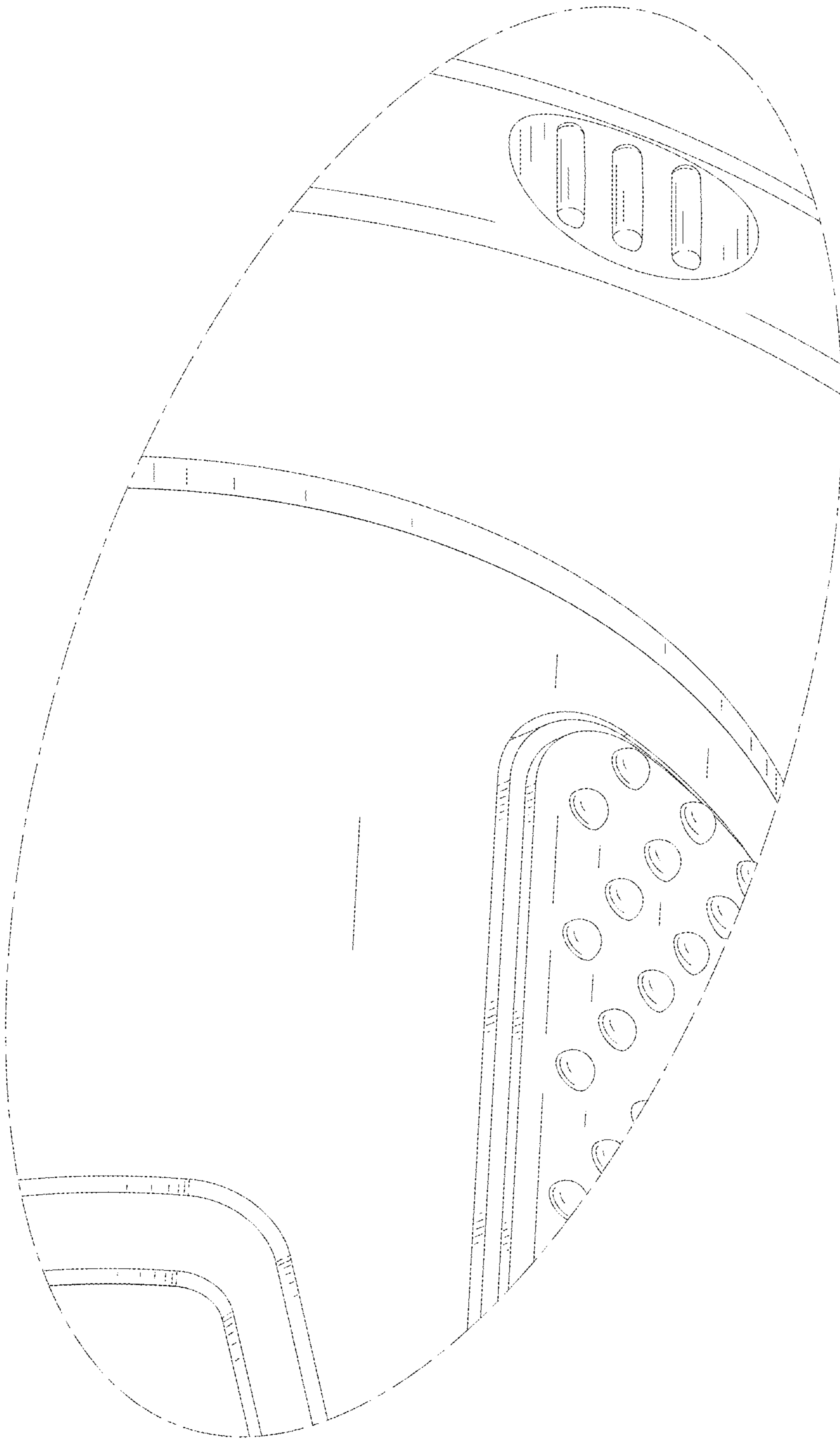


FIG. 11