



US00D973008S

(12) **United States Design Patent** (10) **Patent No.:** **US D973,008 S**
Lambert (45) **Date of Patent:** **** Dec. 20, 2022**

(54) **CONVERTIBLE PADDLE BLADE**

(71) Applicant: **Jerry L. Lambert**, Honolulu, HI (US)

(72) Inventor: **Jerry L. Lambert**, Honolulu, HI (US)

(**) Term: **15 Years**

(21) Appl. No.: **29/791,314**

(22) Filed: **Jan. 7, 2022**

(51) **LOC (13) Cl.** **12-06**

(52) **U.S. Cl.**
USPC **D12/215**

(58) **Field of Classification Search**
USPC D12/215, 302, 306, 317; D21/679, 798,
D21/801

(Continued)

(56) **References Cited**

U.S. PATENT DOCUMENTS

3,037,219 A * 6/1962 Webb B63H 16/04
416/240
3,362,033 A * 1/1968 Fee B63H 16/04
416/72

(Continued)

FOREIGN PATENT DOCUMENTS

GB 2201389 A 9/1988
KR 101862289 B1 5/2018
WO 2008/102386 A1 8/2008

Primary Examiner — Michelle E. Wilson

Assistant Examiner — Clese Moore, Jr.

(74) *Attorney, Agent, or Firm* — Seth M. Reiss

(57) **CLAIM**

I claim the ornamental design for a convertible paddle blade, as shown and described.

DESCRIPTION

FIG. 1 is a front perspective view of the convertible paddle blade of the subject invention in expanded form shown from above;

FIG. 2 is a rear perspective view of the convertible paddle blade of the subject invention in expanded form shown from below;

FIG. 3 is a top view of the convertible paddle blade in expanded form;

FIG. 4 is a bottom view of the convertible paddle blade in expanded form;

FIG. 5 is a left side view of the convertible paddle blade in expanded form;

FIG. 6 is a right side view of the convertible paddle blade in expanded form;

FIG. 7 is a front view of the convertible paddle blade in expanded form;

FIG. 8 is a back view of the convertible paddle blade in expanded form;

FIG. 9 is a front perspective view of the convertible paddle blade of the subject invention in use in expanded form, shown from above;

FIG. 10 is a front perspective view of the convertible paddle blade of the subject invention in collapsed form shown from above;

FIG. 11 is a rear perspective view of the convertible paddle blade of the subject invention in collapsed form shown from below;

FIG. 12 is a top view of the convertible paddle blade in collapsed form;

FIG. 13 is a bottom view of the convertible paddle blade in collapsed form;

FIG. 14 is a left side view of the convertible paddle blade in collapsed form;

FIG. 15 is a right side view of the convertible paddle blade in collapsed form;

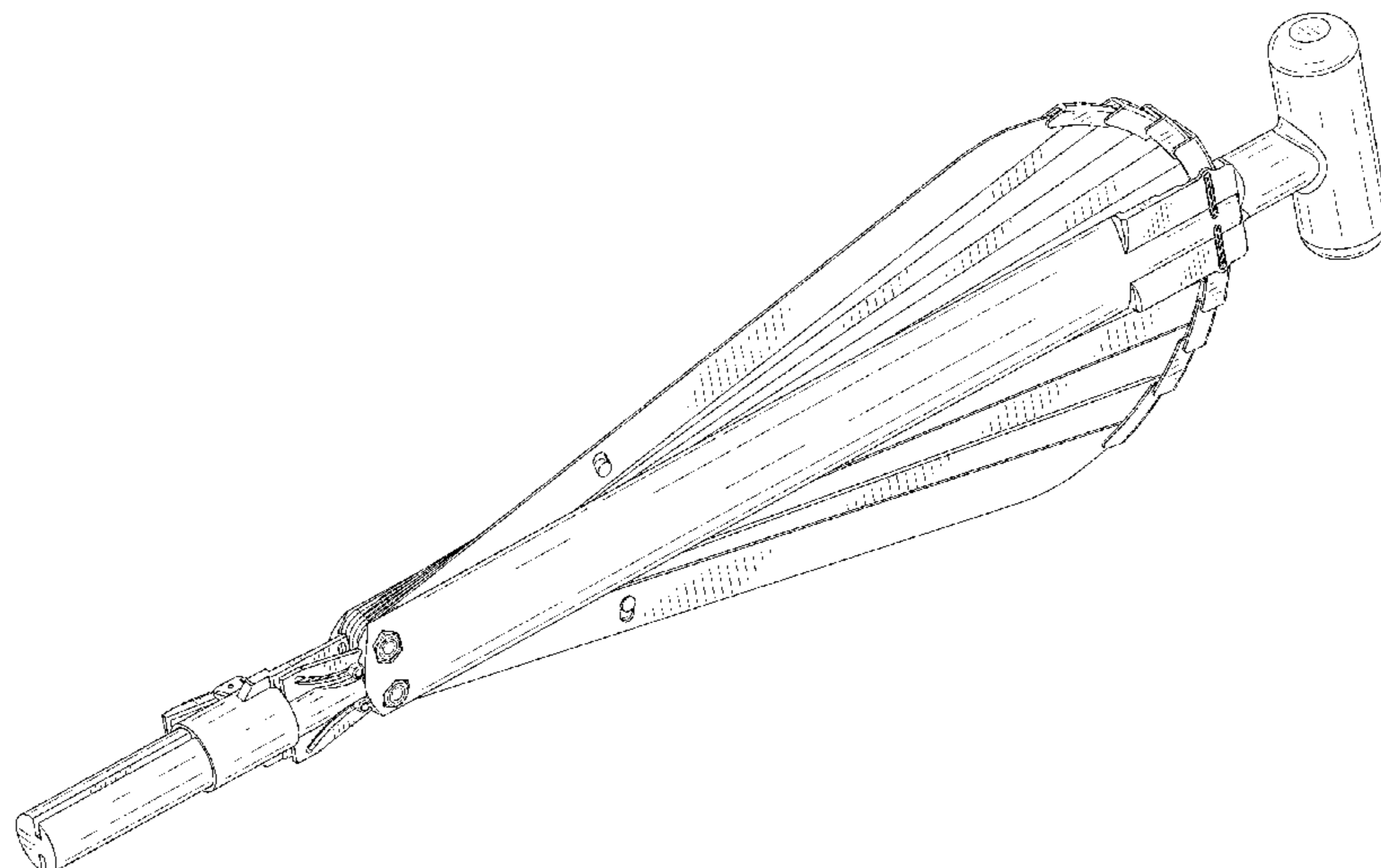
FIG. 16 is a front view of the convertible paddle blade in collapsed form;

FIG. 17 is a back view of the convertible paddle blade in collapsed form; and,

FIG. 18 is a front perspective view of the convertible paddle blade of the subject invention in use in collapsed form, shown from above.

The broken lines shown in FIGS. 9 and 18 are directed to environment and form no part of the claimed design.

1 Claim, 12 Drawing Sheets



(58) **Field of Classification Search**
 CPC B63H 16/04; B63H 2016/046
 See application file for complete search history.

(56) **References Cited**

U.S. PATENT DOCUMENTS

D213,472 S * 3/1969 Castloo D12/215
 D244,680 S * 6/1977 Leidigh D12/215
 D260,254 S * 8/1981 Heller D12/215
 4,303,402 A * 12/1981 Gooding B63H 16/04
 416/74
 4,622,017 A * 11/1986 McGraw B63H 16/04
 416/74
 D335,274 S * 5/1993 Beckerer, Jr. D12/215
 D343,608 S * 1/1994 Nazara D12/215
 5,322,462 A * 6/1994 Hull B63H 16/04
 114/221 R
 D362,834 S * 10/1995 Stout D12/215
 D370,657 S * 6/1996 Block, Jr. D12/317
 5,902,162 A * 5/1999 Kot B63H 16/04
 114/221 R

6,022,255 A * 2/2000 Lukanovich B63H 16/04
 440/101
 D460,399 S * 7/2002 Peng D12/215
 D656,880 S * 4/2012 Strangfeld D12/215
 8,167,669 B1 * 5/2012 Xie B63H 16/04
 440/102
 D693,285 S * 11/2013 Hall D12/215
 8,632,371 B1 1/2014 Ramsey
 8,926,384 B1 * 1/2015 Alphin B63H 16/04
 440/101
 D739,804 S * 9/2015 Schweiger D12/215
 D772,135 S * 11/2016 Strangfeld D12/215
 D804,392 S * 12/2017 Harvell D12/215
 D818,930 S * 5/2018 Bell D12/215
 10,737,143 B1 8/2020 Raman
 10,843,779 B2 11/2020 Roger
 2011/0027101 A1 2/2011 Hartman
 2013/0230398 A1 * 9/2013 Hall B63B 32/40
 416/63
 2014/0111978 A1 * 4/2014 Laurence F21V 31/005
 362/109

* cited by examiner

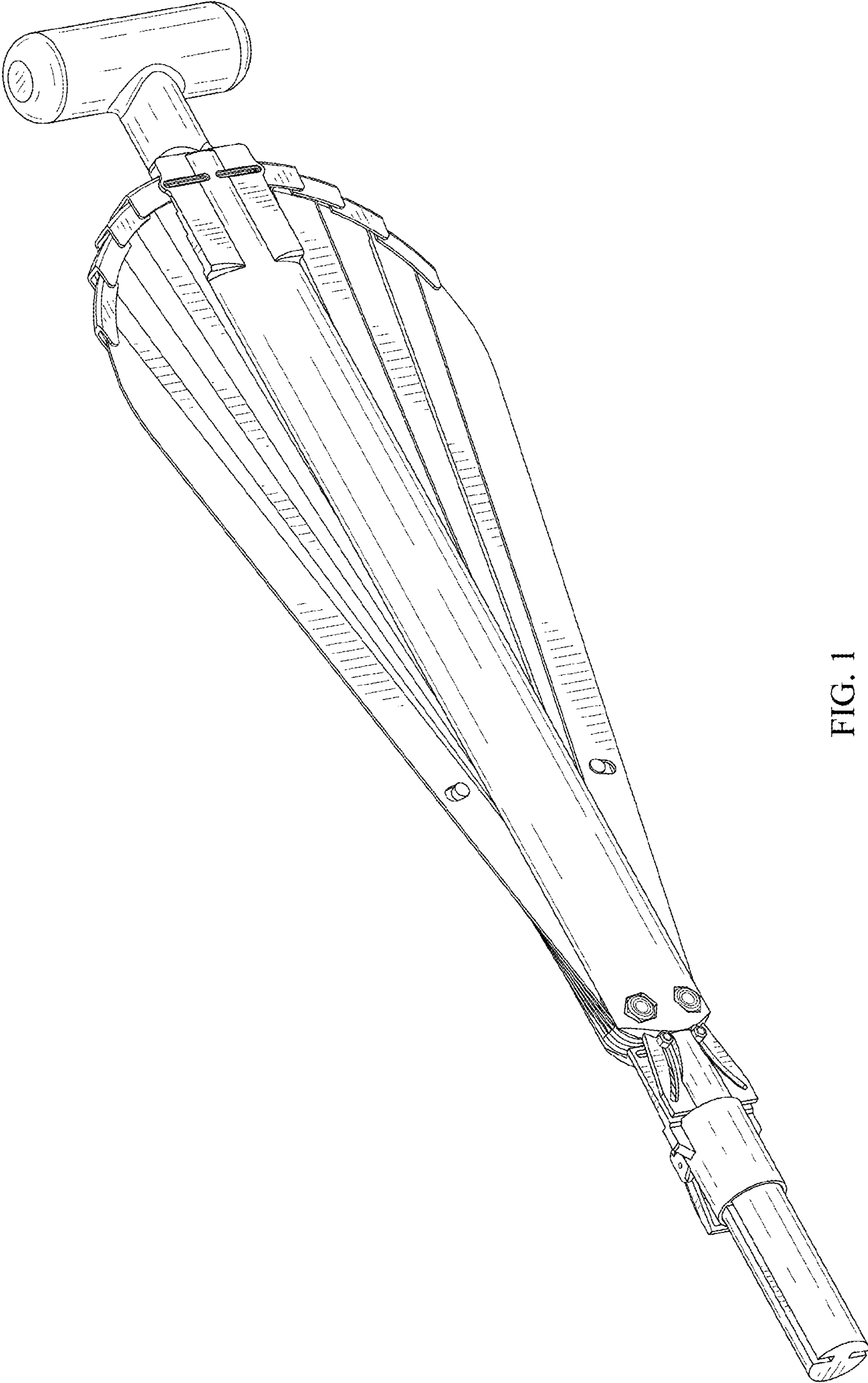


FIG. 1

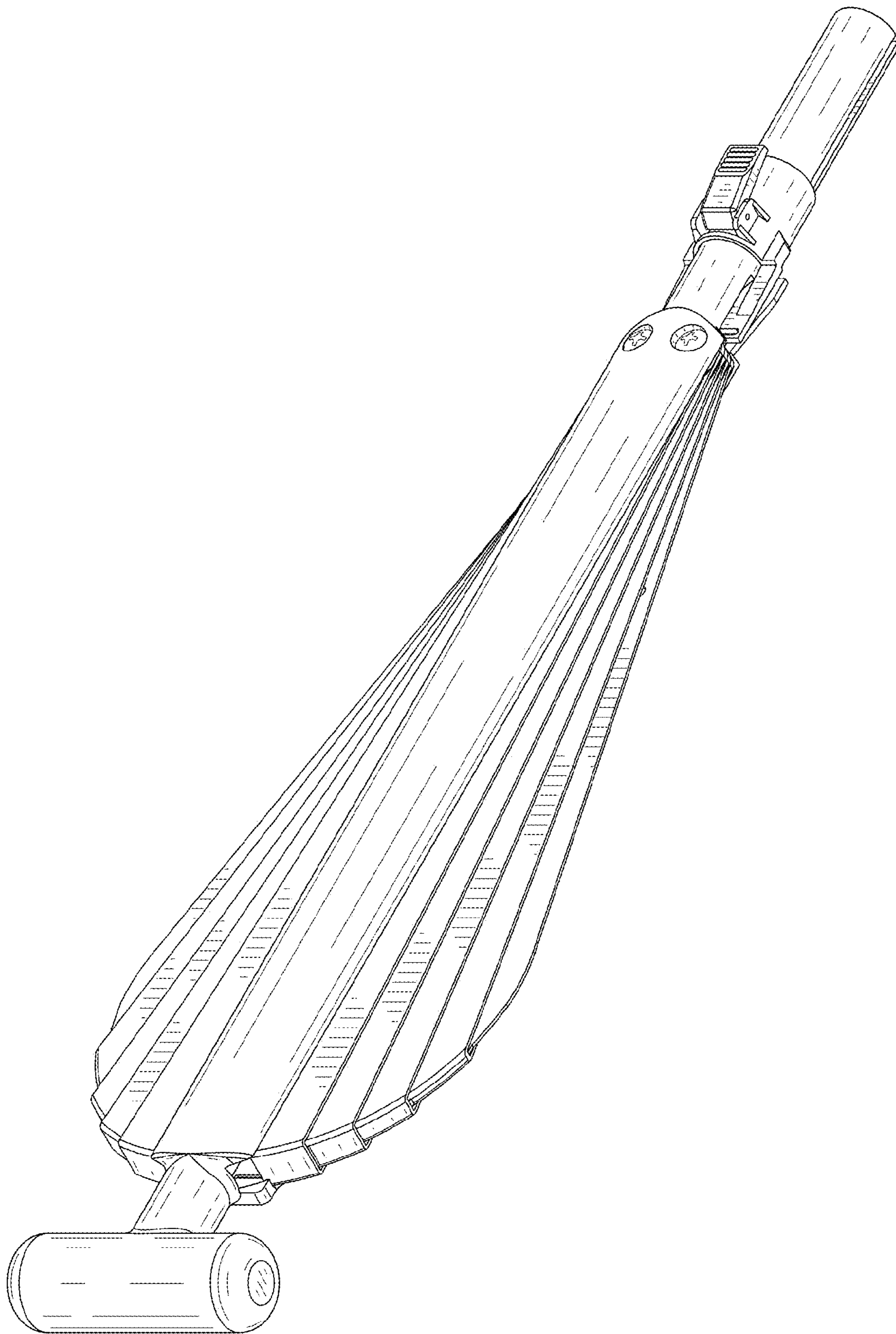


FIG. 2

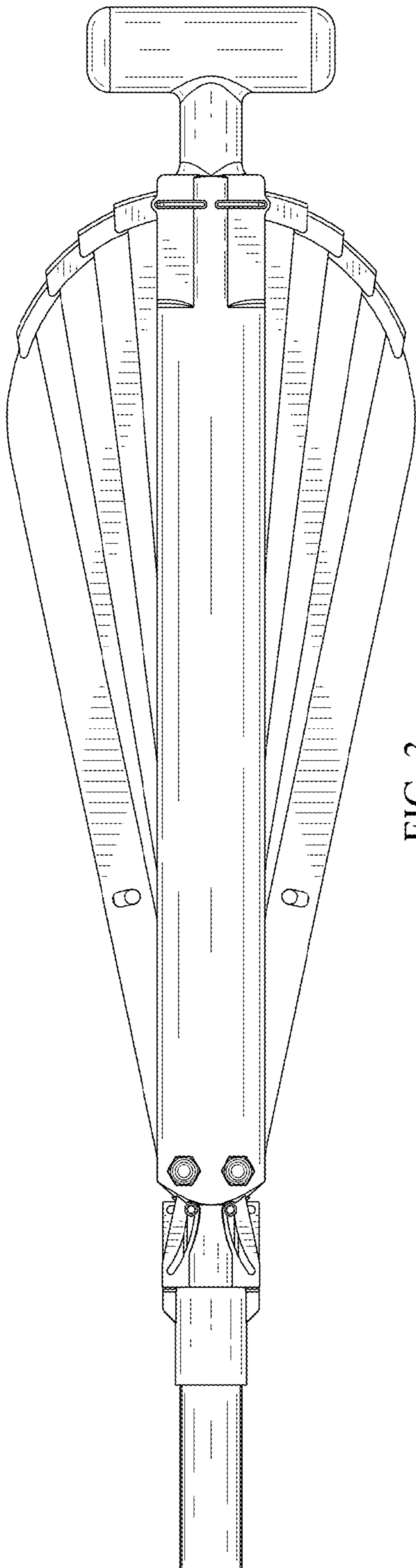


FIG. 3

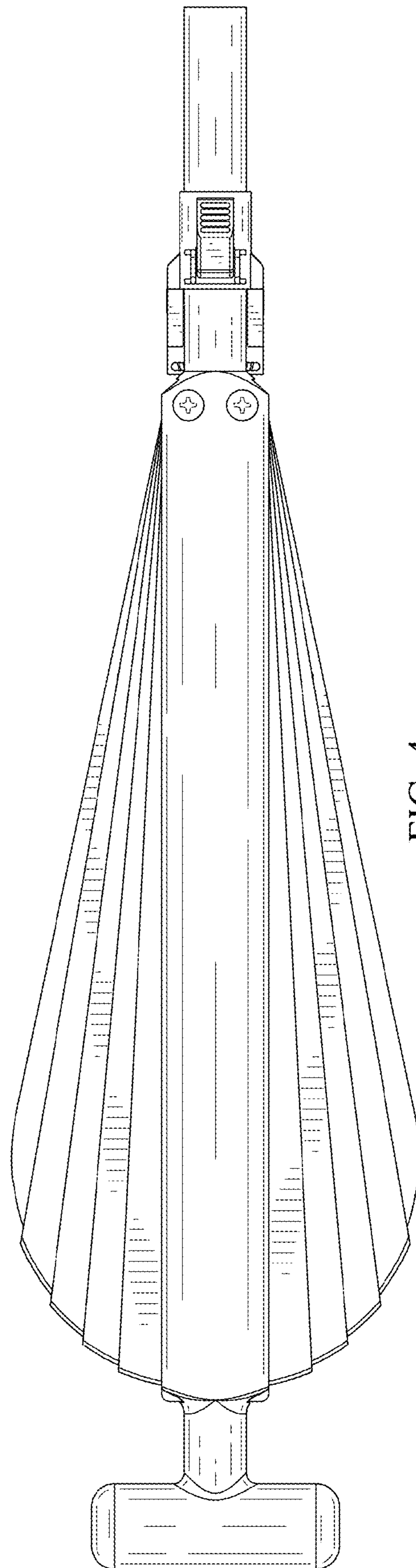


FIG. 4

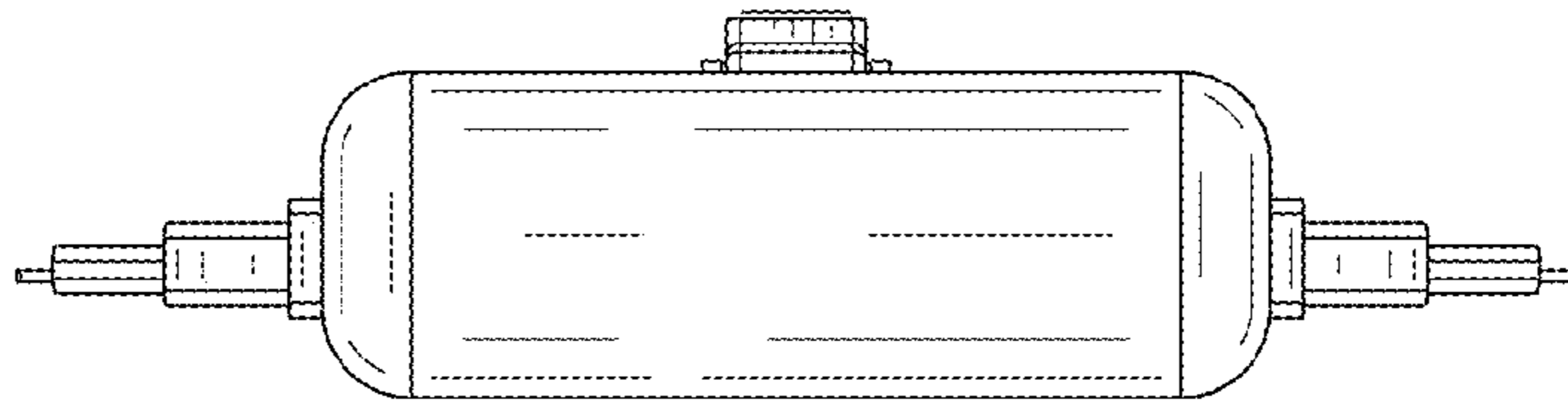


FIG. 6

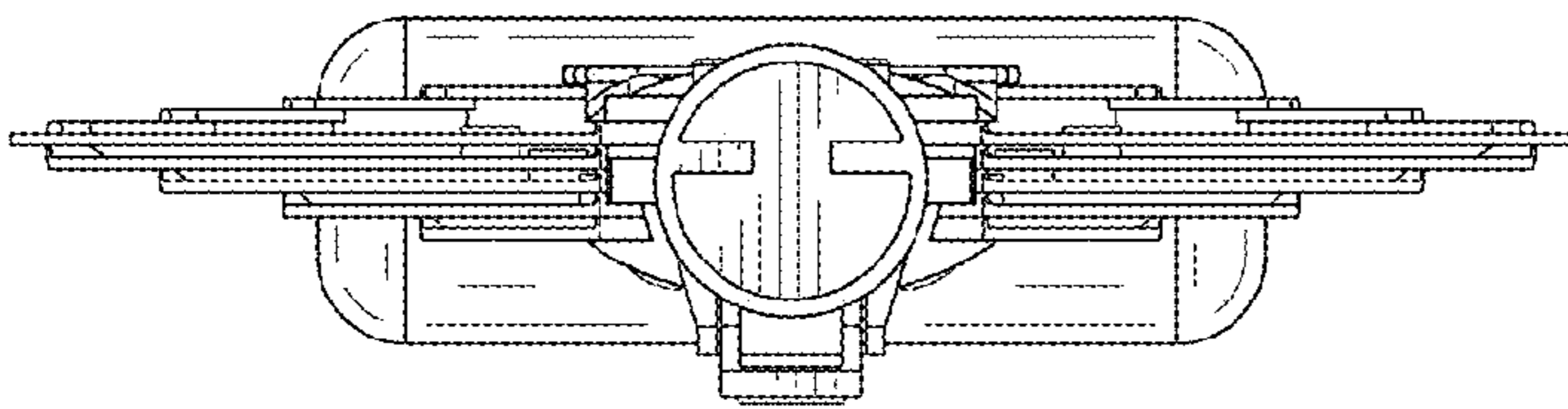


FIG. 5

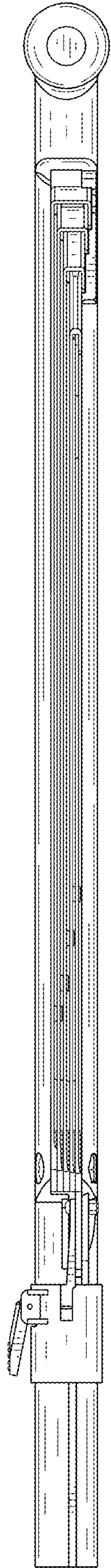


FIG. 7

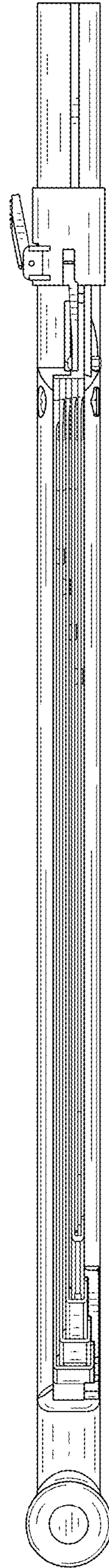


FIG. 8

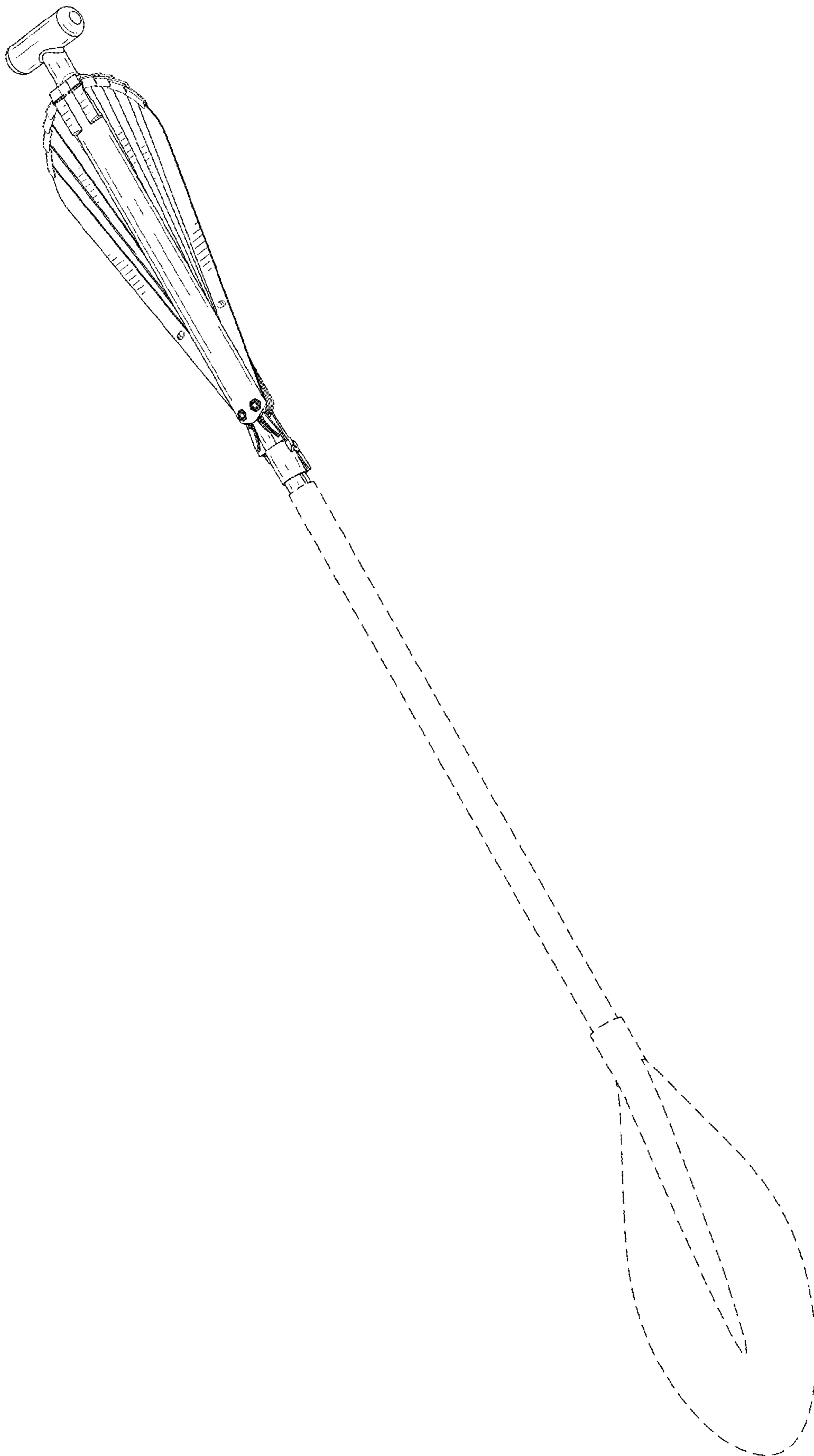


FIG. 9

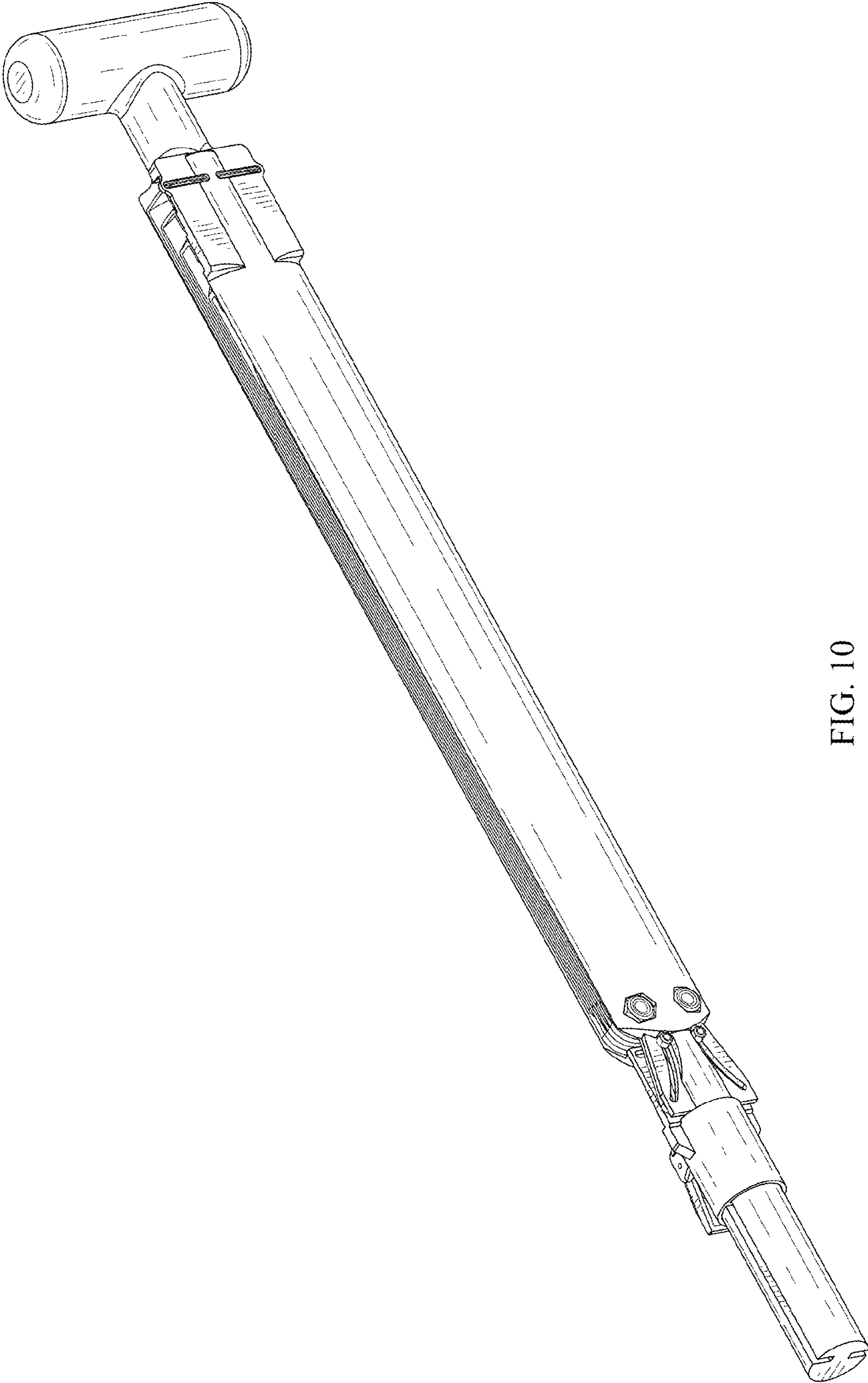


FIG. 10

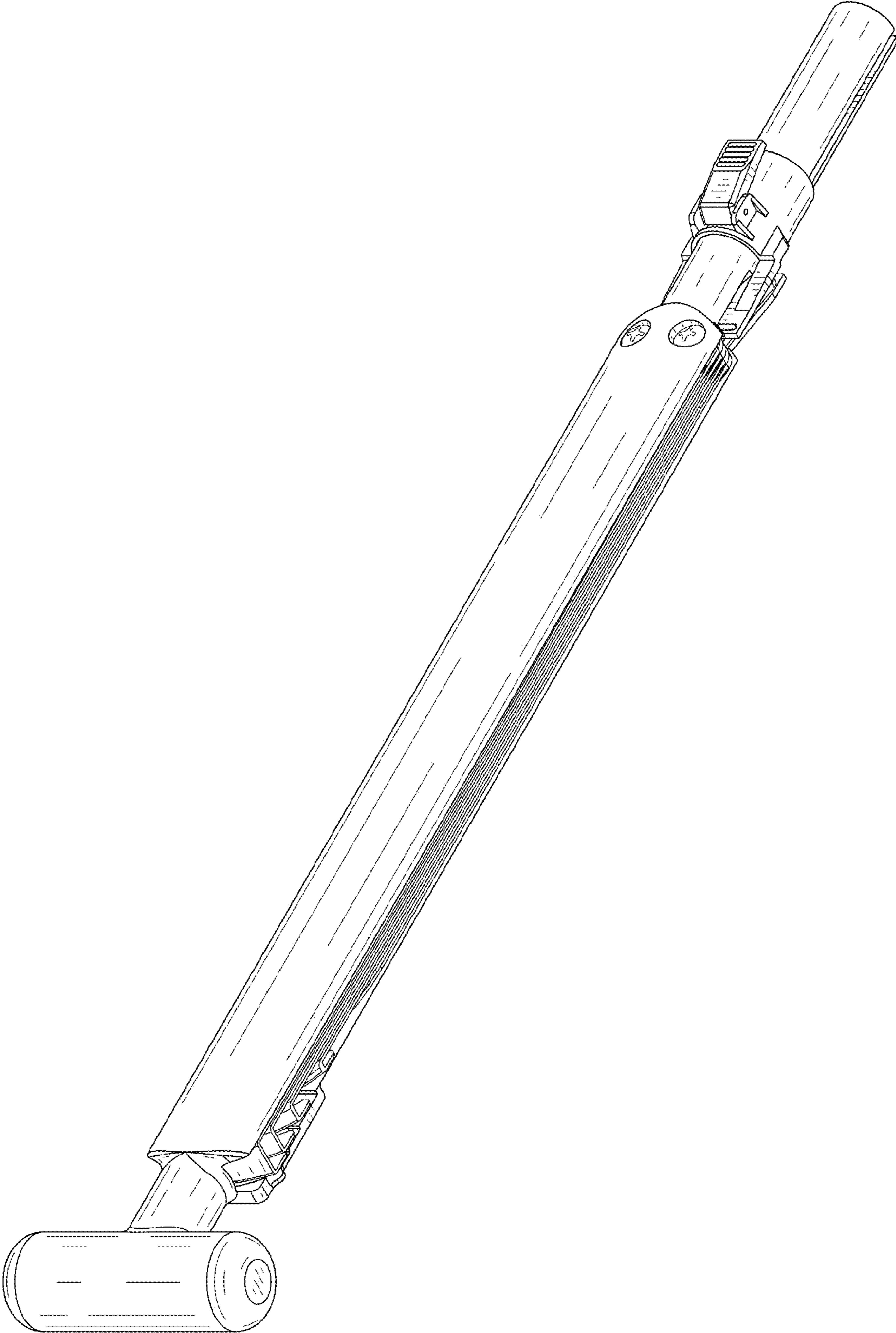


FIG. 11

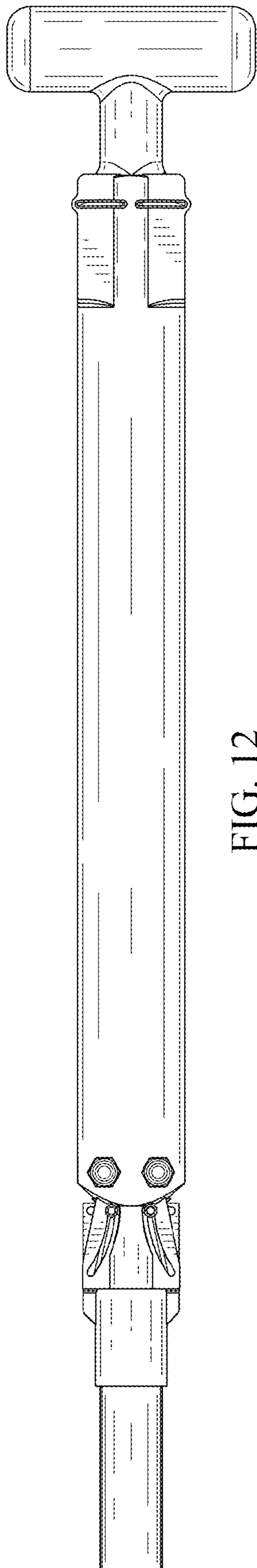


FIG. 12

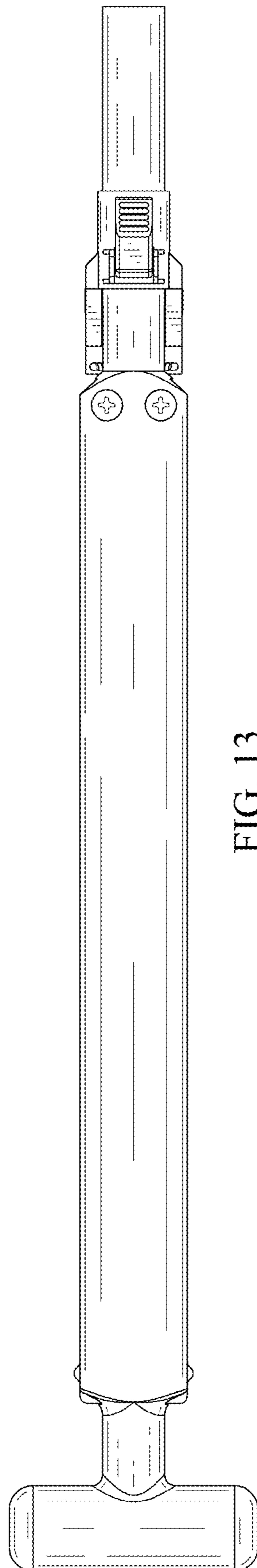


FIG. 13

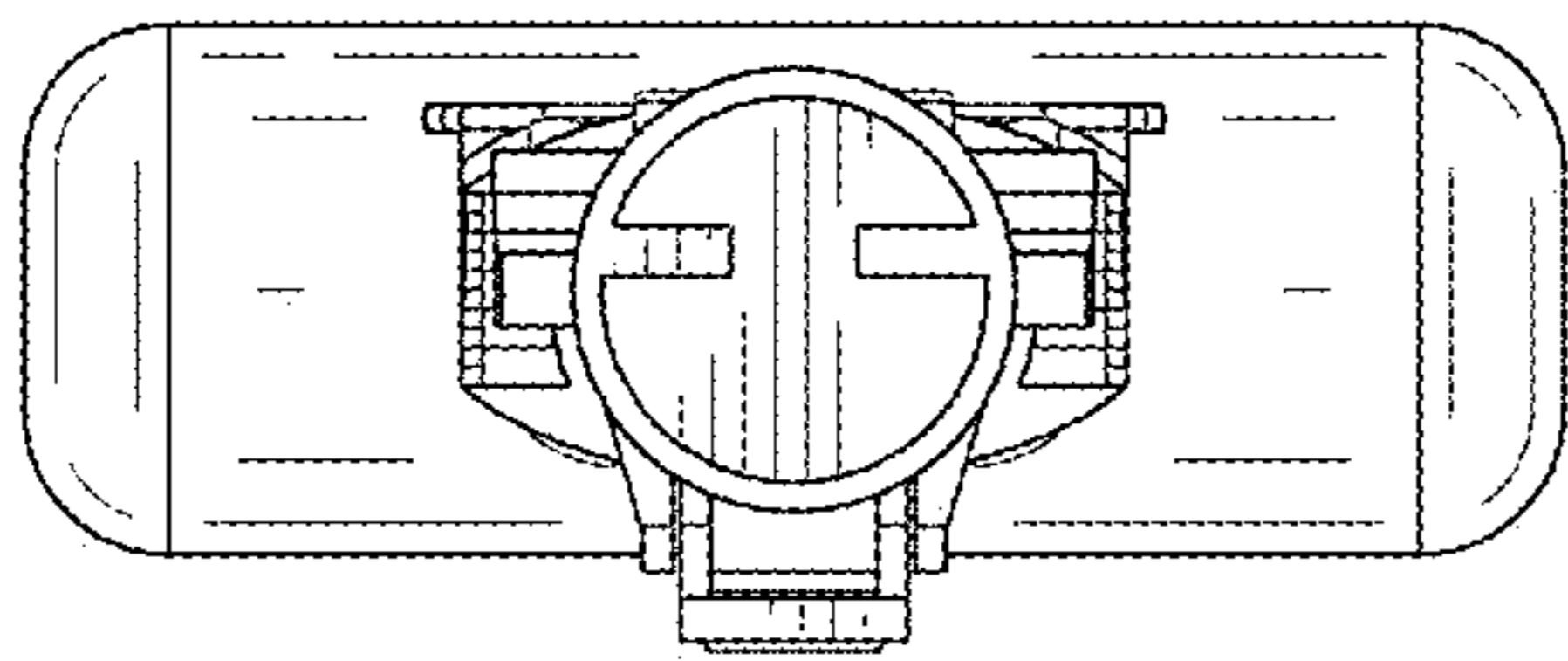


FIG. 14

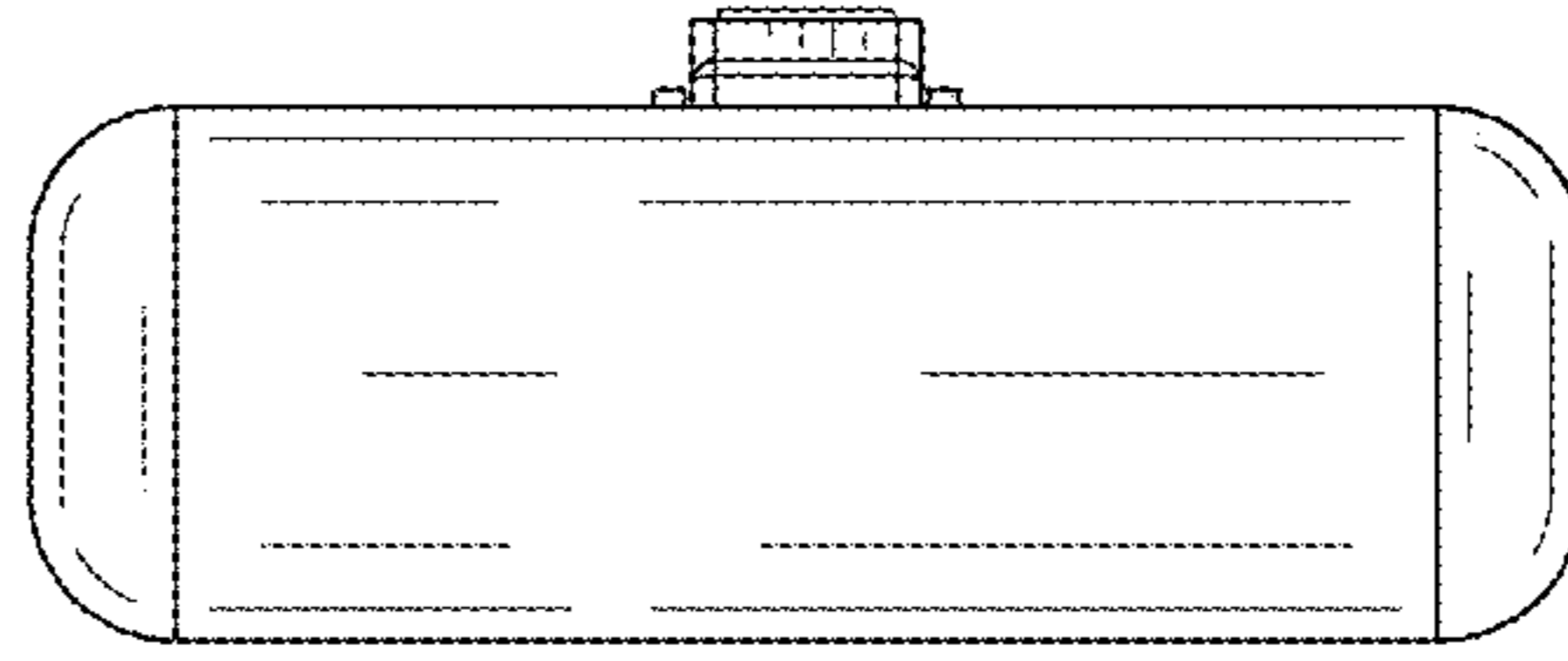


FIG. 15

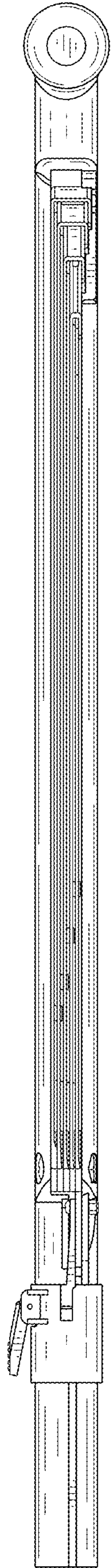


FIG. 16

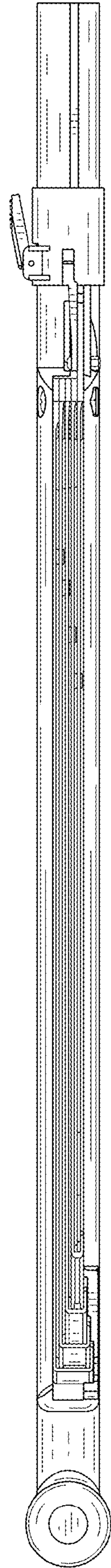


FIG. 17

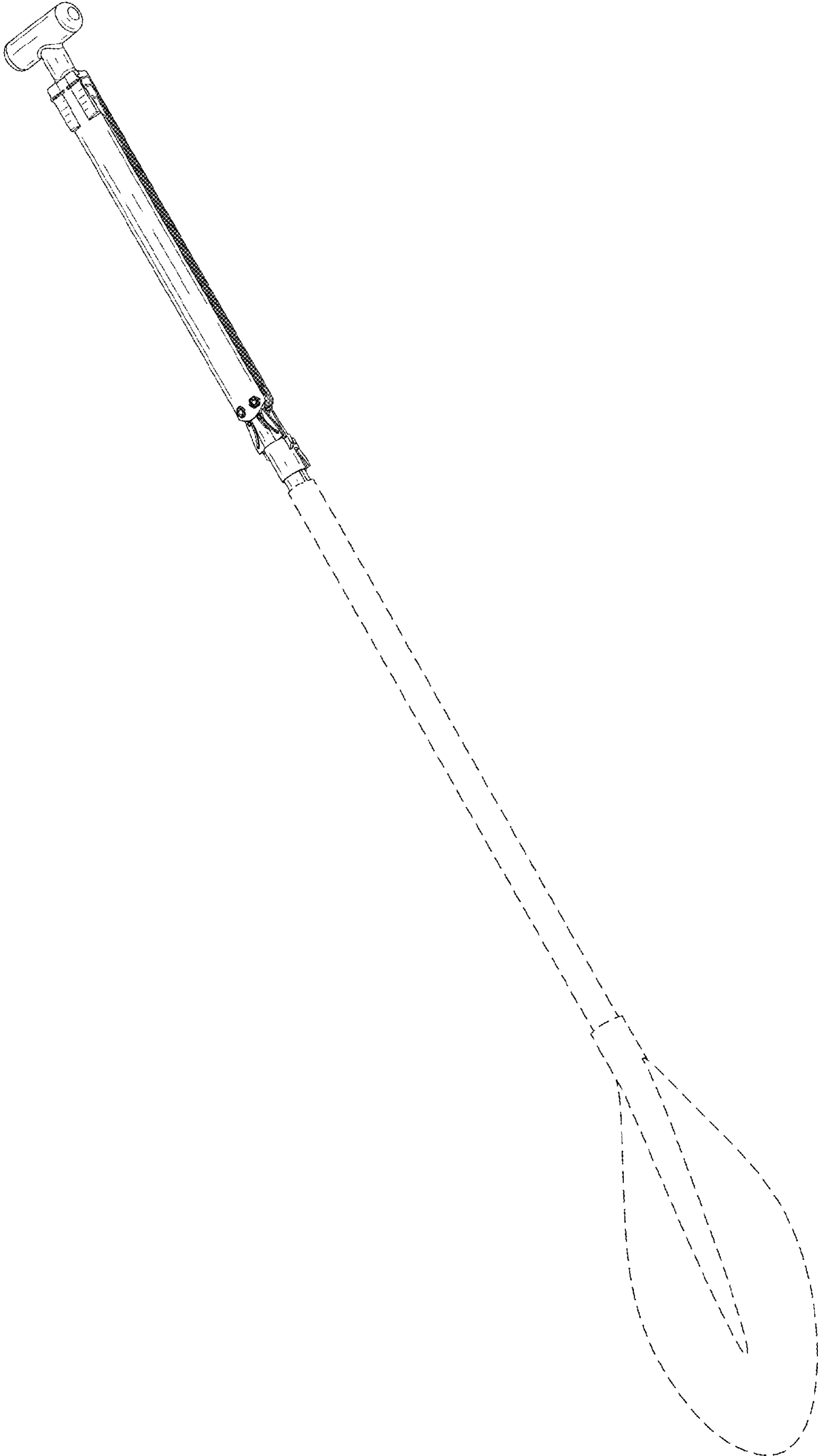


FIG. 18