



US00D973007S

(12) **United States Design Patent**  
**Sharp et al.**

(10) **Patent No.:** **US D973,007 S**

(45) **Date of Patent:** **\*\* Dec. 20, 2022**

(54) **WHEEL HUBCAP**

(71) Applicant: **Harbor Freight Tools USA, Inc.**,  
Calabasas, CA (US)

(72) Inventors: **William Thomas Sharp**, Camarillo,  
CA (US); **Thomas Joseph Barcanic**,  
Oxnard, CA (US)

(73) Assignee: **Harbor Freight Tools USA, Inc.**,  
Calabasas, CA (US)

(\*\*) Term: **15 Years**

(21) Appl. No.: **29/703,033**

(22) Filed: **Aug. 23, 2019**

(51) **LOC (13) Cl.** ..... **12-16**

(52) **U.S. Cl.**  
USPC ..... **D12/213**

(58) **Field of Classification Search**  
USPC ..... D8/349, 402; D12/114, 115, 204–213,  
D12/217, 223; D21/563  
CPC .... B60B 3/02; B60B 3/10; B60B 1/08; B60B  
2900/311; B60B 3/06; B60B 1/06; B60B  
1/14; B60B 3/041; B60B 7/02; B60B  
1/00; B60B 1/10

See application file for complete search history.

(56) **References Cited**

**U.S. PATENT DOCUMENTS**

|              |         |           |       |         |
|--------------|---------|-----------|-------|---------|
| D584,673 S * | 1/2009  | Chung     | ..... | D12/209 |
| D652,362 S * | 1/2012  | Lucaora   | ..... | D12/209 |
| D686,961 S * | 7/2013  | Chung     | ..... | D12/209 |
| D714,202 S * | 9/2014  | Kim       | ..... | D12/209 |
| D718,203 S * | 11/2014 | Whyte     | ..... | D12/209 |
| D726,621 S * | 4/2015  | Alfonso   | ..... | D12/209 |
| D756,876 S * | 5/2016  | Rueckheim | ..... | D12/209 |
| D767,465 S * | 9/2016  | Liffick   | ..... | D12/209 |
| D787,412 S * | 5/2017  | Alfonso   | ..... | D12/211 |
| D798,211 S * | 9/2017  | Chung     | ..... | D12/209 |

|              |         |             |       |         |
|--------------|---------|-------------|-------|---------|
| D830,274 S * | 10/2018 | Aslam       | ..... | D12/213 |
| D842,204 S * | 3/2019  | Khachatryan | ..... | D12/209 |
| D858,408 S * | 9/2019  | Kikuchi     | ..... | D12/209 |
| D860,100 S * | 9/2019  | Groth       | ..... | D12/209 |
| D887,939 S * | 6/2020  | Hammoud     | ..... | D12/209 |

(Continued)

*Primary Examiner* — Marissa J Cash

*Assistant Examiner* — Pravin Giri

(74) *Attorney, Agent, or Firm* — McAndrews, Held &  
Malloy, Ltd.

(57) **CLAIM**

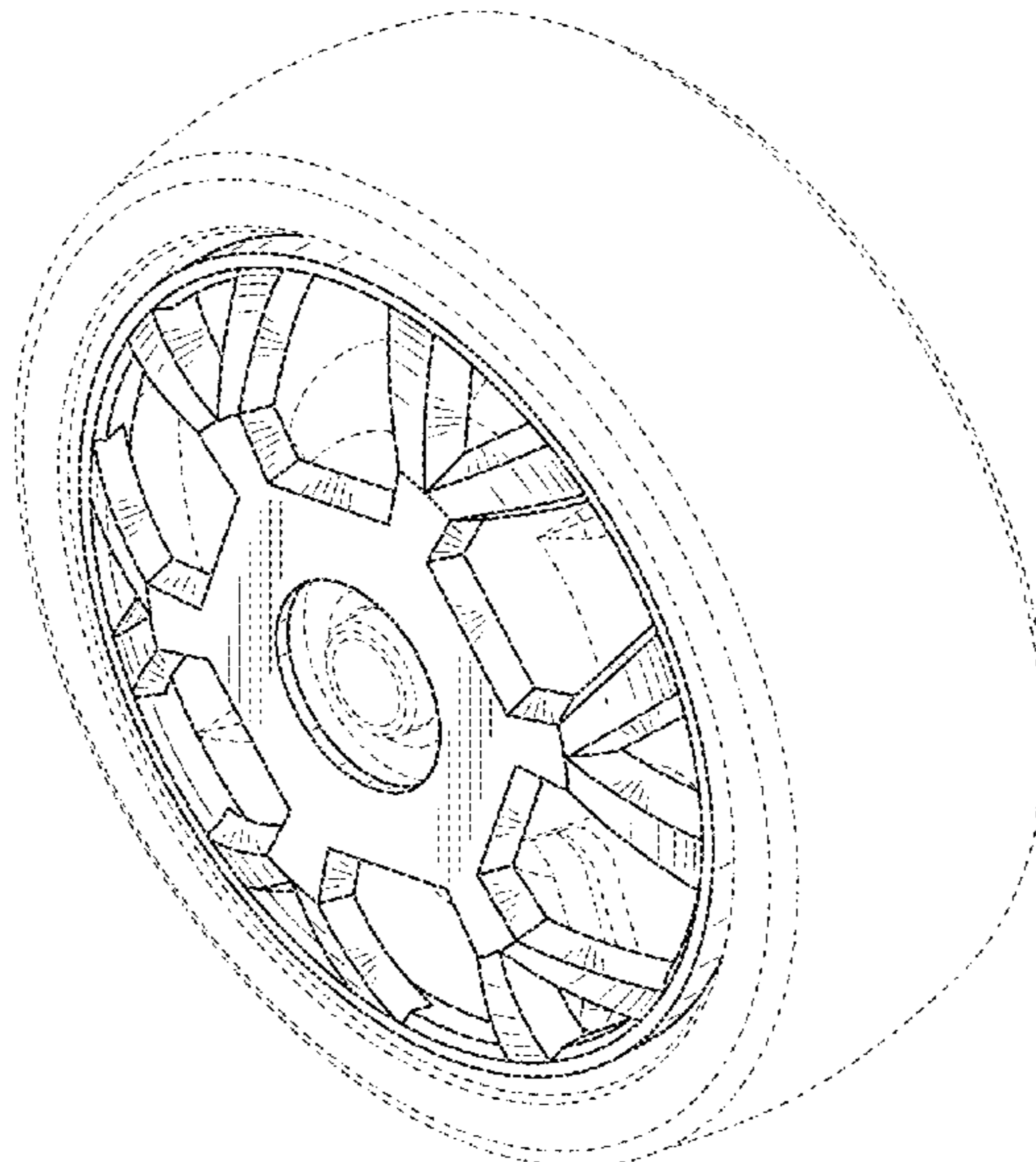
The ornamental design for a wheel hubcap, as shown and described.

**DESCRIPTION**

FIG. 1 is a top-front perspective view of a wheel hubcap showing our new design according to a first embodiment; FIG. 2 is a rear elevation view thereof; FIG. 3 is a front elevation thereof; FIG. 4 is a right side elevation view thereof; FIG. 5 is a left side elevation view thereof; FIG. 6 is a bottom plan view thereof; FIG. 7 is a top plan view thereof; FIG. 8 is a cross-sectional view taken along the line 8-8 in FIG. 3; FIG. 9 is a top-front perspective view of a wheel hubcap showing our new design according to a second embodiment; FIG. 10 is a rear elevation view thereof; FIG. 11 is a front elevation thereof; FIG. 12 is a right side elevation view thereof; FIG. 13 is a left side elevation view thereof; FIG. 14 is a bottom plan view thereof; FIG. 15 is a top plan view thereof; and, FIG. 16 is a cross-sectional view taken along the line 16-16 in FIG. 11.

The dashed broken lines in the figures illustrate portions of the wheel hubcap that form no part of the claimed design.

**1 Claim, 8 Drawing Sheets**



(56)

**References Cited**

U.S. PATENT DOCUMENTS

|          |   |   |         |        |       |         |
|----------|---|---|---------|--------|-------|---------|
| D900,699 | S | * | 11/2020 | Widua  | ..... | D12/209 |
| D906,920 | S | * | 1/2021  | Sempek | ..... | D12/209 |
| D913,891 | S | * | 3/2021  | Lee    | ..... | D12/209 |
| D922,927 | S | * | 6/2021  | Kaoud  | ..... | D12/209 |
| D937,732 | S | * | 12/2021 | Han    | ..... | D12/209 |
| D944,711 | S | * | 3/2022  | Carbis | ..... | D12/209 |

\* cited by examiner

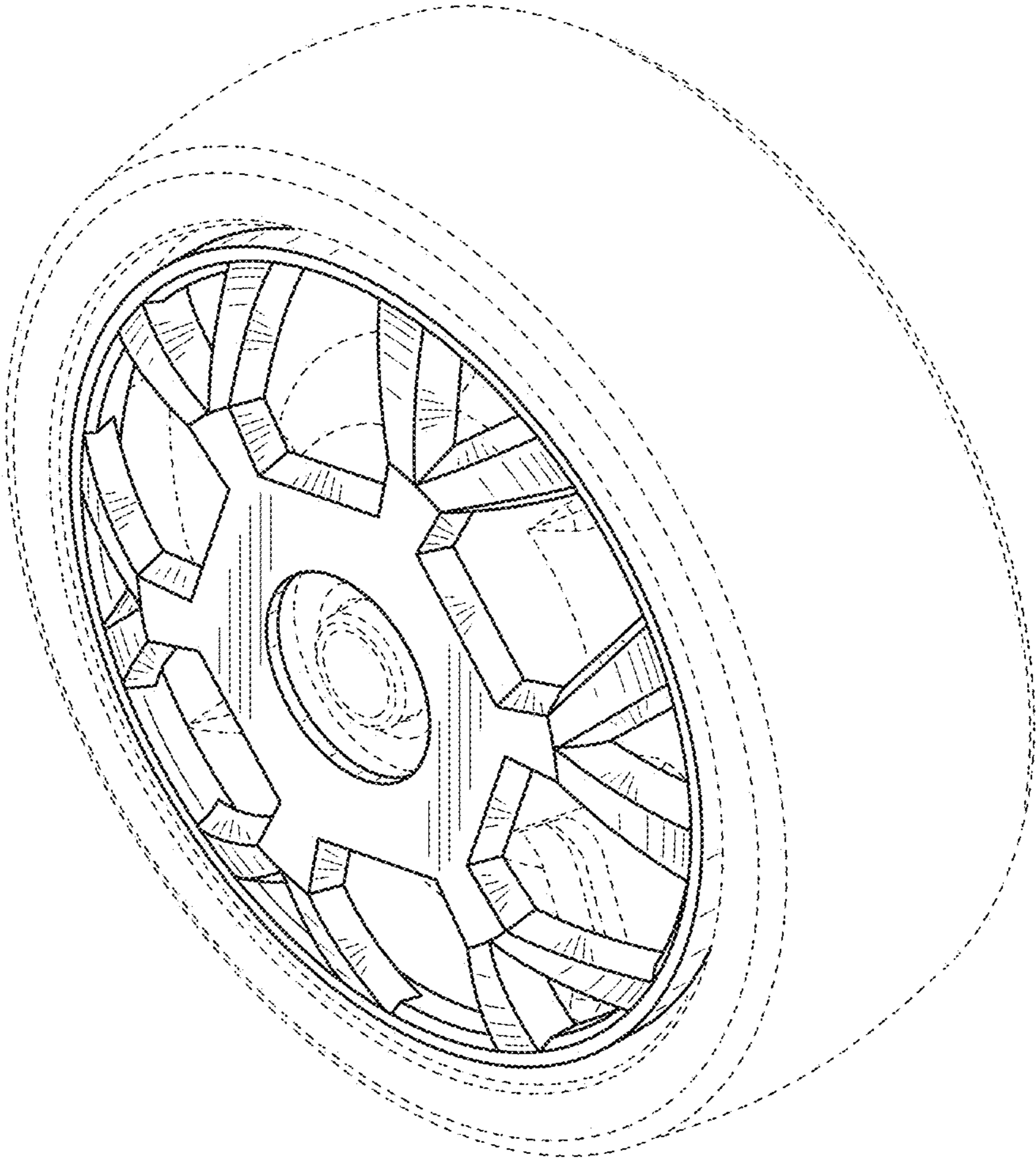


FIG. 1

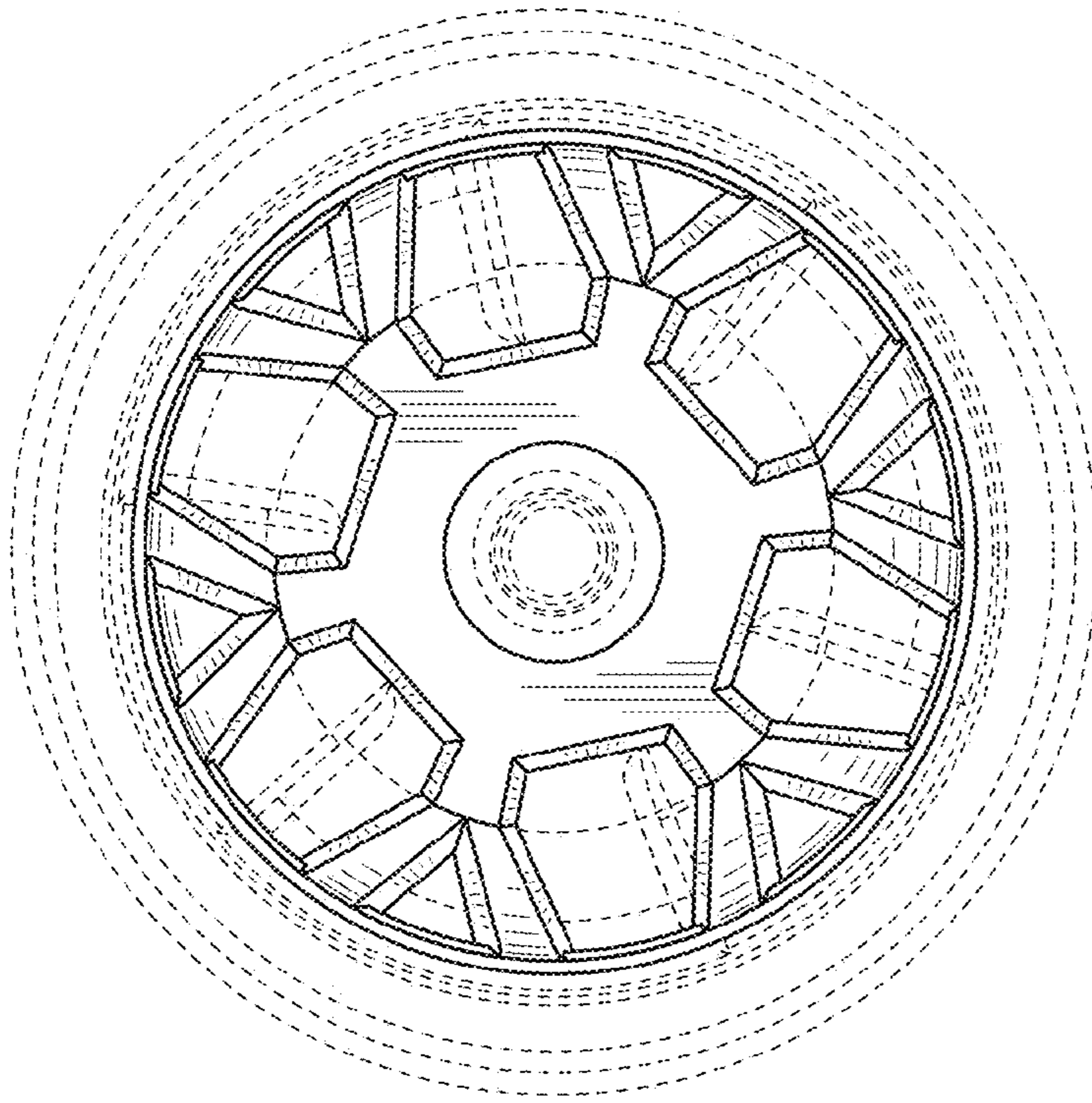
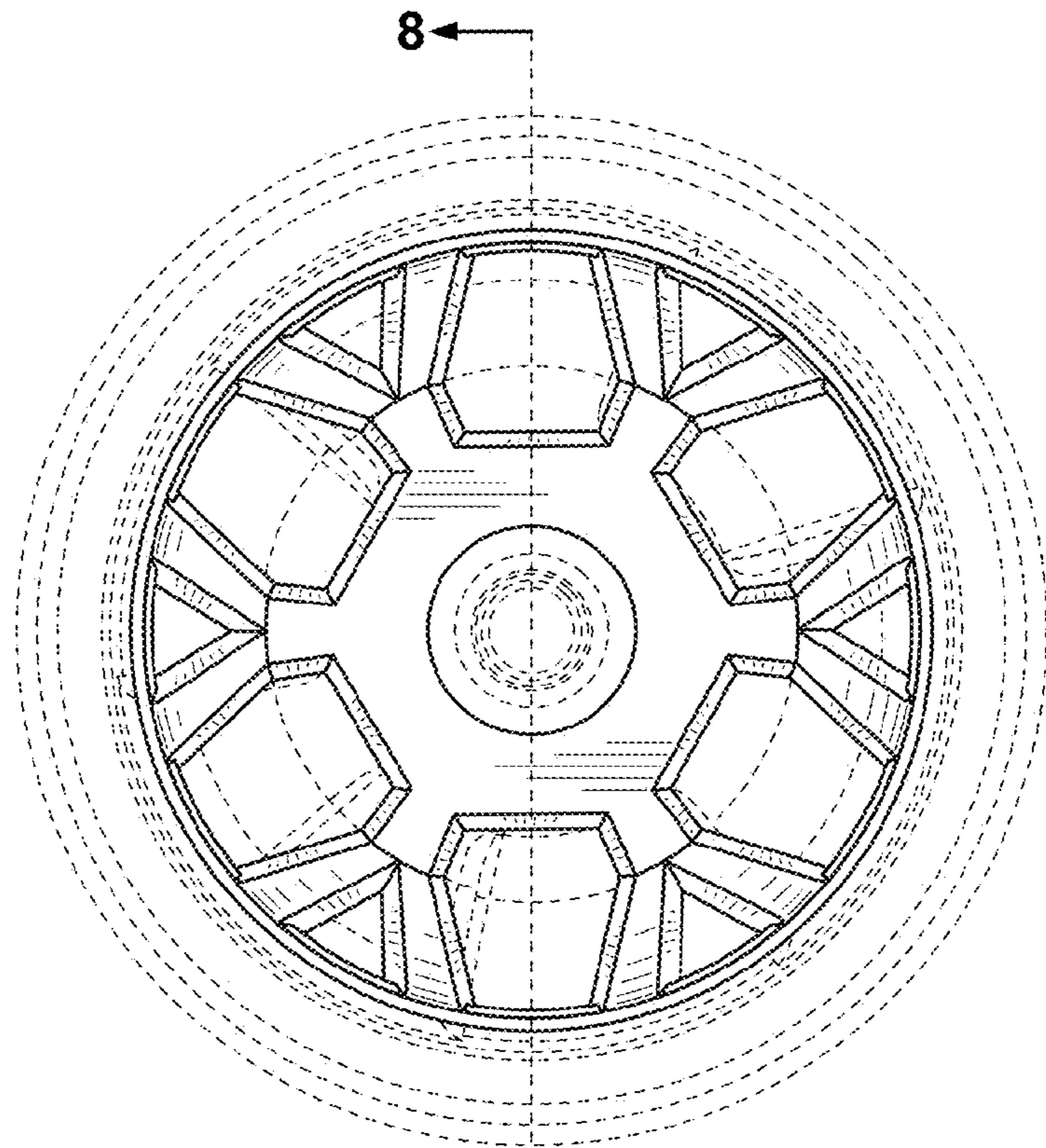


FIG. 2



8 ← FIG. 3

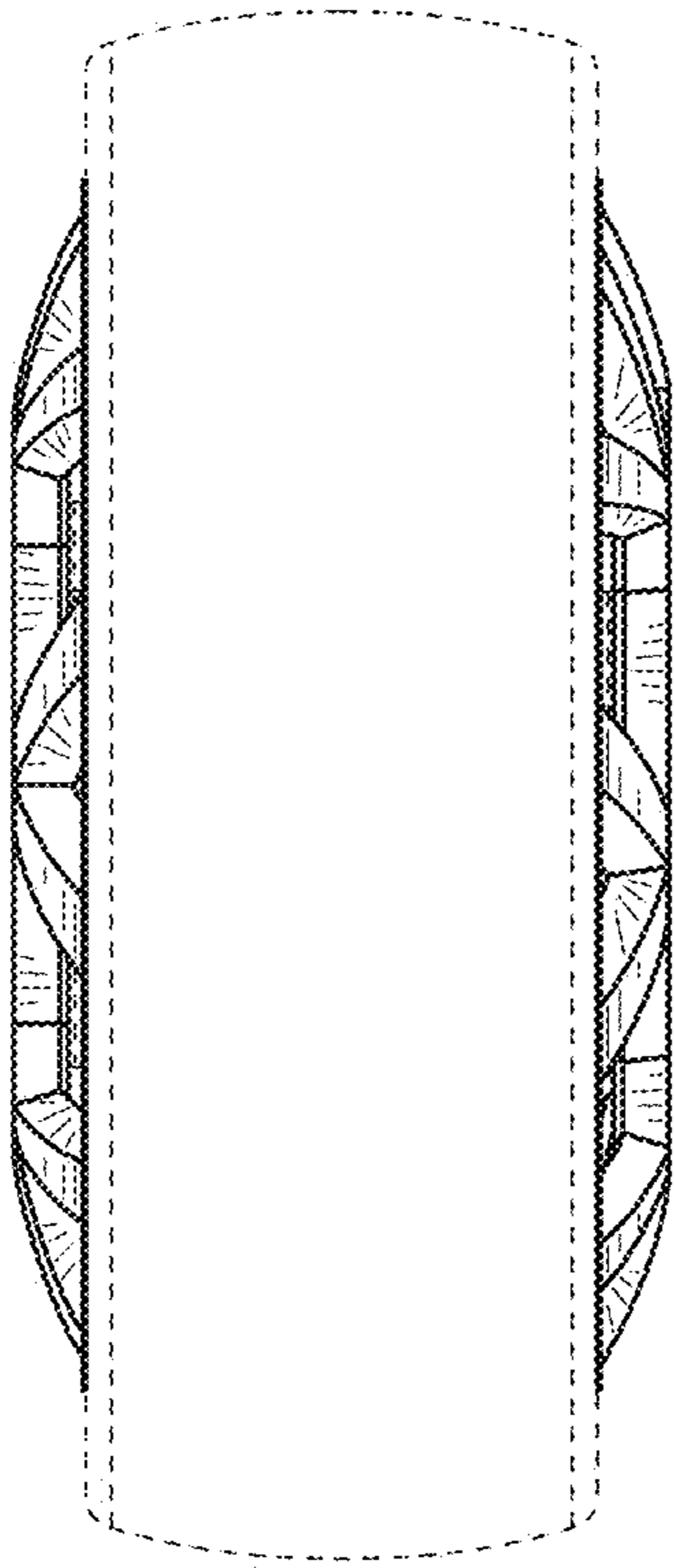


FIG. 4

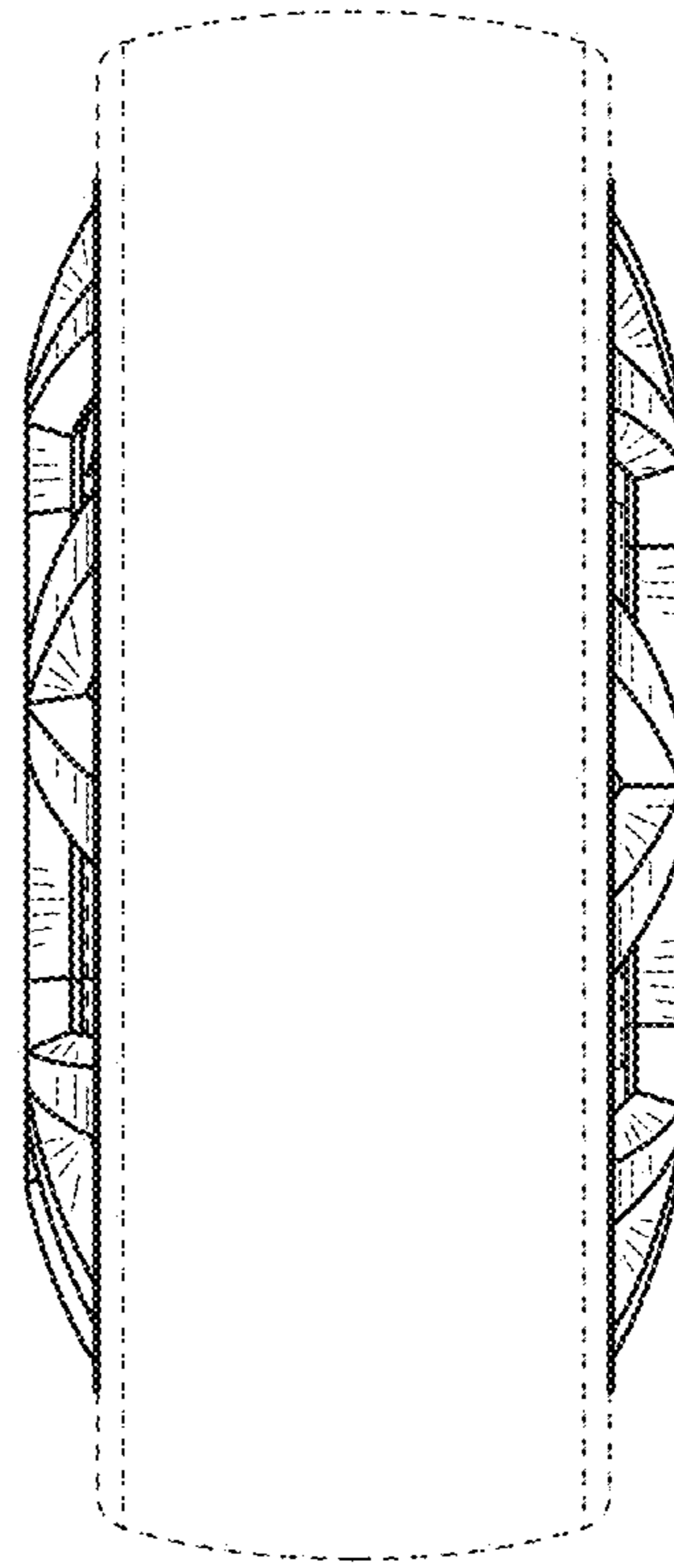


FIG. 5

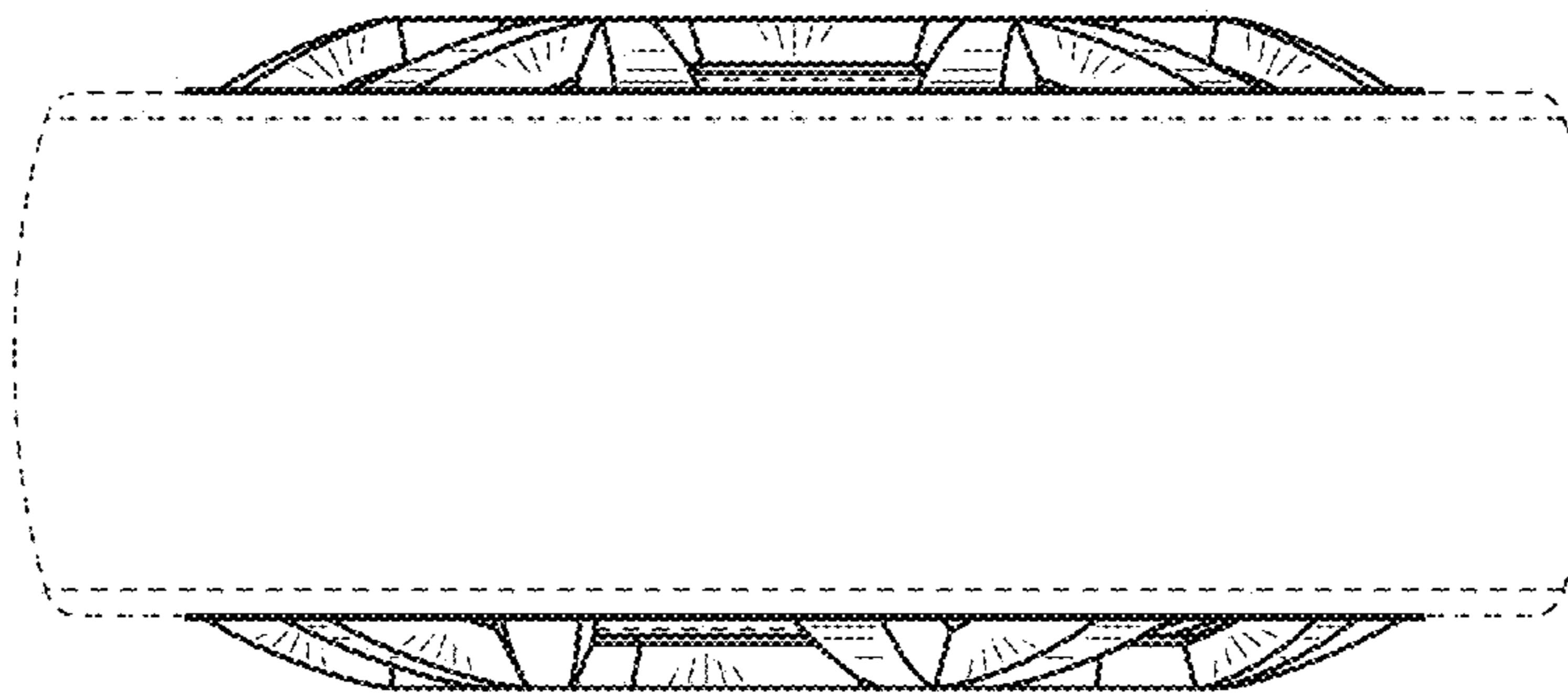


FIG. 6

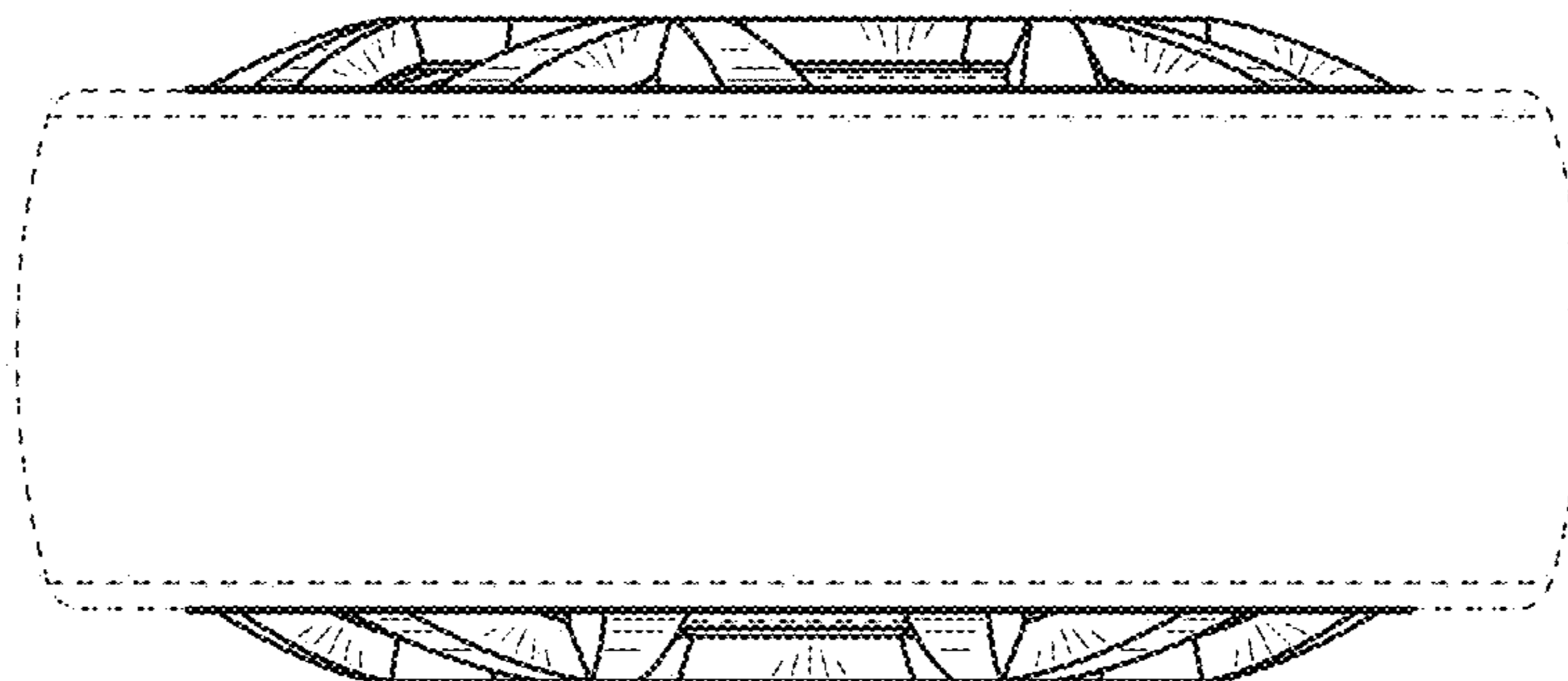


FIG. 7

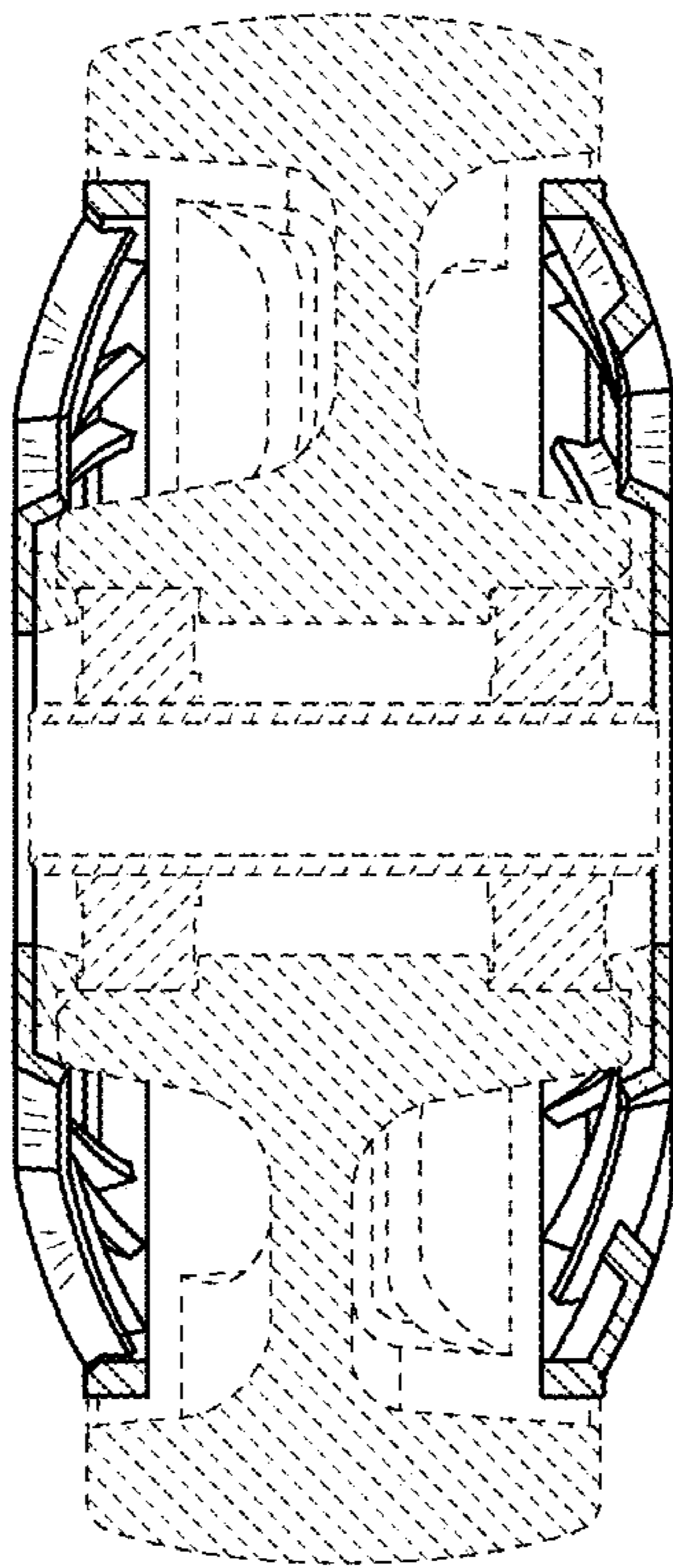


FIG. 8

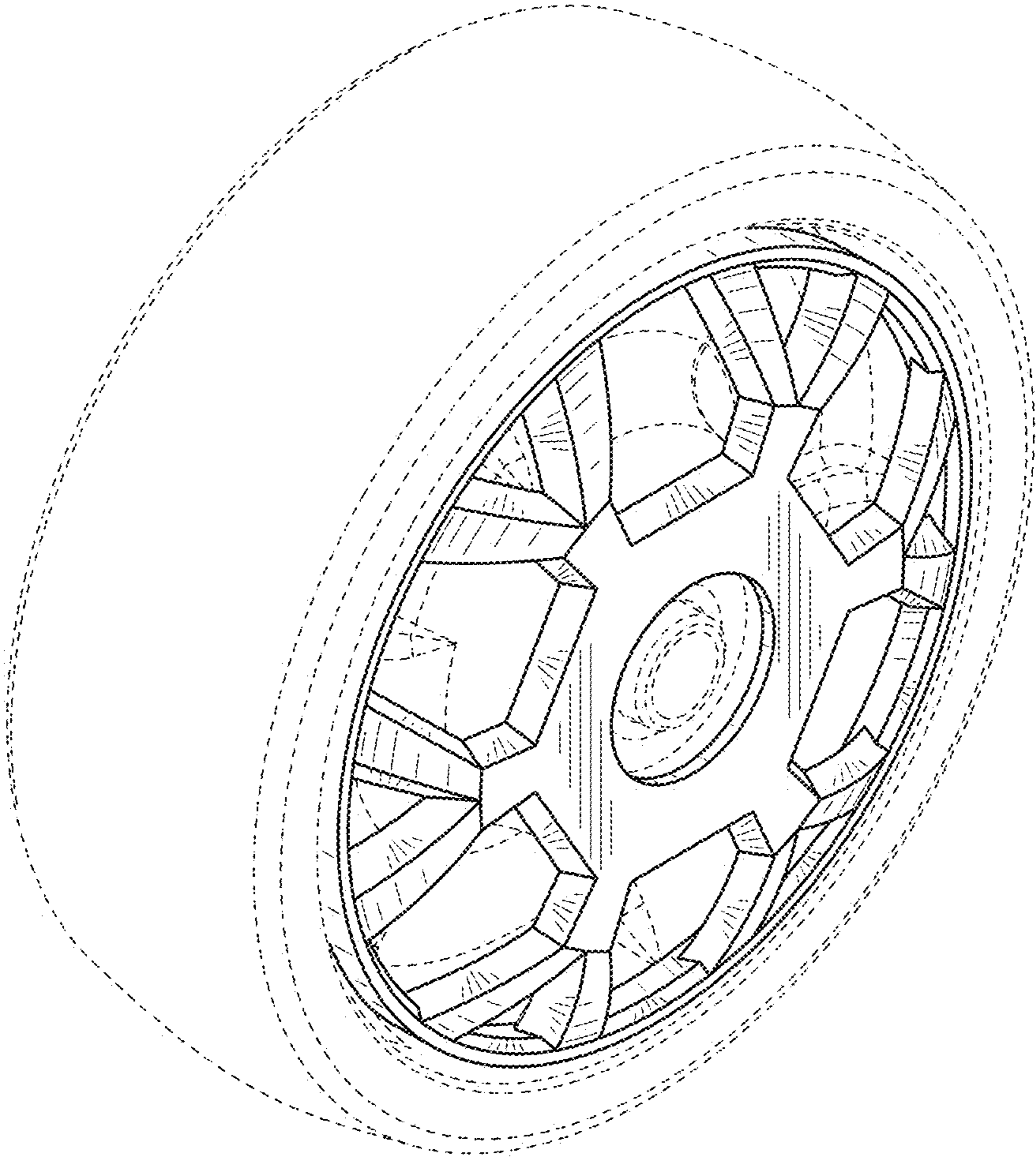


FIG. 9

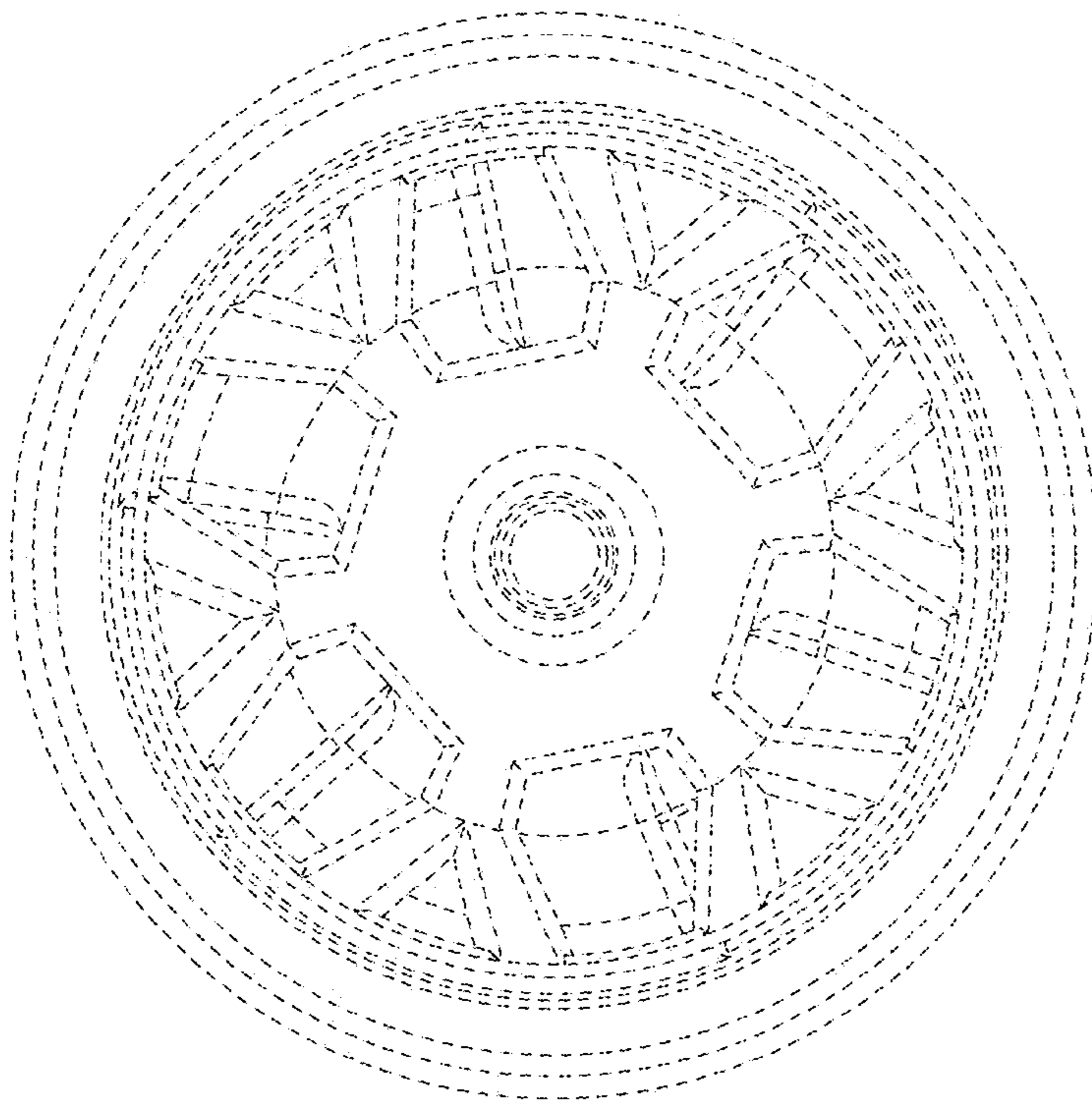
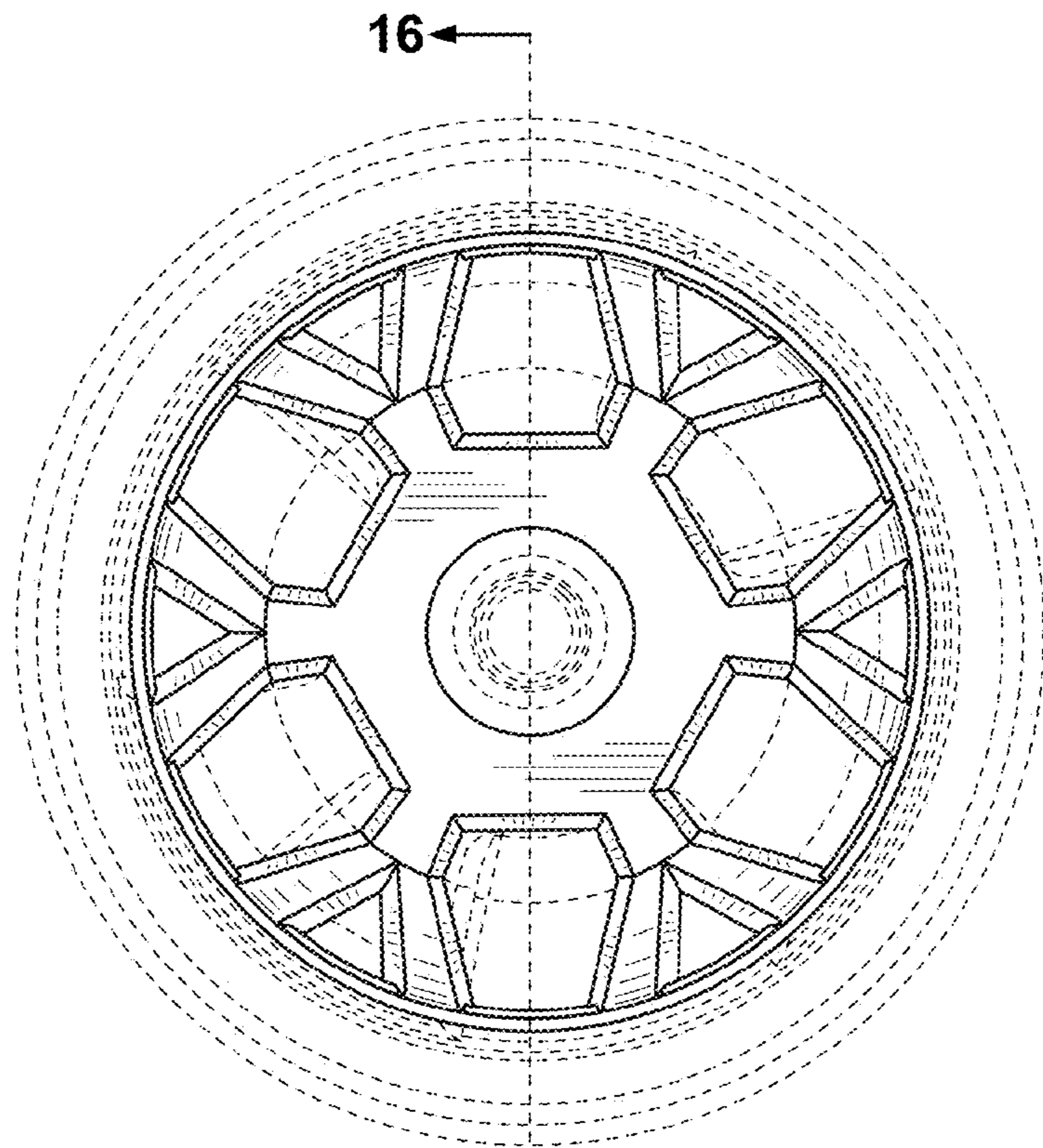


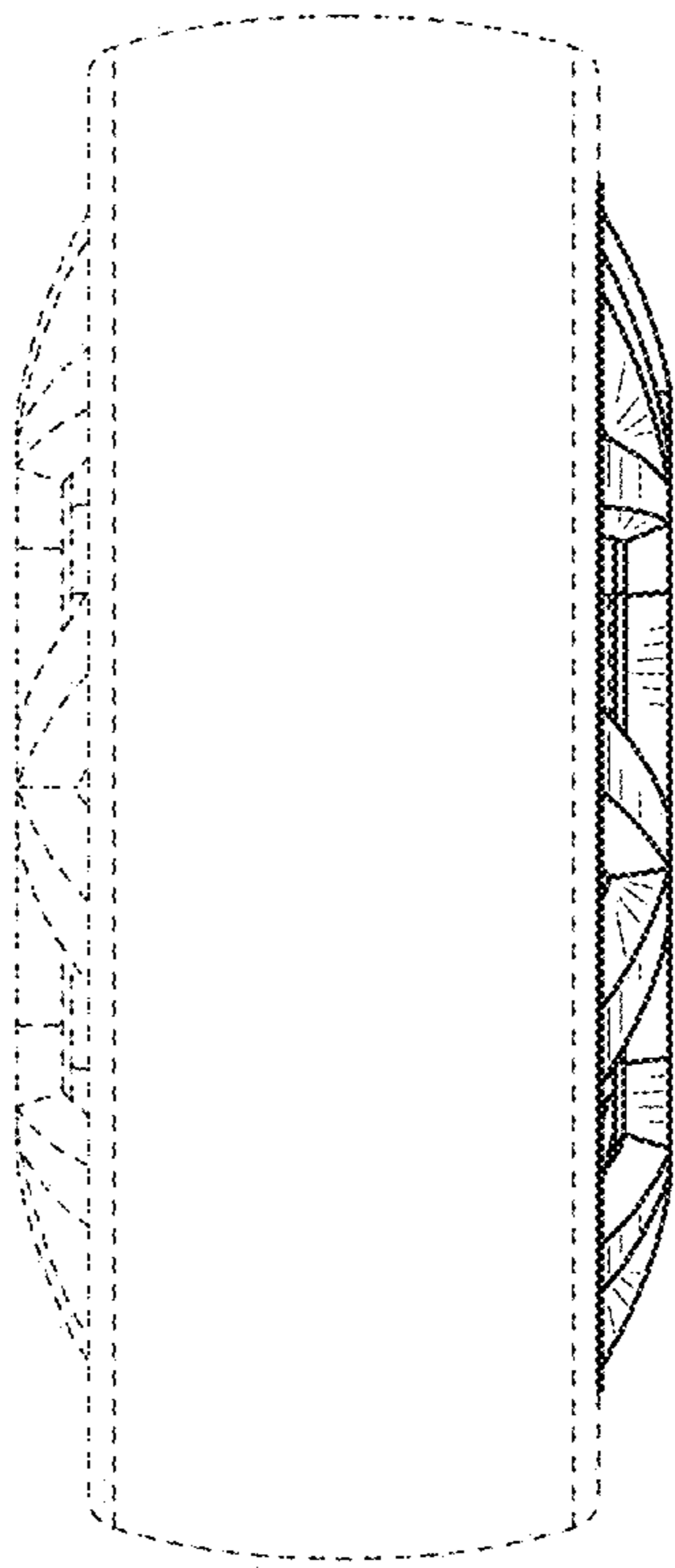
FIG. 10



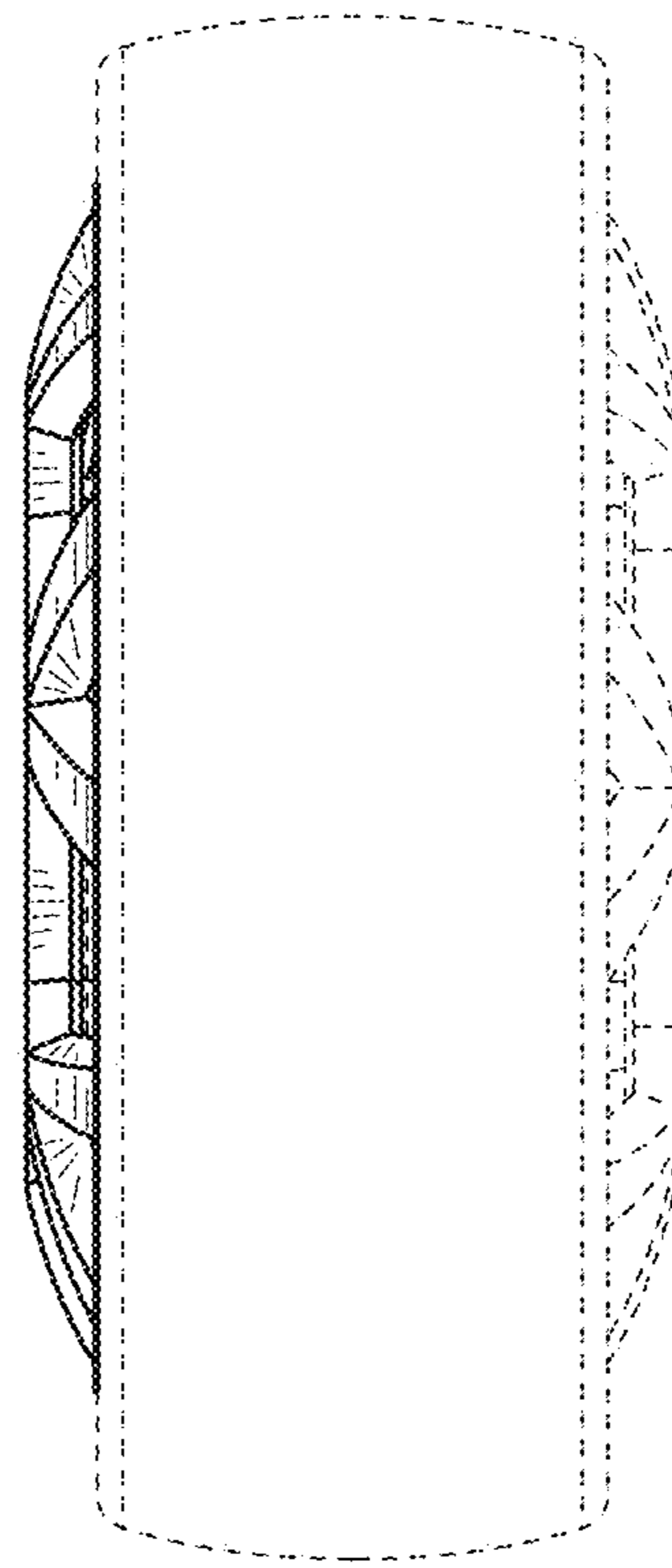
16 ←

FIG. 11

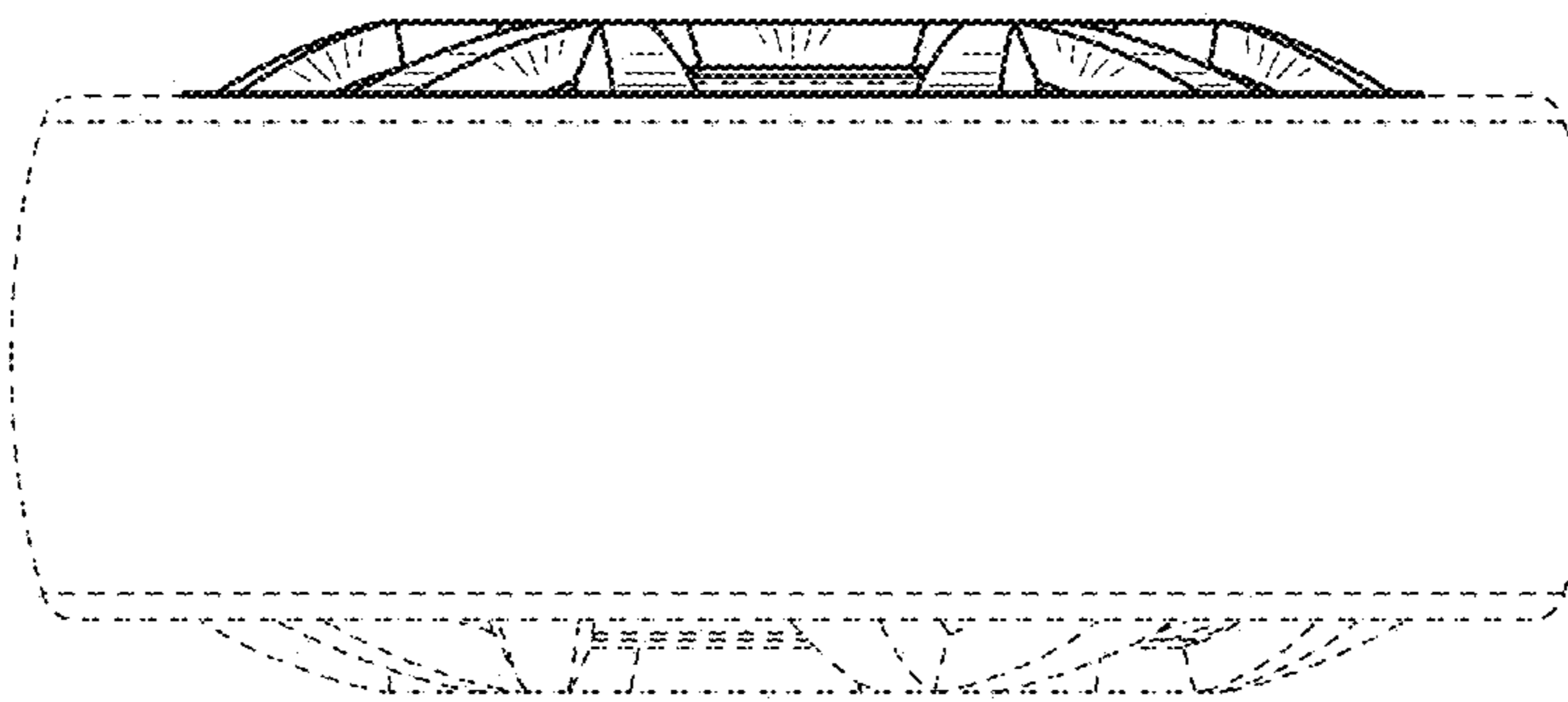




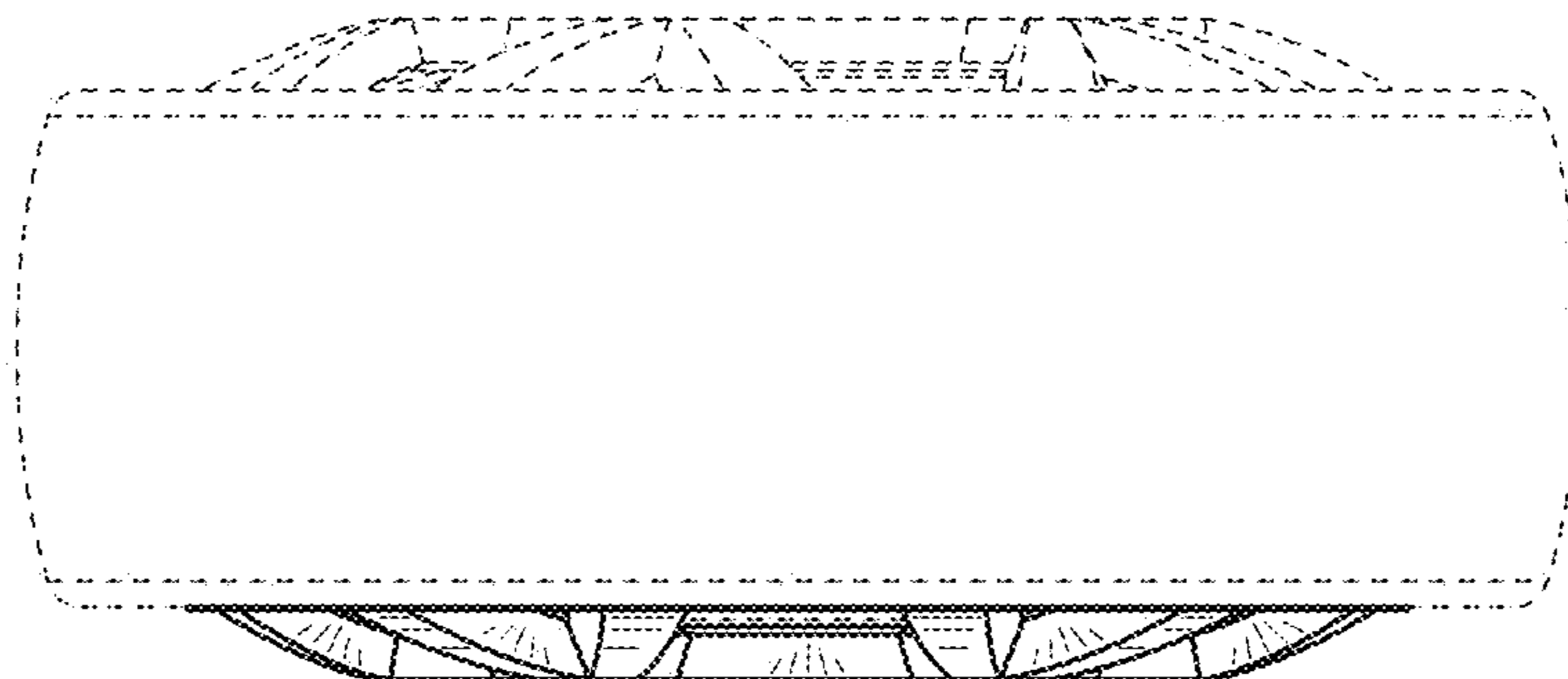
**FIG. 12**



**FIG. 13**



**FIG. 14**



**FIG. 15**

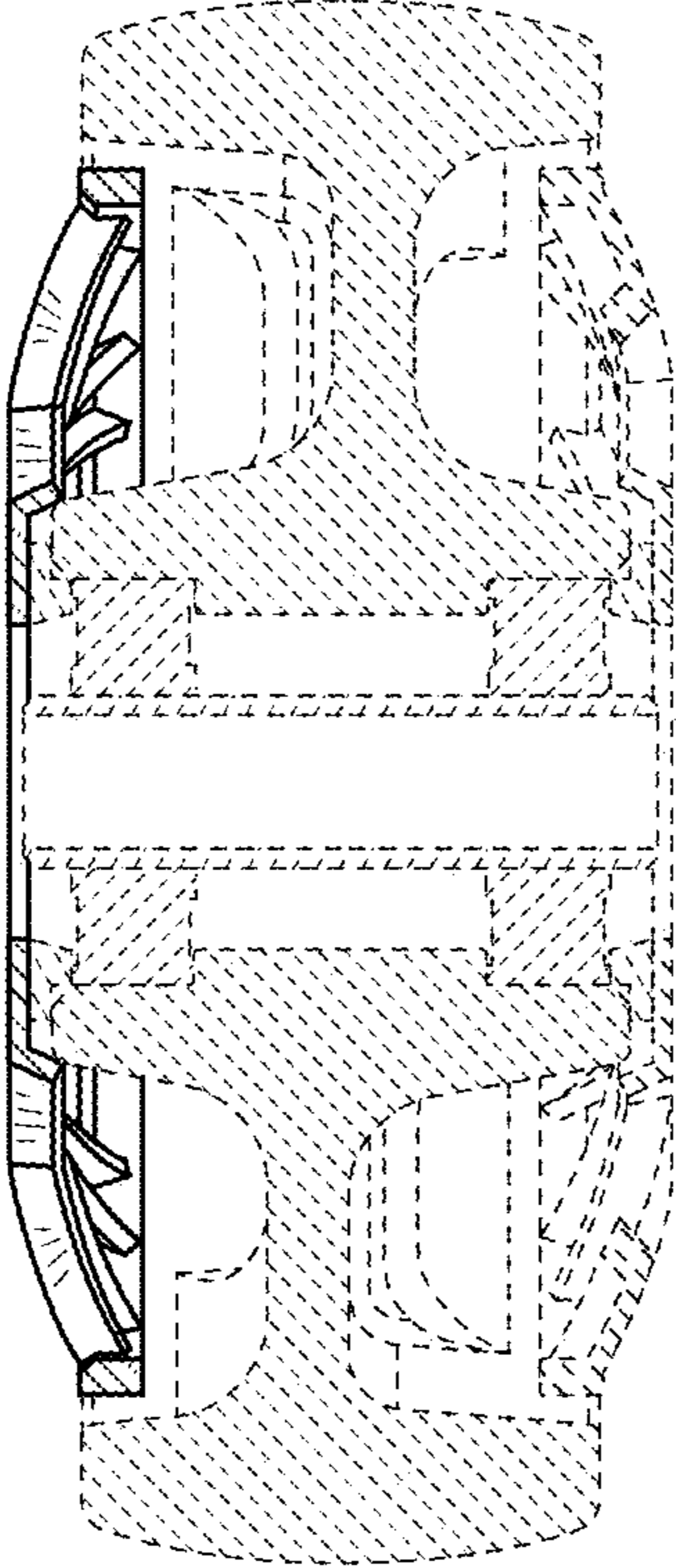


FIG. 16