



US00D973006S

(12) **United States Design Patent** (10) **Patent No.:** **US D973,006 S**
Echazabal et al. (45) **Date of Patent:** **** Dec. 20, 2022**

- (54) **VEHICLE WHEEL** D570,762 S * 6/2008 Scheu D12/211
- (71) Applicant: **Toyota Motor Engineering & Manufacturing North America, Inc.,** D572,185 S 7/2008 Pollmann
Plano, TX (US) D579,397 S 10/2008 Osborne
- (72) Inventors: **Alberto Echazabal, Prosper, TX (US);** D581,851 S * 12/2008 Scheu D12/211
Jakin C. Wilson, Prosper, TX (US) D586,715 S 2/2009 Cortes
- (73) Assignee: **Toyota Motor Engineering & Manufacturing North America, Inc.,** D589,427 S 3/2009 Scheu
Plano, TX (US) D625,238 S 10/2010 Zhao

(Continued)

(**) Term: **15 Years**

FOREIGN PATENT DOCUMENTS

- (21) Appl. No.: **29/711,103**
- (22) Filed: **Oct. 29, 2019**
- (51) **LOC (13) Cl.** **12-16**
- (52) **U.S. Cl.**
USPC **D12/211**
- (58) **Field of Classification Search**
USPC D12/204-213; D21/563
CPC B60B 1/08; B60B 3/02; B60B 3/04; B60B 3/06; B60B 3/10; B60B 7/00; B60B 7/02; B60B 7/04; B60B 1/00; B60B 1/10; B60B 1/12

- GB 9001826058-0026 * 2/2011
- IN 250934-0001 * 9/2013
- WO D200525-006 * 4/2019

Primary Examiner — Darlington Ly
Assistant Examiner — D. Ryan Tisdale
(74) *Attorney, Agent, or Firm* — Dinsmore & Shohl LLP

See application file for complete search history.

(57) **CLAIM**

The ornamental design for a vehicle wheel, as shown and described.

(56) **References Cited**

DESCRIPTION

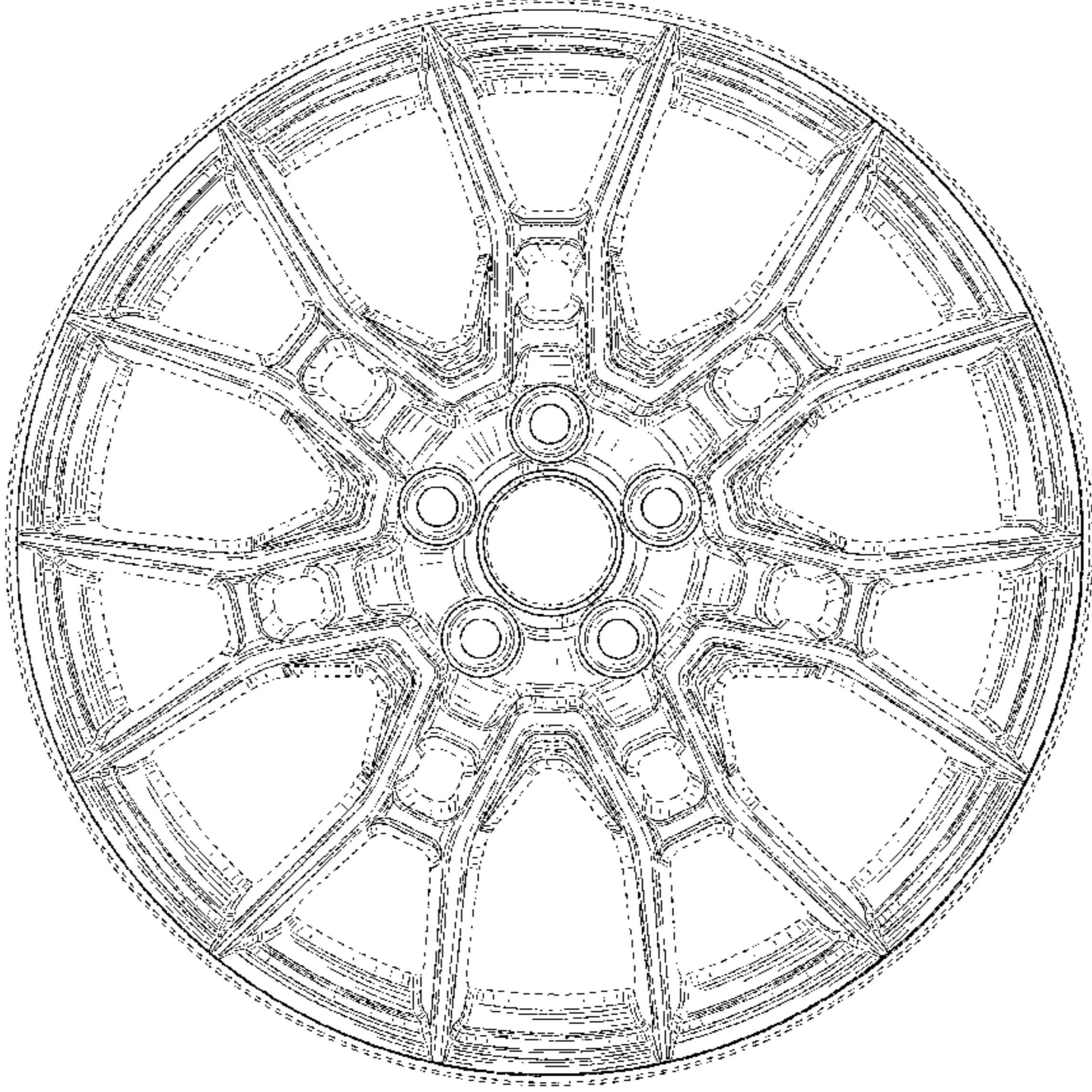
U.S. PATENT DOCUMENTS

- D395,031 S 6/1998 Timm
- D402,952 S 12/1998 Sycha
- D475,336 S 6/2003 Larson
- D485,524 S * 1/2004 Bhambra D12/209
- D487,881 S * 3/2004 Laengerer D12/209
- D496,623 S 9/2004 Elmitt
- D513,487 S * 1/2006 Wachtler D12/209
- D526,610 S * 8/2006 Muzzarelli D12/211
- D540,238 S * 4/2007 Sycha D12/209
- D547,251 S * 7/2007 Baum D12/209
- D554,035 S 10/2007 Groom

FIG. 1 is a front perspective view of a vehicle wheel illustrating an embodiment of our new design; FIG. 2 is a rear perspective view thereof; FIG. 3 is a front view thereof; FIG. 4 is a rear view thereof; and, FIG. 5 is a side view.

The broken lines in the drawings are included for the purpose of illustrating environmental structure and form no part of the claimed design. The dot-dashed lines are included for the purpose of illustrating boundary lines and form no part of the claimed design.

1 Claim, 5 Drawing Sheets



(56)

References Cited

U.S. PATENT DOCUMENTS

D673,096 S	*	12/2012	Platto	D12/209	D799,399 S	10/2017	Chung	
D687,756 S		8/2013	Campbell et al.		D800,044 S	10/2017	Ghobrial et al.	
D688,187 S		8/2013	McMath		D810,647 S	*	2/2018	Heizmann D12/209
D706,198 S		6/2014	Chung		D817,846 S		5/2018	Stone et al.
D723,990 S	*	3/2015	Muntada Roura	D12/209	D825,426 S	*	8/2018	Myrberg D12/209
D731,946 S		6/2015	Chung		D835,024 S		12/2018	Han
D733,027 S		6/2015	Chung		D849,660 S		5/2019	Ranum
D735,102 S	*	7/2015	Swanseger	D12/209	D854,487 S		7/2019	Hale
D750,004 S		2/2016	Chung		D876,309 S		2/2020	Echazabal
D758,948 S		6/2016	Trpinac		D883,175 S	*	5/2020	Metros D12/211
D765,002 S		8/2016	Hoste et al.		D885,288 S	*	5/2020	Preyss D12/209
D767,468 S		9/2016	Stone et al.		D885,297 S		5/2020	Hale
D781,199 S		3/2017	Dionisopoulos et al.		D912,589 S	*	3/2021	Hale, Jr. D12/209
D786,165 S		5/2017	Hale, Jr.		D915,983 S	*	4/2021	Chu D12/209
D787,405 S		5/2017	Nakamura		D917,366 S	*	4/2021	Groth D12/209
D791,036 S		7/2017	Owens et al.		D918,814 S	*	5/2021	Kraljevic D12/209
D792,827 S		7/2017	Chung		D929,924 S	*	9/2021	Mukti D12/209
D796,407 S	*	9/2017	Krause	D12/209	D944,706 S	*	3/2022	Echazabal D12/209
					D944,711 S	*	3/2022	Carbis D12/209
					D945,347 S	*	3/2022	Mukti D12/209

* cited by examiner

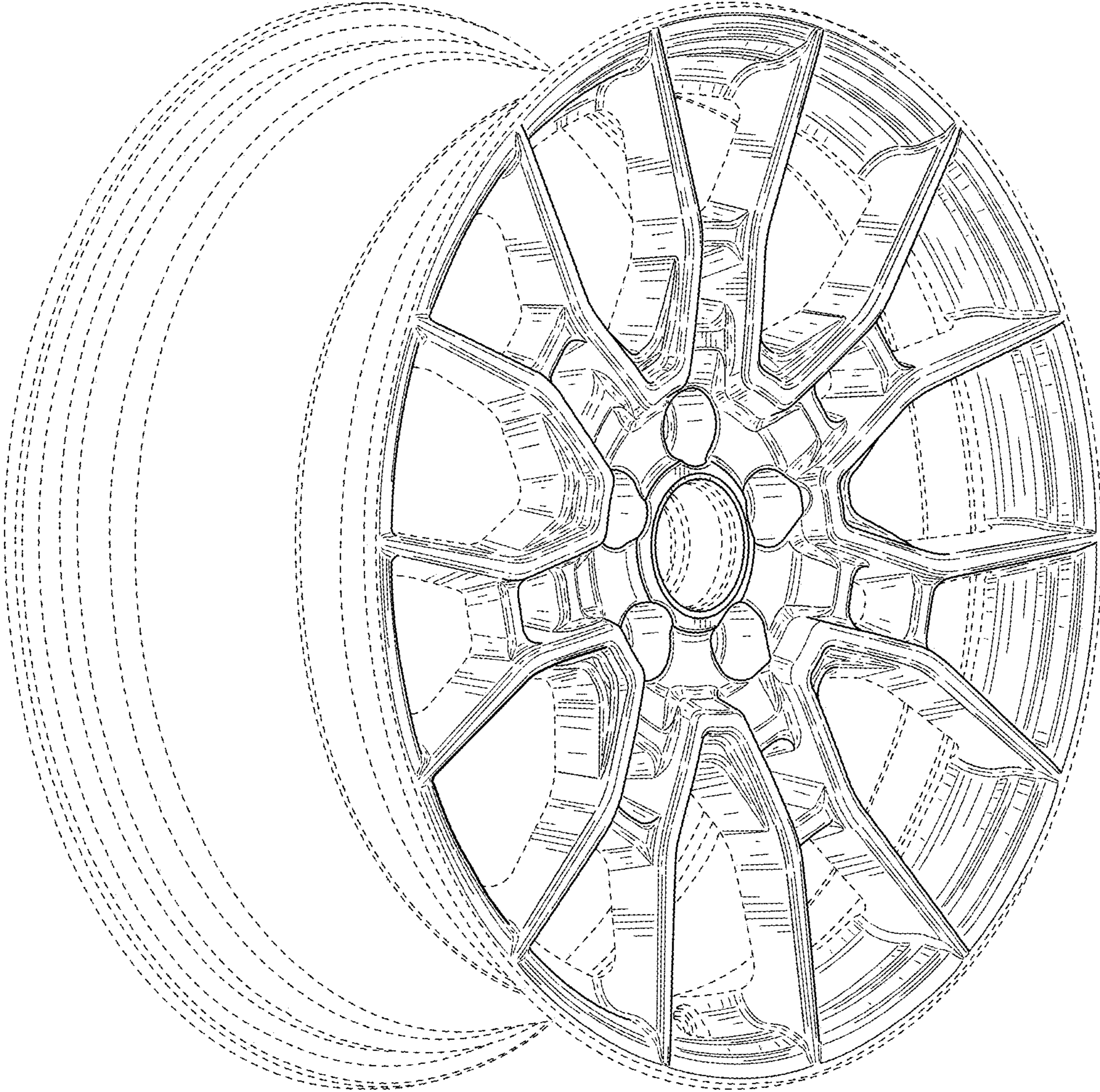


FIG. 1

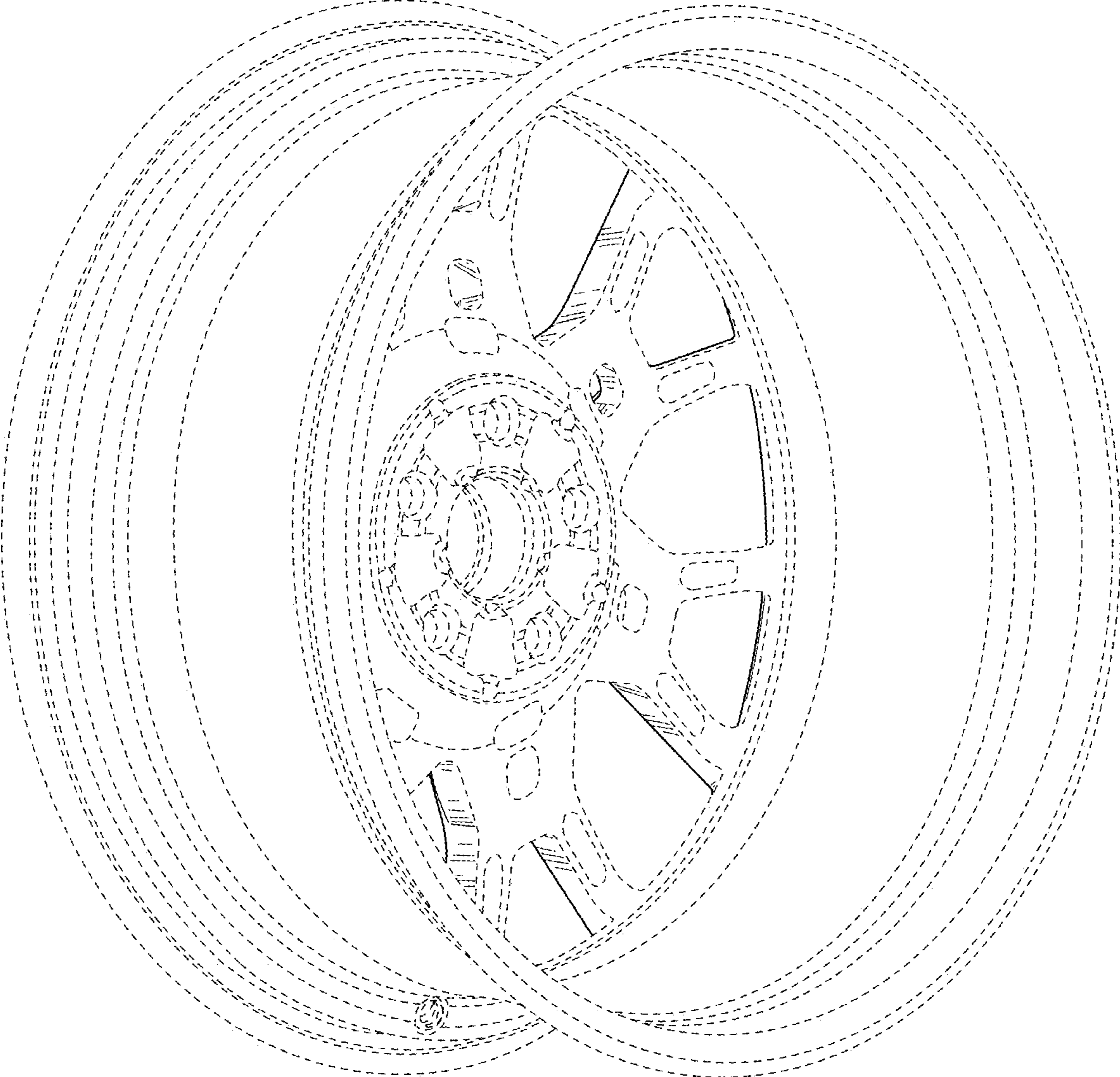


FIG. 2

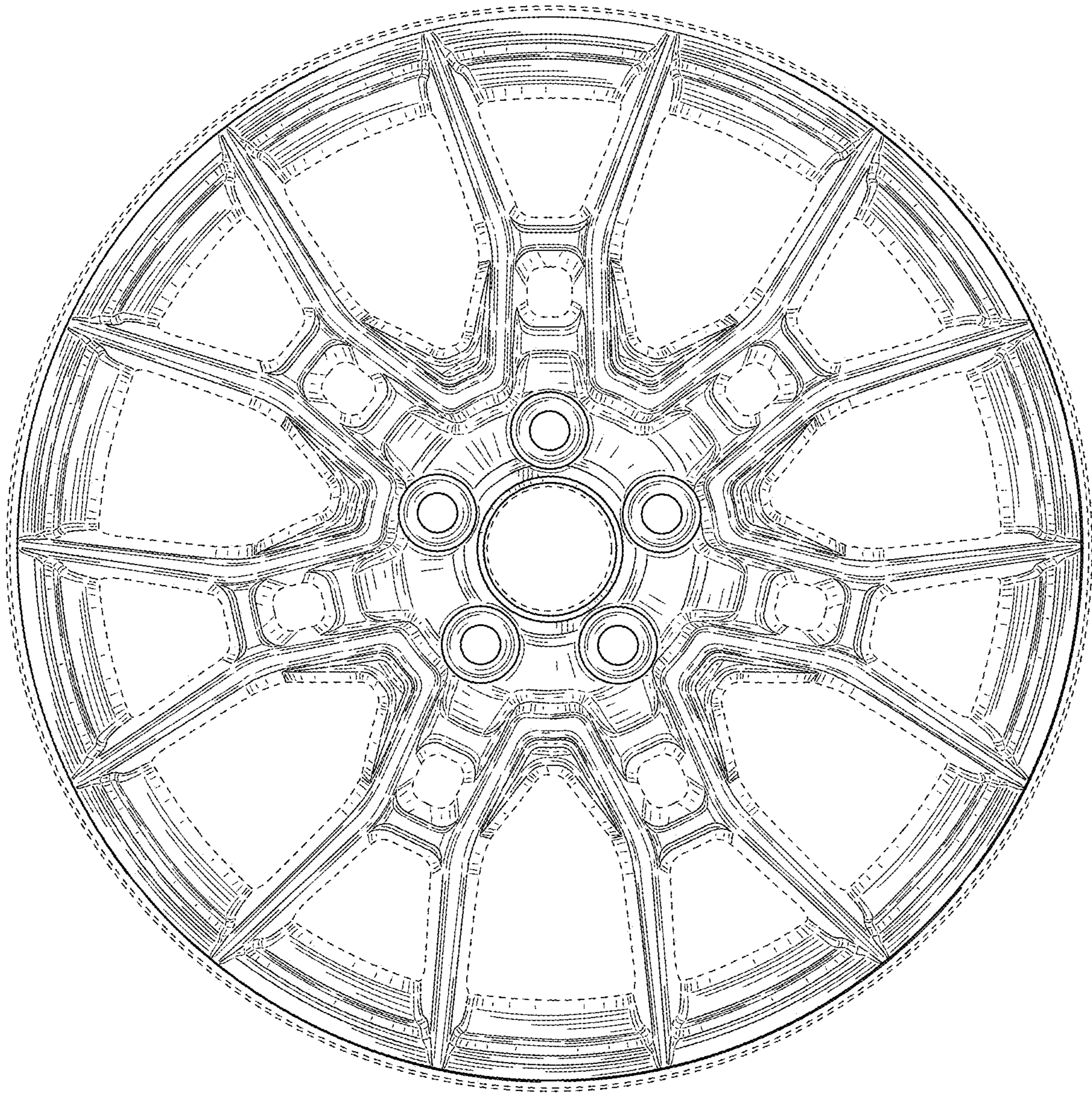


FIG. 3

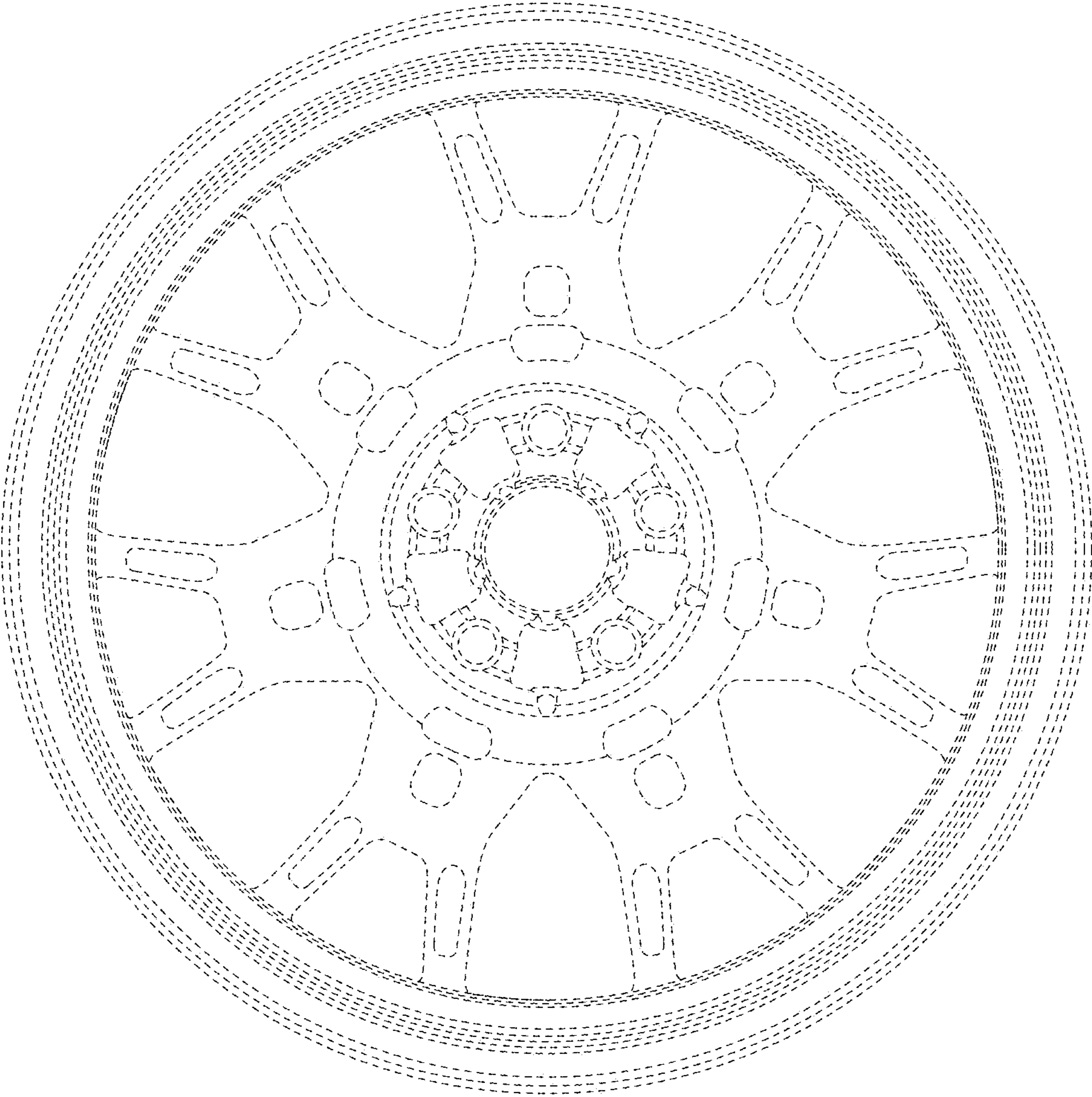


FIG. 4

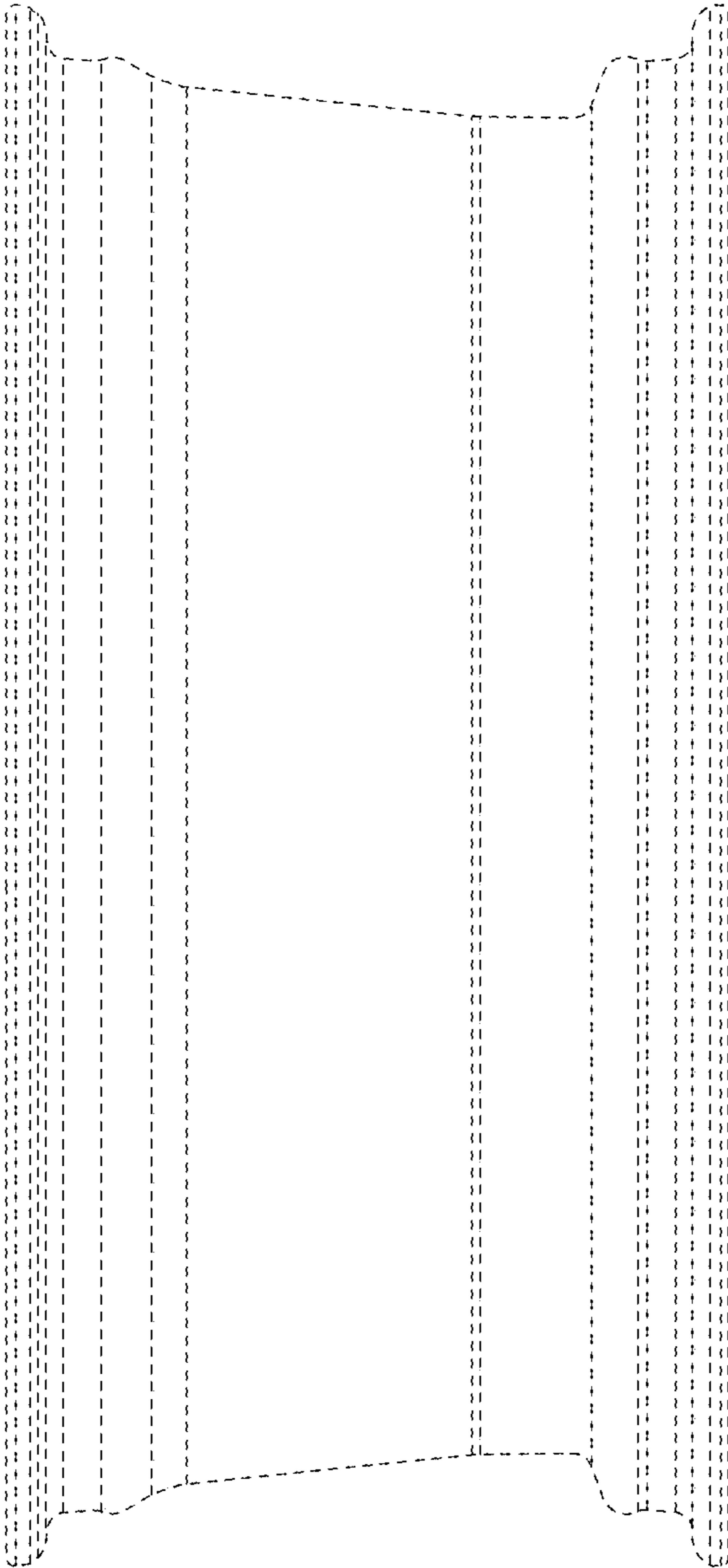


FIG. 5