



US00D973004S

(12) **United States Design Patent** (10) **Patent No.:** **US D973,004 S**  
**Huang** (45) **Date of Patent:** **\*\* Dec. 20, 2022**

(54) **WHEEL**  
(71) Applicant: **ZHEJIANG FENGCHI MECHANICAL CO., LTD.**, Taizhou (CN)  
(72) Inventor: **Gangren Huang**, Wenling (CN)  
(\*\*) Term: **15 Years**  
(21) Appl. No.: **29/781,258**  
(22) Filed: **Apr. 29, 2021**  
(51) **LOC (13) Cl.** ..... **12-16**  
(52) **U.S. Cl.**  
USPC ..... **D12/209**  
(58) **Field of Classification Search**  
USPC ..... D12/204, 209, 210, 211, 213, 419; D21/563  
CPC ..... B60B 7/02; B60B 7/04  
See application file for complete search history.

D912,595 S \* 3/2021 VanRyn ..... D12/209  
D941,729 S \* 1/2022 Kleinschuster ..... D12/209  
D942,918 S \* 2/2022 Tran ..... D12/209  
D944,710 S \* 3/2022 Greiving ..... D12/209

**FOREIGN PATENT DOCUMENTS**

EM 009013808-004 \* 5/2022  
EM 009021017-0002 \* 5/2022

**OTHER PUBLICATIONS**

Amazon, Rock Trix RT107 17 inch wheel, published Oct. 31, 2019[retrieved on Aug. 30, 2022]. Retrieved from the internet <[https://www.amazon.com/dp/B07ZTV9PM2/ref=syn\\_sd\\_onsite\\_desktop\\_266?ie=UTF8&pd\\_rd\\_plhdr=t&th=1](https://www.amazon.com/dp/B07ZTV9PM2/ref=syn_sd_onsite_desktop_266?ie=UTF8&pd_rd_plhdr=t&th=1) (Year: 2019).\*

\* cited by examiner

*Primary Examiner* — Joseph Kukella  
*Assistant Examiner* — Lavon M. Amerson  
(74) *Attorney, Agent, or Firm* — Rumit R. Kanakia

(57) **CLAIM**

The ornamental design for a wheel, as shown and described.

**DESCRIPTION**

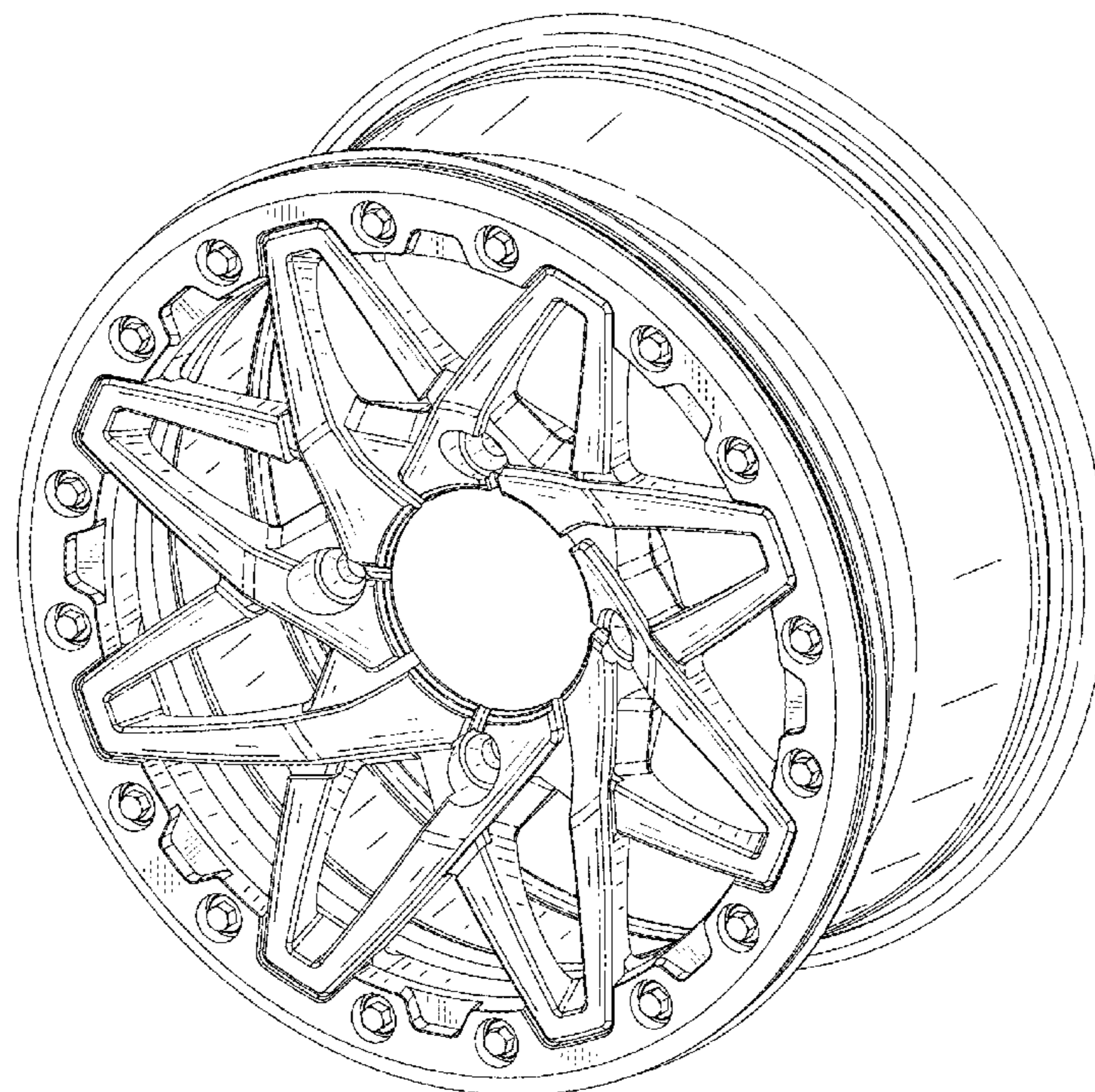
FIG. 1 is a first perspective view of a wheel showing my new design;  
FIG. 2 is a second perspective view thereof;  
FIG. 3 is a front view thereof;  
FIG. 4 is a back view thereof;  
FIG. 5 is a left side view thereof;  
FIG. 6 is a right side view thereof;  
FIG. 7 is a top view thereof; and,  
FIG. 8 is a bottom view thereof.

**1 Claim, 8 Drawing Sheets**

(56) **References Cited**

**U.S. PATENT DOCUMENTS**

D325,018 S \* 3/1992 Nordmann ..... D12/209  
D502,908 S \* 3/2005 Mahachanh ..... D12/209  
D731,946 S \* 6/2015 Chung ..... D12/211  
D791,057 S \* 7/2017 Johnson ..... D12/211  
D793,938 S \* 8/2017 Yang ..... D12/209  
D838,227 S \* 1/2019 Zhen ..... D12/209  
D838,646 S \* 1/2019 Harriton ..... D12/209  
D839,813 S \* 2/2019 Zhen ..... D12/209  
D845,861 S \* 4/2019 Tran ..... D12/209  
D852,111 S \* 6/2019 Kong ..... D12/211  
D856,255 S \* 8/2019 Johnson ..... D12/209  
D878,993 S \* 3/2020 Liu ..... D12/209  
D902,822 S \* 11/2020 Carbis ..... D12/209



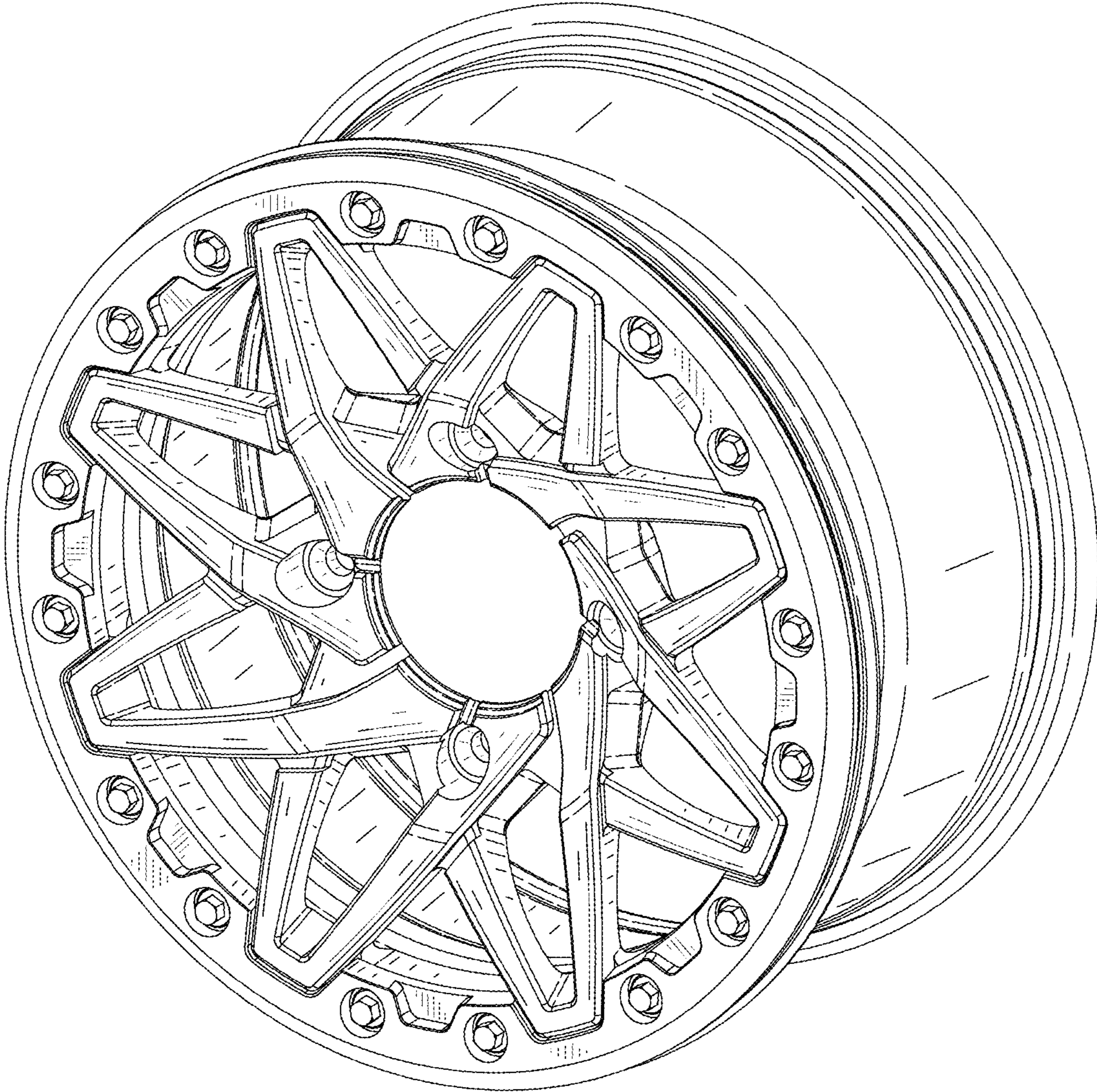


FIG. 1

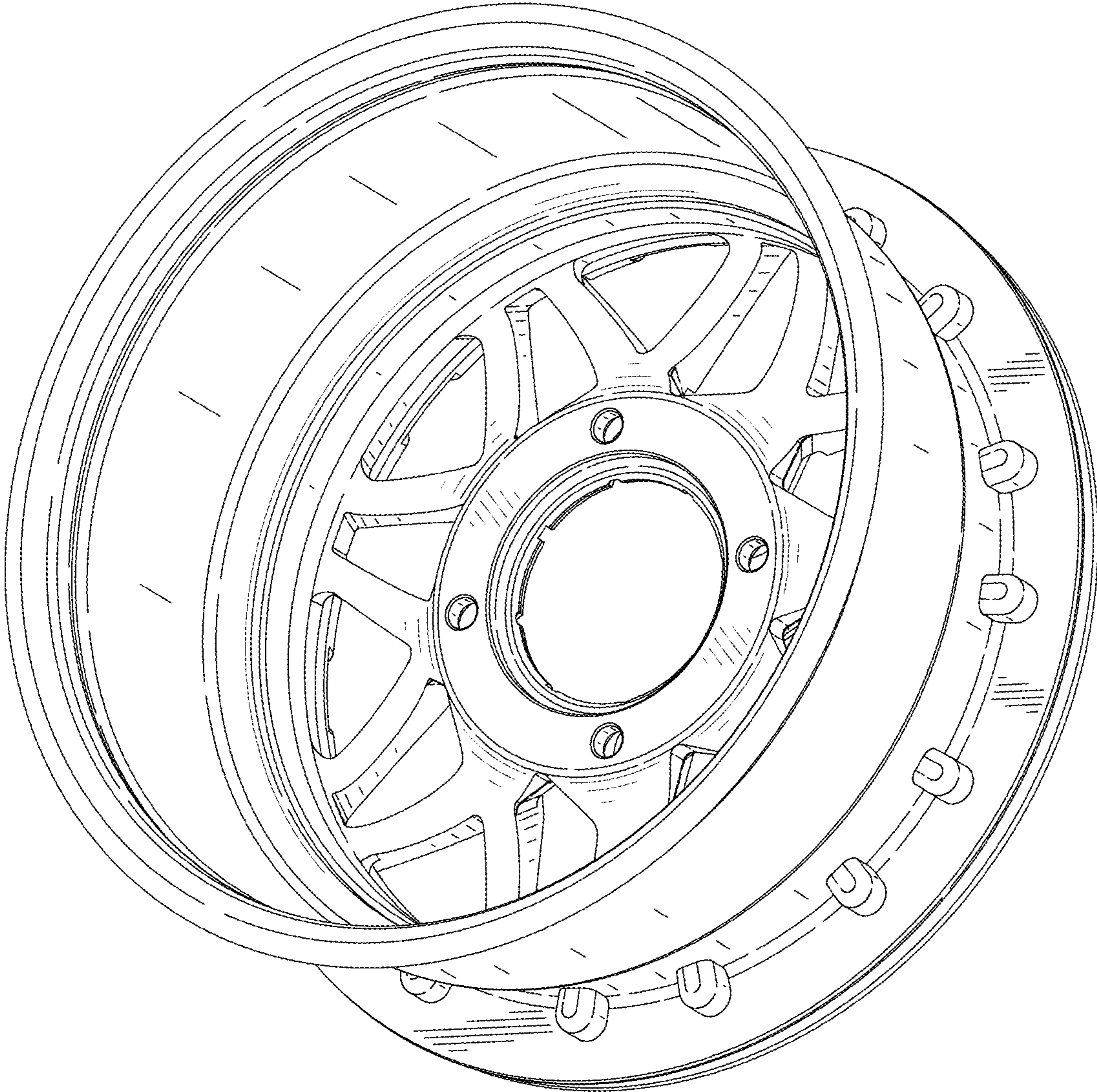


FIG. 2

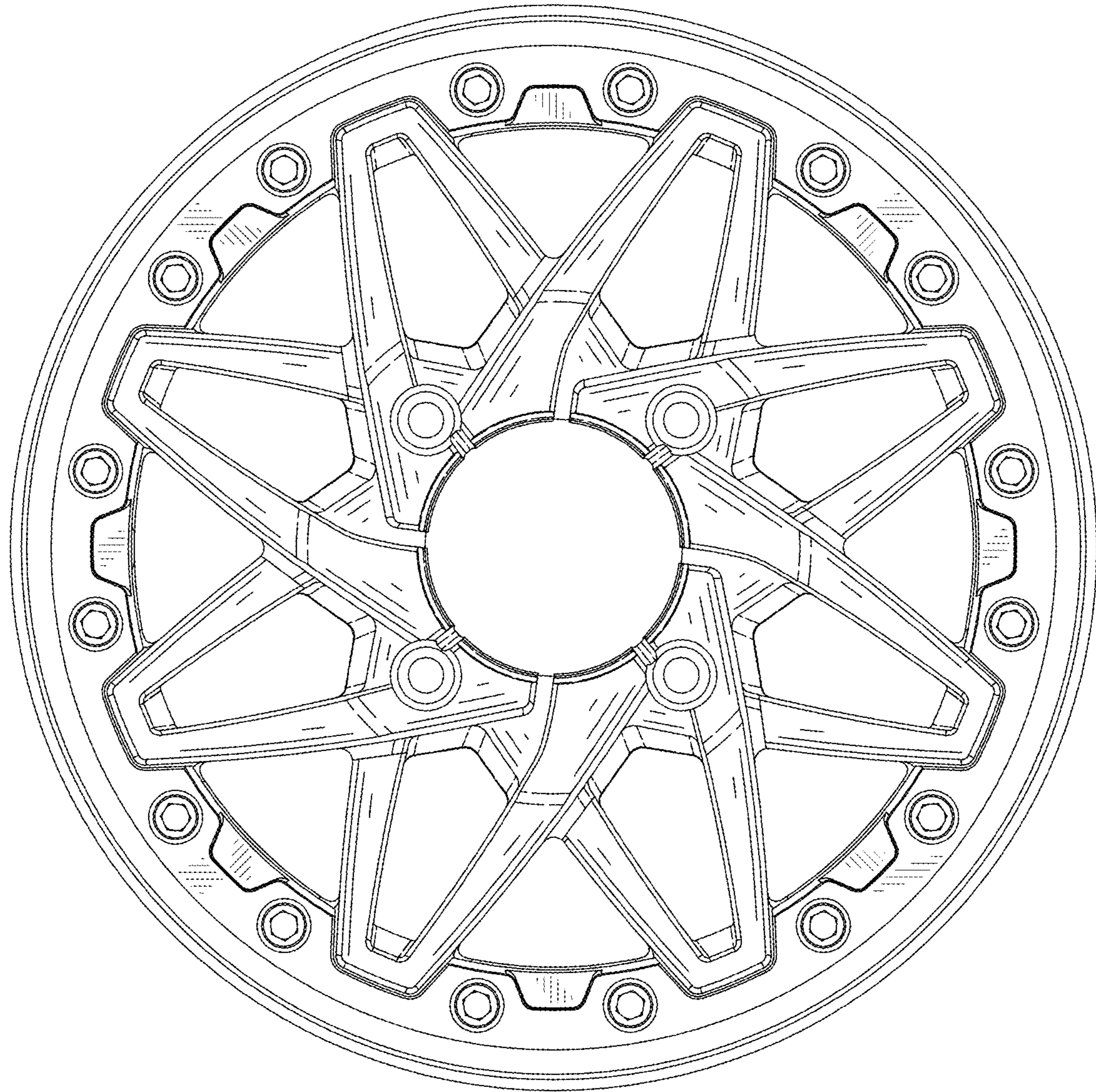


FIG. 3

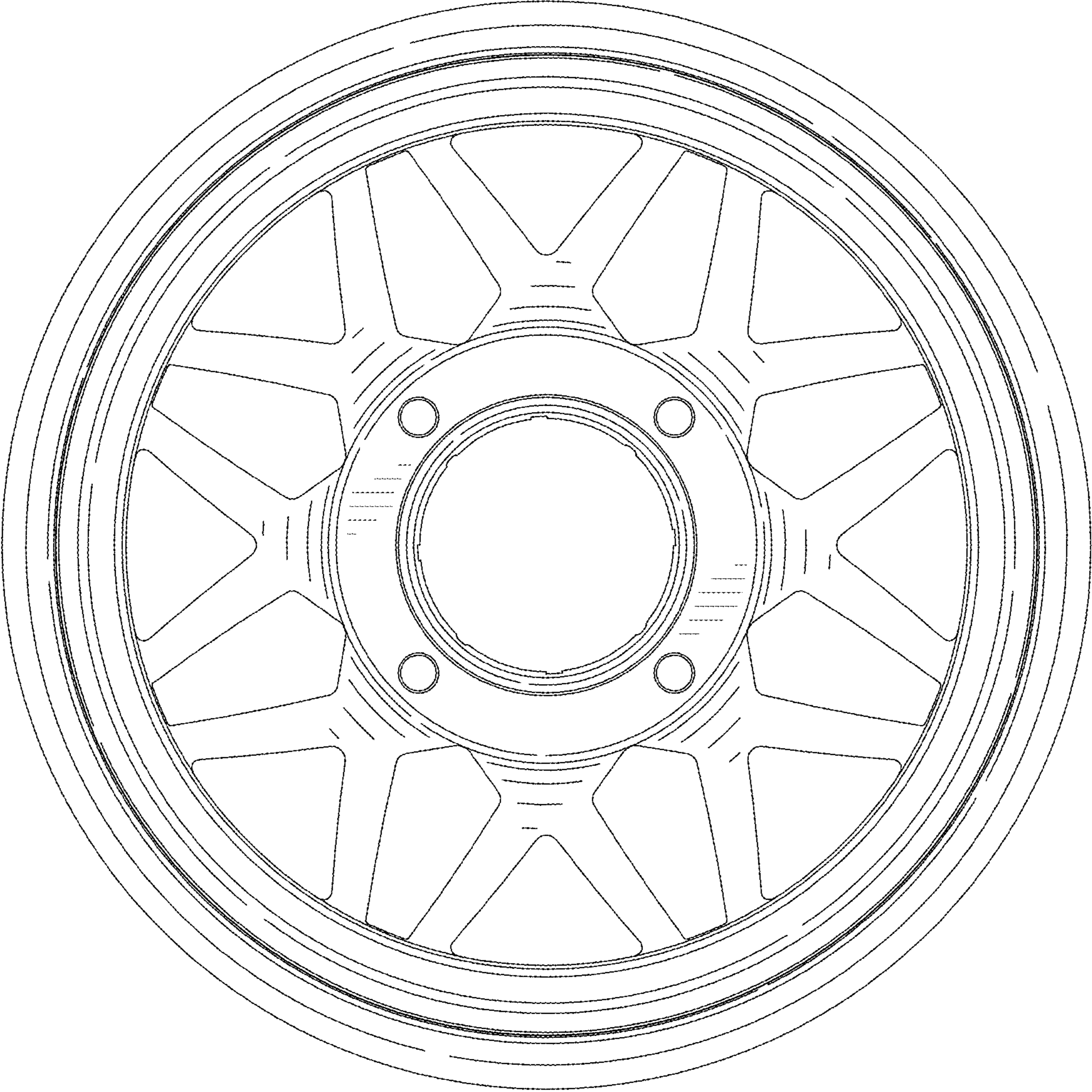


FIG. 4

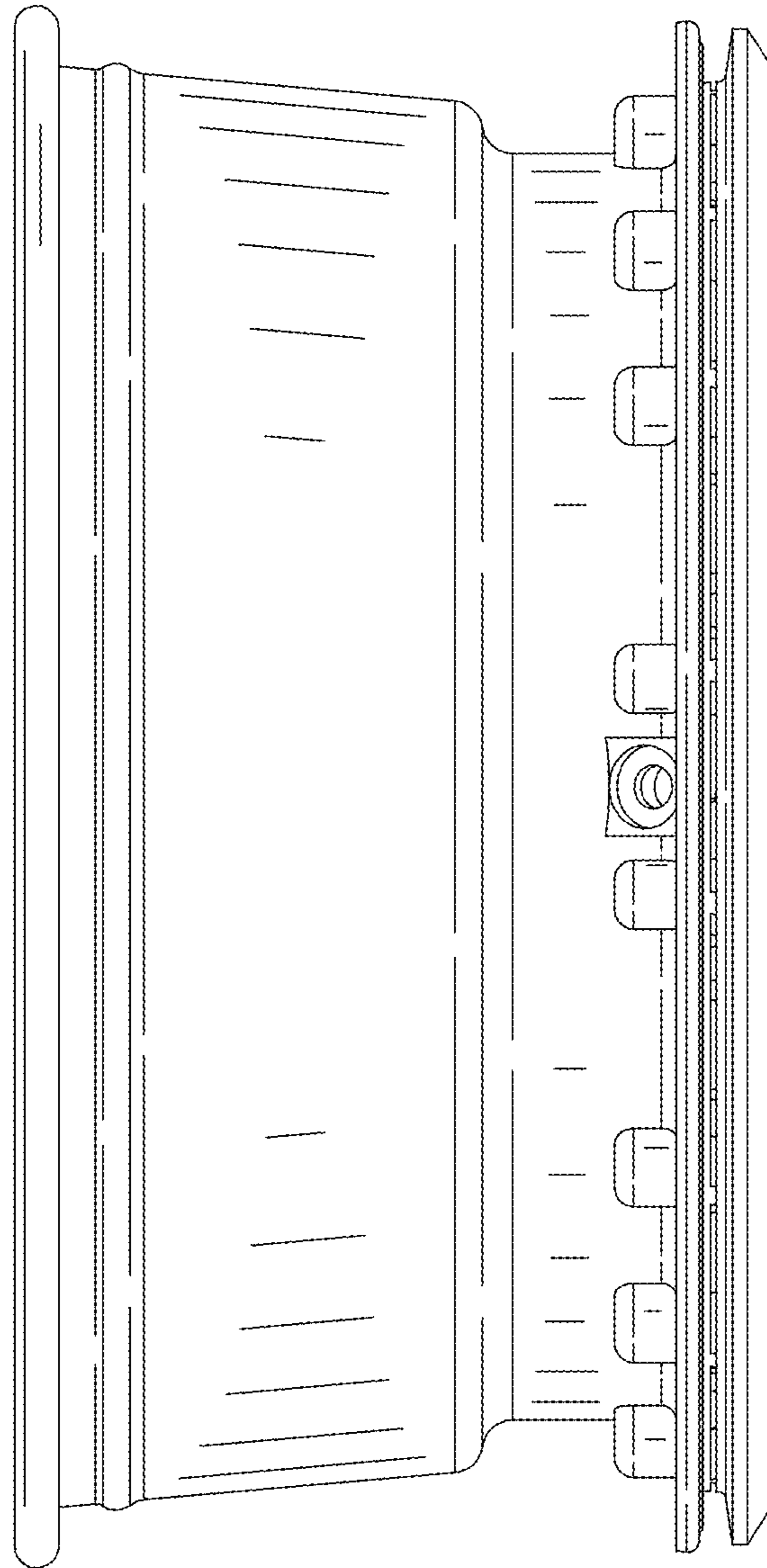


FIG. 5

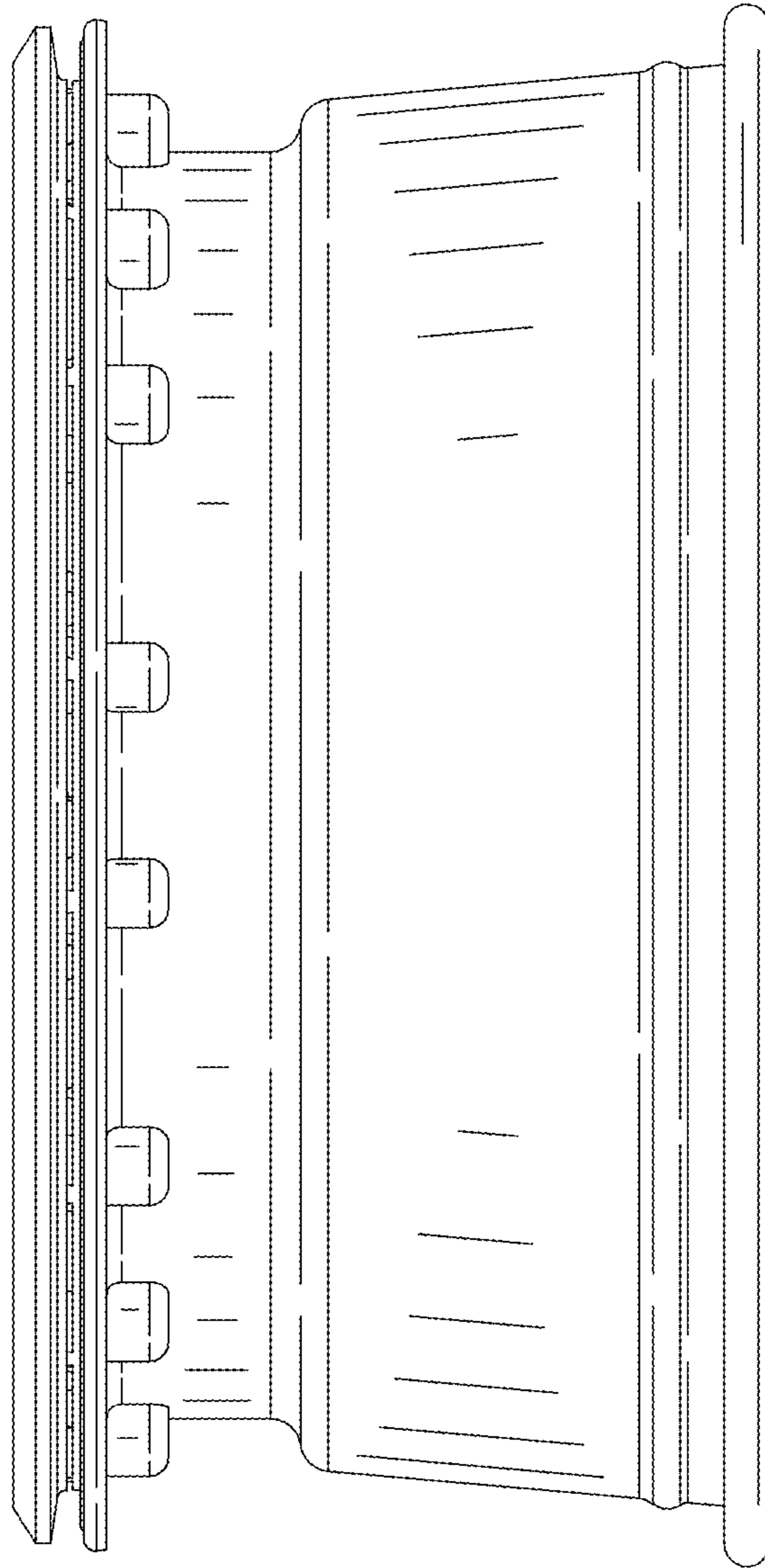


FIG. 6

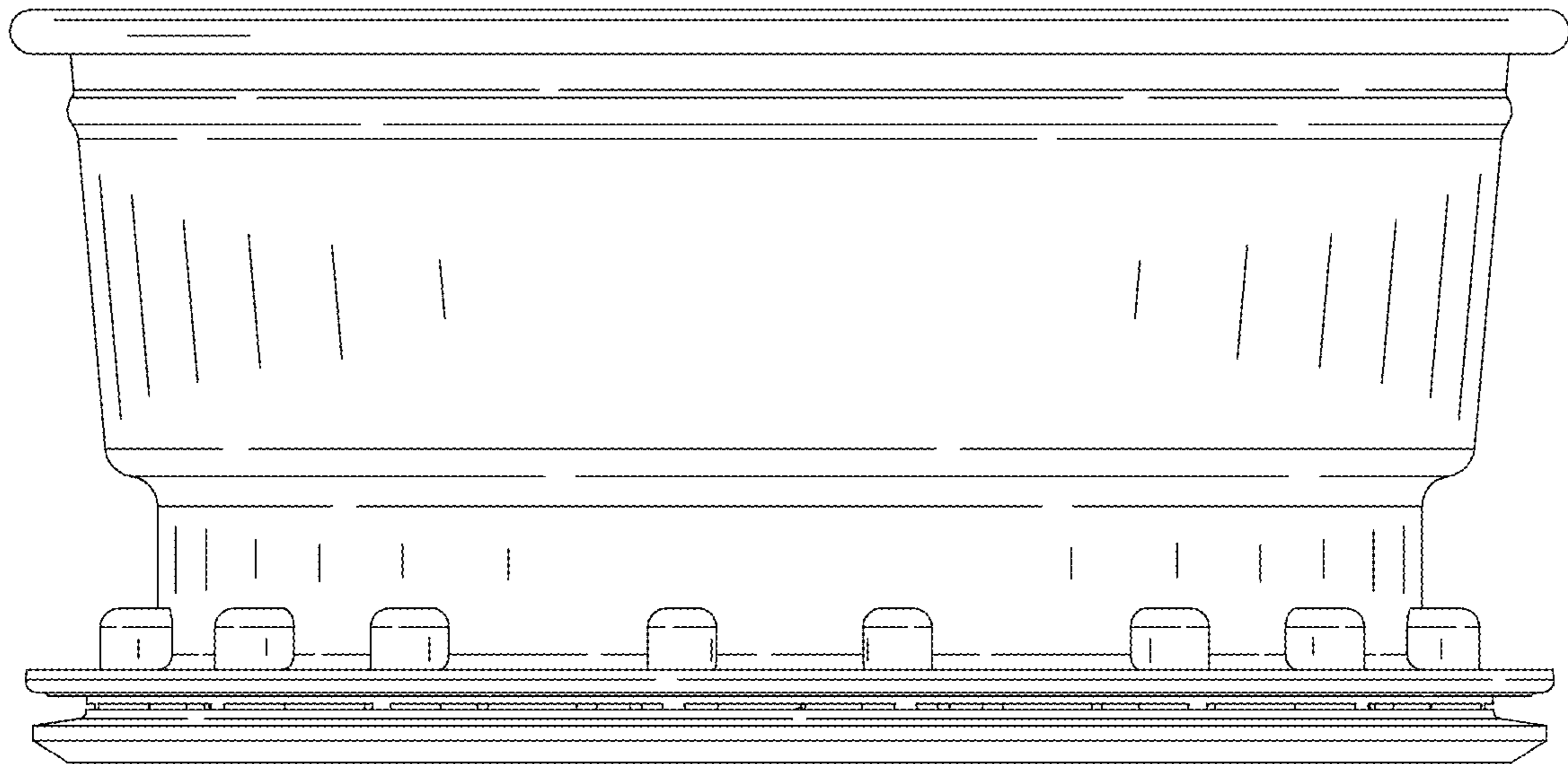


FIG. 7



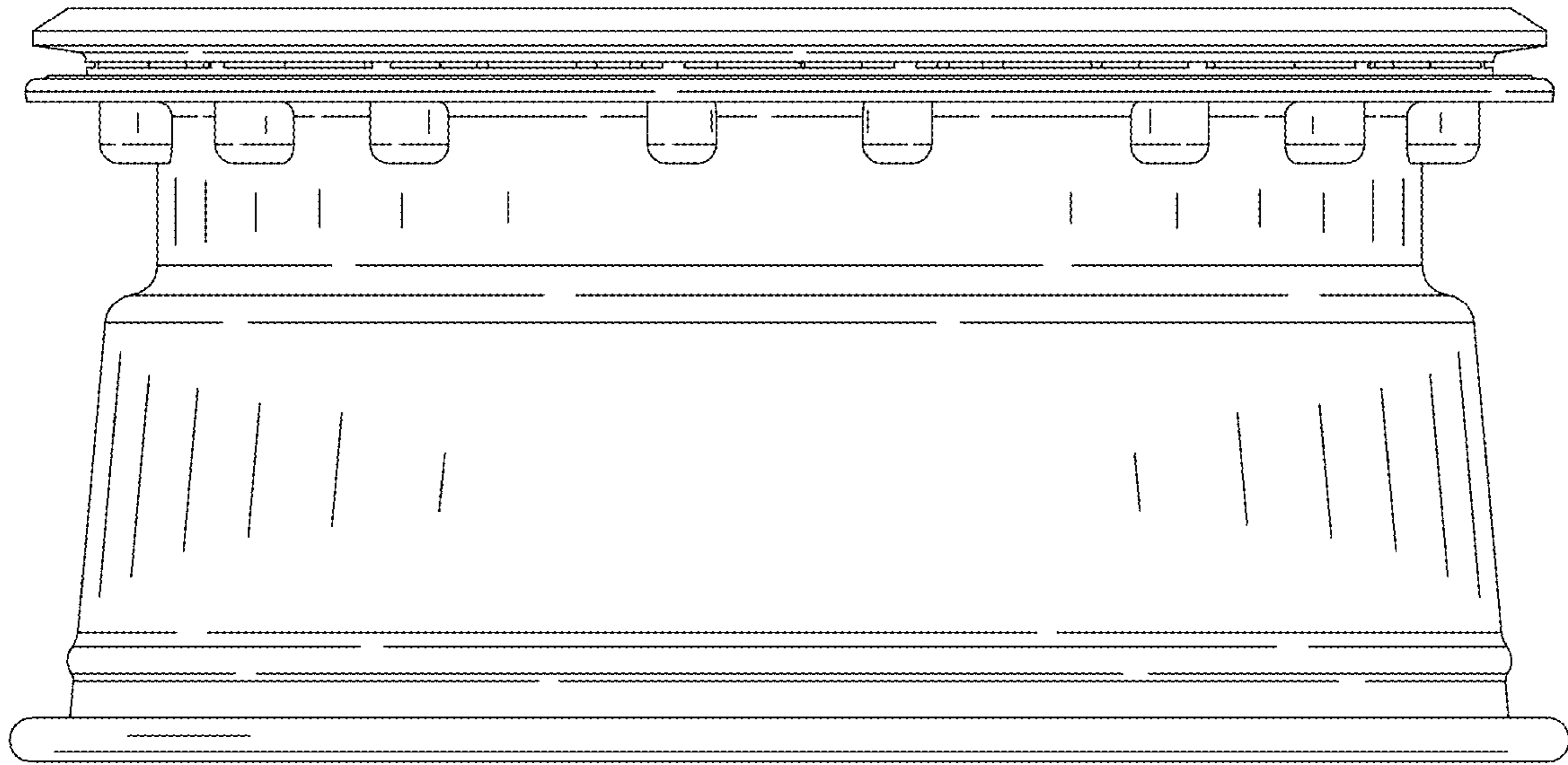


FIG. 8