



US00D973002S

(12) **United States Design Patent**
Dunford

(10) **Patent No.:** **US D973,002 S**

(45) **Date of Patent:** **** Dec. 20, 2022**

(54) **VEHICLE WHEEL**

(71) Applicant: **Matthew Dunford**, Clawson, MI (US)

(72) Inventor: **Matthew Dunford**, Clawson, MI (US)

(73) Assignee: **FCA US LLC**, Auburn Hills, MI (US)

(**) Term: **15 Years**

(21) Appl. No.: **29/776,277**

(22) Filed: **Mar. 29, 2021**

(51) **LOC (13) Cl.** **12-16**

(52) **U.S. Cl.**

USPC **D12/209**; D21/563

(58) **Field of Classification Search**

USPC D12/204–213; D21/563

CPC B60B 7/00; B60B 7/02; B60B 7/04; B60B
7/01; B60B 7/06; B60B 3/02; B60B 3/04;
B60B 3/06; B60B 3/10; B60B 1/00;
B60B 1/08; B60B 1/10; B60B 1/12

See application file for complete search history.

(56) **References Cited**

U.S. PATENT DOCUMENTS

D461,756 S *	8/2002	Hieke	D12/211
D486,110 S *	2/2004	Elmitt	D12/211
D505,903 S *	6/2005	Nordmann	D12/209
D513,221 S *	12/2005	Pfeiffer	D12/211
D527,325 S *	8/2006	Nagashima	D12/209
D529,426 S *	10/2006	Metros	D12/209
D535,934 S *	1/2007	Scheu	D12/211
D623,110 S *	9/2010	Juergens	D12/209

D754,049 S *	4/2016	Valencia Pollex	D12/209
D766,806 S	9/2016	Tannen et al.	
D772,133 S	11/2016	Stone et al.	
D783,493 S *	4/2017	Hubers	D12/209
D787,406 S *	5/2017	Piscitelli	D12/209
D791,038 S *	7/2017	Piscitelli	D12/209
D792,313 S *	7/2017	Langhals	D12/211
D850,350 S *	6/2019	Tran	D12/211
D861,564 S *	10/2019	Dewitt	D12/209
D881,777 S *	4/2020	Lyu	D12/209
D895,511 S *	9/2020	Howell	D12/209
D897,922 S *	10/2020	Macey	D12/209
D899,339 S *	10/2020	Prossler	D12/209
D901,354 S *	11/2020	Aneiros	D12/209
D908,070 S *	1/2021	Wheel	D21/563
D913,898 S *	3/2021	Ma	D12/211

* cited by examiner

Primary Examiner — Calvin E Vansant

(74) *Attorney, Agent, or Firm* — Ralph E. Smith

(57) **CLAIM**

The ornamental design for a vehicle wheel, as shown and described.

DESCRIPTION

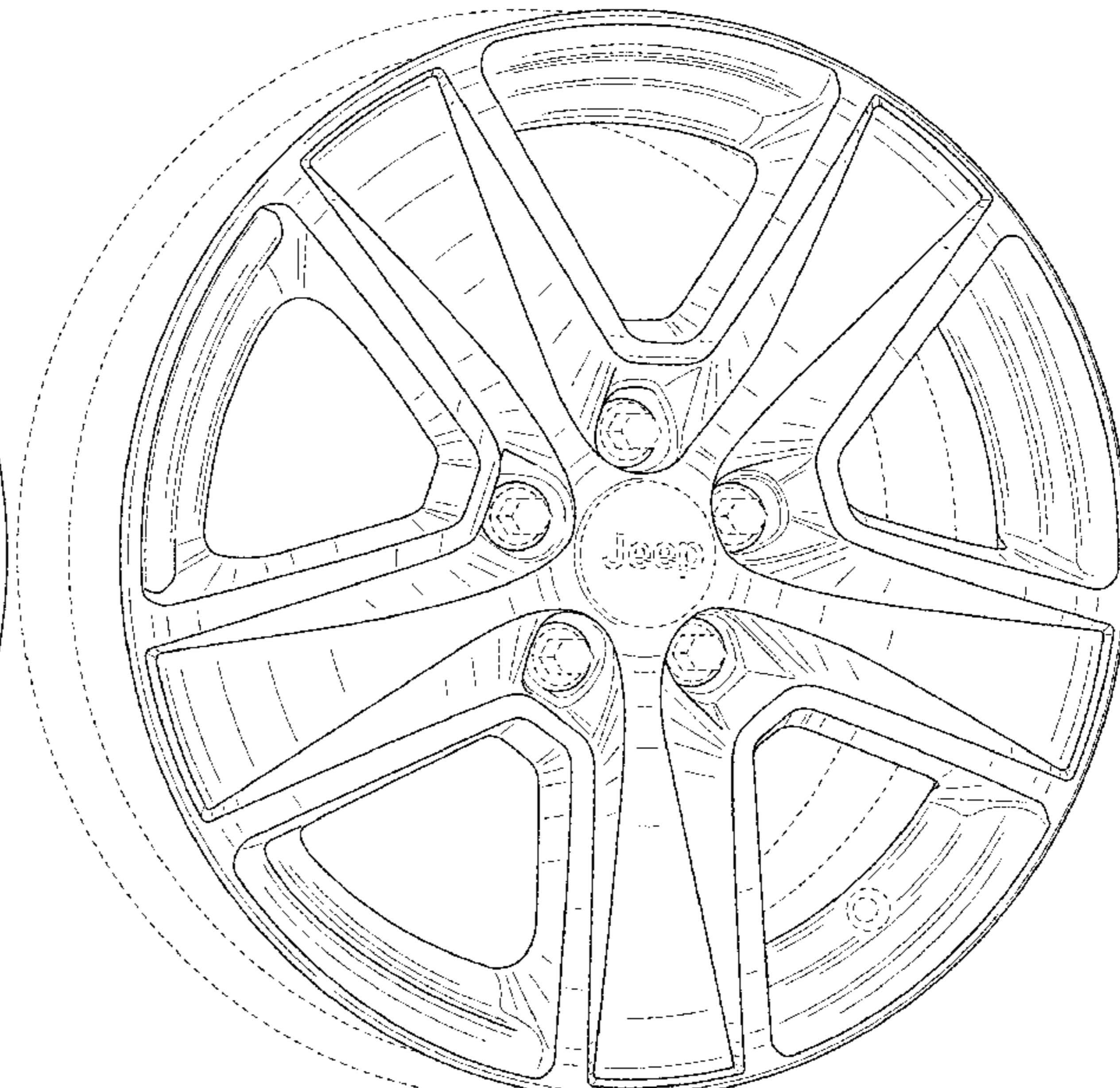
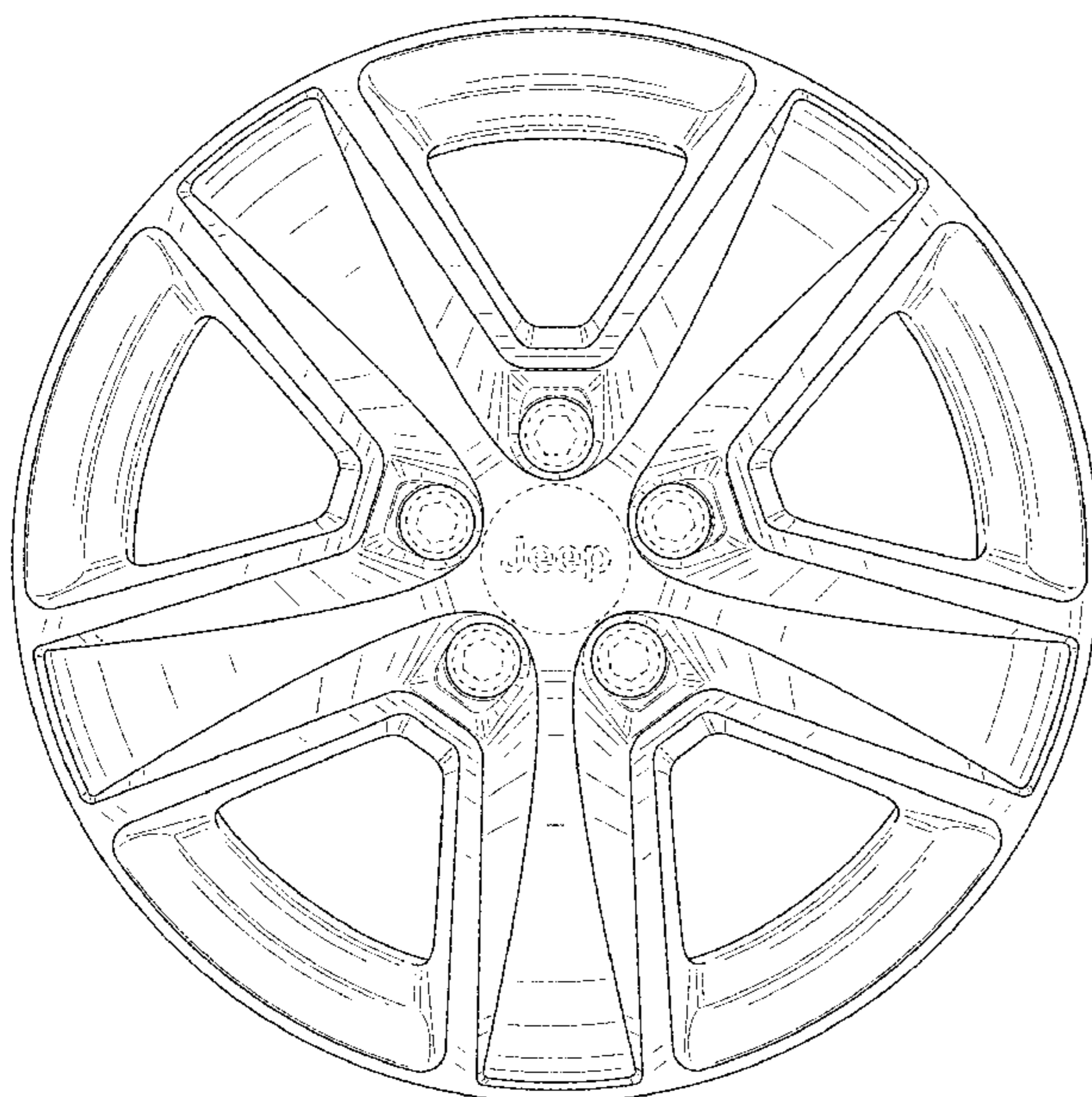
FIG. 1 is a front view of a vehicle wheel showing our new design;

FIG. 2 is a right perspective view thereof; and,

FIG. 3 is a left perspective view thereof.

It will be understood that the broken lines shown in the drawings illustrate portions of the vehicle wheel that form no part of the claimed design.

1 Claim, 3 Drawing Sheets



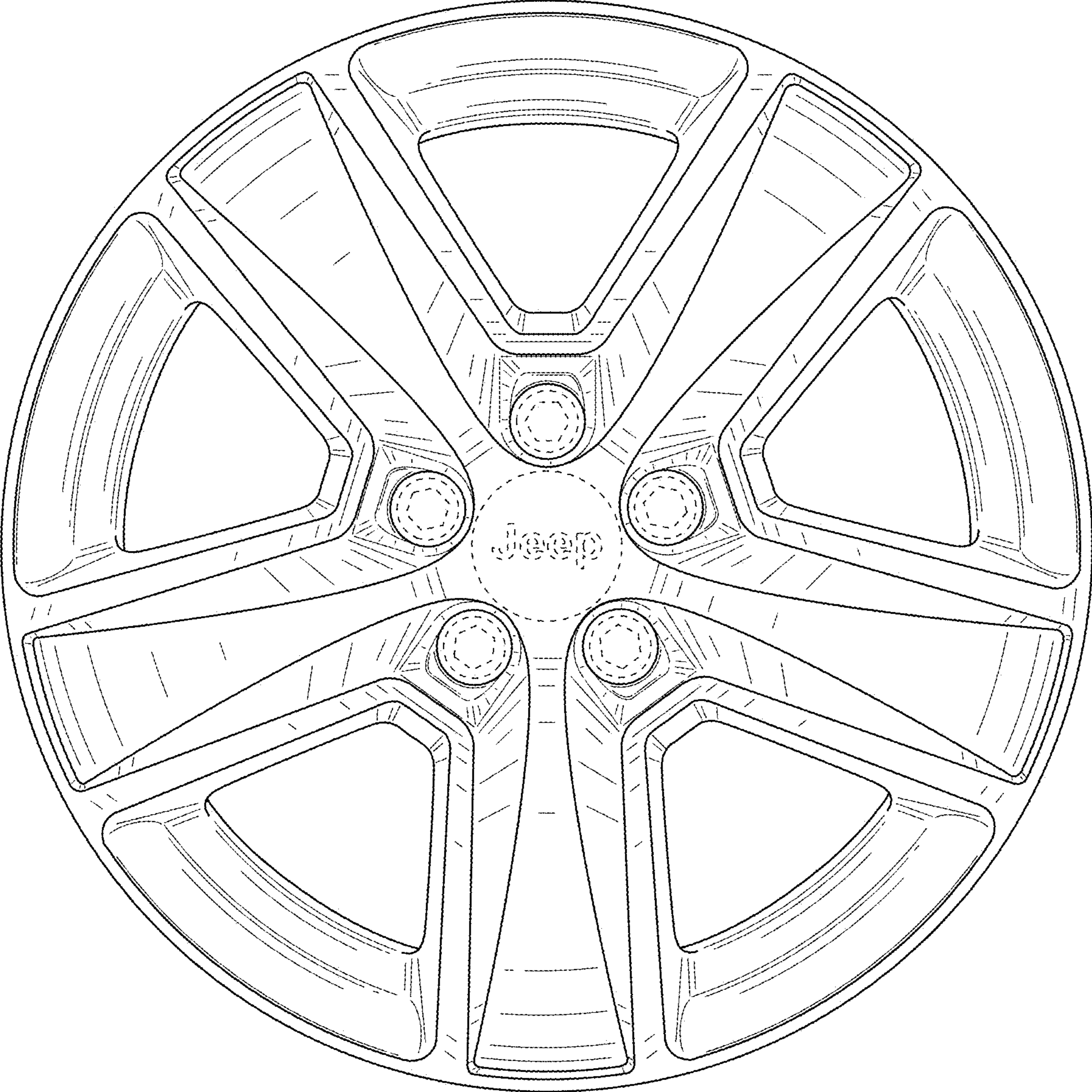


FIG. 1

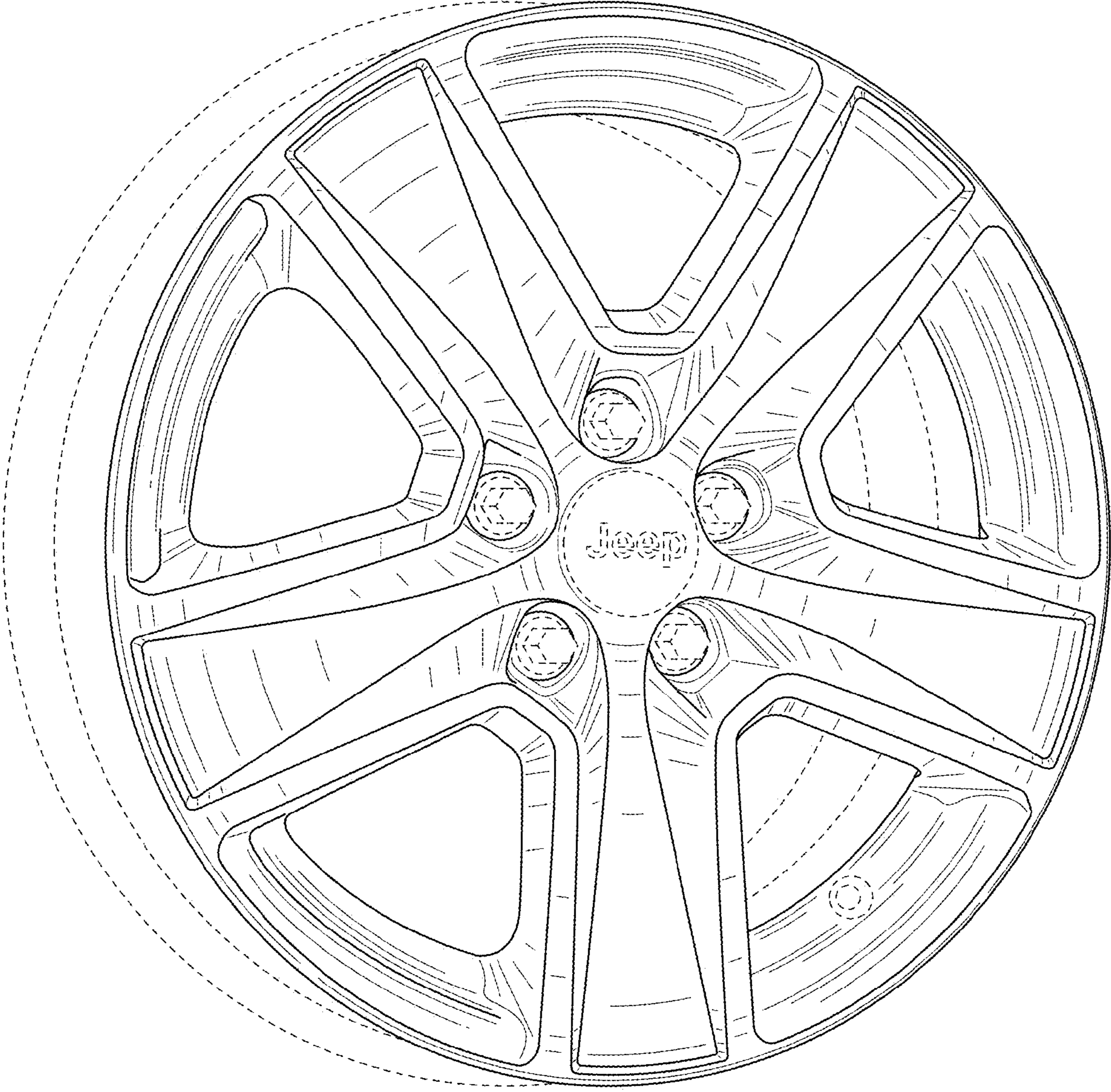


FIG. 2

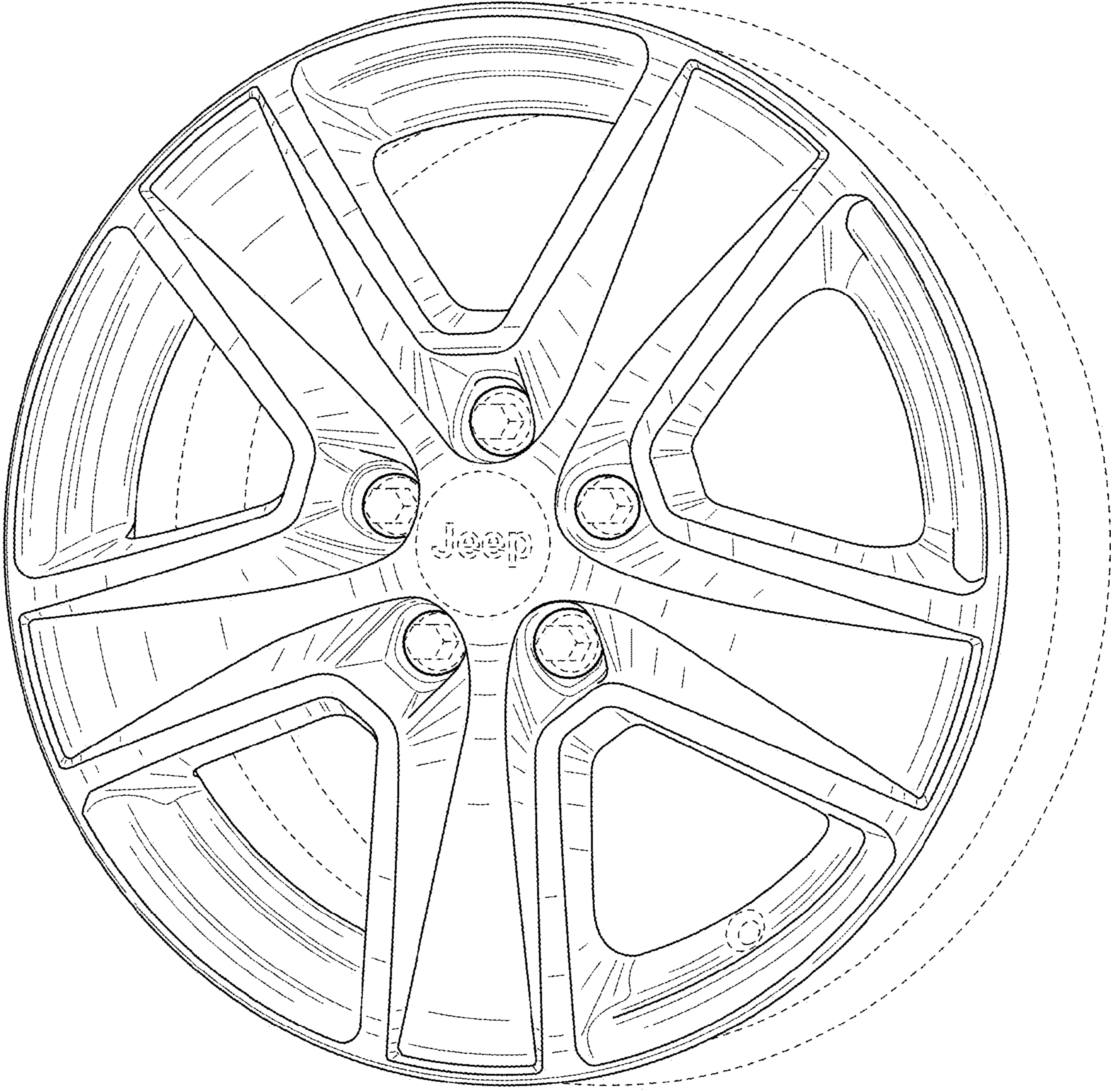


FIG. 3