



US00D972999S

(12) **United States Design Patent** (10) **Patent No.:** **US D972,999 S**
Langhals et al. (45) **Date of Patent:** **** Dec. 20, 2022**

(54) **LOWER LIFTGATE PANEL**
(71) Applicants: **Taylor A. Langhals**, Waterford, MI (US); **Tome Jovanoski**, Shelby Township, MI (US); **Timothy W. Anness**, Rochester Hills, MI (US)

D903,563 S * 12/2020 Rådbrink D12/196
D904,267 S * 12/2020 Patel D12/196
D908,572 S * 1/2021 Langhals D12/196
D914,569 S * 3/2021 Matsuoka D12/196
D915,971 S * 4/2021 Jung D12/196
D930,539 S * 9/2021 Matsuoka D12/196

(72) Inventors: **Taylor A. Langhals**, Waterford, MI (US); **Tome Jovanoski**, Shelby Township, MI (US); **Timothy W. Anness**, Rochester Hills, MI (US)

OTHER PUBLICATIONS

Liftgates. (Design—© Questel) orbit.com. [Online PDF compilation of references] p. 50 Print Dates Range Sep. 26, 2019-May 21, 2019 [Retrieved Mar. 9, 2022].*

(73) Assignee: **FCA US LLC**, Auburn Hills, MI (US)

Honda Element Rear Tailgate Bottom Door. 2011. Ebay. https://www.ebay.com/itm/133949912939?chn=ps&norover=1&mkevt=1&mkrid=711-117182-37290-0&mkcid=2&itemid=133949912939&targetid=1263094004306&device=c&mktype=&googleloc=1014895&poi=&campaignid=14859008593&mkgroupid=130497710760&rlsatarget=pla-1263094004306&abclid.*

(**) Term: **15 Years**

(21) Appl. No.: **29/815,330**

(22) Filed: **Nov. 12, 2021**

(Continued)

Related U.S. Application Data

Primary Examiner — George D. Kirschbaum

Assistant Examiner — Suzanne E Tisdell

(63) Continuation-in-part of application No. 29/727,311, filed on Mar. 10, 2020, now Pat. No. Des. 935,939.

(74) *Attorney, Agent, or Firm* — Ralph E. Smith

(51) **LOC (13) Cl.** **12-16**

(57) **CLAIM**

(52) **U.S. Cl.**
USPC **D12/196**

The ornamental design for a lower liftgate panel, as shown and described.

(58) **Field of Classification Search**
USPC ... D12/89, 92, 163, 169, 171, 183, 196, 216
CPC B62D 24/02; B62D 25/00; B62D 25/003;
B62D 25/02; B62D 25/08; B62D
33/0273; B62D 33/03; B62D 33/037
See application file for complete search history.

DESCRIPTION

(56) **References Cited**

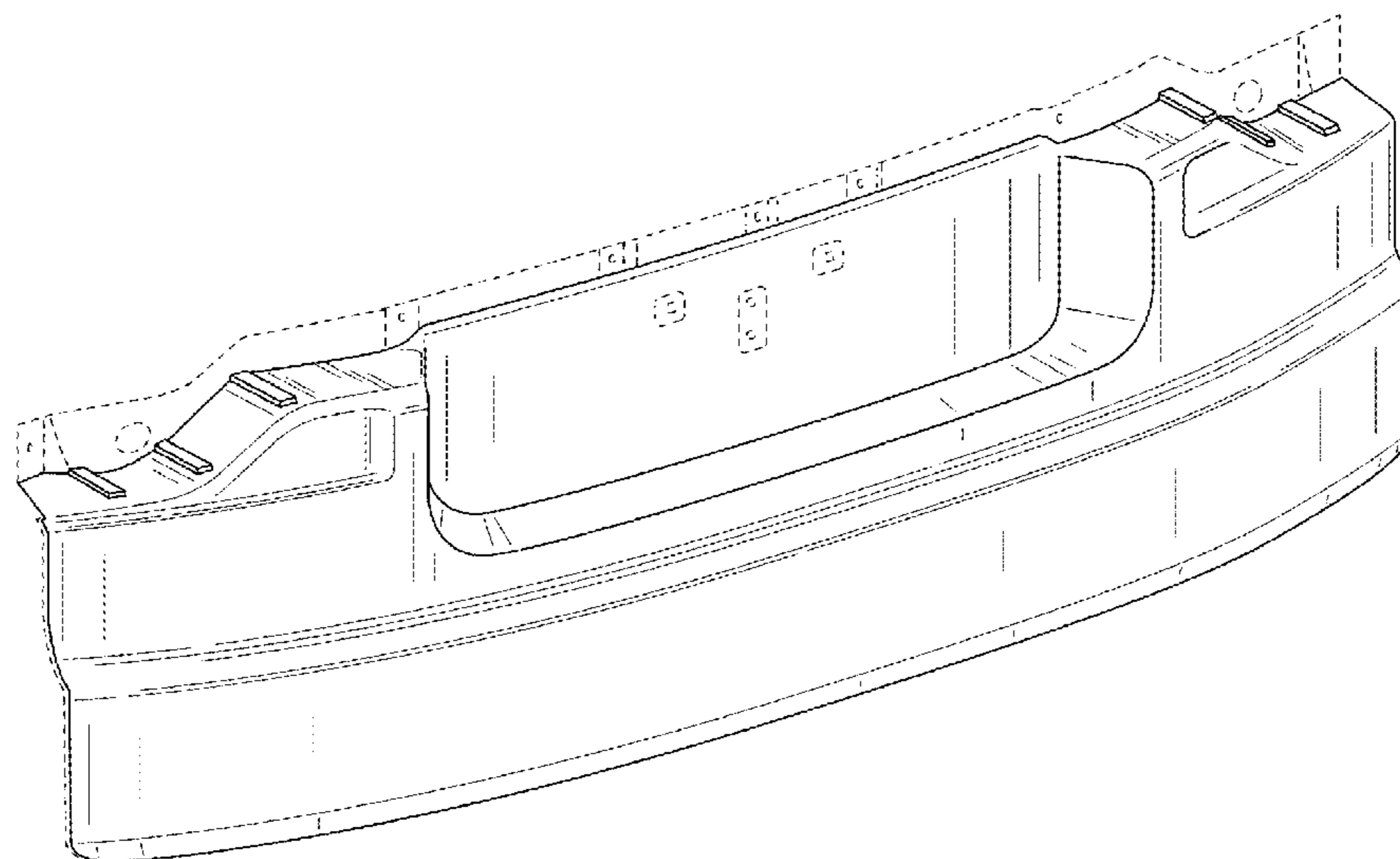
FIG. 1 is a front perspective view of a lower liftgate panel showing our new design;
FIG. 2 is a rear perspective view thereof;
FIG. 3 is a front view thereof;
FIG. 4 is a rear view thereof;
FIG. 5 is a side view thereof;
FIG. 6 is an opposite side view thereof;
FIG. 7 is a top view thereof; and,
FIG. 8 is a bottom view thereof.

U.S. PATENT DOCUMENTS

D882,479 S * 4/2020 Tomasson D12/196
D890,055 S * 7/2020 Platto D12/196
D893,376 S * 8/2020 Oh D12/196
D896,716 S * 9/2020 Battams D12/196
D897,255 S * 9/2020 Zipfel D12/196
D900,692 S * 11/2020 Lim D12/196
D902,103 S * 11/2020 Al Attar D12/196

It will be understood that the broken lines shown in the drawings illustrate portions of the lower liftgate panel that form no part of the claimed design.

1 Claim, 8 Drawing Sheets



(56)

References Cited

OTHER PUBLICATIONS

Design for the growing liftgate market. Jul. 18, 2018. Car Design News. <https://www.carsdesignnews.com/resources/design-for-the-growing-liftgate-market/30689.article>.*

All-plastic liftgate 30% lighter than steel counterpart. Jun. 25, 2014. Plastics Today. <https://www.plasticstoday.com/all-plastic-liftgate-30-lighter-steel-counterpart>.*

* cited by examiner

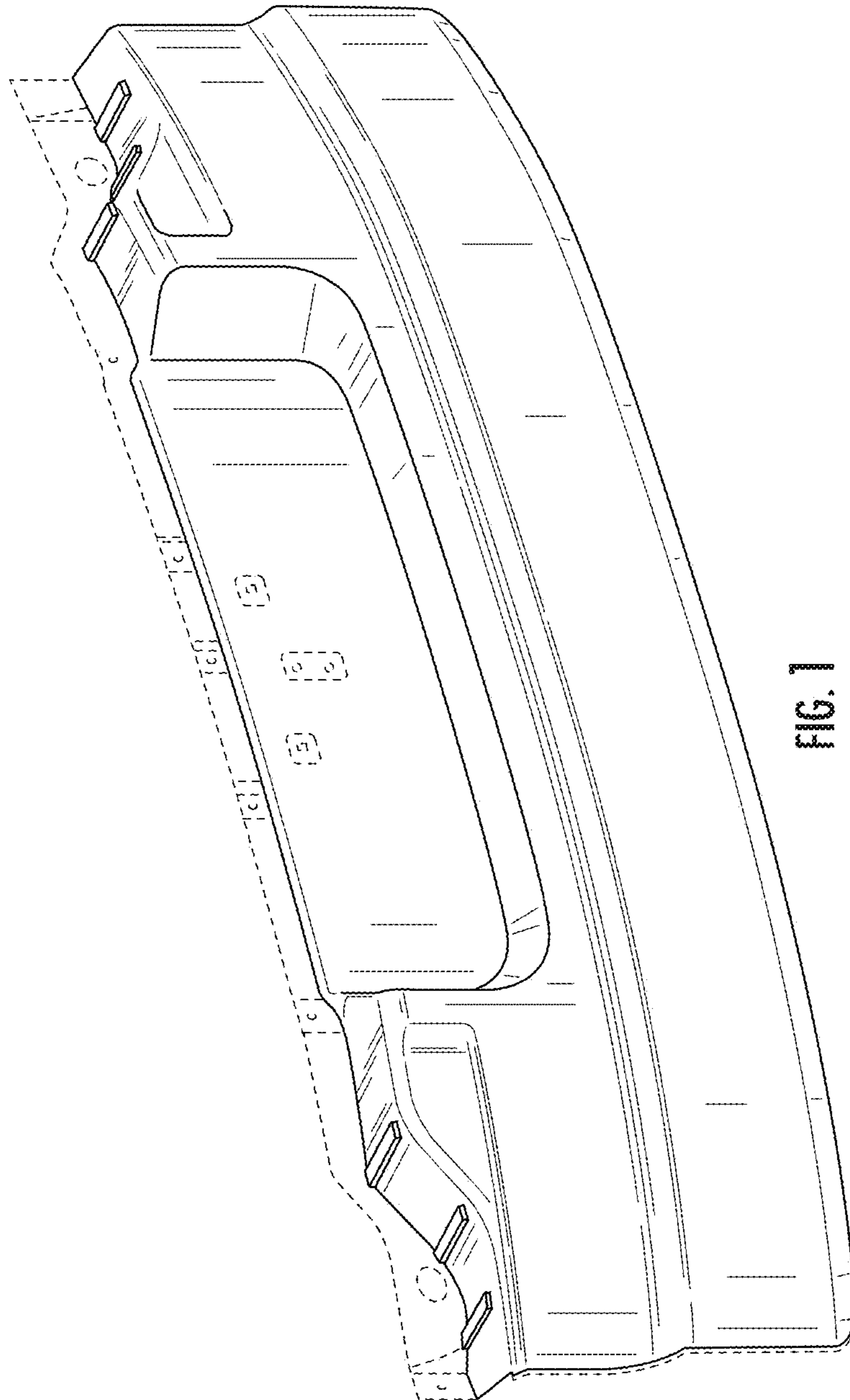


FIG. 1

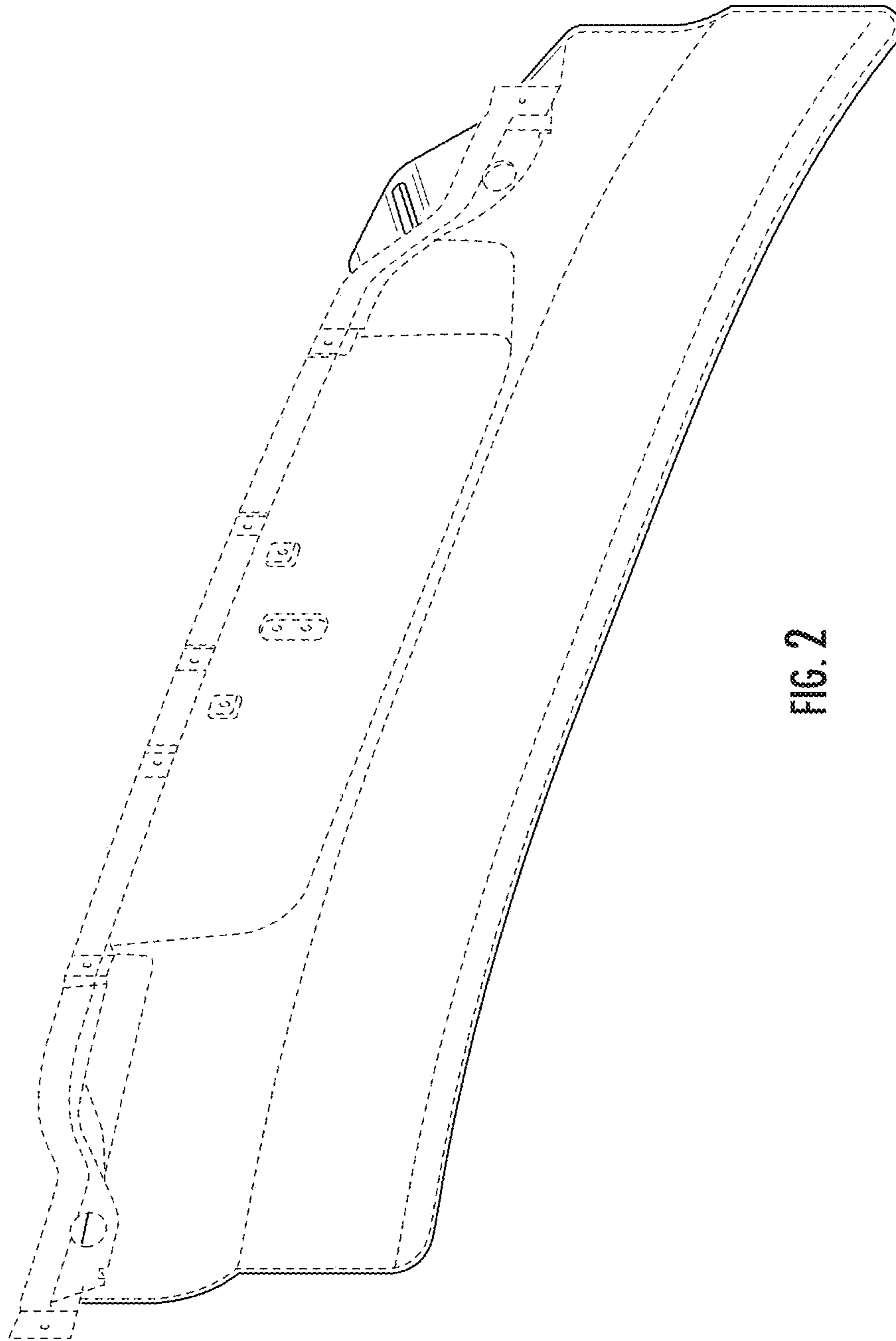


FIG. 2

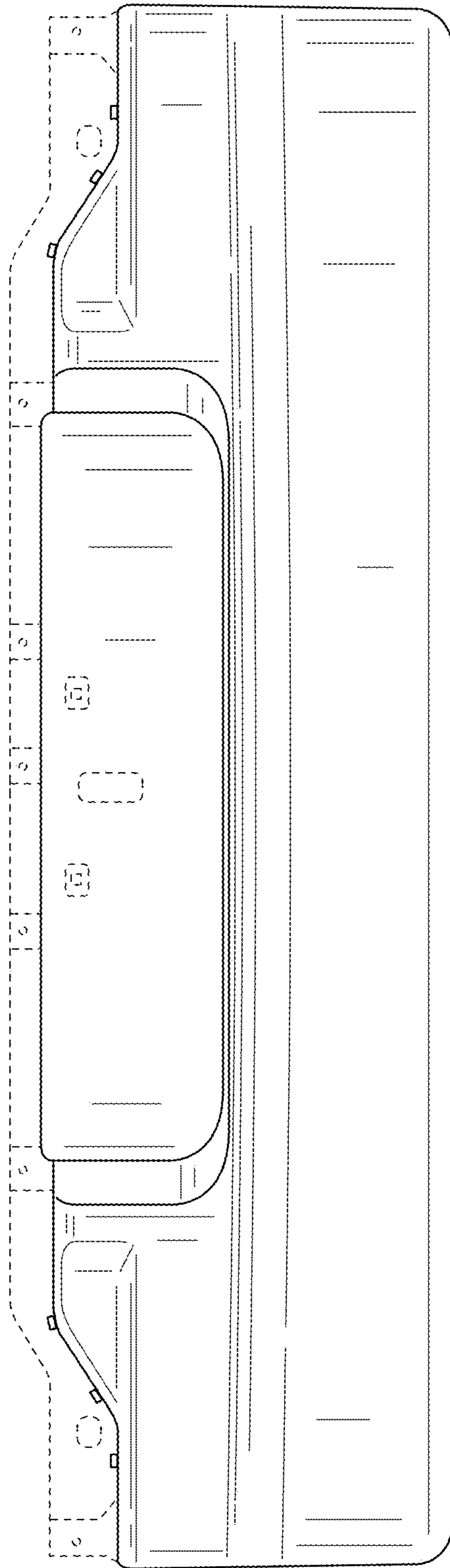


FIG. 3

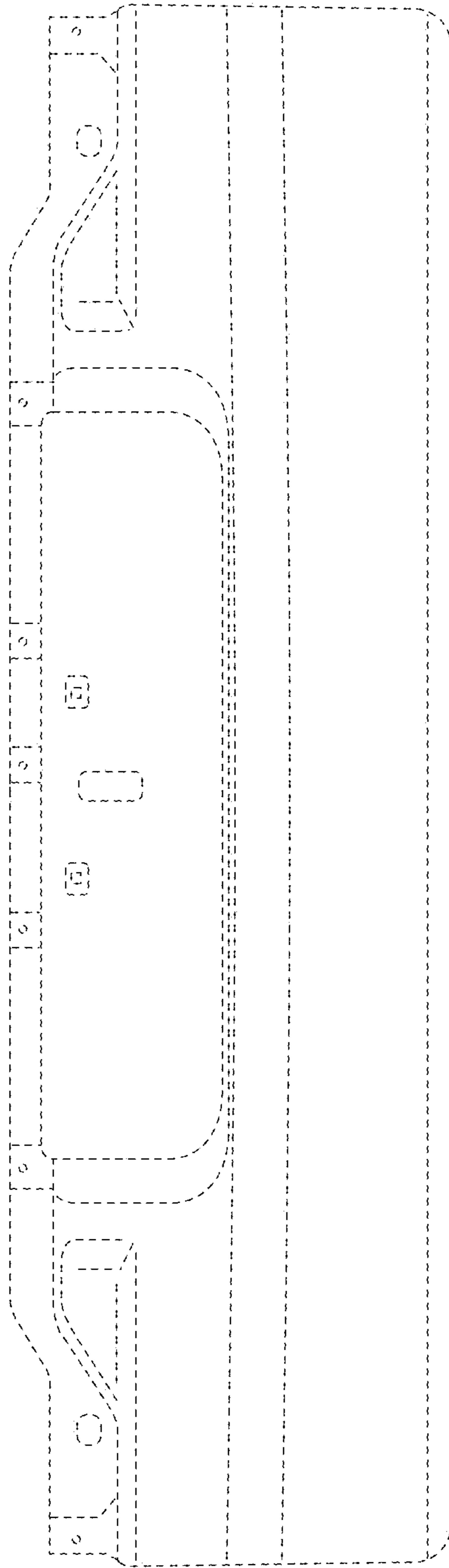


FIG. 4

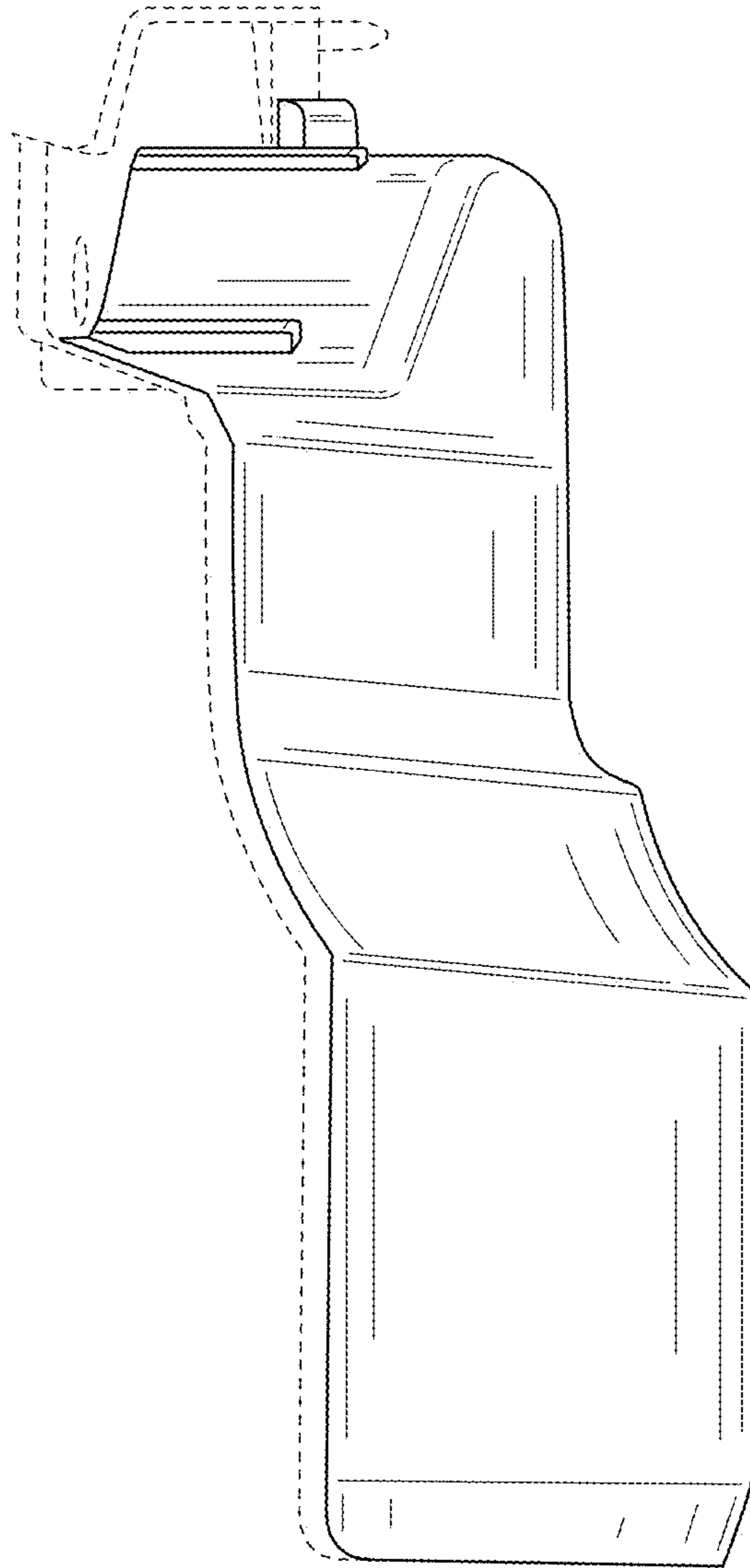


FIG. 5

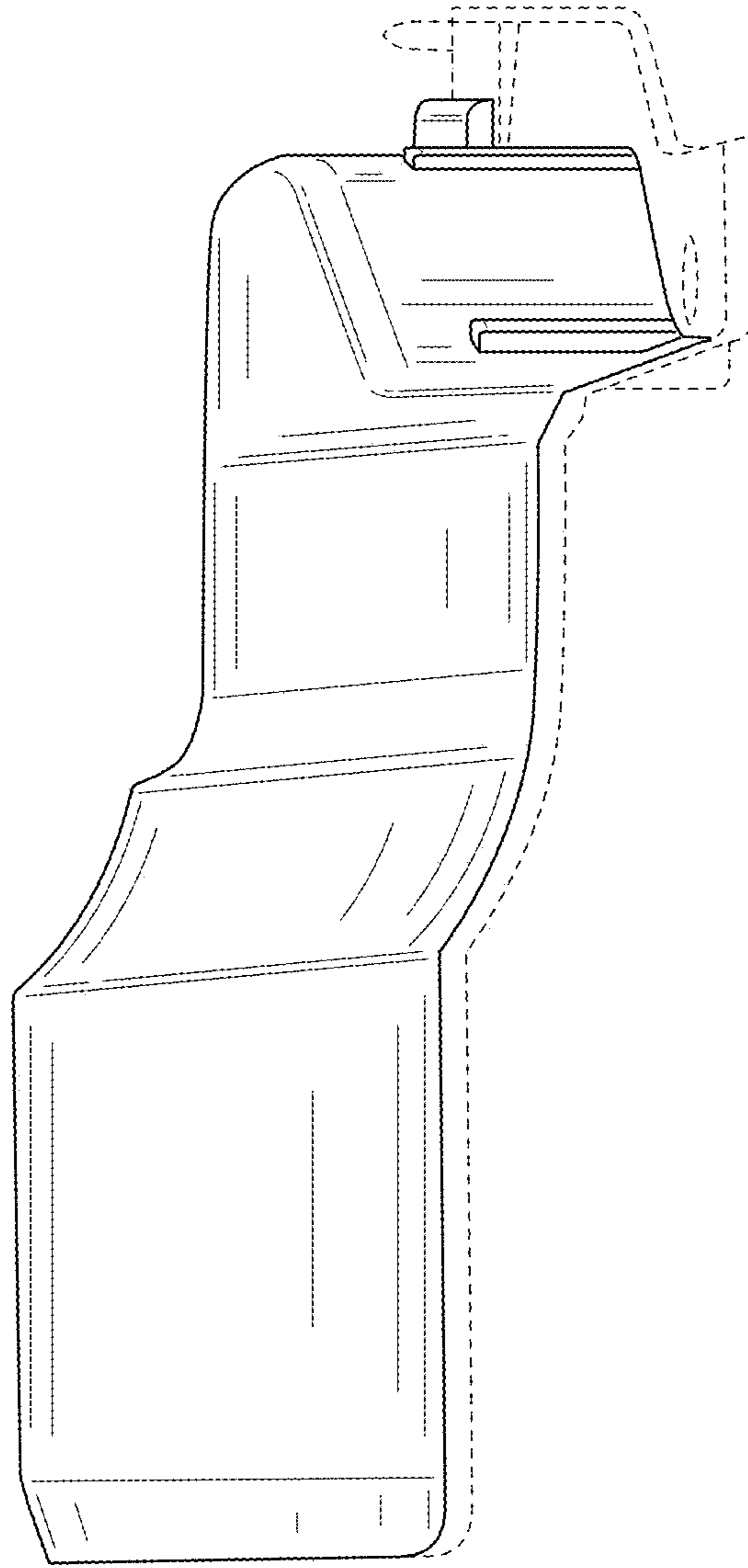


FIG. 6

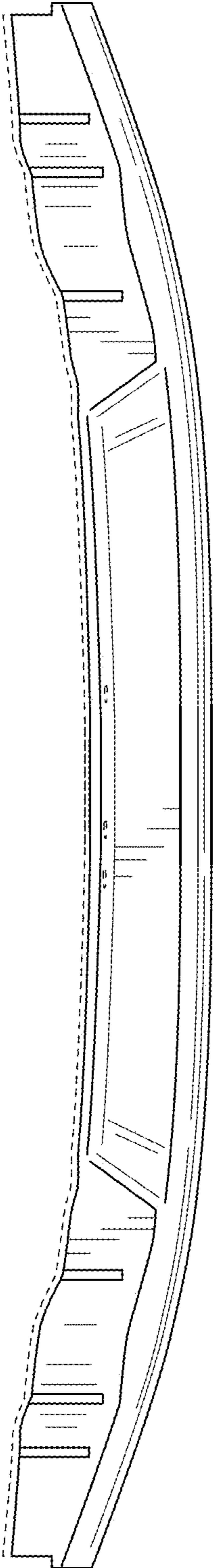


FIG. 7

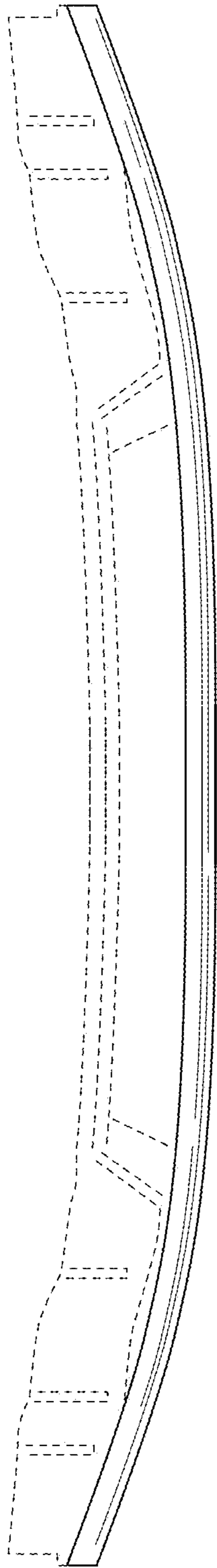


FIG. 8