



US00D972996S

(12) **United States Design Patent** (10) **Patent No.:** **US D972,996 S**  
**Pérot** (45) **Date of Patent:** **\*\* Dec. 20, 2022**

(54) **VEHICLE INSTRUMENT PANEL**  
(71) Applicant: **Polestar Performance AB**, Gothenburg (SE)  
(72) Inventor: **Benjamin Pérot**, Gothenburg (SE)  
(73) Assignee: **Polestar Performance AB**, Gothenburg (SE)

(\*\*) Term: **15 Years**  
(21) Appl. No.: **29/746,612**  
(22) Filed: **Aug. 14, 2020**

(30) **Foreign Application Priority Data**  
Feb. 14, 2020 (EM) ..... 007694435-0007  
(51) **LOC (13) Cl.** ..... **12-16**  
(52) **U.S. Cl.**  
USPC ..... **D12/192**  
(58) **Field of Classification Search**  
USPC .... D12/86, 90-92, 114, 163, 167, 169-170,  
D12/174, 175, 192, 196, 216, 345, 415;  
D14/126-129, 133, 373, 374, 388, 389;  
D15/17, 28, 14, 15, 22-26, 31, 33  
CPC .... B60R 7/04; B60R 7/06; B60R 7/08; B60K  
37/00; B60K 37/02; B60K 37/04; B60K  
37/06  
See application file for complete search history.

(56) **References Cited**  
**U.S. PATENT DOCUMENTS**  
D826,813 S \* 8/2018 Carr ..... D12/192  
D826,814 S \* 8/2018 Von Holzhausen ..... D12/192  
D840,305 S \* 2/2019 Chang ..... D12/192

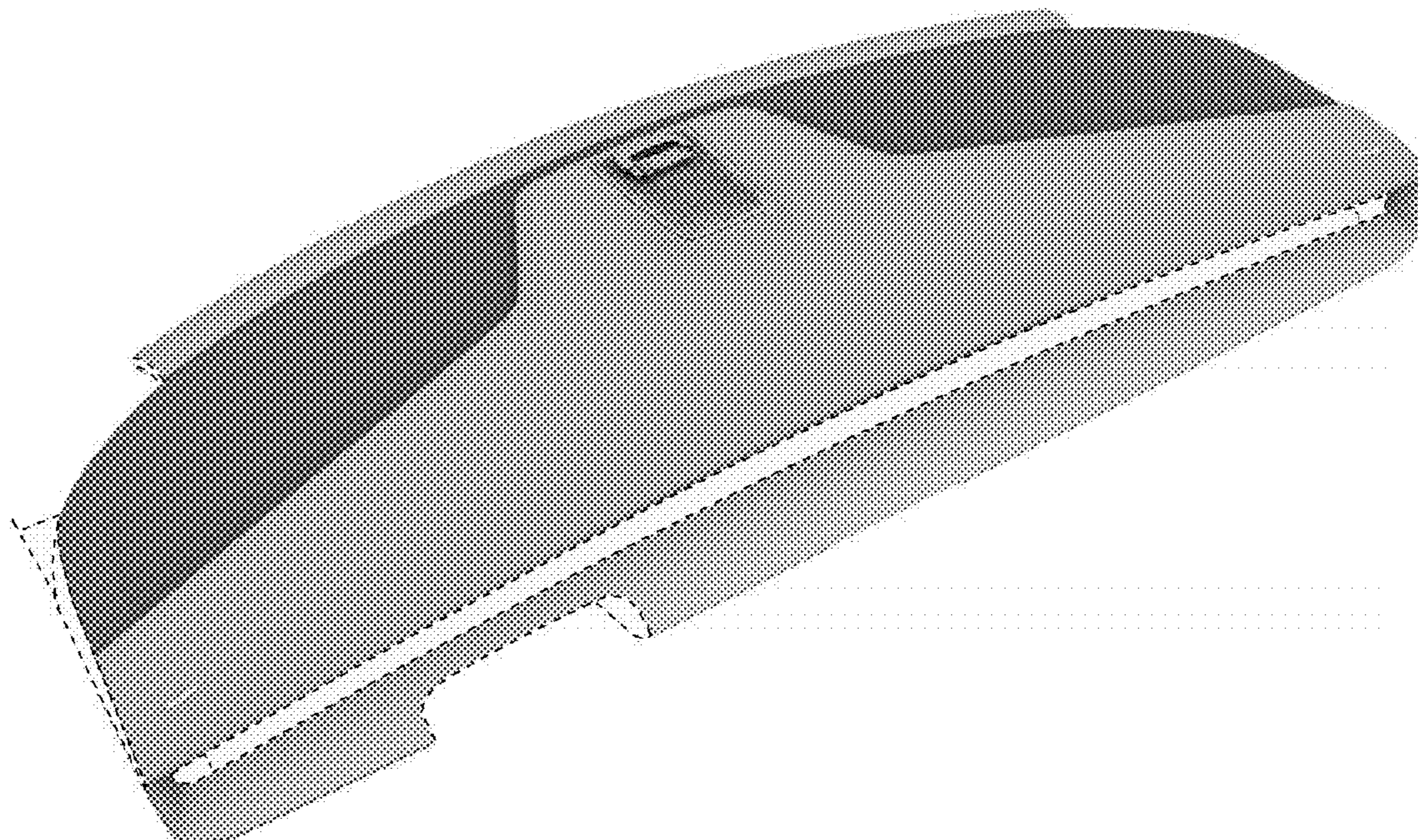
D844,515 S \* 4/2019 Webber ..... D12/192  
D860,892 S \* 9/2019 Ohmori ..... D12/192  
D863,167 S \* 10/2019 Moir ..... D12/192  
D864,066 S \* 10/2019 Ray ..... D12/192  
D864,815 S \* 10/2019 Ray ..... D12/192  
D874,371 S \* 2/2020 Buffery ..... D12/192  
D877,012 S \* 3/2020 Ali ..... D12/192  
D889,340 S \* 7/2020 Lun ..... D12/192  
D893,373 S \* 8/2020 Selipanov ..... D12/192  
D903,560 S \* 12/2020 Takamura ..... D12/192  
D909,940 S \* 2/2021 Roo-Clefas ..... D12/192

\* cited by examiner  
*Primary Examiner* — Susan E Krakower  
*Assistant Examiner* — Jerry Shiuan-Hua Hsu  
(74) *Attorney, Agent, or Firm* — Patterson Thuent IP

(57) **CLAIM**  
I claim the ornamental design for a vehicle instrument panel, as shown and described.

**DESCRIPTION**  
FIG. 1 is a front left perspective view of a vehicle instrument panel, showing my new design.  
FIG. 2 is a front right perspective view thereof.  
FIG. 3 is a front view thereof.  
FIG. 4 is a left side view thereof.  
FIG. 5 is a top view thereof.  
FIG. 6 is a right side view thereof.  
FIG. 7 is a rear view thereof; and,  
FIG. 8 is a bottom view thereof.  
The broken lines illustrate portions of the vehicle instrument panel that form no part of the claimed design.  
Portions of the vehicle instrument panel interior to broken lines are shown in de-emphasized, reduced tonal value that form no part of the claimed design.

**1 Claim, 8 Drawing Sheets**



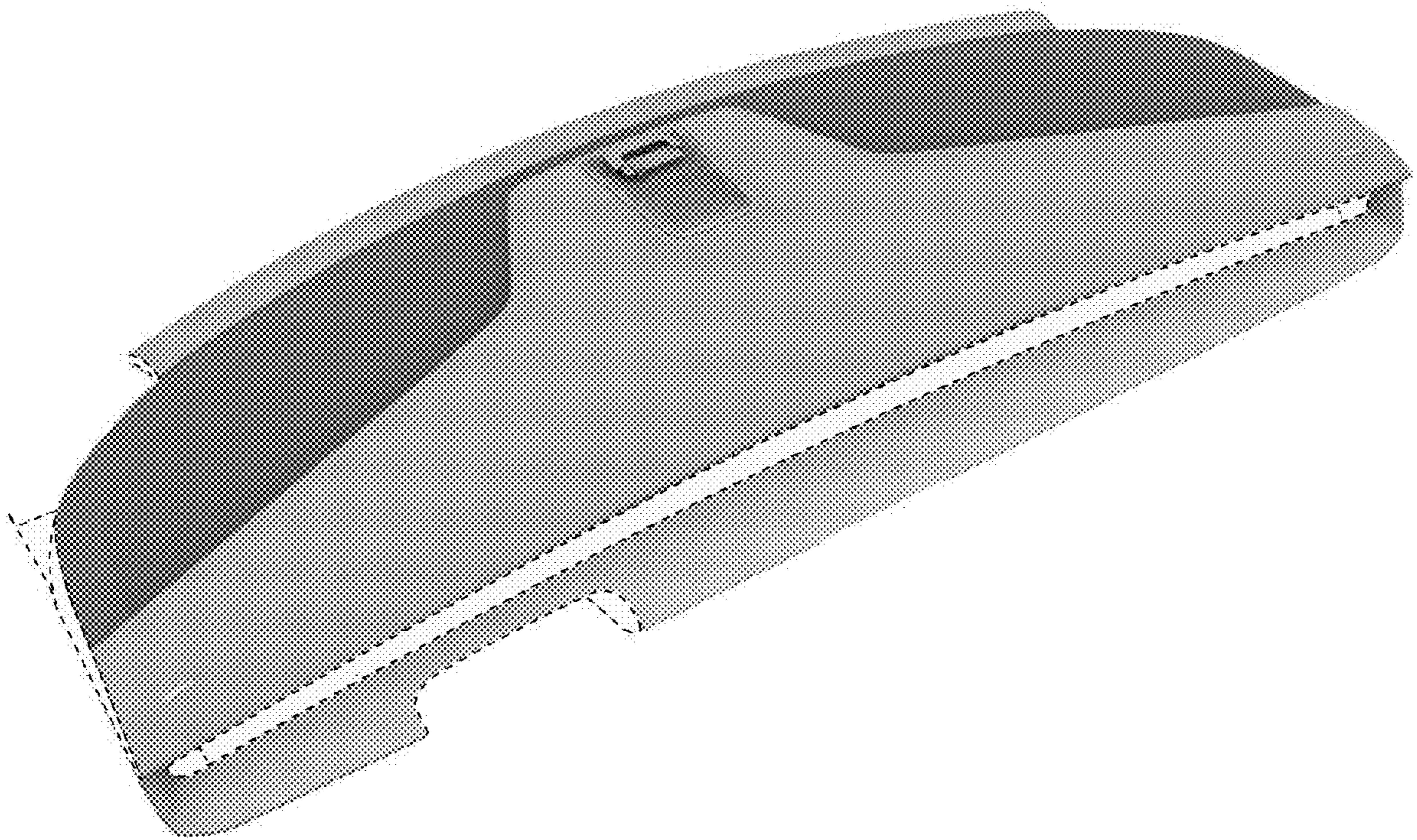


FIG. 1

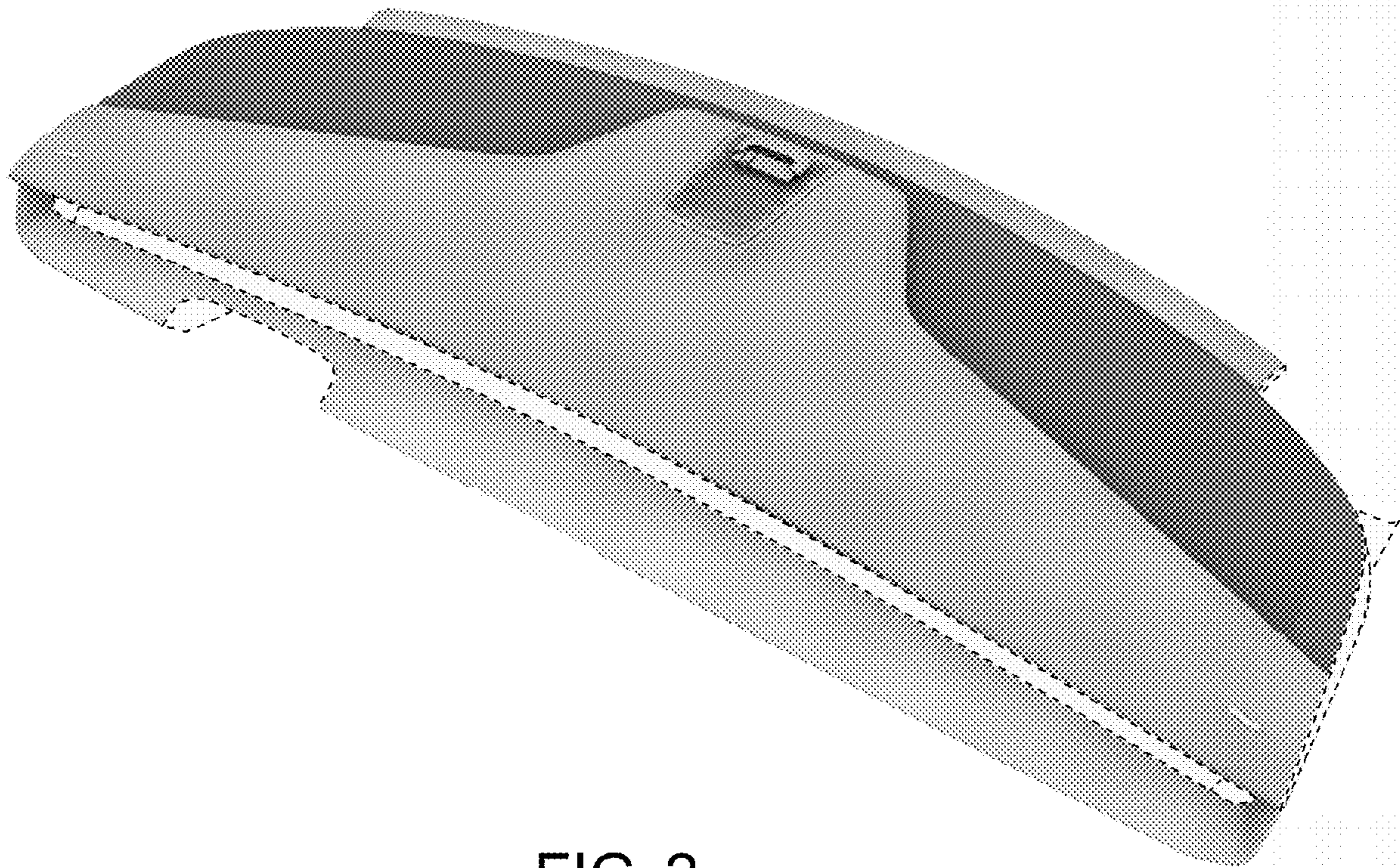


FIG. 2

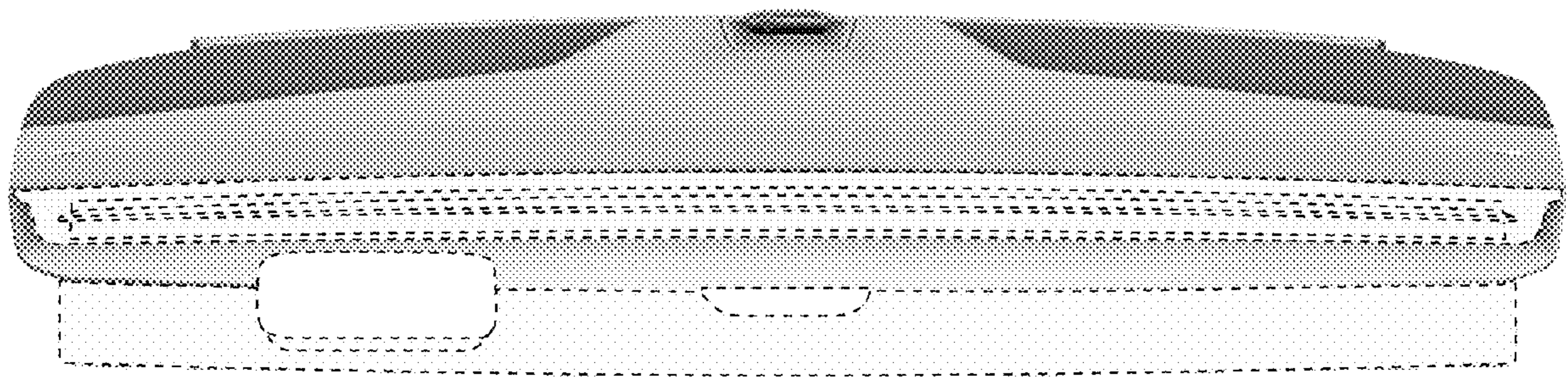


FIG. 3

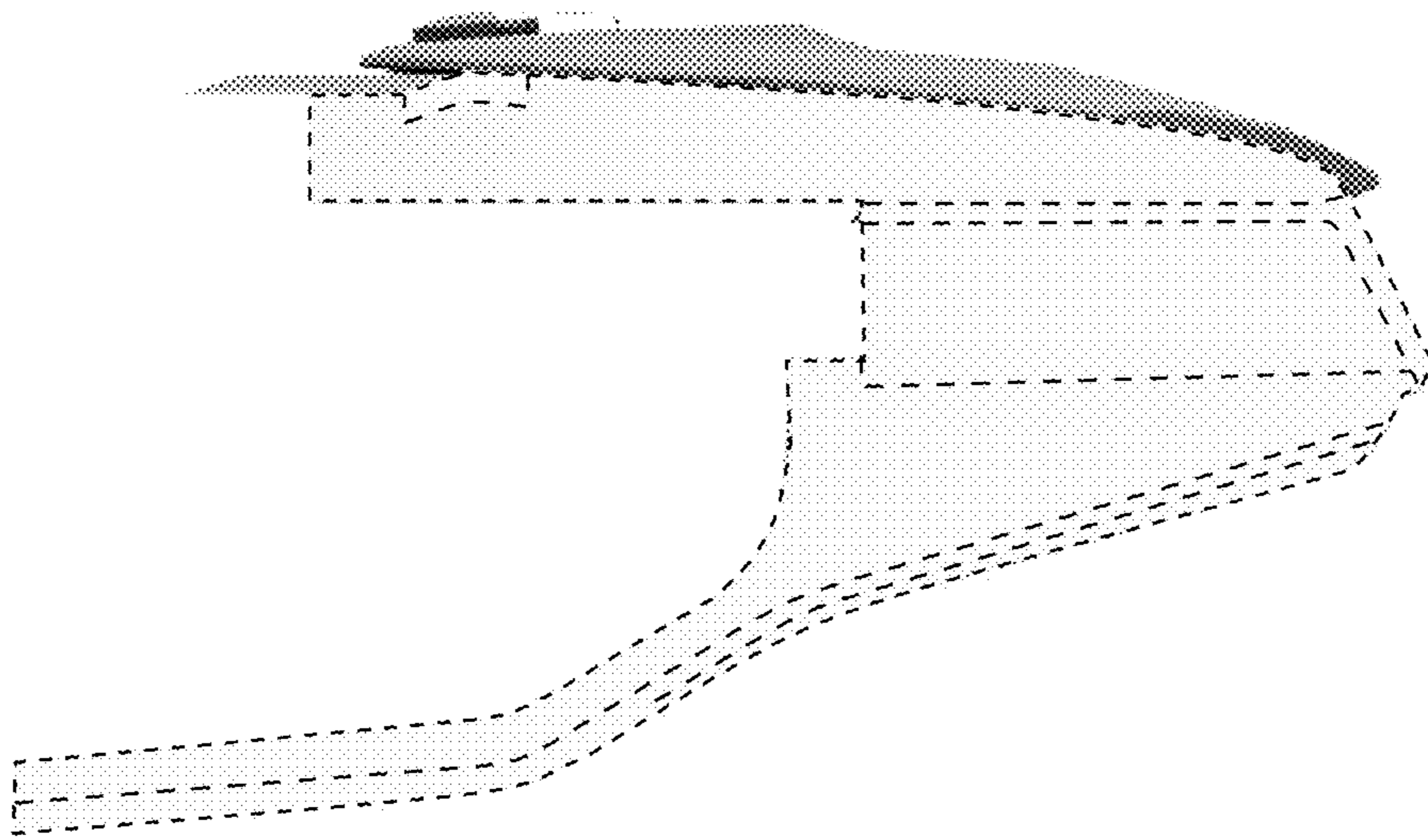


FIG. 4

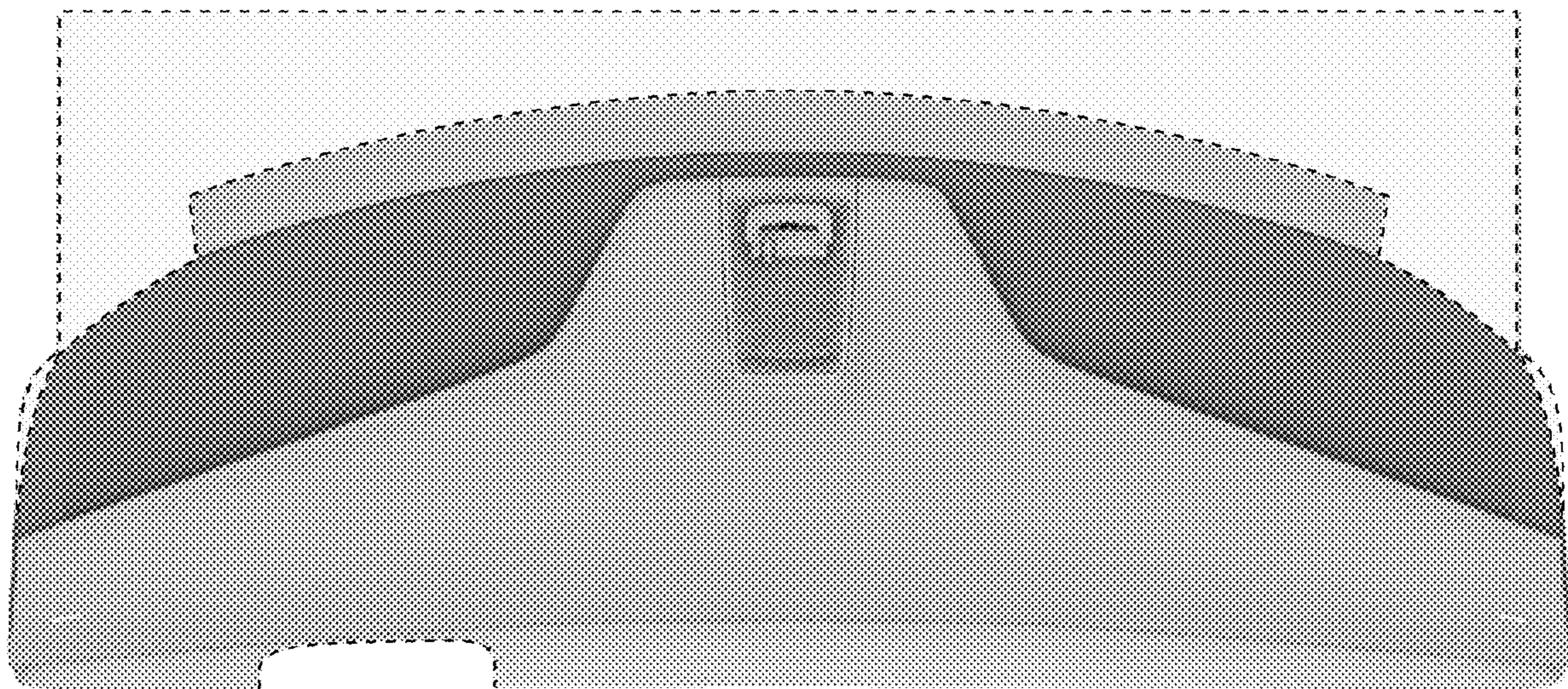


FIG. 5

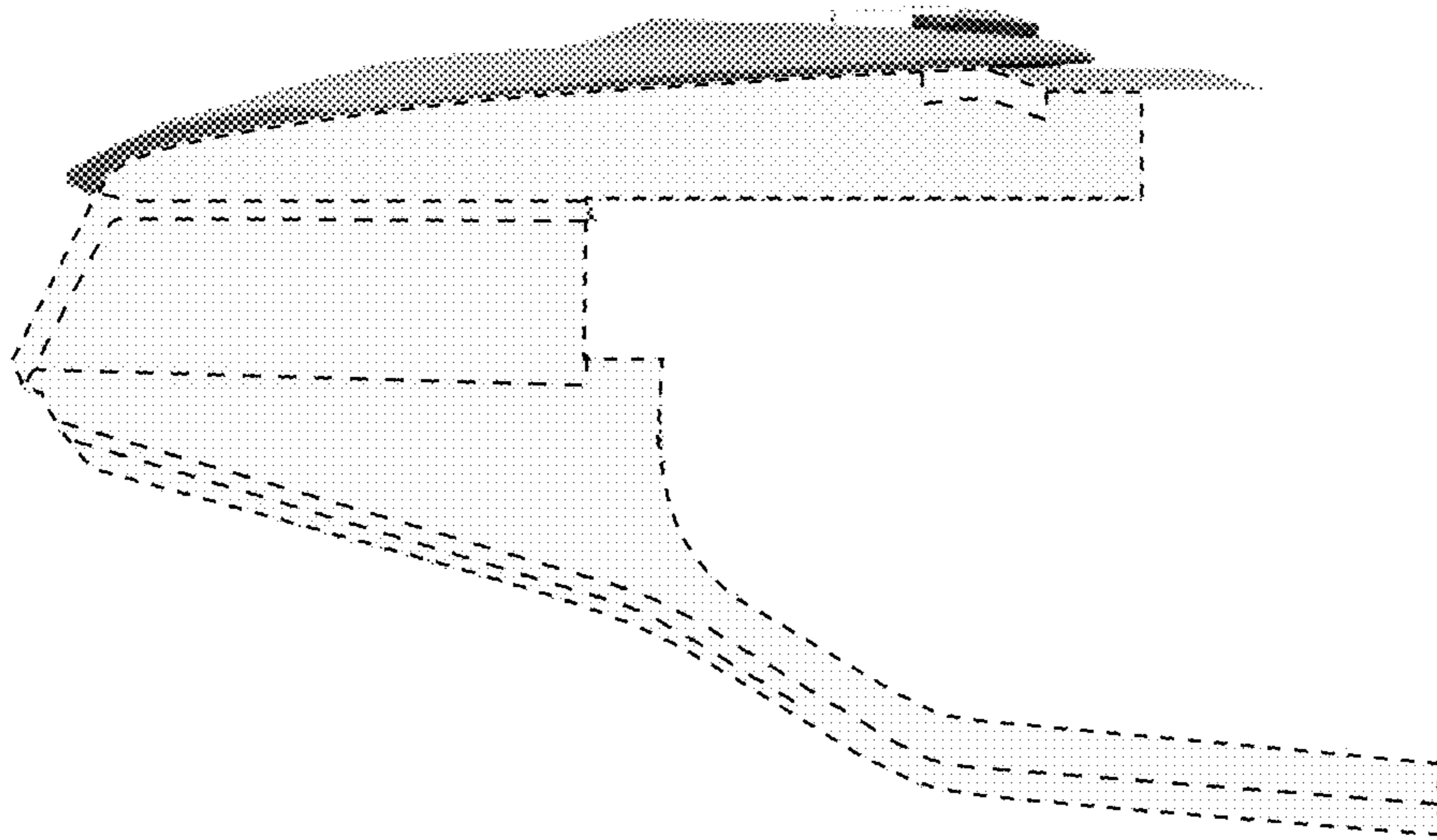


FIG. 6

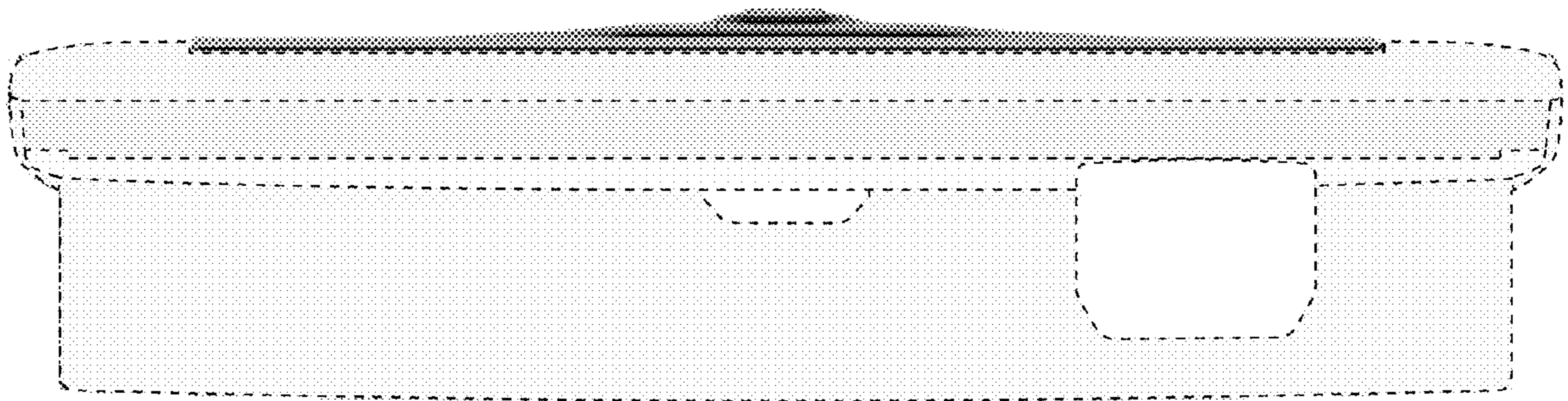


FIG. 7



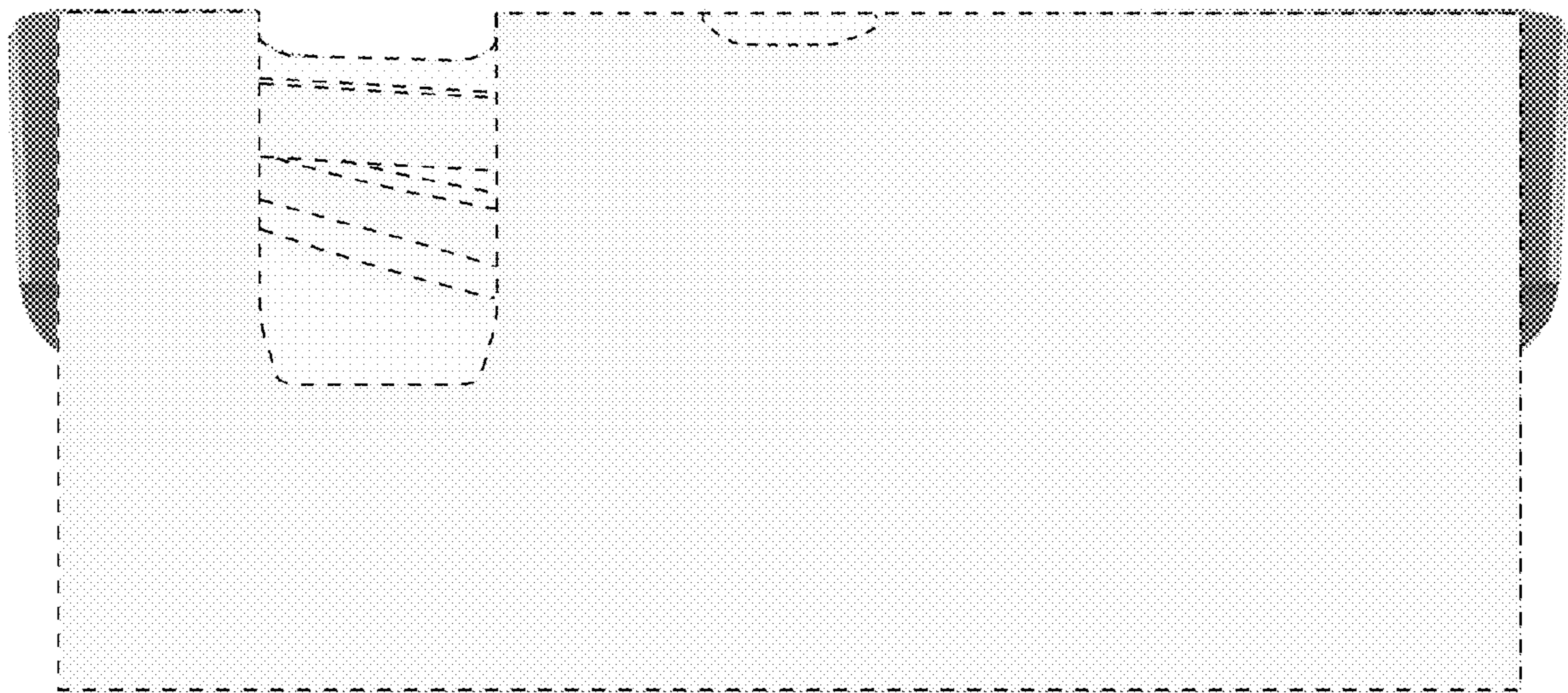


FIG. 8