



US00D972995S

(12) **United States Design Patent**
Chen et al.

(10) **Patent No.:** **US D972,995 S**

(45) **Date of Patent:** **** Dec. 20, 2022**

(54) **REARVIEW MIRROR**

(71) Applicant: **CHRIS CAM INDUSTRY INC.**,
Tainan (TW)

(72) Inventors: **Cheng-Chung Chen**, Tainan (TW);
Hung-Lung Chen, Tainan (TW)

(73) Assignee: **Chris Cam Industry Inc.**, Tainan (TW)

(**) Term: **15 Years**

(21) Appl. No.: **29/776,917**

(22) Filed: **Apr. 1, 2021**

(51) **LOC (13) Cl.** **12-16**

(52) **U.S. Cl.**
USPC **D12/187**

(58) **Field of Classification Search**
USPC D6/300, 309; D12/187, 188, 189
CPC G02B 7/18; G02B 7/182; B60R 1/076
See application file for complete search history.

(56) **References Cited**

U.S. PATENT DOCUMENTS

D603,774 S	*	11/2009	Chen	D12/187
D631,805 S	*	2/2011	Chen	D12/187
D644,151 S	*	8/2011	Chen	D12/187
D662,014 S	*	6/2012	Chen	D12/187
D716,206 S	*	10/2014	Thole	D12/187
D718,197 S	*	11/2014	Chen	D12/187
D782,379 S	*	3/2017	Wassell	D12/187

D802,502 S	*	11/2017	McMahan	D12/187
D804,378 S	*	12/2017	Perkins	D12/187
D809,442 S	*	2/2018	Zipfel	D12/187
D855,523 S	*	8/2019	Perkins	D12/187
D889,339 S	*	7/2020	Chen	D12/187
D906,203 S	*	12/2020	Chen	D12/187

* cited by examiner

Primary Examiner — Susan E Krakower

Assistant Examiner — Jerry Shiuan-Hua Hsu

(74) *Attorney, Agent, or Firm* — Rosenberg, Klein & Lee

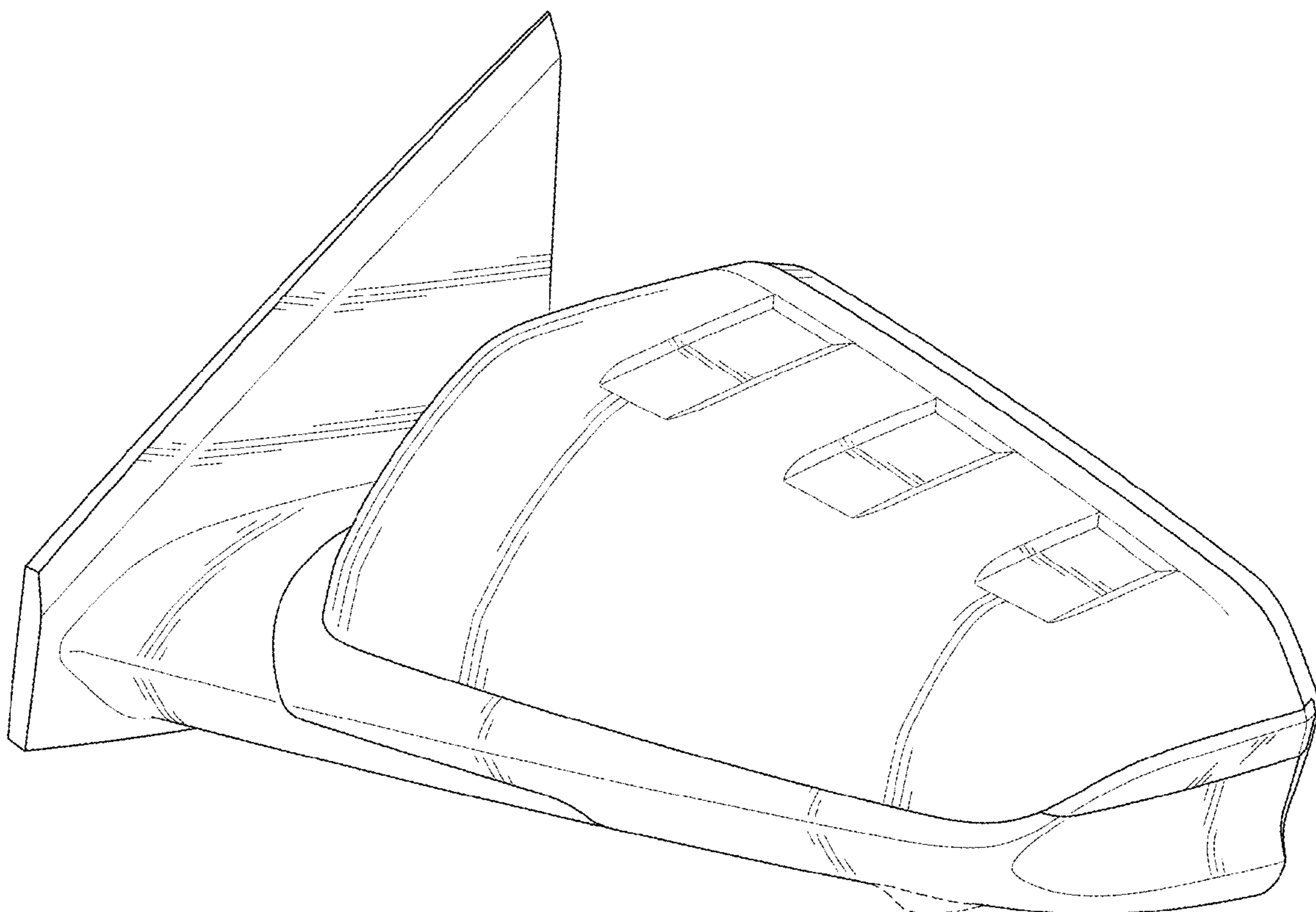
(57) **CLAIM**

The ornamental design for a rearview mirror, as shown and described.

DESCRIPTION

FIG. 1 is a perspective view of a rearview mirror showing our new design;
FIG. 2 is a front elevational view thereof;
FIG. 3 is a rear elevational view thereof;
FIG. 4 is a left side elevational view thereof;
FIG. 5 is a right side elevational view thereof;
FIG. 6 is a top plan view thereof; and,
FIG. 7 is a bottom plan view thereof.
The broken lines shown in the figures illustrate portions of the rearview mirror that form no part of the claimed design.

1 Claim, 7 Drawing Sheets



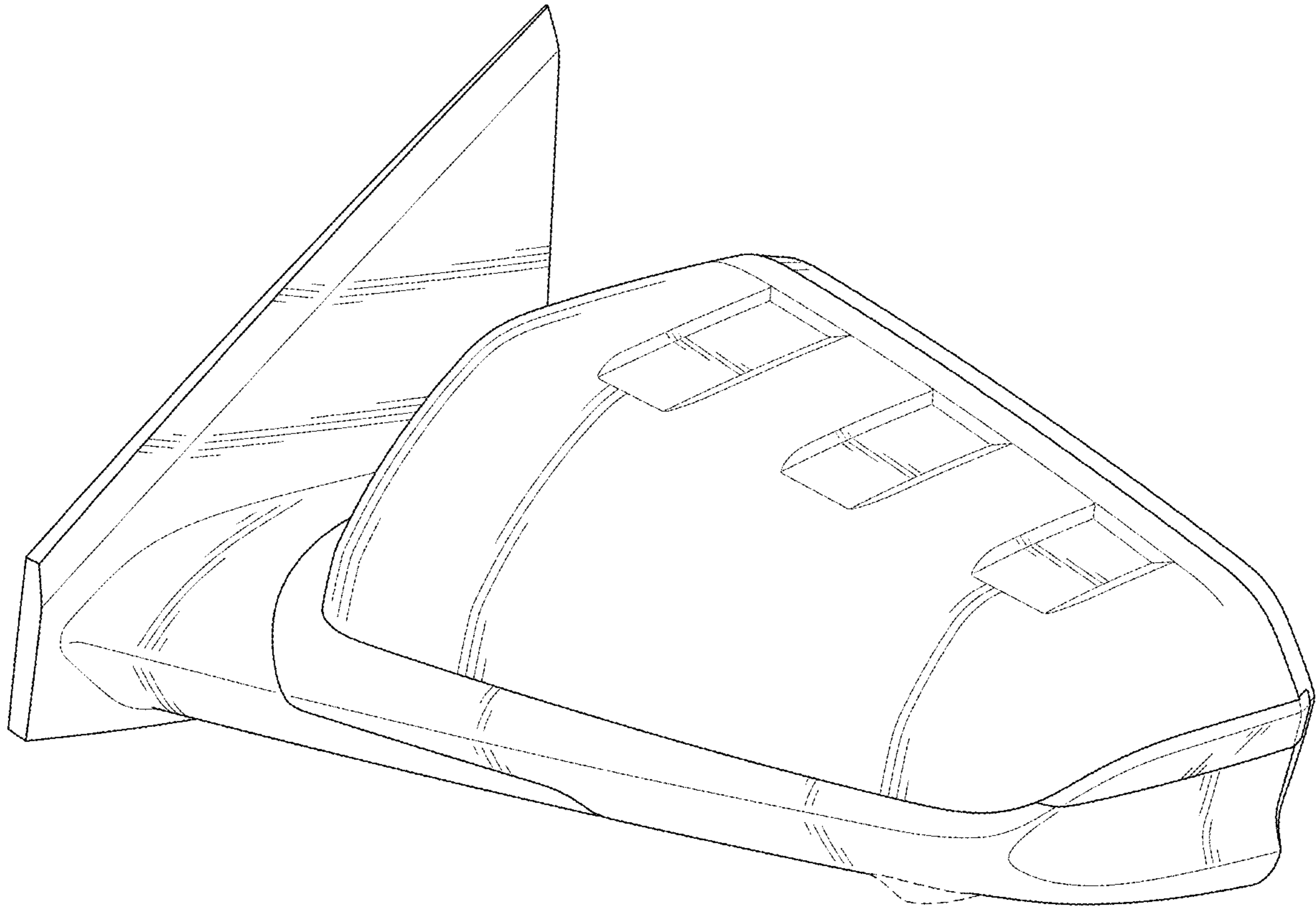


FIG. 1

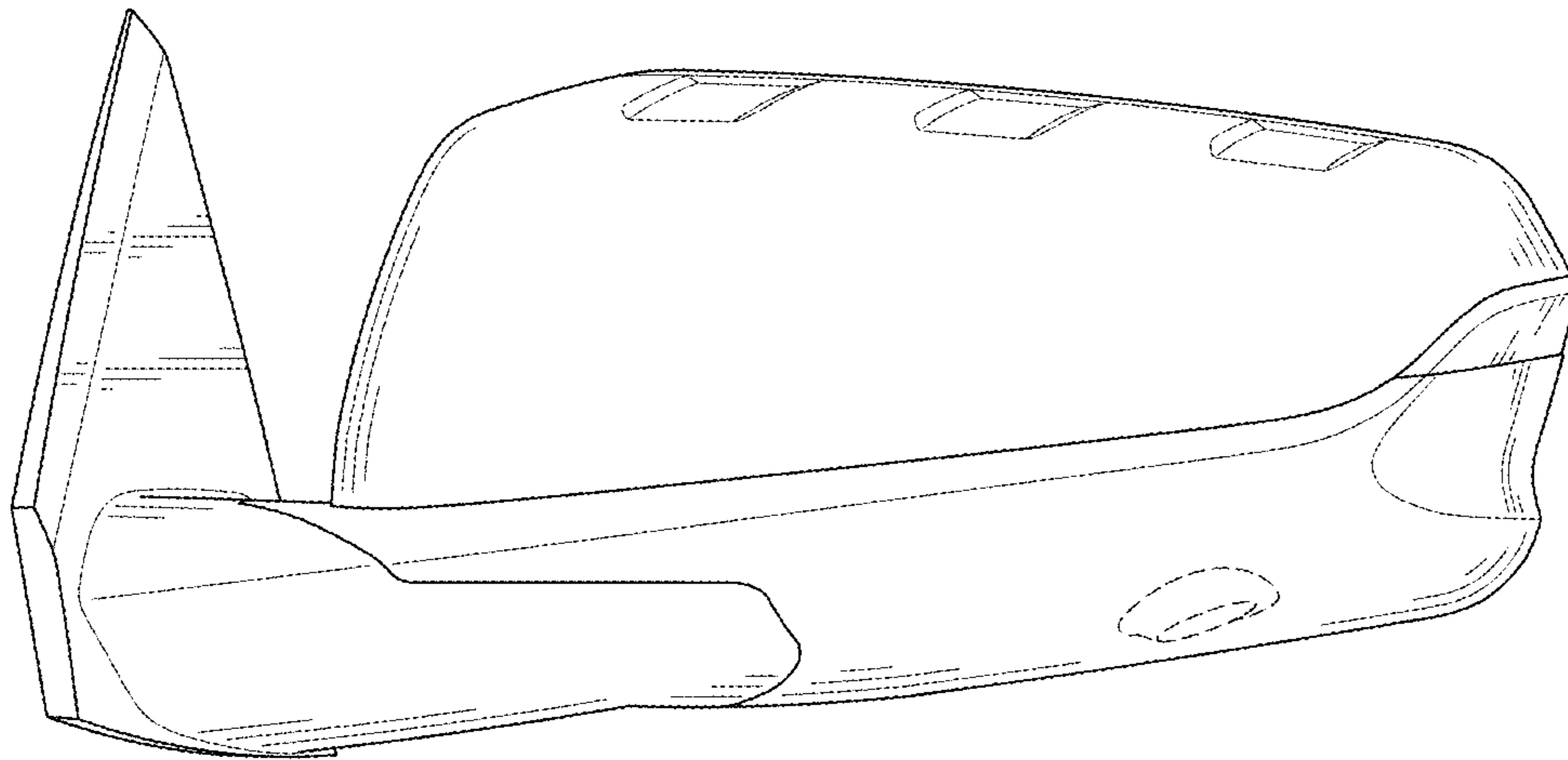


FIG. 2

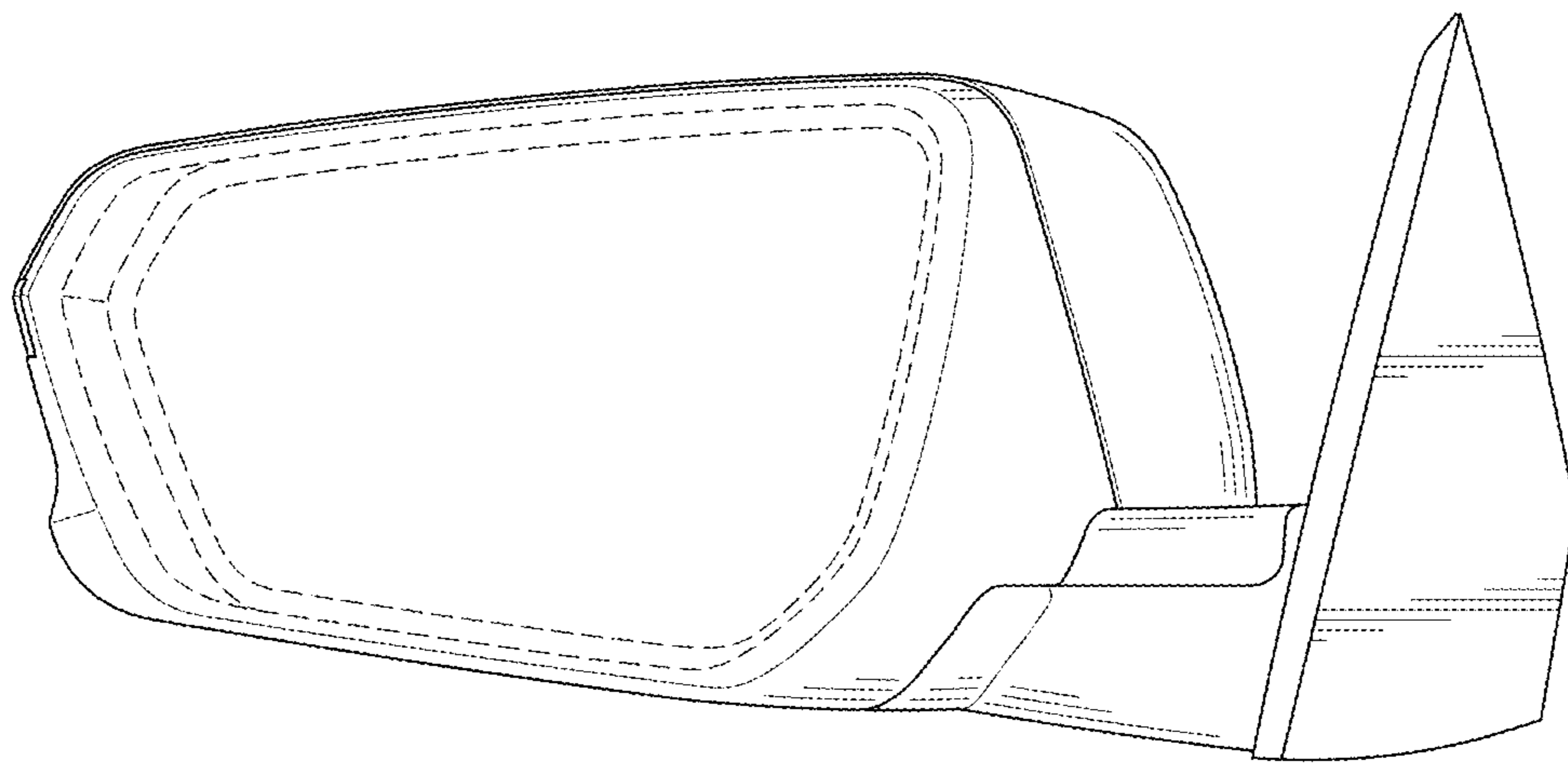


FIG. 3

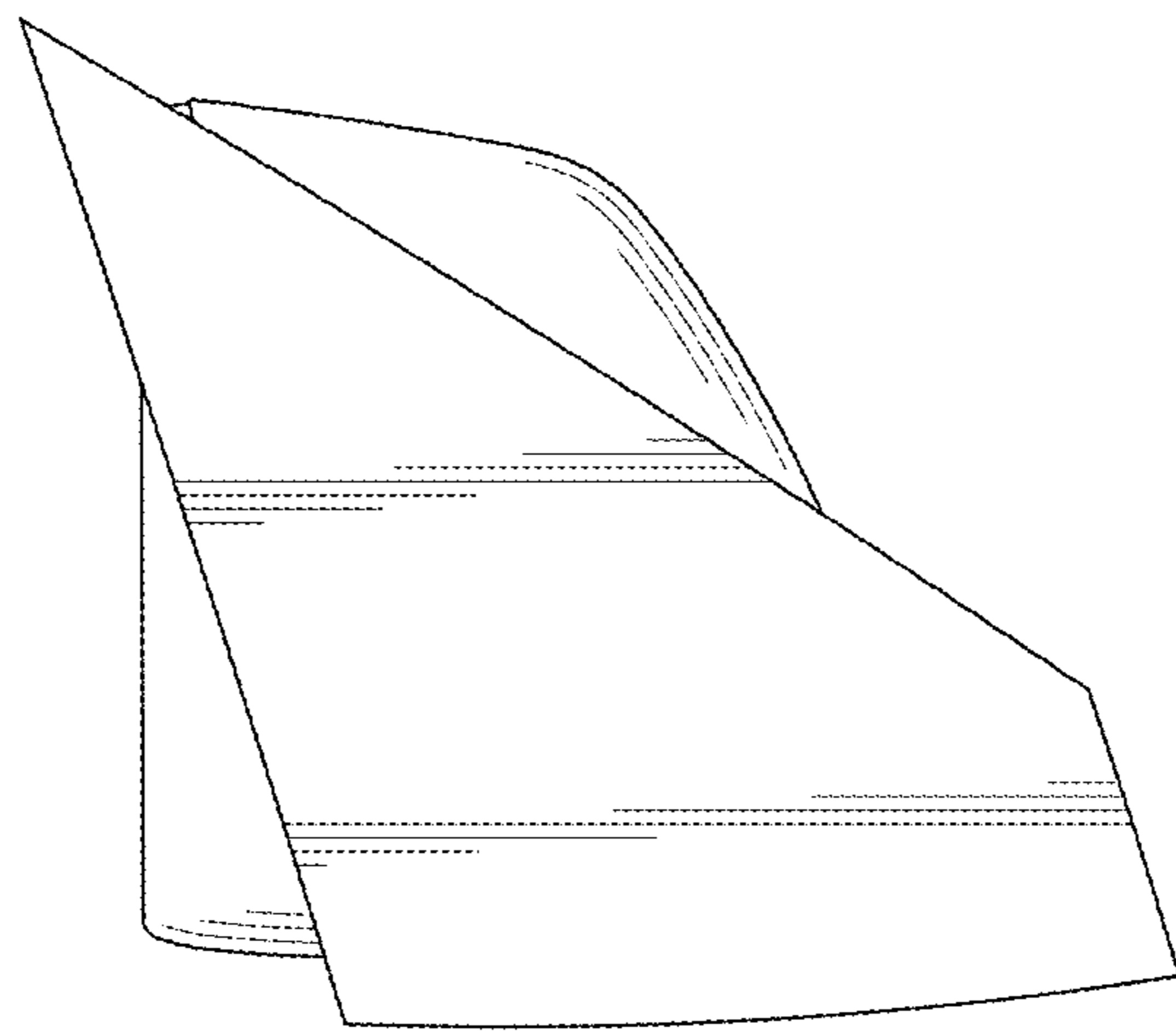


FIG. 4

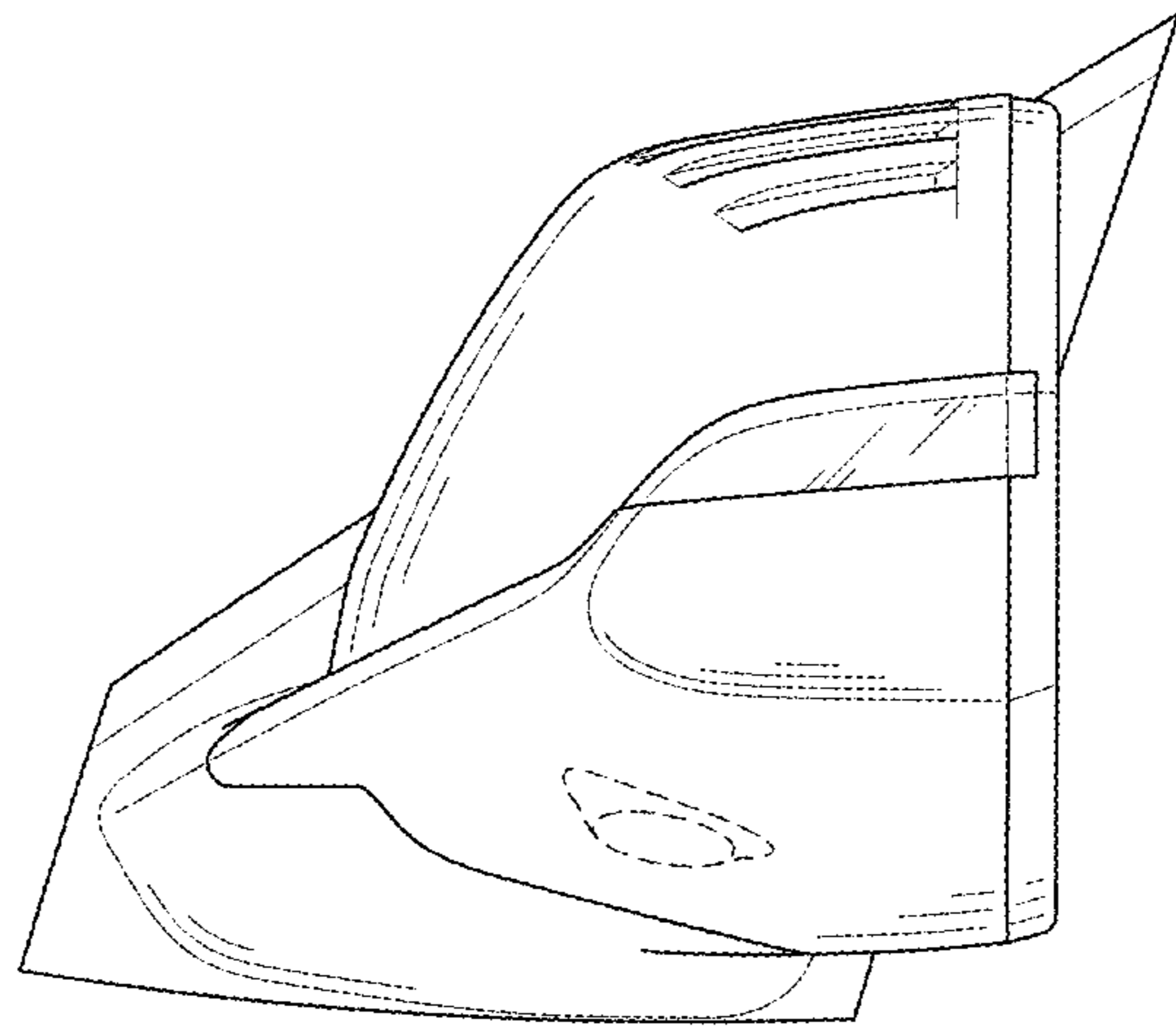


FIG. 5

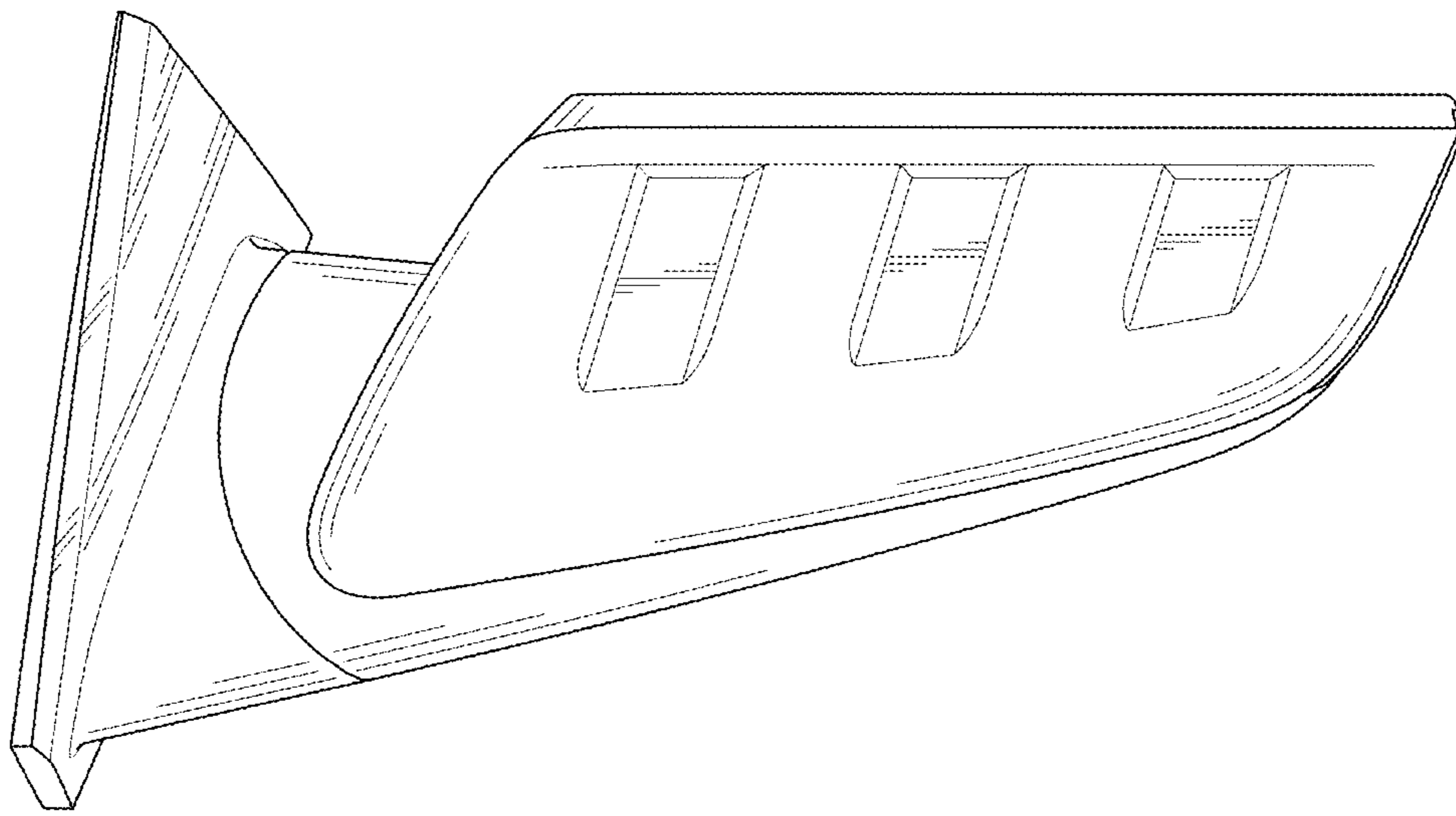


FIG. 6

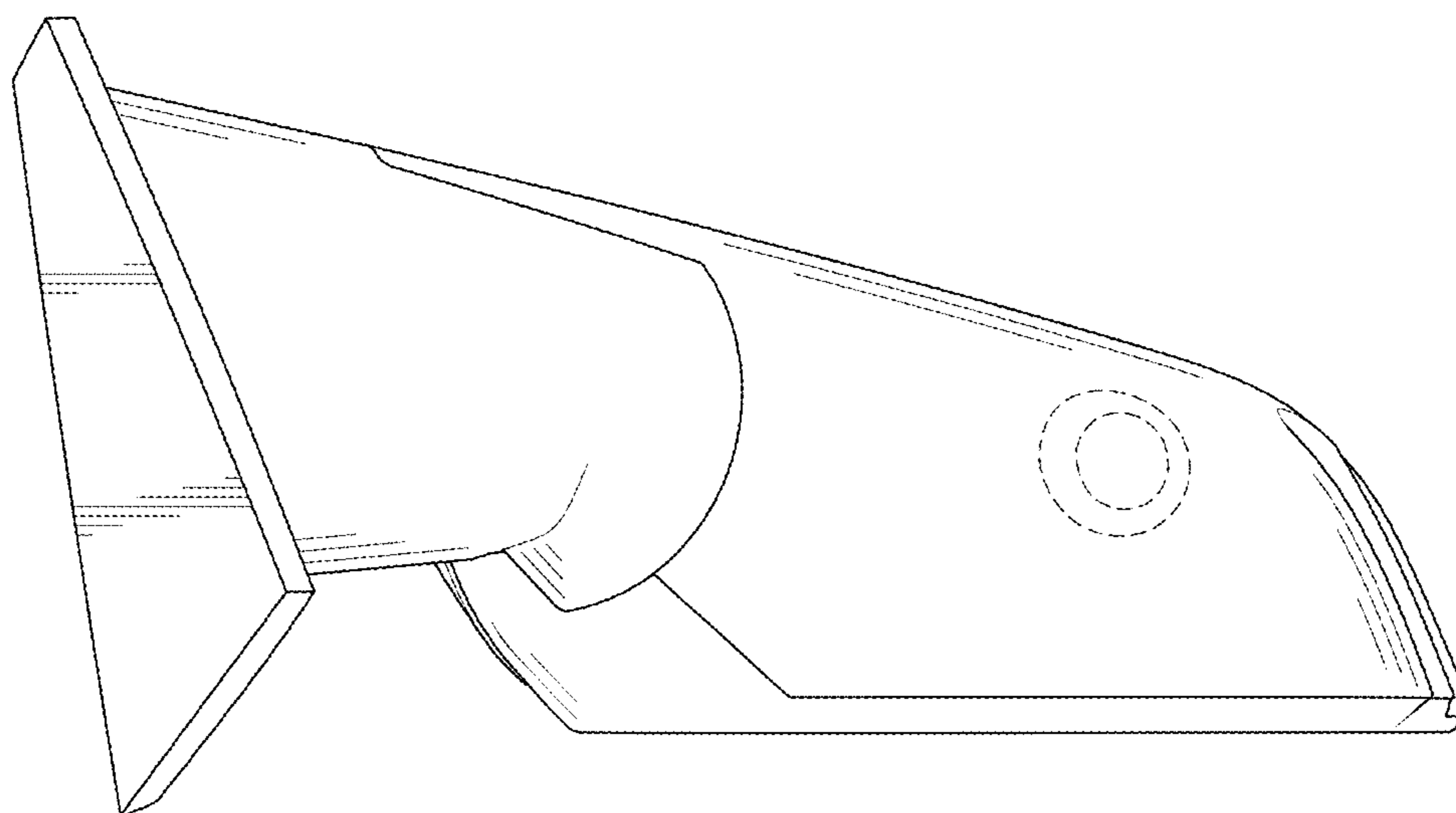


FIG. 7