



US00D972988S

(12) **United States Design Patent**
Okamoto

(10) **Patent No.:** **US D972,988 S**

(45) **Date of Patent:** **** Dec. 20, 2022**

(54) **REAR BUMPER FOR AN AUTOMOBILE**

(71) Applicant: **TOYOTA JIDOSHA KABUSHIKI KAISHA**, Toyota (JP)

(72) Inventor: **Shogo Okamoto**, Toyota (JP)

(73) Assignee: **TOYOTA JIDOSHA KABUSHIKI KAISHA**, Toyota (JP)

(**) Term: **15 Years**

(21) Appl. No.: **29/785,832**

(22) Filed: **May 27, 2021**

(30) **Foreign Application Priority Data**

Nov. 30, 2020 (JP) 2020-025693 D

(51) **LOC (13) Cl.** **12-16**

(52) **U.S. Cl.**
USPC **D12/169**

(58) **Field of Classification Search**
USPC D12/163, 196, 86, 90-92, 169, 190, 98,
D12/164; 293/102, 113, 115, 117, 120,
293/193.11; 296/180.1, 180.2
CPC B60R 19/02; B60R 19/04; B62D 25/08
See application file for complete search history.

(56) **References Cited**

U.S. PATENT DOCUMENTS

D856,223 S * 8/2019 Thogersen D12/169
D856,224 S * 8/2019 Nissl D12/169
D856,870 S * 8/2019 Nakajima D12/169
D866,418 S * 11/2019 Peplowski D12/169
D867,234 S * 11/2019 Peplowski D12/169

D871,279 S * 12/2019 Tonello D12/169
D890,651 S * 7/2020 Peplowski D12/169
D911,230 S * 2/2021 Wietzychowski D12/169
D927,373 S * 8/2021 Lim D12/169
D931,161 S * 9/2021 Forrest D12/169
D931,162 S * 9/2021 Forrest D12/169
D938,867 S * 12/2021 Becker D12/169

OTHER PUBLICATIONS

netcarshow.com, Lexus NX (2018), <<https://www.netcarshow.com/lexus/2018-nx/>>, available as early as Mar. 16, 2020.
netcarshow.com, BMW X3 (2018), <<https://www.netcarshow.com/bmw/2018-x3/>>, available as early as Mar. 16, 2020.
netcarshow.com, Audi Q5 (2017), <<https://www.netcarshow.com/audi/2017-q5/>>, available as early as Mar. 16, 2020.

* cited by examiner

Primary Examiner — Melody N Brown

(74) *Attorney, Agent, or Firm* — Saidman DesignLaw Group, LLC

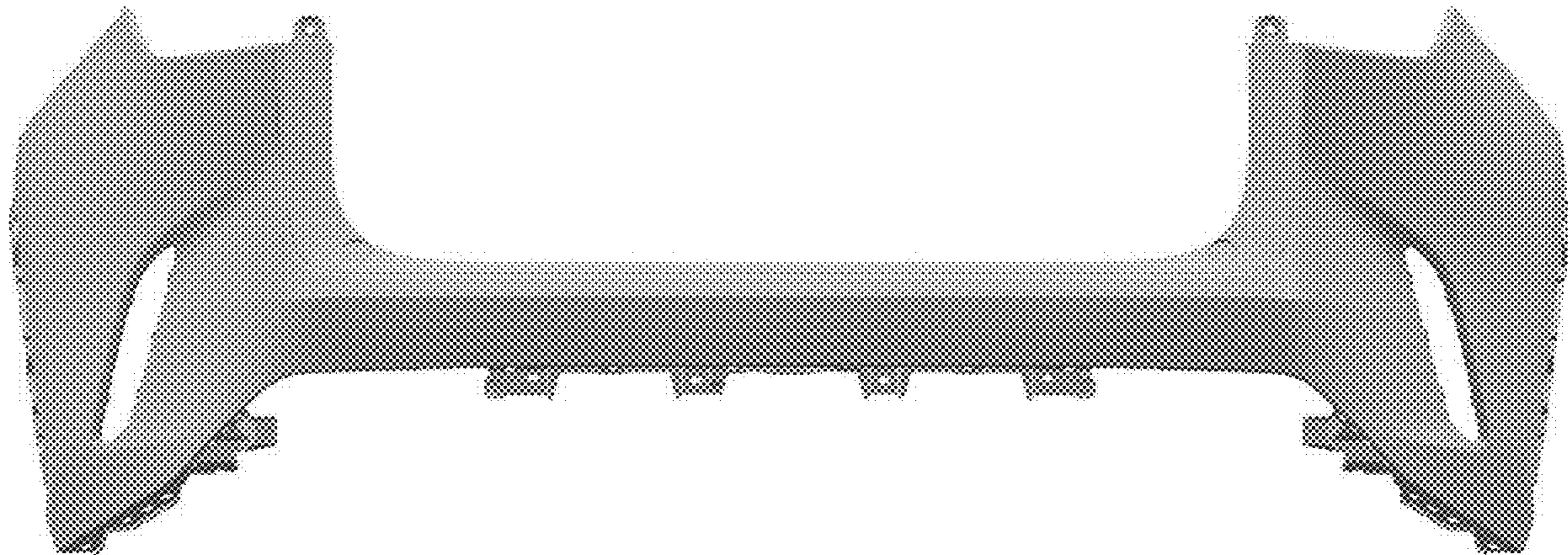
(57) **CLAIM**

The ornamental design for a rear bumper for an automobile, as shown and described.

DESCRIPTION

FIG. 1 is a perspective view of a rear bumper for an automobile showing my new design;
FIG. 2 is a front view thereof;
FIG. 3 is a rear view thereof;
FIG. 4 is a right side view thereof;
FIG. 5 is a left side view thereof;
FIG. 6 is a top view thereof; and,
FIG. 7 is a bottom view thereof.

1 Claim, 7 Drawing Sheets



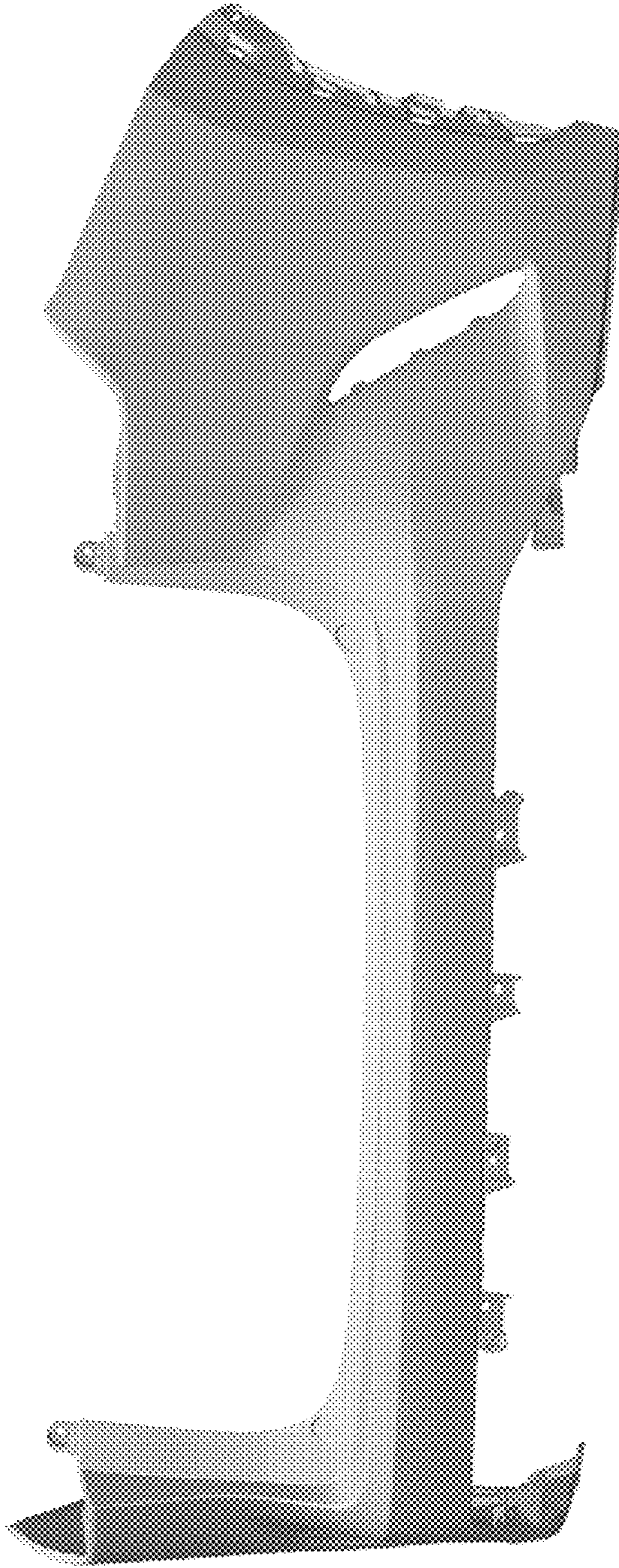


FIG. 1

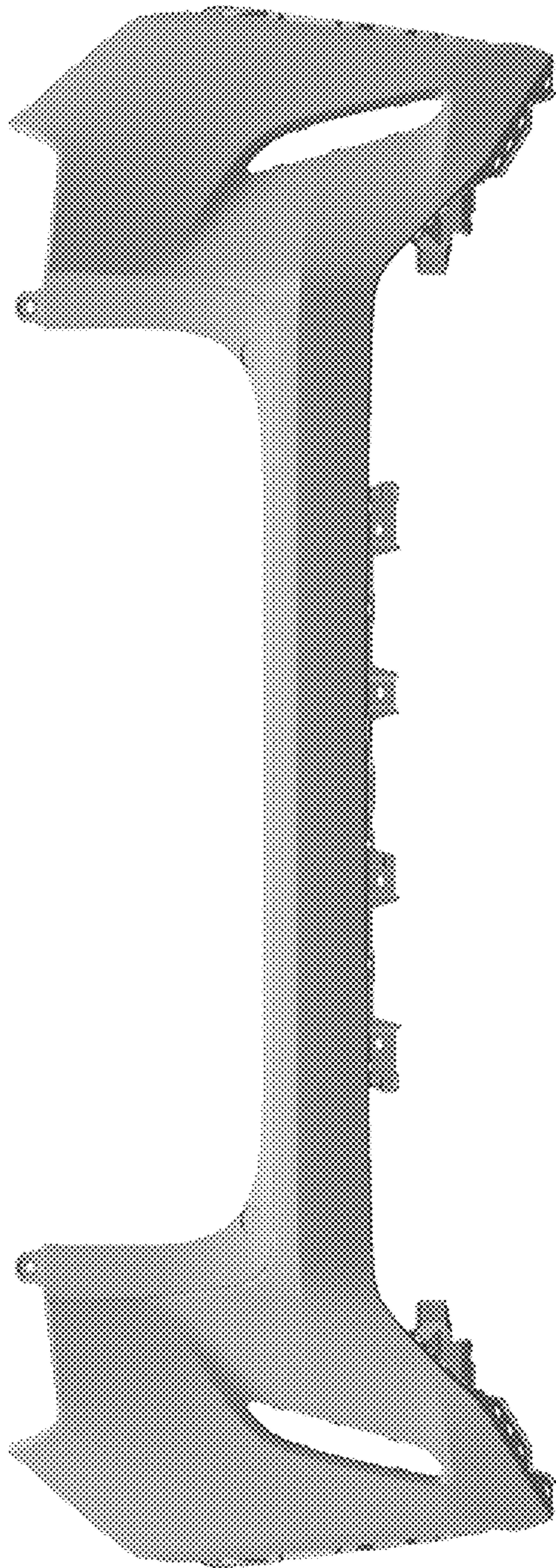


FIG. 2

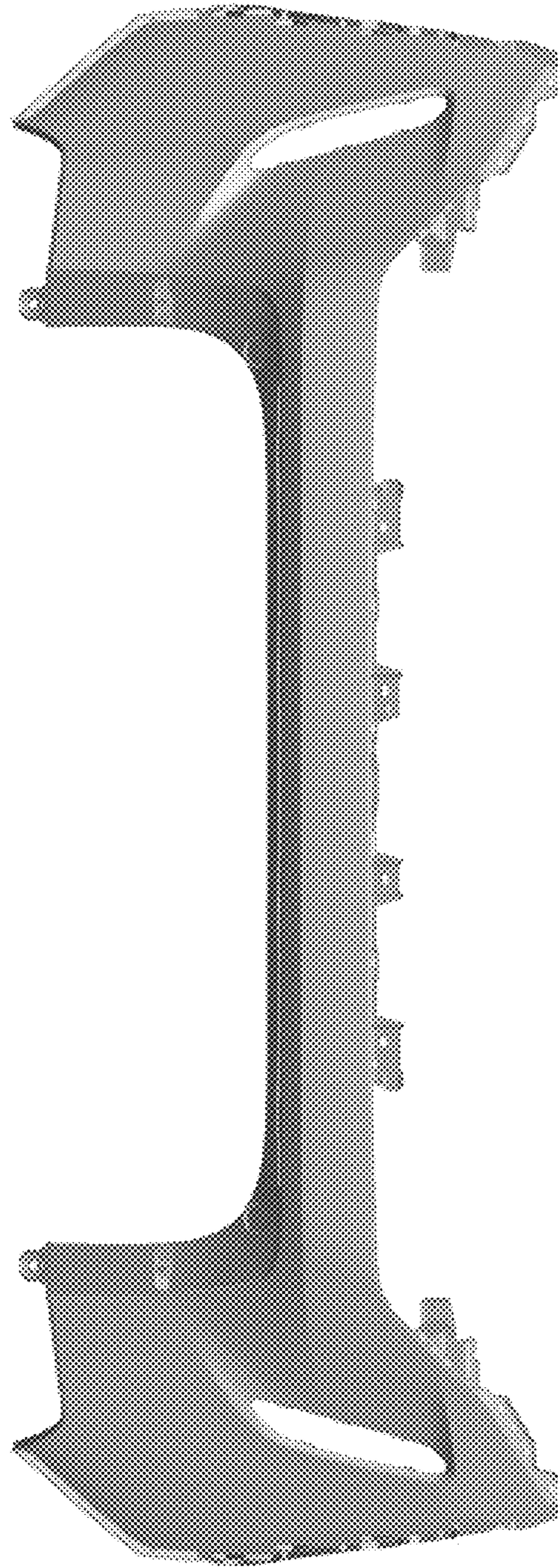


FIG. 3

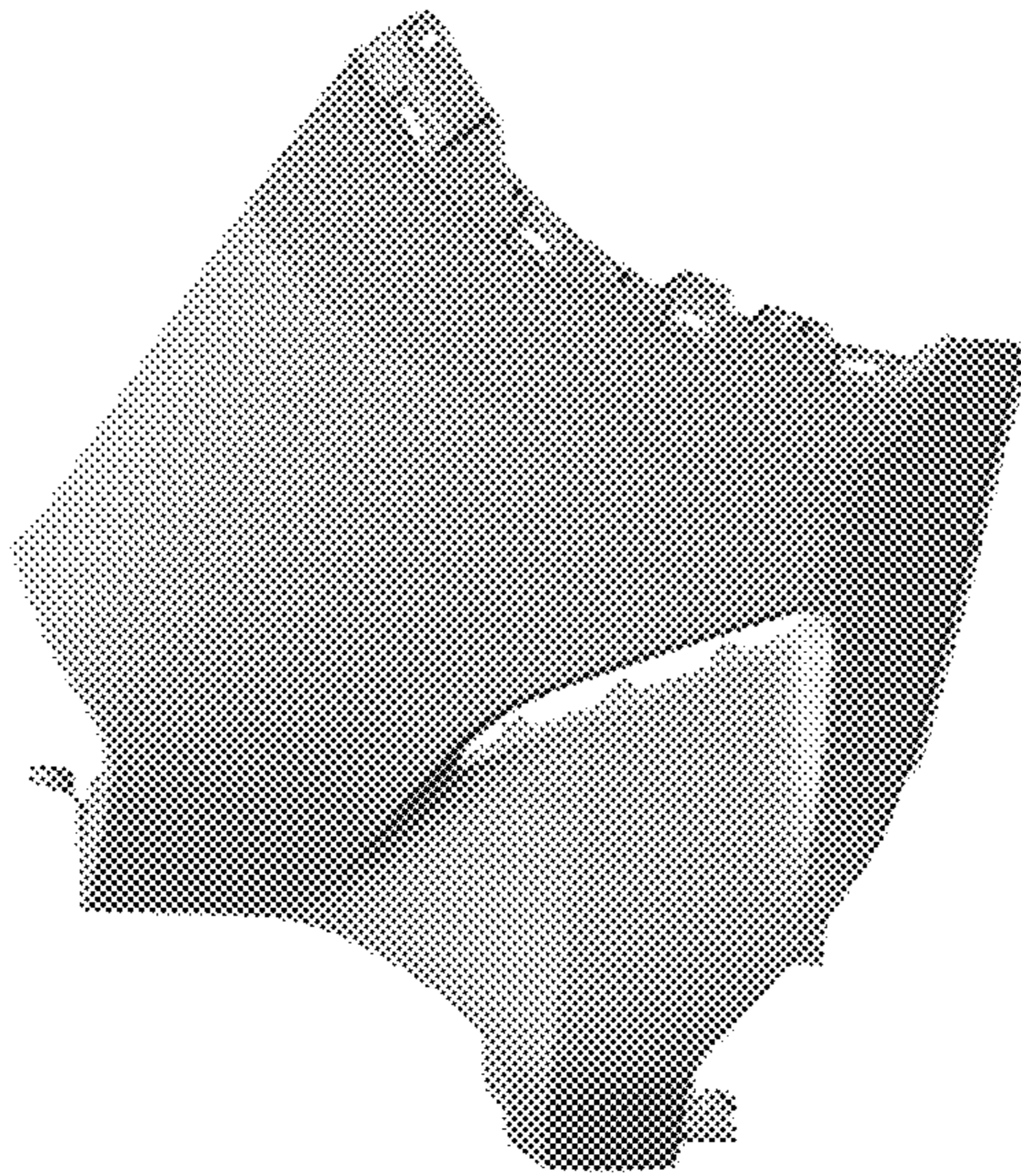


FIG. 4

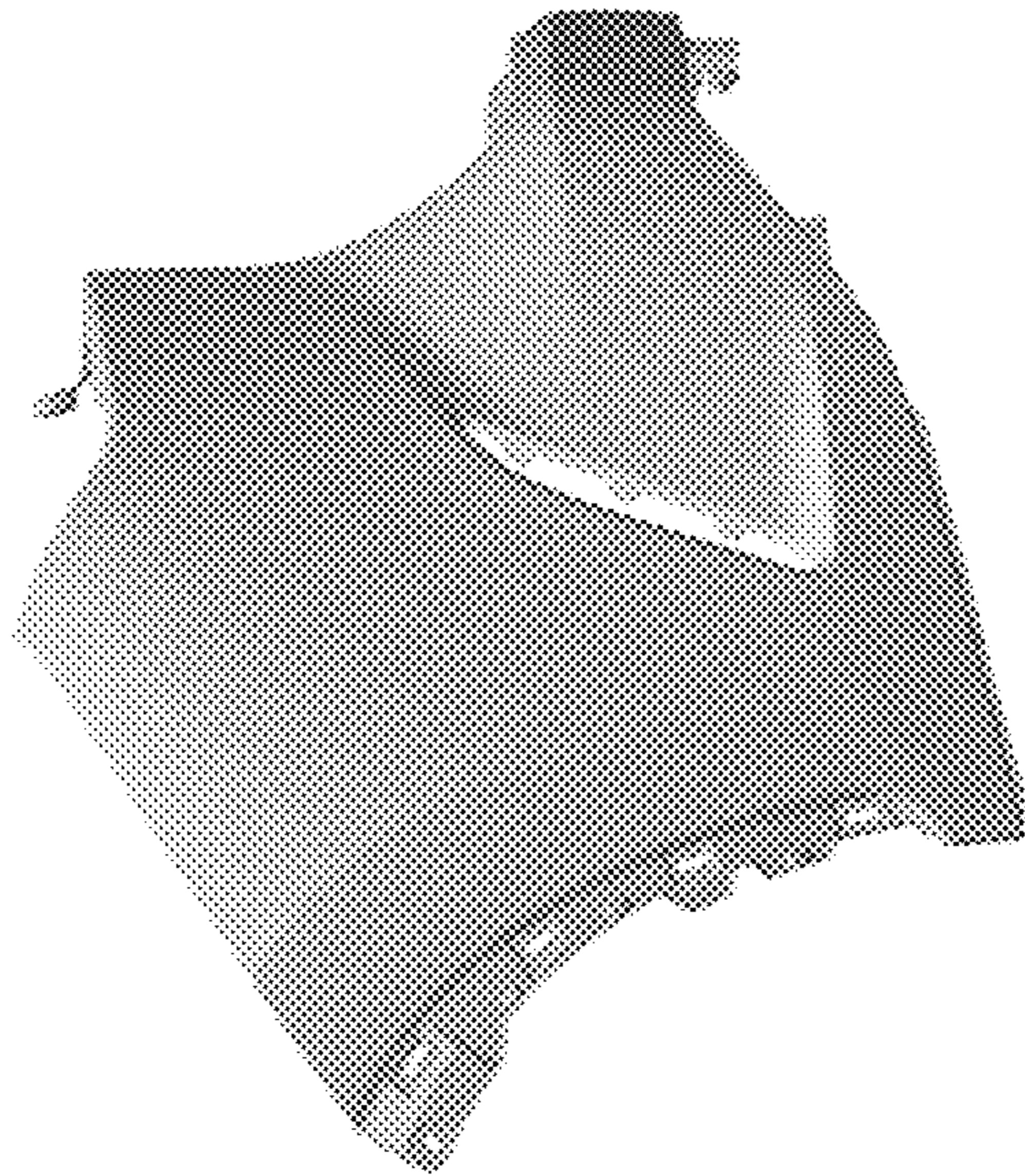


FIG. 5

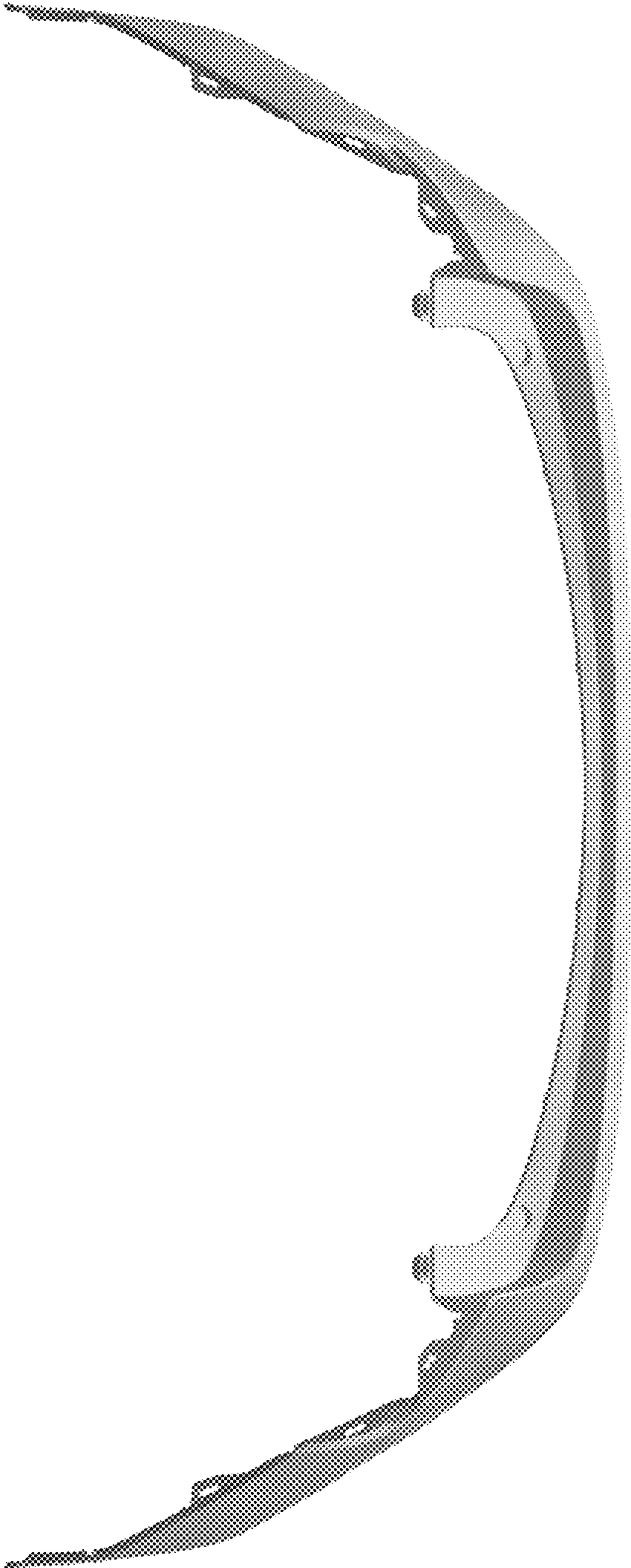


FIG. 6

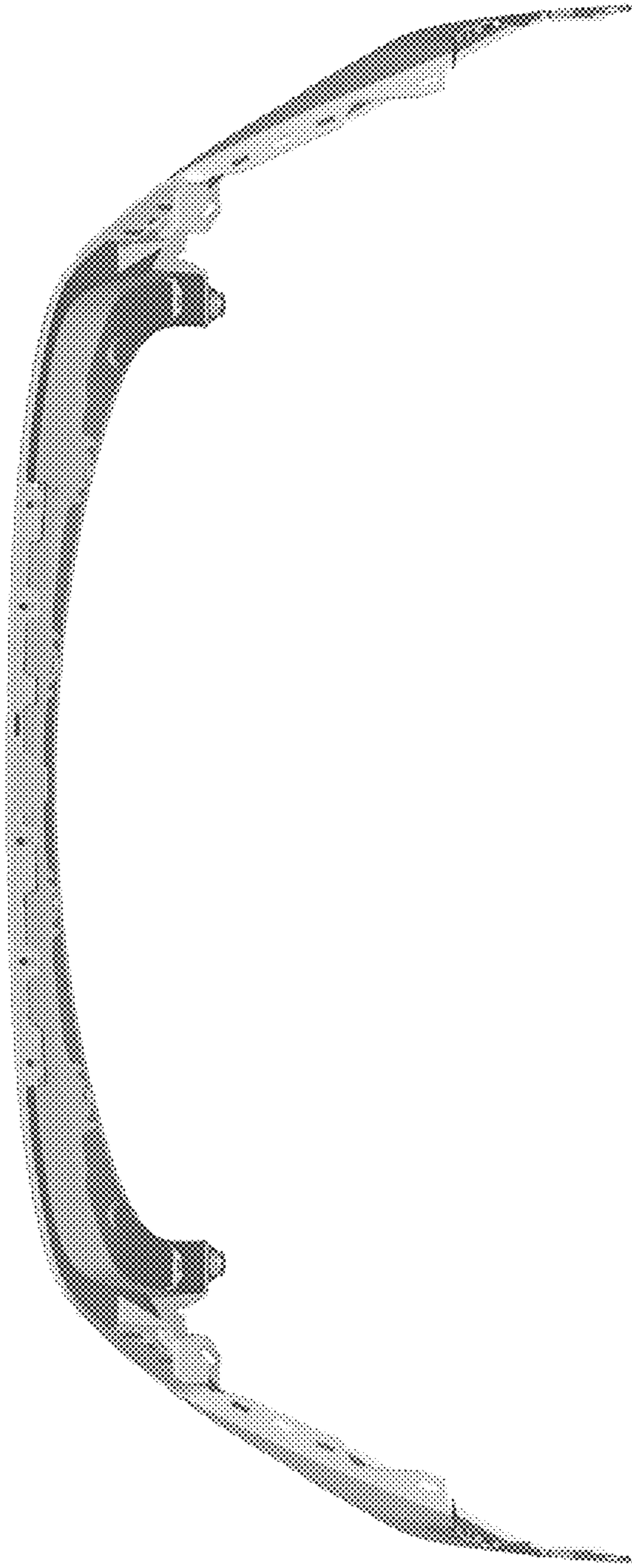


FIG. 7