



US00D972982S

(12) **United States Design Patent**
Aizawa

(10) **Patent No.:** **US D972,982 S**

(45) **Date of Patent:** **** Dec. 20, 2022**

(54) **FRONT GRILLE FOR AN AUTOMOBILE**

(71) Applicant: **Subaru Corporation**, Tokyo (JP)

(72) Inventor: **Shinsuke Aizawa**, Tokyo (JP)

(73) Assignee: **Subaru Corporation**, Tokyo (JP)

(**) Term: **15 Years**

(21) Appl. No.: **29/785,078**

(22) Filed: **May 24, 2021**

(51) **LOC (13) Cl.** **12-16**

(52) **U.S. Cl.**
USPC **D12/163**

(58) **Field of Classification Search**
USPC D12/169, 196, 86, 90-92, 163, 190, 98,
D12/164; 293/102, 113, 115, 117, 120,
293/193.11; 296/180.1, 180.2; 180/68.1,
180/68.6
CPC B60R 19/52; B60K 11/08; B62D 25/08;
B62B 9/16
See application file for complete search history.

(56) **References Cited**

U.S. PATENT DOCUMENTS

D430,521 S *	9/2000	Kitamura	D12/163
D448,329 S *	9/2001	Maeda	D12/163
D461,751 S *	8/2002	Suzuki	D12/163
D464,296 S *	10/2002	Nemoto	D12/163
D483,705 S *	12/2003	Satou	D12/163
D505,099 S *	5/2005	Suzuki	D12/163
D509,170 S *	9/2005	Saito	D12/163
D511,721 S *	11/2005	Neuchi	D12/163
D518,422 S *	4/2006	Nakamura	D12/163
D519,890 S *	5/2006	Sakae	D12/163
D525,570 S *	7/2006	Sugiura	D12/163
D534,104 S *	12/2006	Miyata	D12/163

D535,224 S *	1/2007	Kubota	D12/163
D535,590 S *	1/2007	Hogios	D12/163
D538,716 S *	3/2007	Hogios	D12/163
D562,192 S *	2/2008	Kushima	D12/163
D723,433 S *	3/2015	George	D12/163
D725,004 S *	3/2015	Kobayashi	D12/171
D809,438 S *	2/2018	Takamatsu	D12/163
D821,932 S *	7/2018	Andoh	D12/163
D824,813 S *	8/2018	Miyazawa	D12/163
D853,286 S *	7/2019	Imai	D12/163
D867,230 S *	11/2019	Basmanov	D12/163
D869,350 S *	12/2019	Bucher	D12/163
D874,989 S *	2/2020	Utsunomiya	D12/163
D879,676 S *	3/2020	Tonello	D12/171
D885,999 S *	6/2020	Hamilton	D12/163
D891,315 S *	7/2020	Metros	D12/163
D902,092 S *	11/2020	Park	D12/163
D911,883 S *	3/2021	Bae	D12/163
D913,864 S *	3/2021	Tanaka	D12/163
D913,865 S *	3/2021	Tanaka	D12/163

* cited by examiner

Primary Examiner — Melody N Brown

(74) *Attorney, Agent, or Firm* — Banner & Witcoff Ltd.

(57) **CLAIM**

I claim the ornamental design for a front grille for an automobile, as shown and described.

DESCRIPTION

FIG. 1 is a front perspective view for a “front grille for an automobile” showing our new design, FIG. 2 is a rear perspective view thereof, FIG. 3 is a front view thereof, FIG. 4 is a rear view thereof, FIG. 5 is a top view thereof, FIG. 6 is a bottom view thereof, FIG. 7 is a left-side view thereof; and, FIG. 8 is a right-side view thereof.

1 Claim, 4 Drawing Sheets

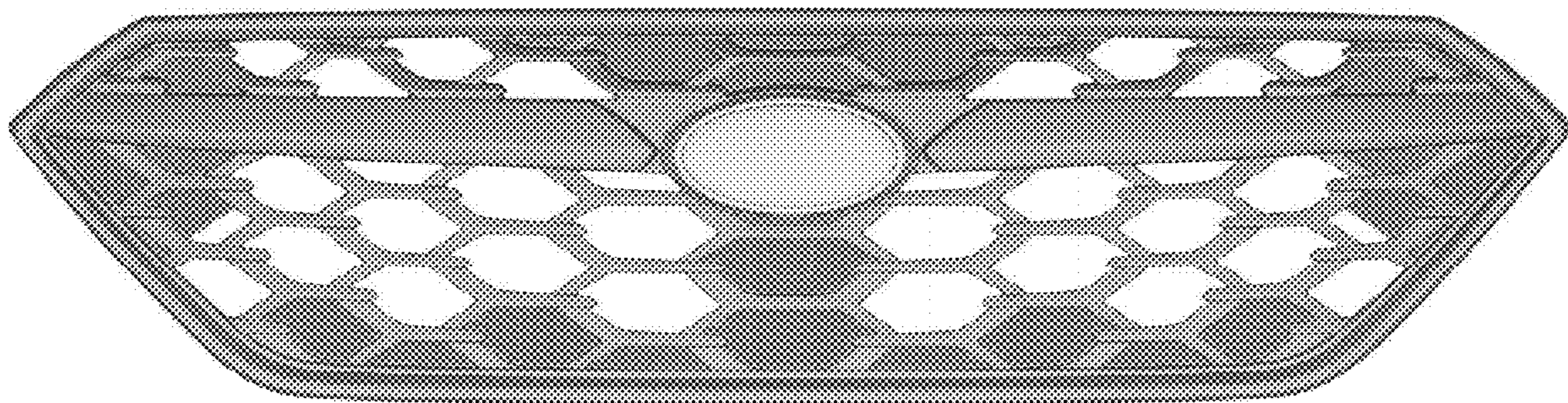


FIG. 1

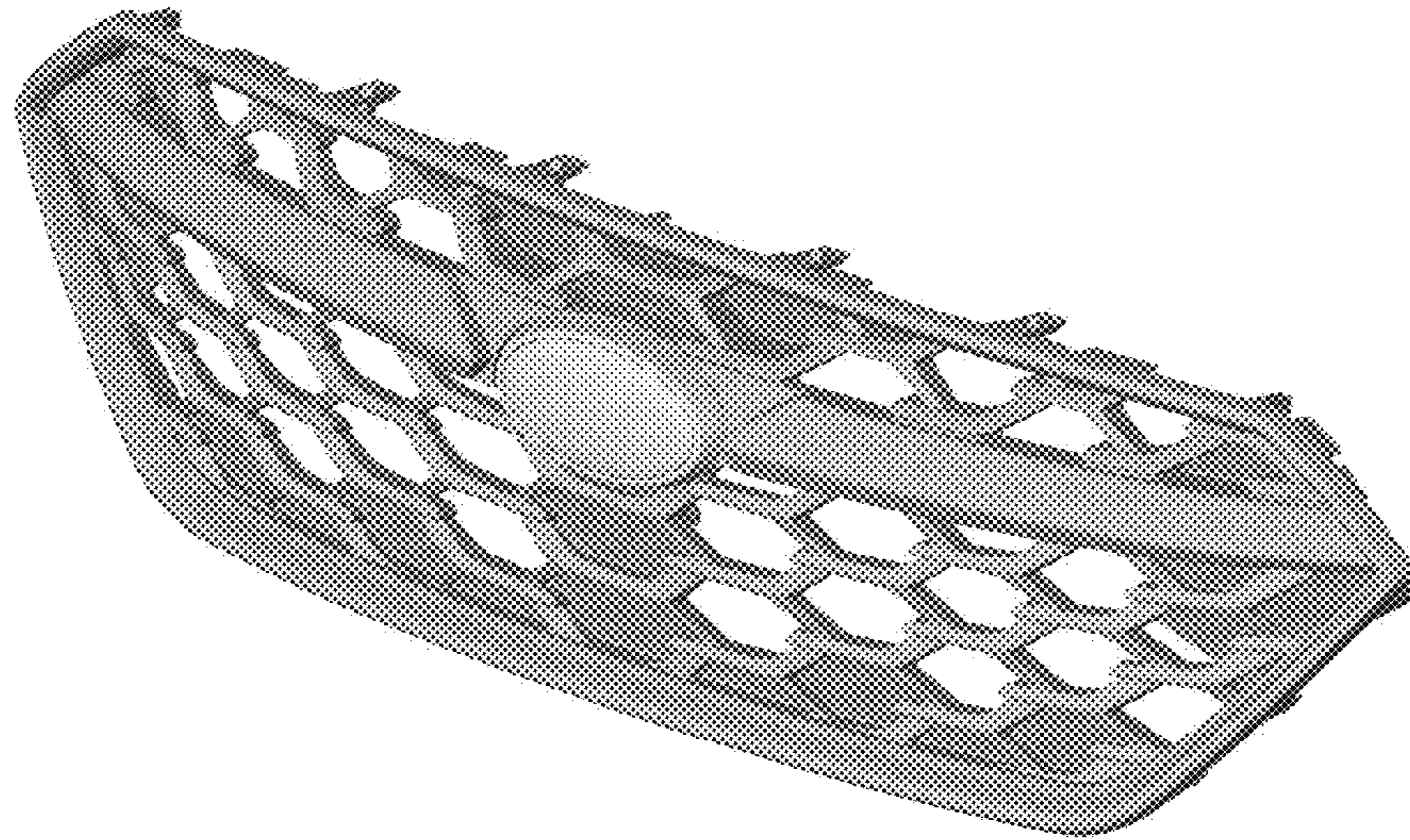


FIG. 2

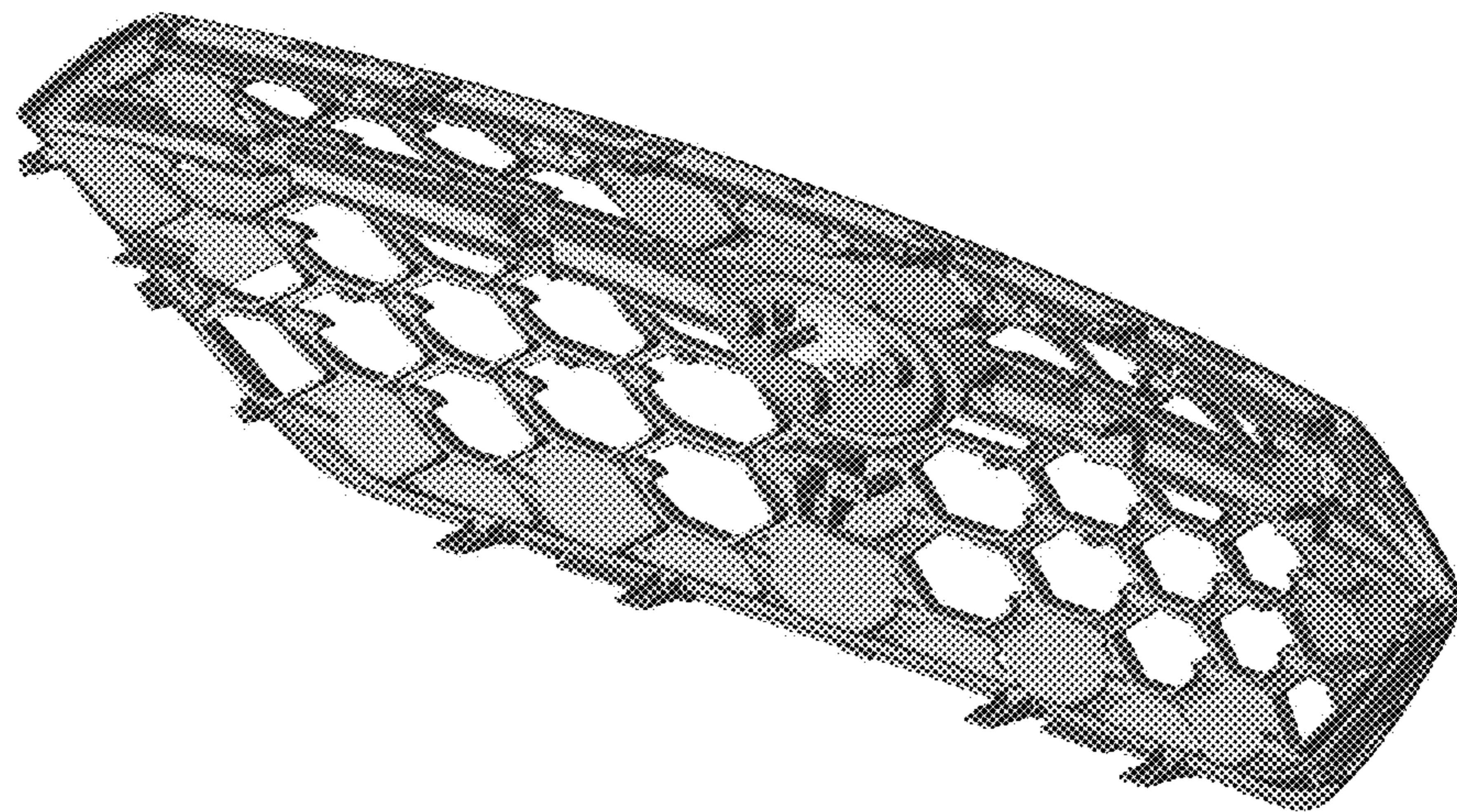


FIG. 3

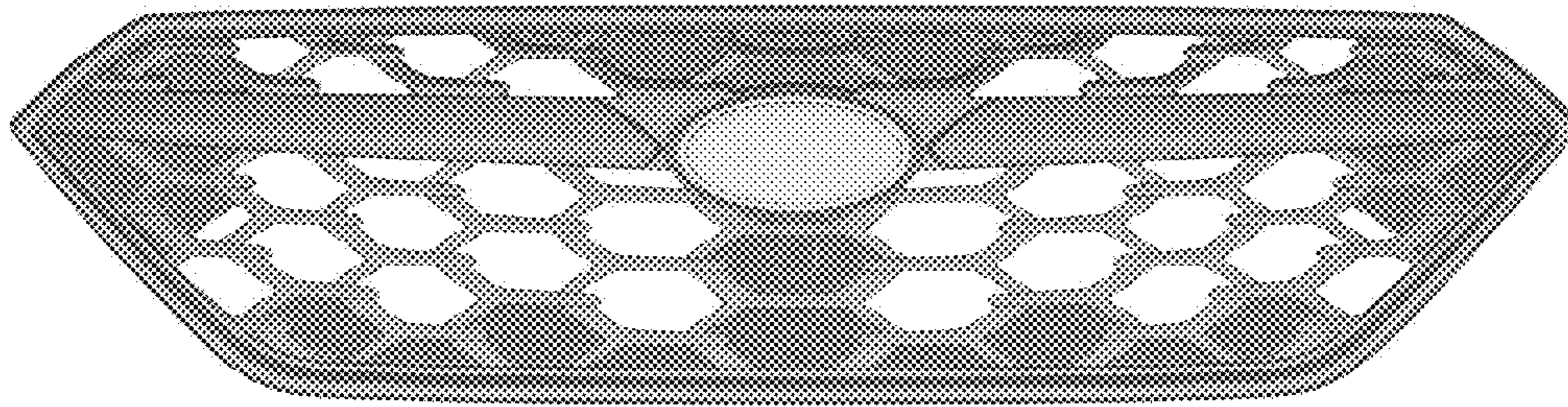


FIG. 4

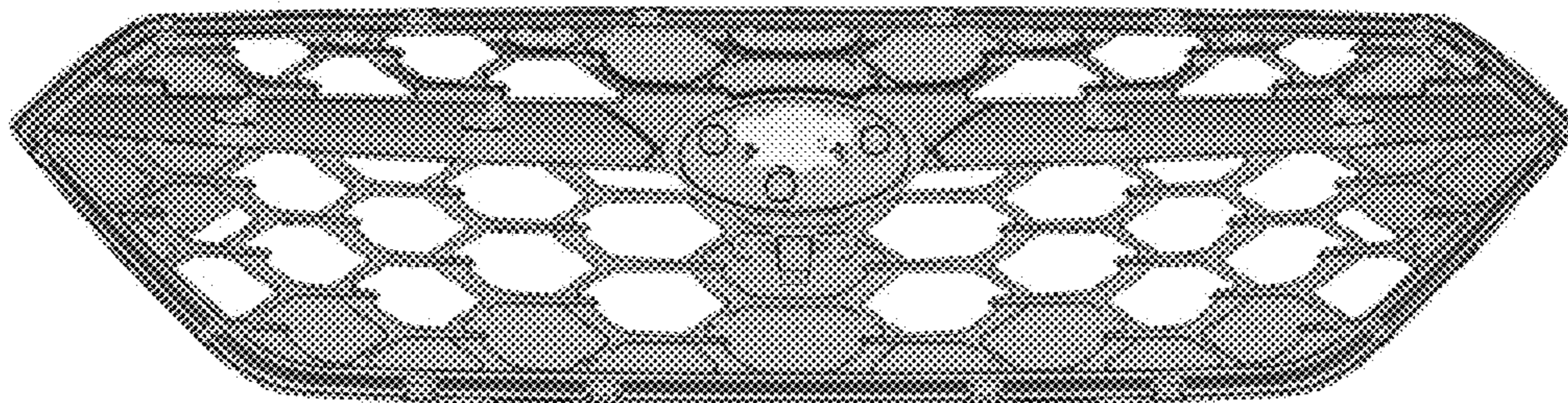


FIG. 5

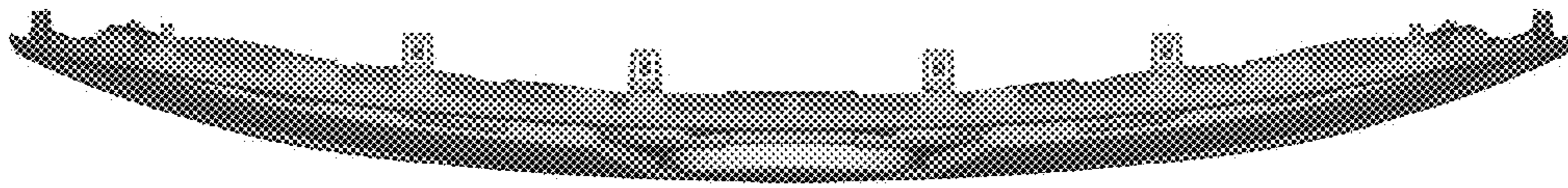


FIG. 6



FIG. 7

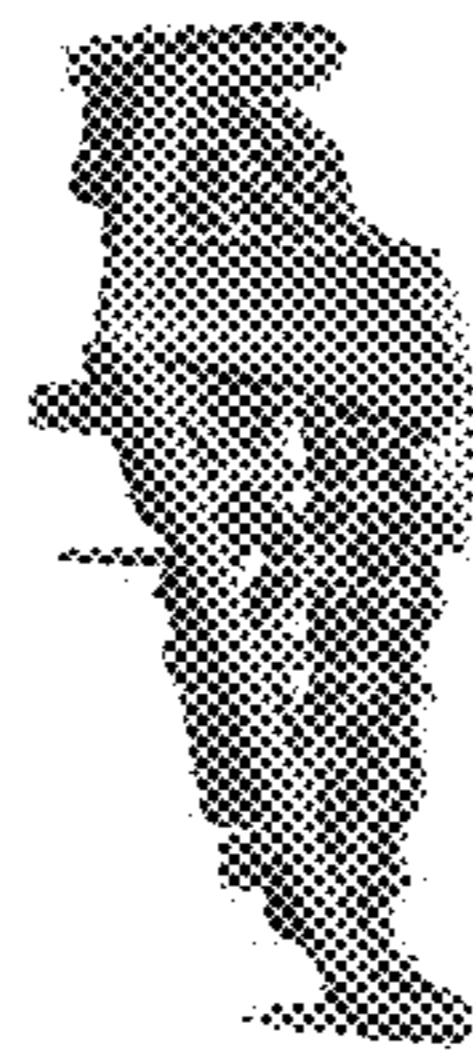


FIG. 8

