



US00D972980S

(12) **United States Design Patent**
Peng

(10) **Patent No.:** **US D972,980 S**

(45) **Date of Patent:** **** Dec. 20, 2022**

- (54) **ELECTRIC MOTORCYCLE**
- (71) Applicant: **Chongqing Yellow River New Energy Automobile Co., Ltd., Chongqing (CN)**
- (72) Inventor: **Jiahong Peng, Chongqing (CN)**
- (**) Term: **15 Years**
- (21) Appl. No.: **29/774,268**
- (22) Filed: **Mar. 15, 2021**
- (30) **Foreign Application Priority Data**

Dec. 7, 2020 (CN) 202030750353.X

- (51) **LOC (13) Cl.** **12-11**
- (52) **U.S. Cl.**
USPC **D12/110**
- (58) **Field of Classification Search**
USPC D12/110, 111, 117; D21/432, 538
CPC B62K 11/00; B62K 11/02; B62K 11/04;
B62K 11/10; B62K 17/00; B62K 19/00;
B62K 2202/00

See application file for complete search history.

(56) **References Cited**

U.S. PATENT DOCUMENTS

| | | | | |
|--------------|---------|----------|-------|---------|
| D311,507 S * | 10/1990 | Sasaki | | D12/110 |
| D312,807 S * | 12/1990 | Kohama | | D12/110 |
| D380,989 S * | 7/1997 | Abe | | D12/110 |
| D384,600 S * | 10/1997 | Miwa | | D12/110 |
| D384,601 S * | 10/1997 | Hiruma | | D12/110 |
| D385,226 S * | 10/1997 | Mogi | | D12/110 |
| D387,017 S * | 12/1997 | Wakita | | D12/110 |
| D395,849 S * | 7/1998 | Maruyama | | D12/110 |
| D419,922 S * | 2/2000 | Yamase | | D12/110 |
| D431,501 S * | 10/2000 | Yamamoto | | D12/110 |
| D456,315 S * | 4/2002 | Sawabe | | D12/110 |
| D482,639 S * | 11/2003 | Yamamoto | | D12/110 |
| D497,329 S * | 10/2004 | Yamamoto | | D12/110 |
| D497,330 S * | 10/2004 | Fukuyama | | D12/110 |
| D501,431 S * | 2/2005 | Hirano | | D12/110 |

| | | | | |
|--------------|---------|----------|-------|---------|
| D513,481 S * | 1/2006 | Lin | | D12/110 |
| D517,956 S * | 3/2006 | Kishi | | D12/110 |
| D523,783 S * | 6/2006 | Sugimoto | | D12/110 |
| D526,249 S * | 8/2006 | Tanaka | | D12/110 |
| D535,587 S * | 1/2007 | Yin | | D12/110 |
| D549,136 S * | 8/2007 | Yu | | D12/110 |
| D549,618 S * | 8/2007 | Miyata | | D12/110 |
| D559,155 S * | 1/2008 | Sakata | | D12/110 |
| D564,418 S * | 3/2008 | Miyata | | D12/110 |
| D565,473 S * | 4/2008 | Hohdorf | | D12/110 |
| D566,626 S * | 4/2008 | Sakata | | D12/110 |
| D580,827 S * | 11/2008 | Buckan | | D12/110 |
| D581,840 S * | 12/2008 | Ichihara | | D12/110 |
| D603,300 S * | 11/2009 | Fukuyama | | D12/110 |
| D609,609 S * | 2/2010 | Hayashi | | D12/110 |
| D609,610 S * | 2/2010 | Inose | | D12/110 |
| D632,226 S * | 2/2011 | Miyata | | D12/110 |

(Continued)

OTHER PUBLICATIONS

“2020 Model Information—Kawasaki KLX230.” Kawasaki., Apr. 25, 2019 [online], [retrieved on Nov. 5, 2020]. Retrieved from the Internet <URL: https://kawasaki.co.nz/wp-content/uploads/2019/06/20_KLX230_Model-Information.pdf>.*

(Continued)

Primary Examiner — Darlington Ly

(57) **CLAIM**

The ornamental design for an electric motorcycle, as shown and described.

DESCRIPTION

FIG. 1 is a front and top perspective view of an electric motorcycle, showing my new design; FIG. 2 is a front elevation view thereof; FIG. 3 is a rear elevation view thereof; FIG. 4 is a left side elevation view thereof; FIG. 5 is a right side elevation view thereof; FIG. 6 is a top plan view thereof; and, FIG. 7 is a bottom plan view thereof.

1 Claim, 7 Drawing Sheets



(56)

References Cited

U.S. PATENT DOCUMENTS

| | | | | |
|--------------|------|---------|-----------------|-------------|
| D735,087 | S * | 7/2015 | Iimura | D12/110 |
| D738,789 | S * | 9/2015 | Inose | D12/110 |
| D754,567 | S * | 4/2016 | Iimura | D12/110 |
| D774,962 | S * | 12/2016 | Wakita | D12/110 |
| D786,137 | S * | 5/2017 | Miwa | D12/110 |
| D792,287 | S * | 7/2017 | Kobayashi | D12/110 |
| D798,195 | S * | 9/2017 | Yu | D12/110 |
| D809,433 | S * | 2/2018 | Kobayashi | D12/110 |
| D817,818 | S * | 5/2018 | Iimura | D12/110 |
| D867,222 | S * | 11/2019 | Inose | D12/110 |
| D875,614 | S * | 2/2020 | Akita | D12/110 |
| D907,534 | S * | 1/2021 | Ying | D12/110 |
| D908,540 | S * | 1/2021 | Akita | D12/110 |
| D910,494 | S * | 2/2021 | Kobayashi | D12/110 |
| D933,535 | S * | 10/2021 | Petersson | D12/110 |
| D933,536 | S * | 10/2021 | Petersson | D12/110 |
| D940,599 | S * | 1/2022 | Chambers | D12/110 |
| 11,247,743 | B2 * | 2/2022 | Domenech | B60K 15/073 |
| 2012/0298437 | A1 * | 11/2012 | Dietz | B64C 17/06 |
| | | | | 74/5.22 |
| 2022/0001951 | A1 * | 1/2022 | Preis | B62J 45/41 |
| 2022/0033022 | A1 * | 2/2022 | Tamura | B62J 17/10 |

OTHER PUBLICATIONS

“2018 MX Bike Buyer’s Guide.” Dirt Bike Magazine., Jan. 2, 2018 [online], [retrieved on Nov. 5, 2020]. Retrieved from the Internet <URL: <https://dirtbikemagazine.com/2018-mx-bike-buyers-guide/>>.*

* cited by examiner



FIG. 1

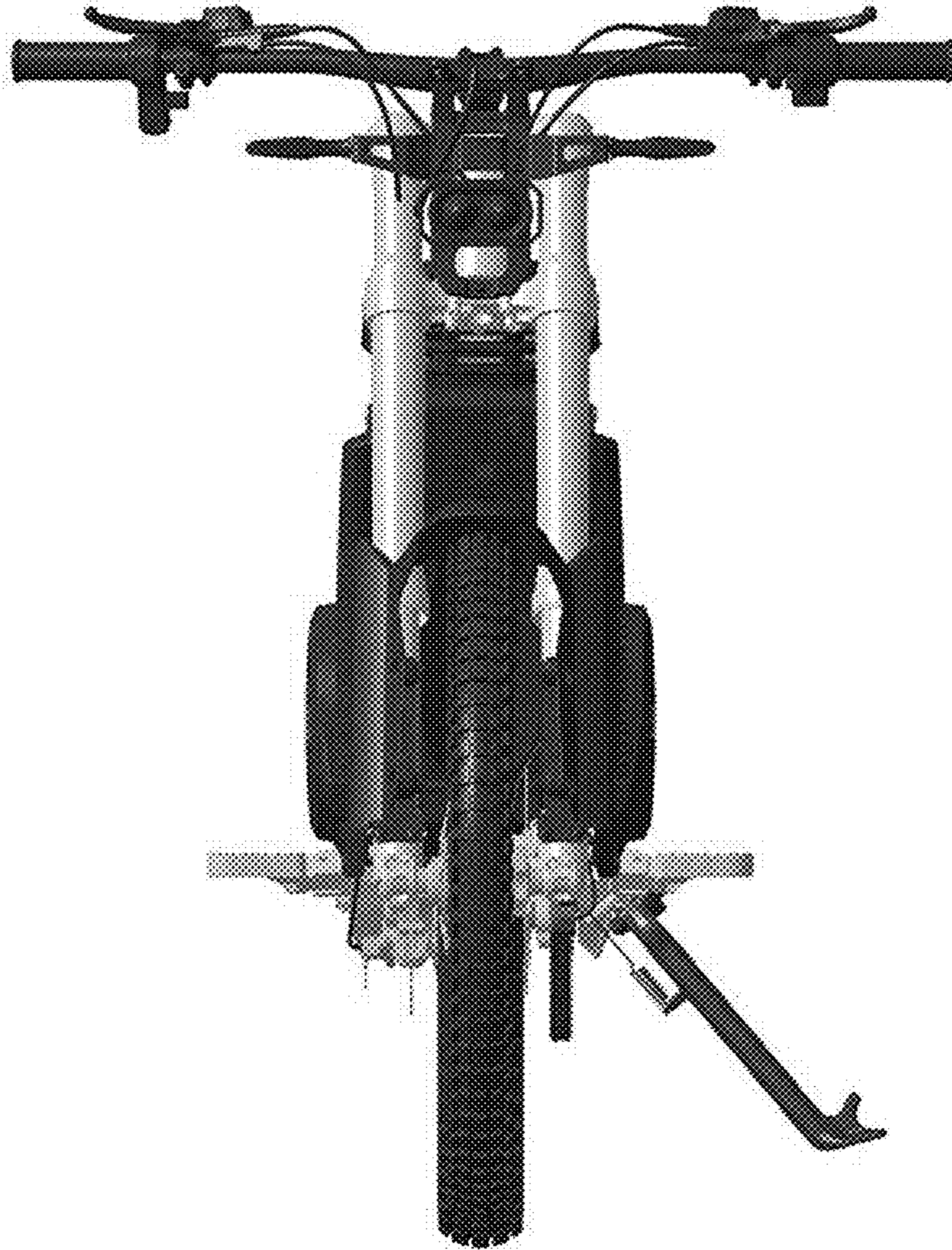


FIG. 2

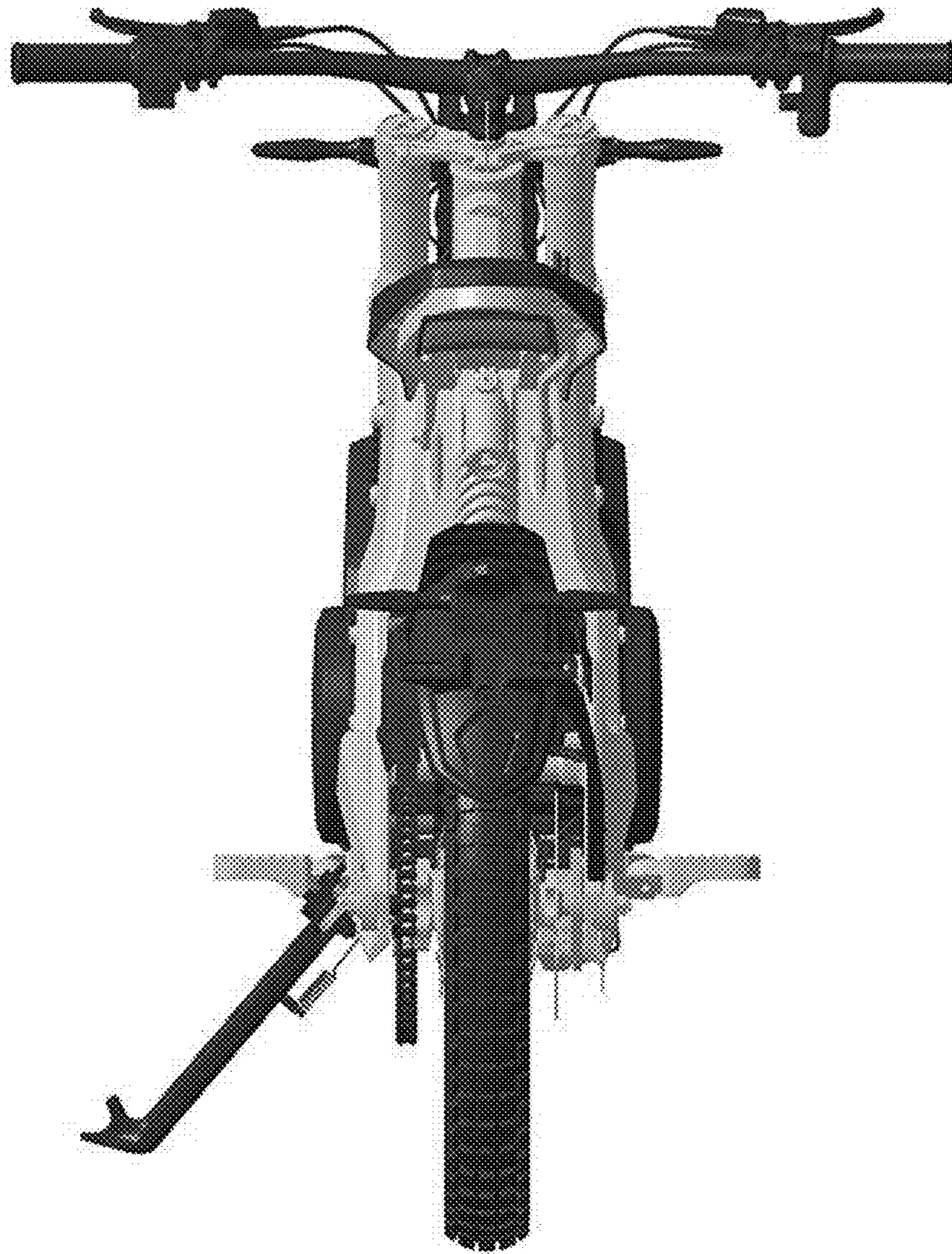


FIG. 3



FIG. 4



FIG. 5

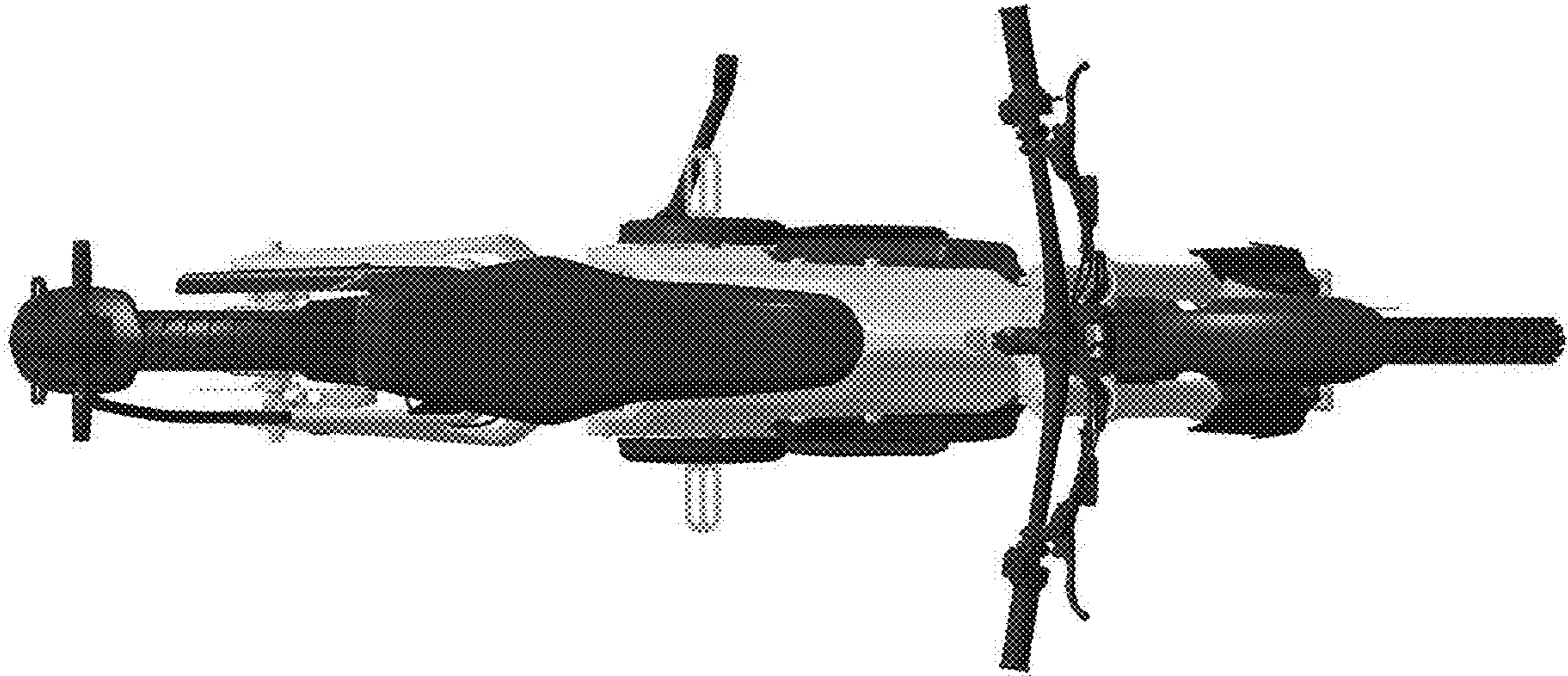


FIG. 6

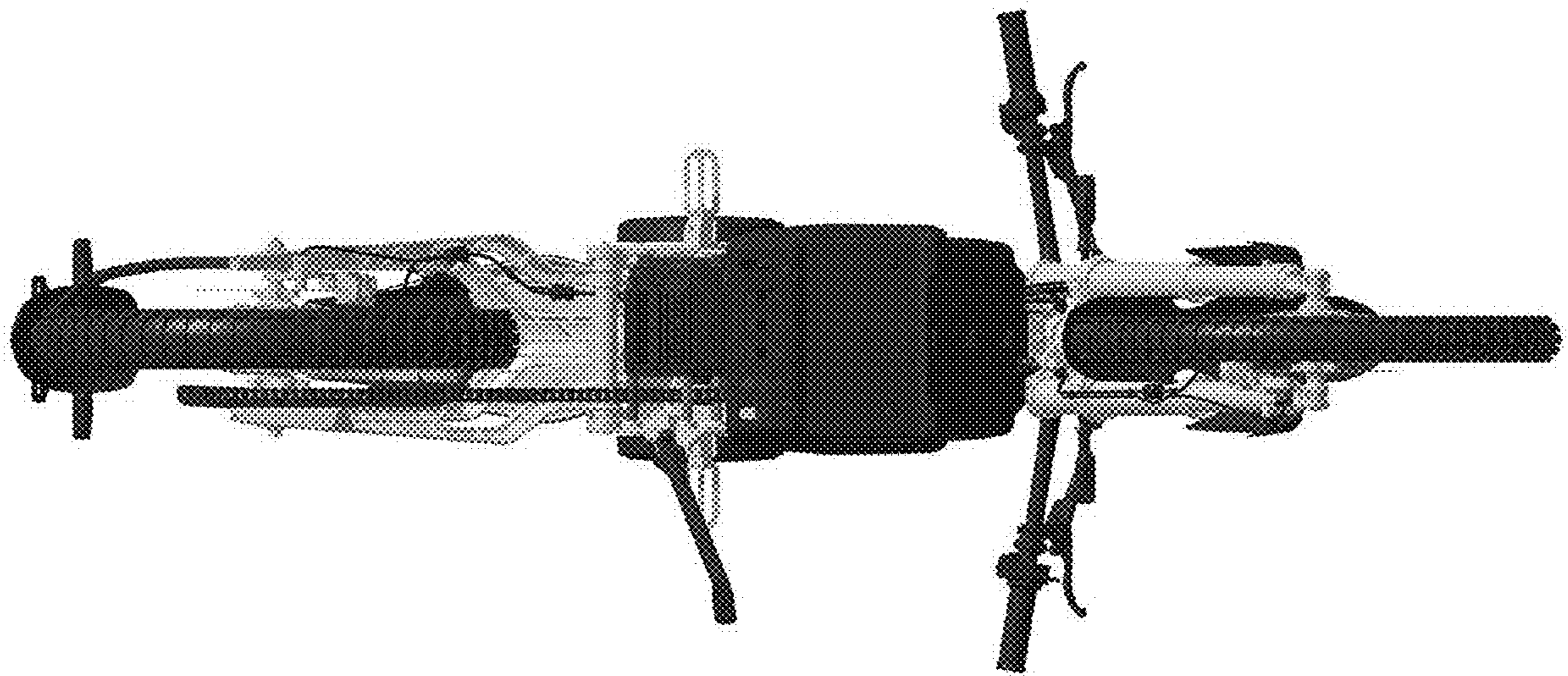


FIG. 7