



US00D972979S

(12) **United States Design Patent**  
**Hellwig et al.**

(10) **Patent No.:** **US D972,979 S**

(45) **Date of Patent:** **\*\* Dec. 20, 2022**

(54) **MOTOR VEHICLE BODY, TOY REPLICA  
AND/OR OTHER REPLICA**

(71) Applicant: **Daimler AG**, Stuttgart (DE)

(72) Inventors: **Volker Hellwig**, Stuttgart (DE);  
**Jean-Francois Huet**, Grasse (FR);  
**Markus Ungerer**, Steinheim an der  
Murr (DE)

(73) Assignee: **Mercedes-Benz Group AG**, Stuttgart  
(DE)

(\*\*) Term: **15 Years**

(21) Appl. No.: **29/768,421**

(22) Filed: **Jan. 29, 2021**

(51) **LOC (13) Cl.** ..... **12-08**

(52) **U.S. Cl.**  
USPC ..... **D12/92**

(58) **Field of Classification Search**  
USPC ..... D12/86, 90-92, 88, 164; D21/424, 433,  
D21/434, 533; 296/181.1-181.5, 183.1  
CPC ..... B62D 25/00; B62D 25/06; B62D 33/00;  
B62D 35/00  
See application file for complete search history.

(56) **References Cited**

**U.S. PATENT DOCUMENTS**

D813,726 S *	3/2018	Tanghe .....	D12/91
D813,727 S *	3/2018	Beermann .....	D12/92
D821,919 S *	7/2018	Simm .....	D12/91
D825,383 S *	8/2018	Luk .....	D12/91
D825,390 S *	8/2018	Al Attar .....	D12/92
D826,783 S *	8/2018	Badstuebner .....	D12/92
D827,497 S *	9/2018	Frei .....	D12/91
D827,514 S *	9/2018	Badstuebner .....	D12/164
D831,540 S *	10/2018	Buckingham .....	D12/92

D836,490 S *	12/2018	Futschik .....	D12/92
D837,692 S *	1/2019	Badstuebner .....	D12/91
D860,880 S *	9/2019	Huet .....	D12/91
D862,287 S *	10/2019	Badstuebner .....	D12/91
D873,715 S *	1/2020	Badstuebner .....	D12/91
D873,716 S *	1/2020	Badstuebner .....	D12/91
D886,679 S *	6/2020	Hellwig .....	D12/91
D888,623 S *	6/2020	Vidojkovic .....	D12/164
D898,622 S *	10/2020	Wittinger .....	D12/92

**FOREIGN PATENT DOCUMENTS**

EM	005237864-0001	4/2018
EM	005237864-0002	4/2018

\* cited by examiner

*Primary Examiner* — Melody N Brown

(74) *Attorney, Agent, or Firm* — Crowell & Moring LLP

(57) **CLAIM**

The ornamental design for a motor vehicle body, toy replica and/or other replica, as shown and described.

**DESCRIPTION**

This application contains subject matter related to the following co-pending U.S. design patent application:

Application Ser. No. 29/768,420, filed herewith and entitled "Front Portion of a Vehicle, Toy, and/or Replicas Thereof". FIG. 1 is a left, front perspective view of a motor vehicle body, toy replica and/or other replica according to the design;

FIG. 2 is a front view thereof;

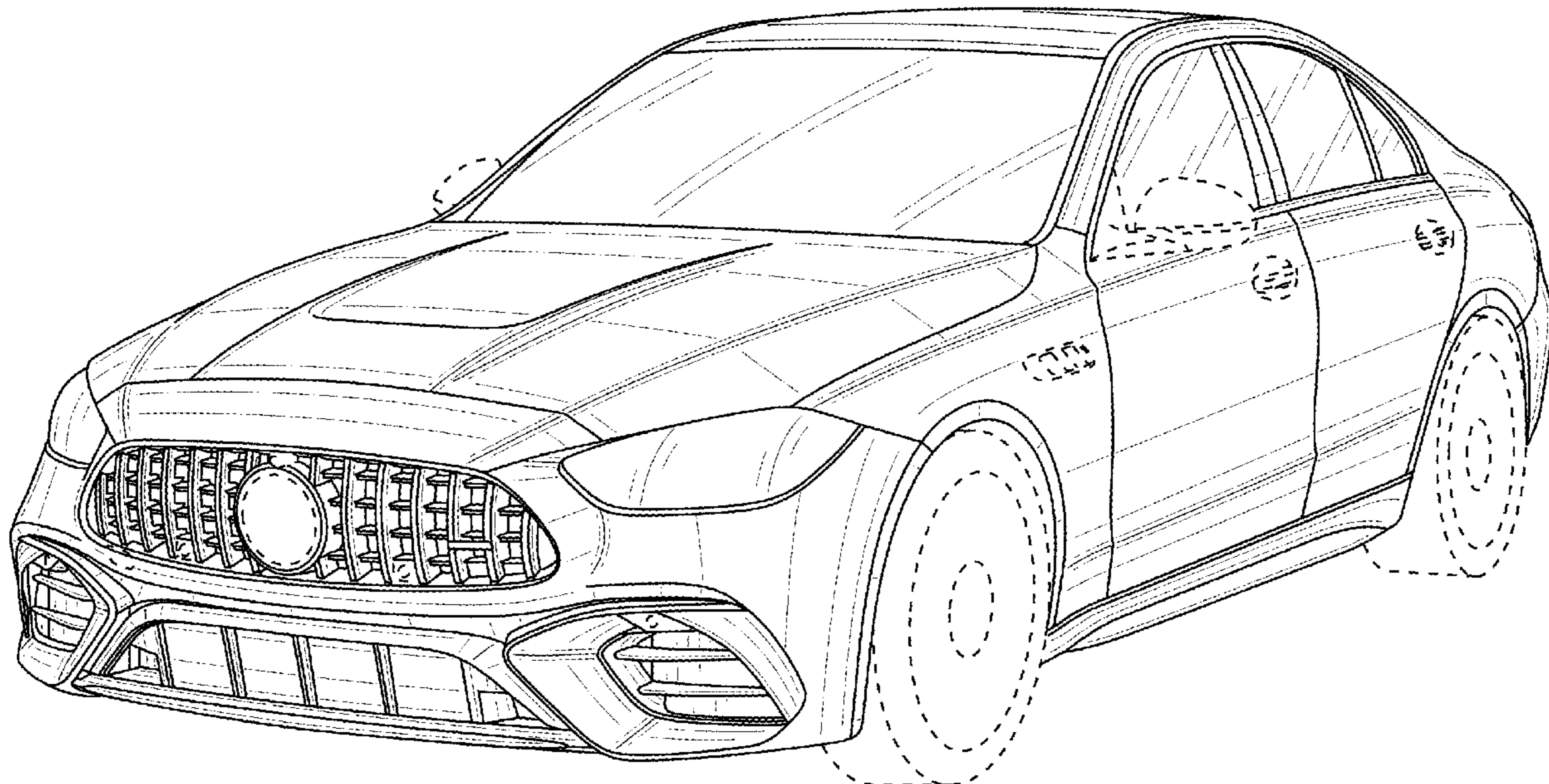
FIG. 3 is a left side view thereof;

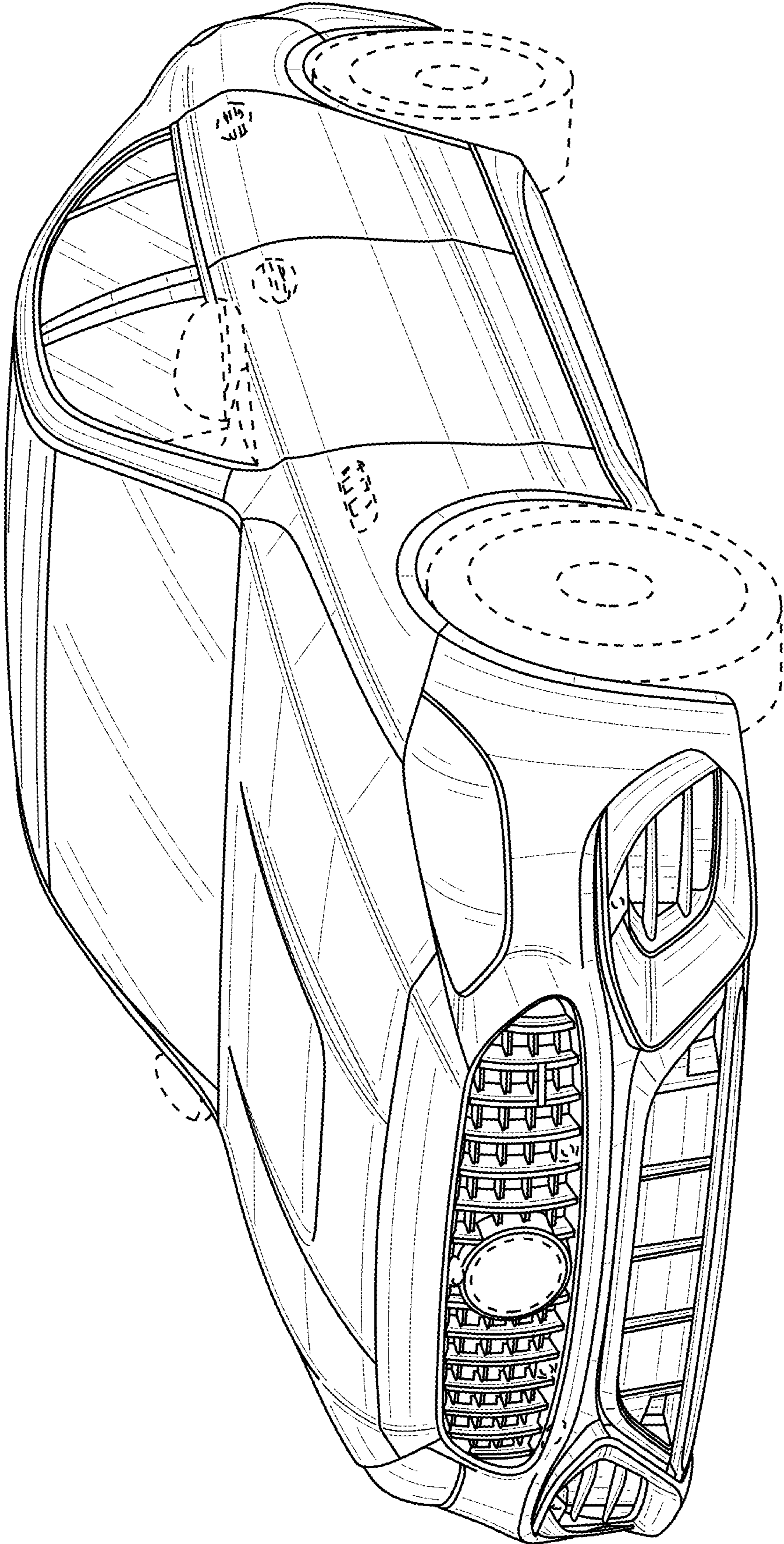
FIG. 4 is a left, rear perspective view thereof; and,

FIG. 5 is a rear view thereof.

The broken lines shown throughout the drawing views are for environmental and illustrative purposes and form no part of the claimed design.

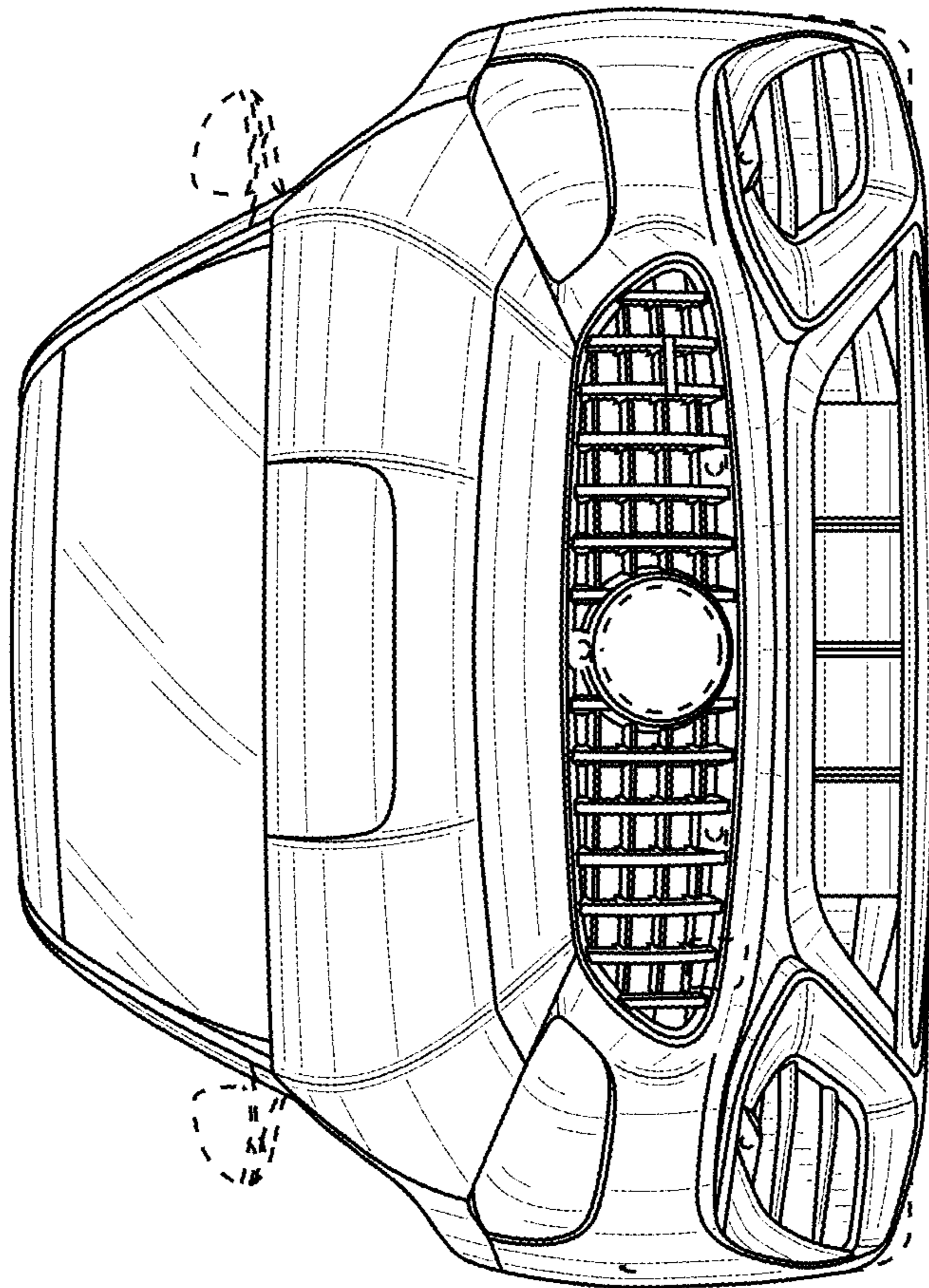
**1 Claim, 5 Drawing Sheets**



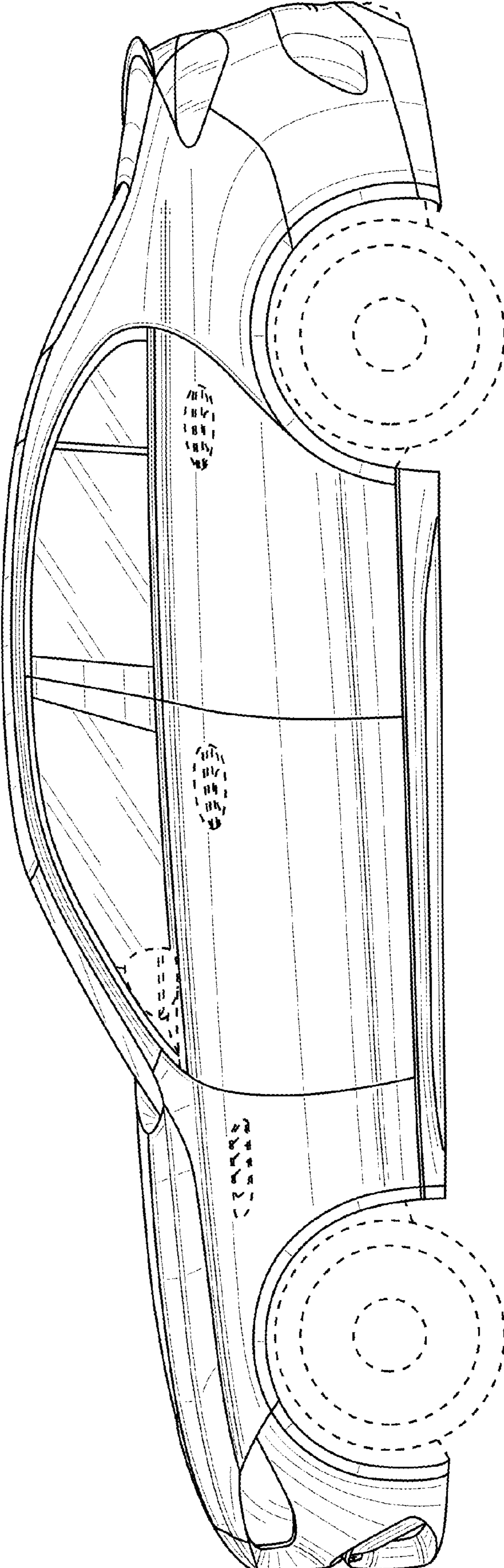


**FIG. 1**

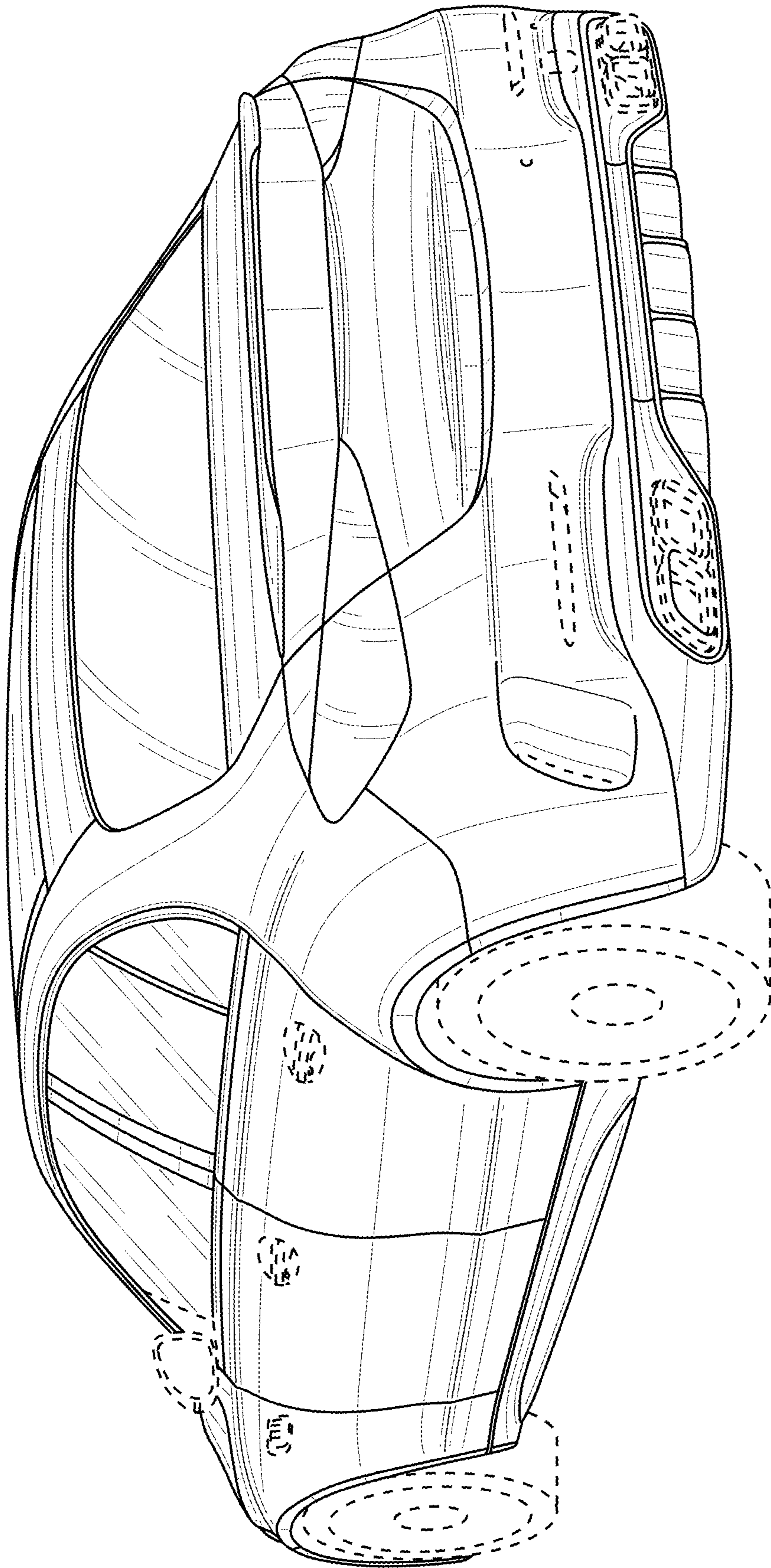




**FIG. 2**

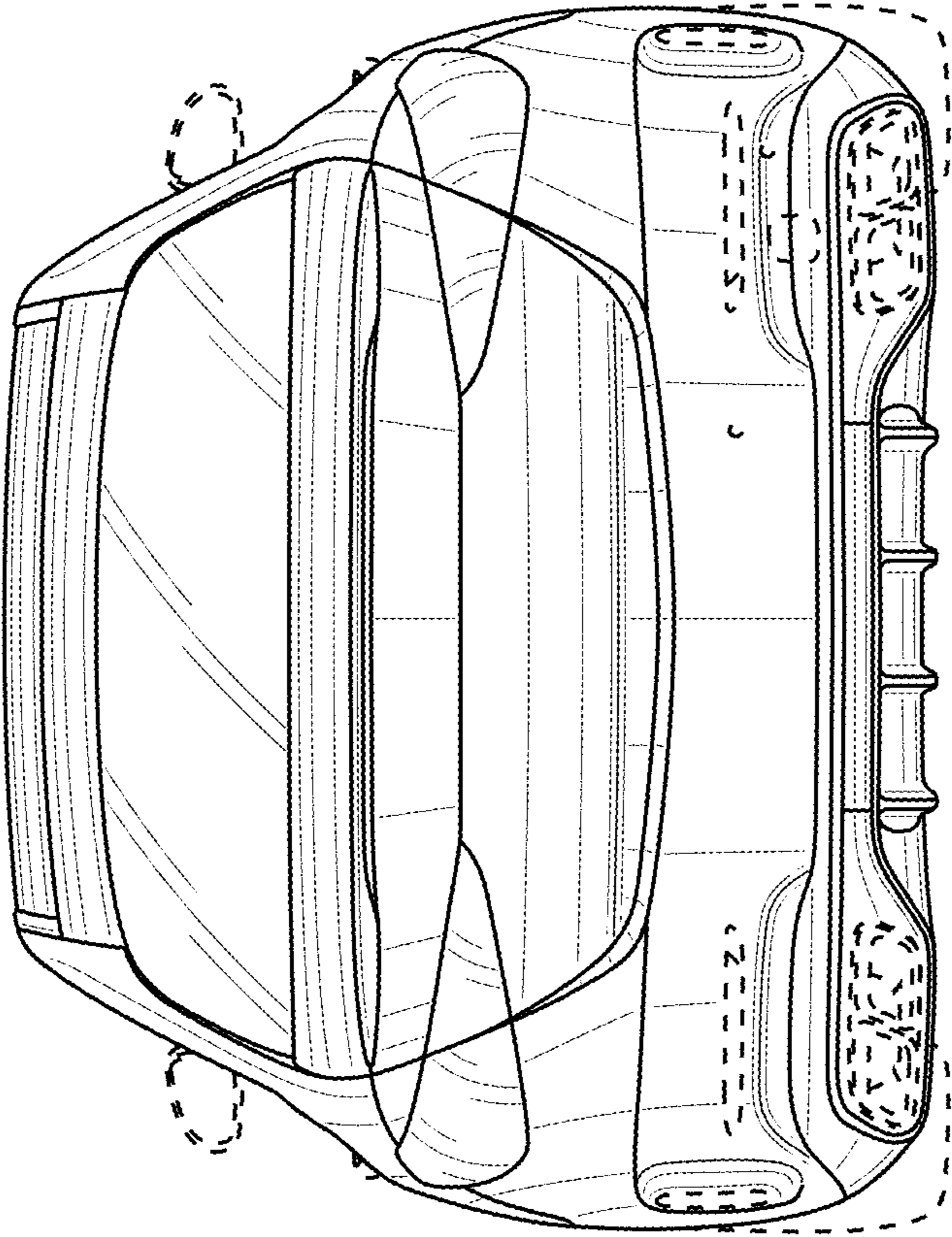


**FIG. 3**



**FIG. 4**





**FIG. 5**