



US00D972978S

(12) **United States Design Patent**
Xu et al.

(10) **Patent No.:** **US D972,978 S**

(45) **Date of Patent:** **** Dec. 20, 2022**

(54) **RACING KART**

(71) Applicant: **ZHEJIANG TAOTAO VEHICLES CO., LTD.**, Lishui (CN)

(72) Inventors: **Jie Xu**, Lishui (CN); **Guidong Lou**, Lishui (CN); **Junhui Li**, Lishui (CN); **Yali Ying**, Lishui (CN); **Yi Ni**, Lishui (CN)

(73) Assignee: **ZHEJIANG TAOTAO VEHICLES CO., LTD.**, Lishui (CN)

(**) Term: **15 Years**

(21) Appl. No.: **29/784,868**

(22) Filed: **May 21, 2021**

(30) **Foreign Application Priority Data**

Mar. 26, 2021 (CN) 202130167370.5

(51) **LOC (13) Cl.** **12-08**

(52) **U.S. Cl.**
USPC **D12/87**

(58) **Field of Classification Search**
USPC D21/424, 425, 432, 433, 533, 580, 581,
D21/833; D12/3, 86, 87, 88, 107, 110,
D12/123; D15/30
CPC B62D 23/00; B62D 25/00; B62D 39/00;
B62B 13/10; B62B 19/04; B62C 9/00
See application file for complete search history.

(56) **References Cited**

U.S. PATENT DOCUMENTS

D286,760 S * 11/1986 Ooba D12/87
D299,705 S * 2/1989 Carpanelli D12/87
D327,237 S * 6/1992 Miyamoto D12/87
D432,186 S * 10/2000 Kuo D21/433
D503,658 S * 4/2005 Lu D12/87

D535,215 S * 1/2007 Turner D12/87
D549,133 S * 8/2007 LePage D12/87
D601,640 S * 10/2009 McIlvain D21/433
D917,342 S * 4/2021 Choi D12/88

(Continued)

FOREIGN PATENT DOCUMENTS

CN 202030745114.5 * 4/2021
CN 202130167370.5 * 8/2021

(Continued)

OTHER PUBLICATIONS

Hammerhead Off-Road, GTS Platinum, published Jul. 24, 2022[retrieved on Aug. 8, 2022]. Retrieved from the internet:<<https://www.hammerheadoffroad.com/product/gts-platinum/>> (Year: 2022).*

(Continued)

Primary Examiner — Joseph Kukella

Assistant Examiner — Lavon M. Amerson

(74) *Attorney, Agent, or Firm* — Muncy, Geissler, Olds & Lowe, P.C.

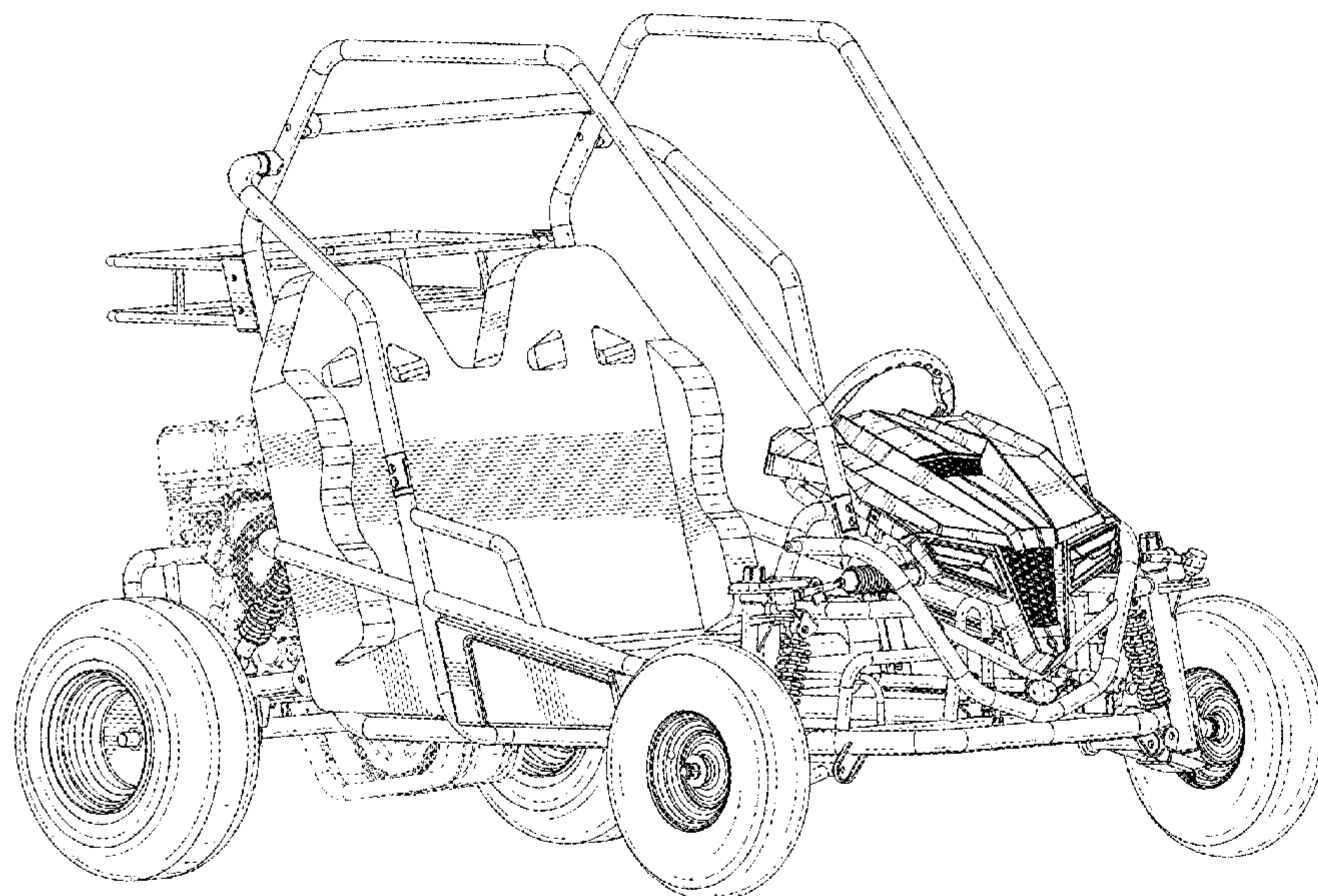
(57) **CLAIM**

The ornamental design for a racing kart, as shown and described.

DESCRIPTION

FIG. 1 is a perspective view of a racing kart showing our new design;
FIG. 2 is another perspective view thereof;
FIG. 3 is a front elevational view thereof;
FIG. 4 is a rear elevational view thereof;
FIG. 5 is a right side view thereof;
FIG. 6 is a left side view thereof;
FIG. 7 is a top plan view thereof; and,
FIG. 8 is a bottom plan view thereof.
The broken lines illustrate portions of the racing kart which form no part of the claimed design.

1 Claim, 8 Drawing Sheets



(56)

References Cited

U.S. PATENT DOCUMENTS

D954,606 S * 6/2022 Lou D12/107
2005/0173180 A1 * 8/2005 Hypes B60K 17/16
475/2

FOREIGN PATENT DOCUMENTS

CN 202130167552.2 * 8/2021
TR 202007277 * 10/2020

OTHER PUBLICATIONS

MotoBuys The Powersports Experts, Trailmaster Cheetah 200X Off Road UTV Go Kart, published Sep. 18, 2021 [retrieved on Aug. 5, 2022]. Retrieved from the internet: <URL:https://motobuys.com/products/trailmaster-cheetah200> (Year: 2021).*

Venom Motorsports, Venom Ultimate Go Kart | 2-Seater | 125CC | Automatic + Reverse, published Sep. 21, 2021 [retrieved on Aug. 5, 2022]. Retrieved from the internet:<URL:https://www.venommotorsportsusa.com/products/coolster-ultimate-125cc-premium-go-kart-gk-6125b> (Year: 2021).*

* cited by examiner

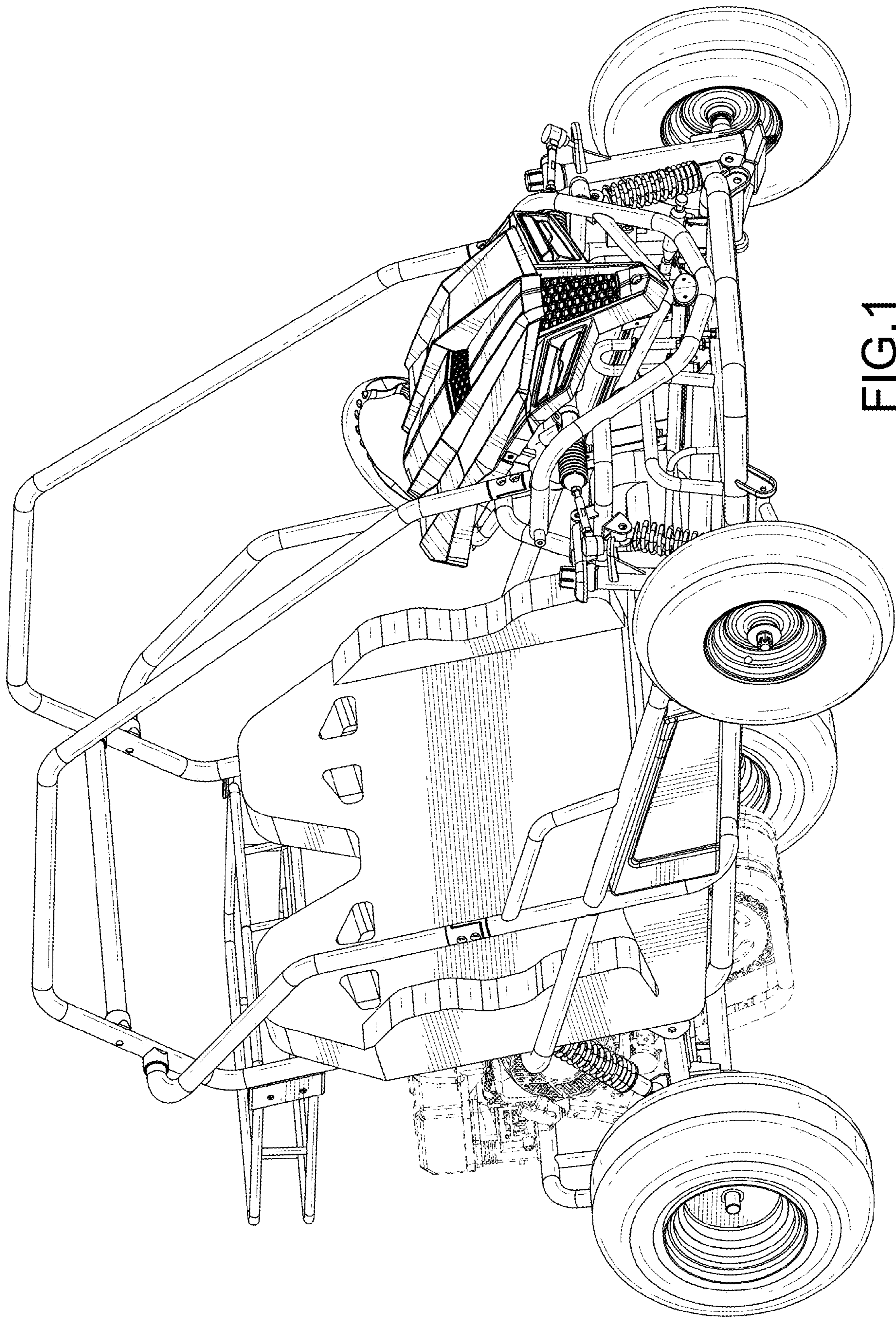


FIG.1

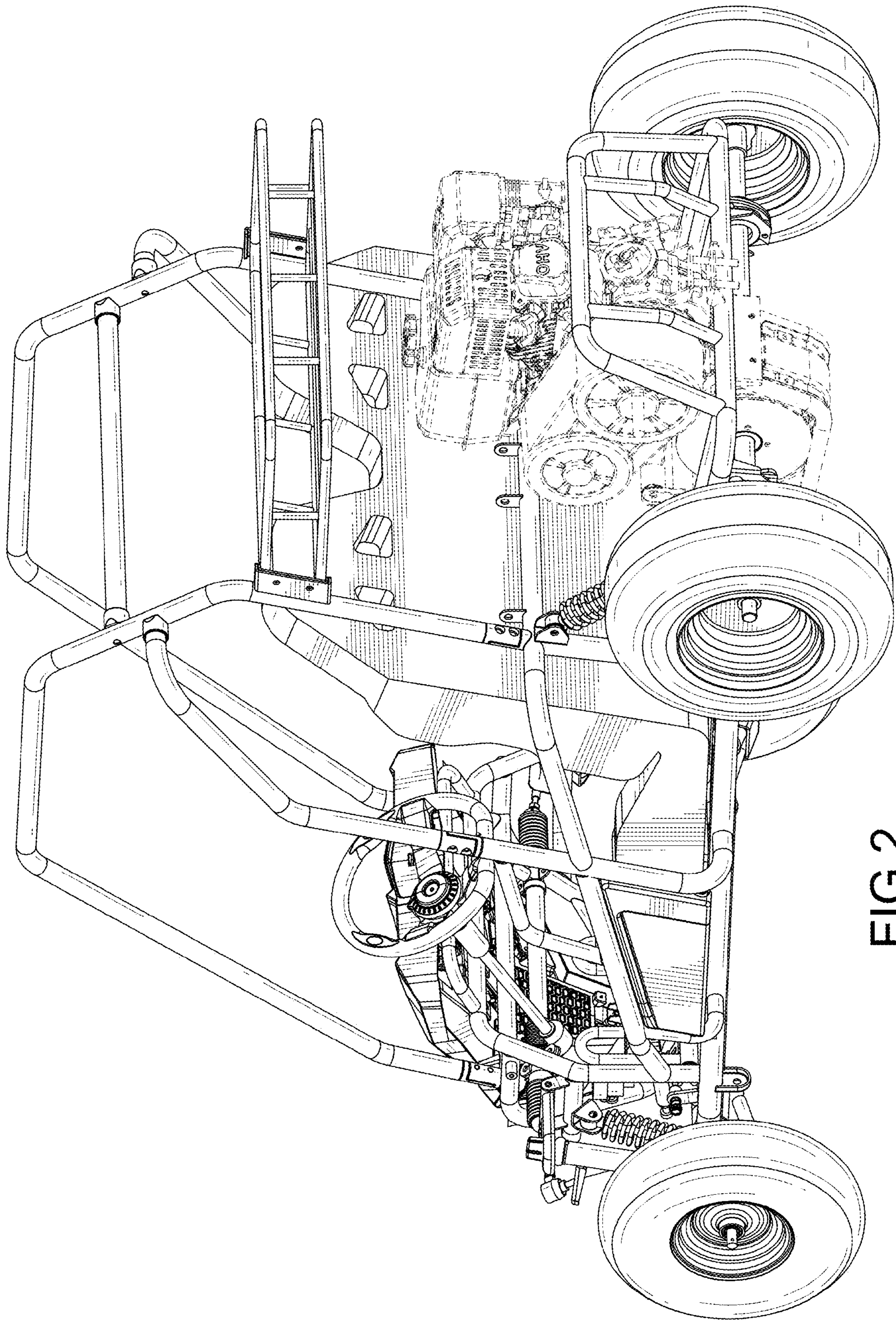


FIG.2

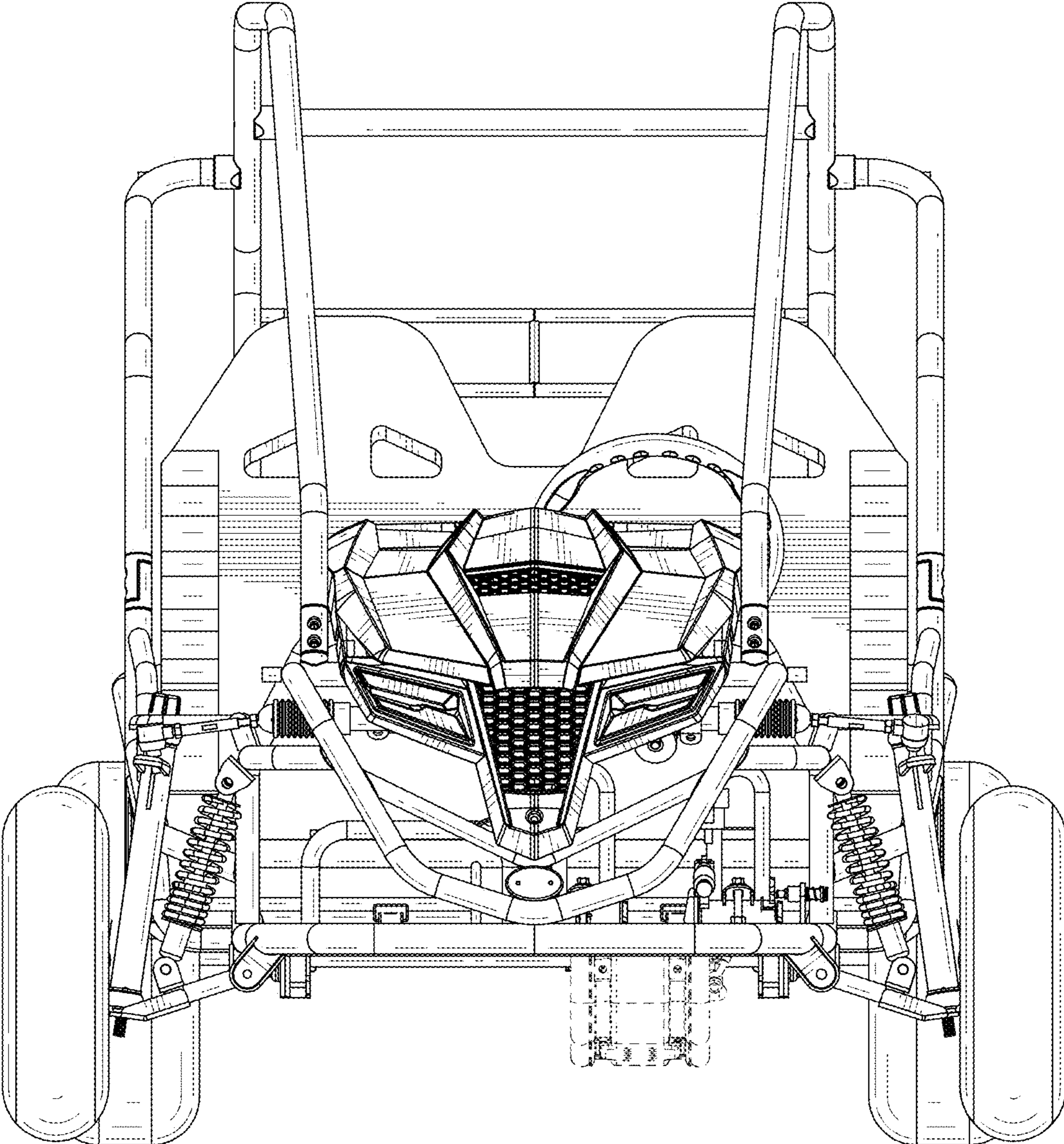


FIG.3

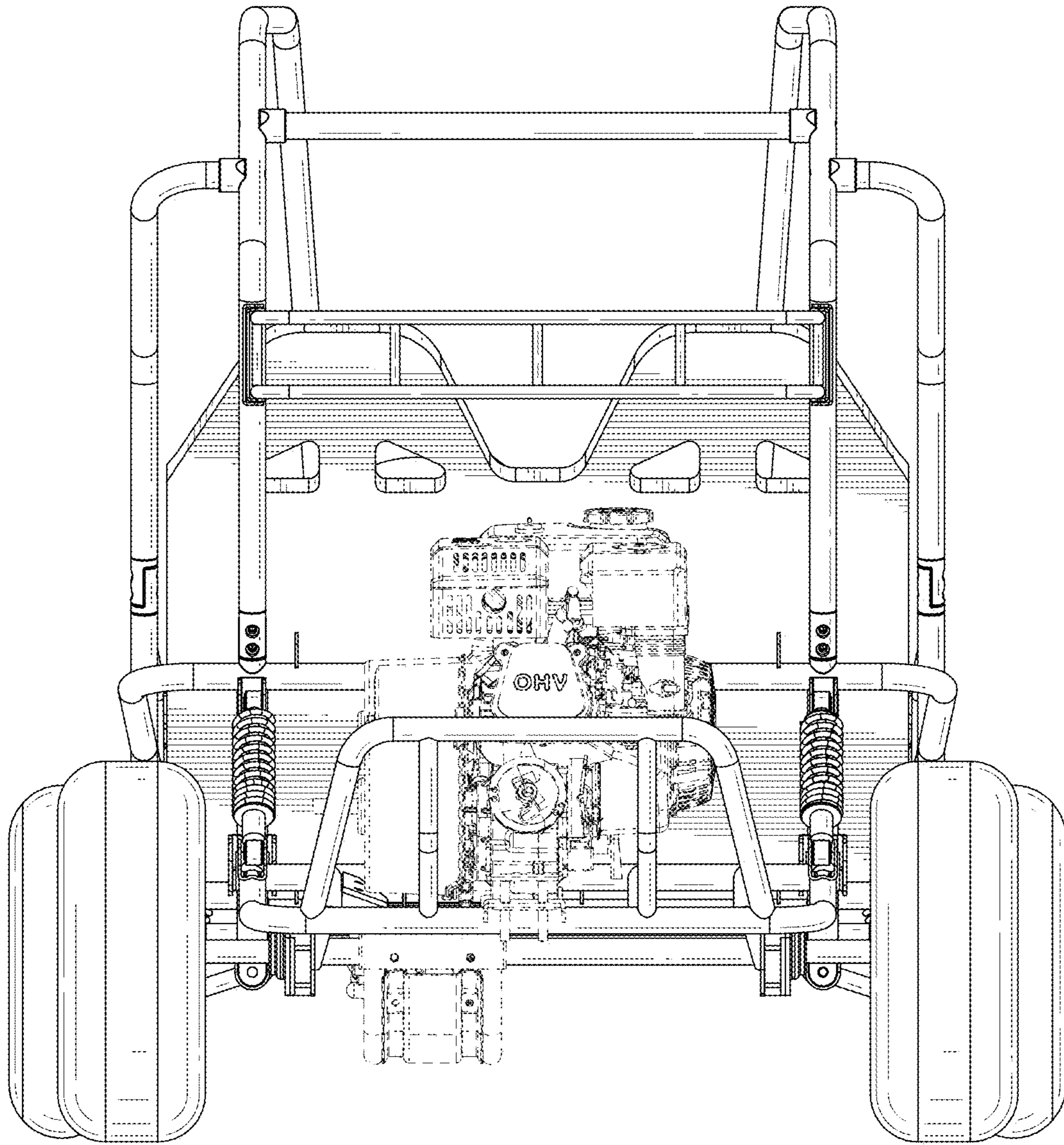


FIG.4

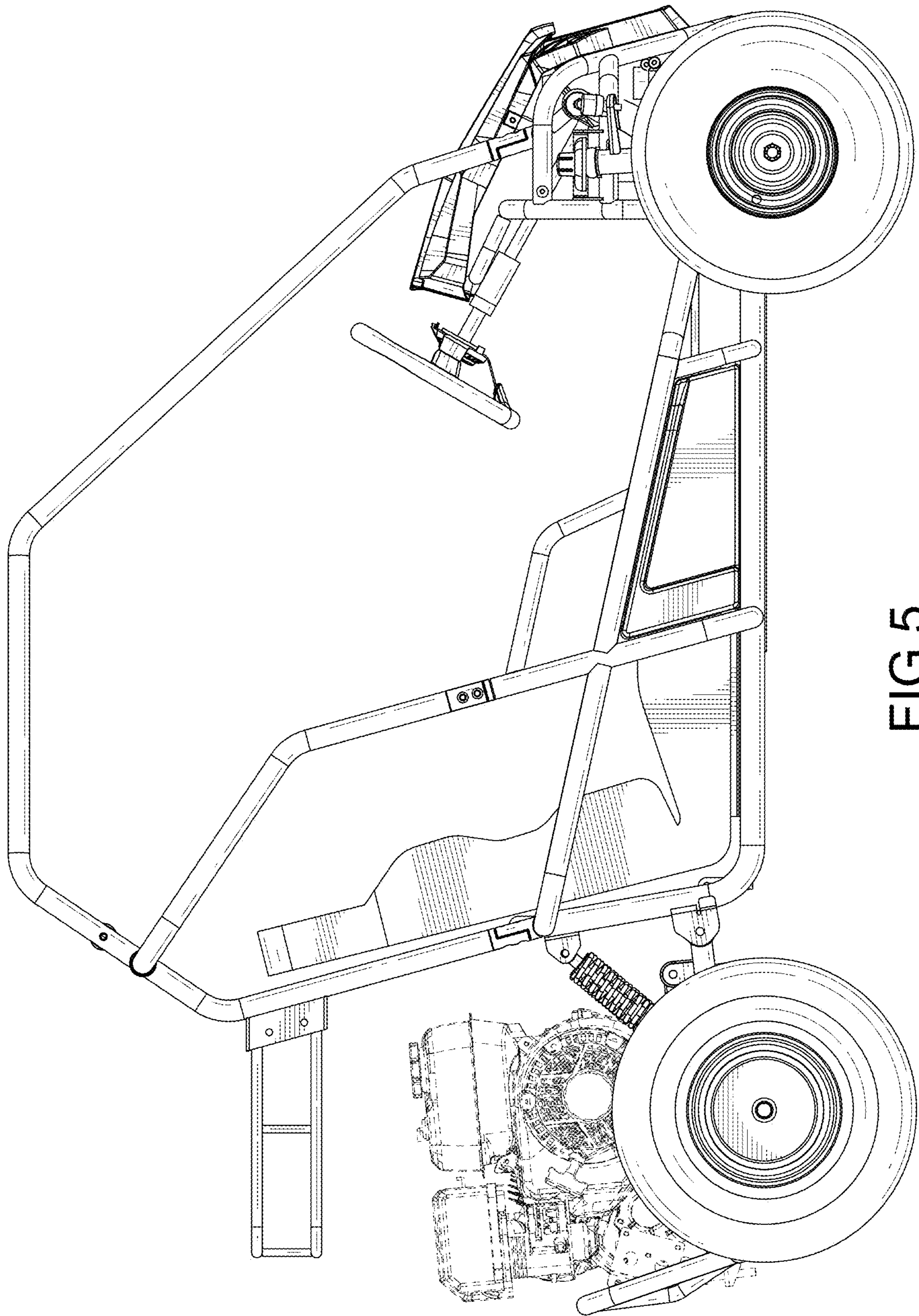


FIG. 5

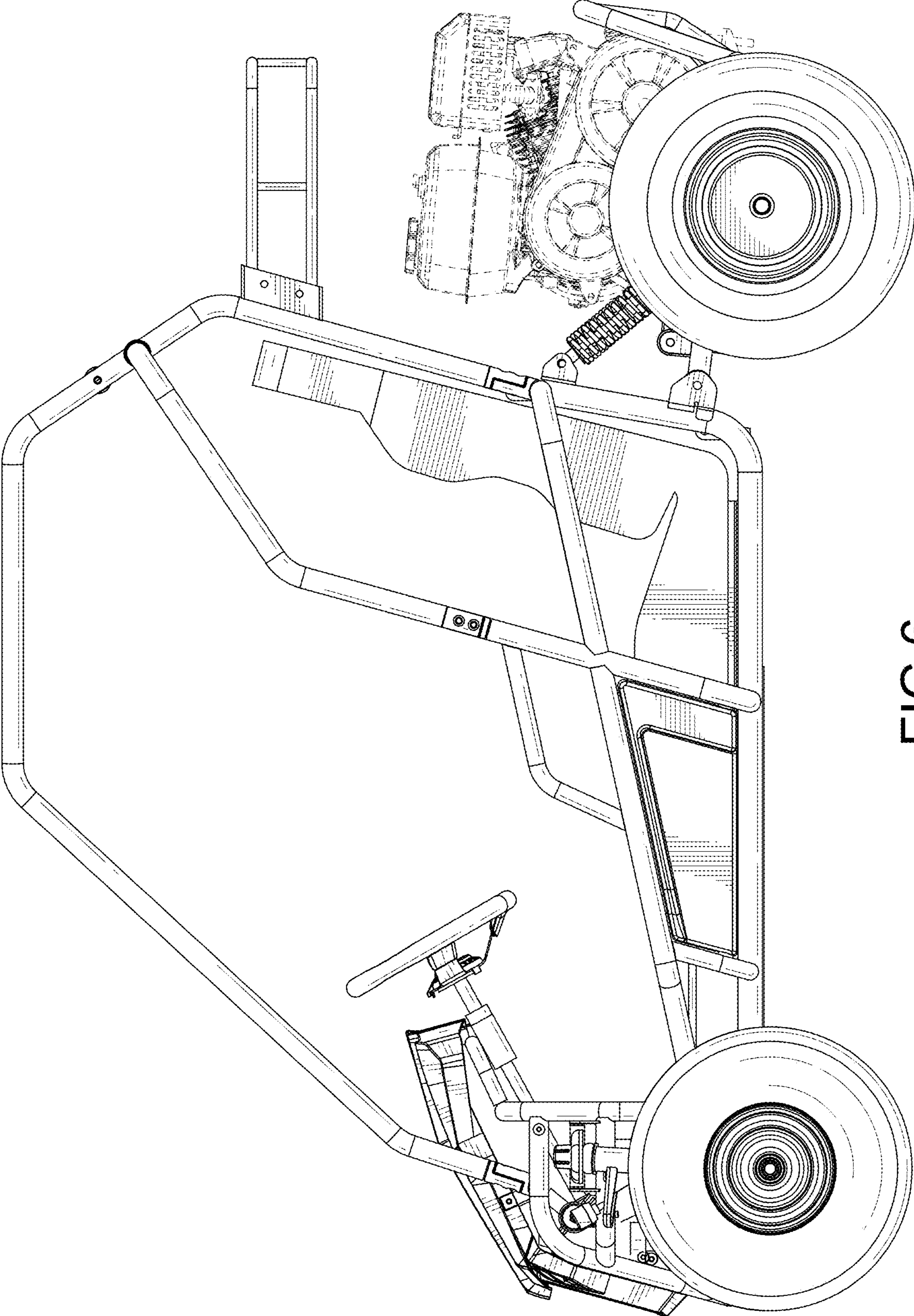


FIG.6

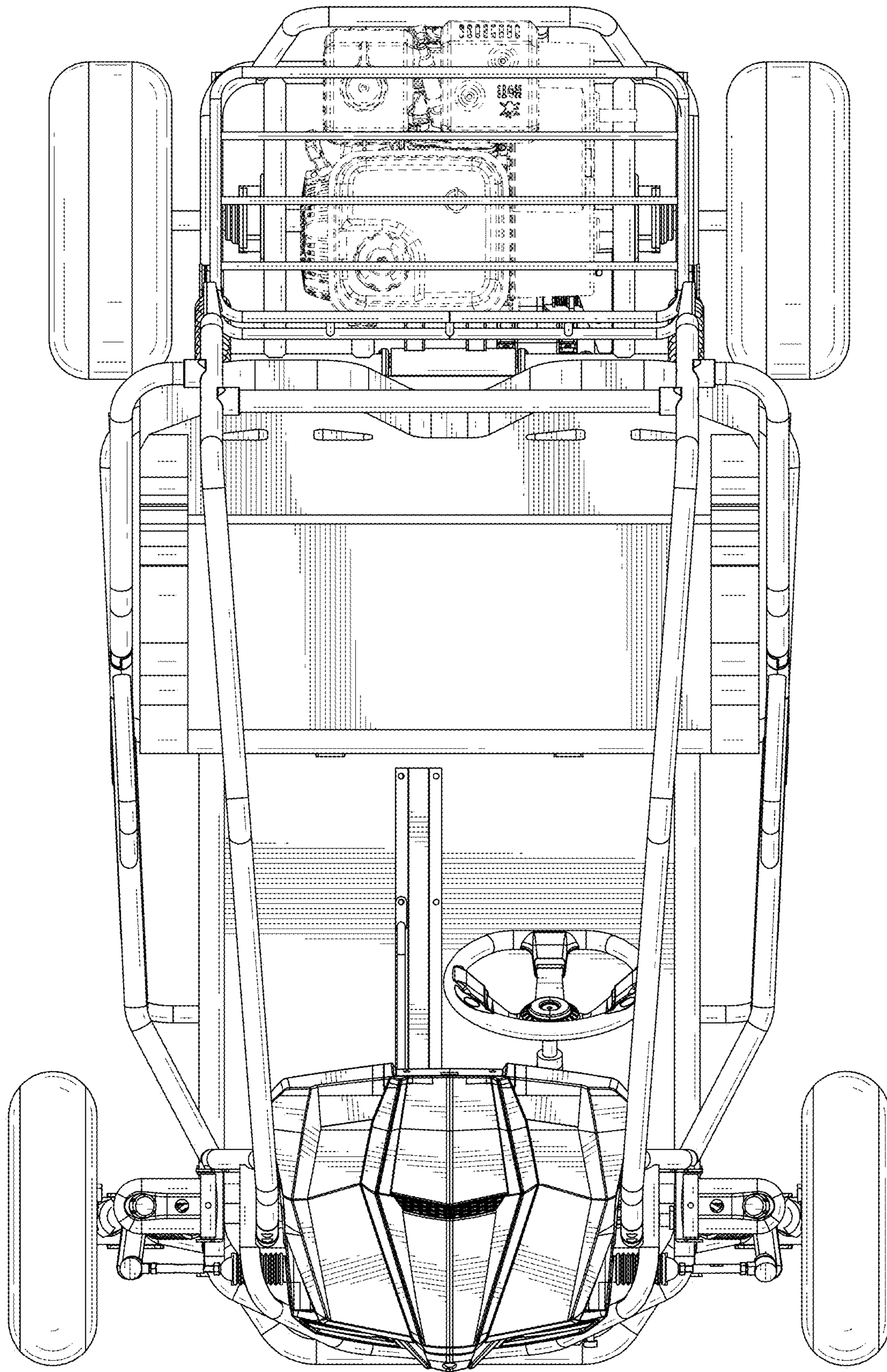


FIG.7

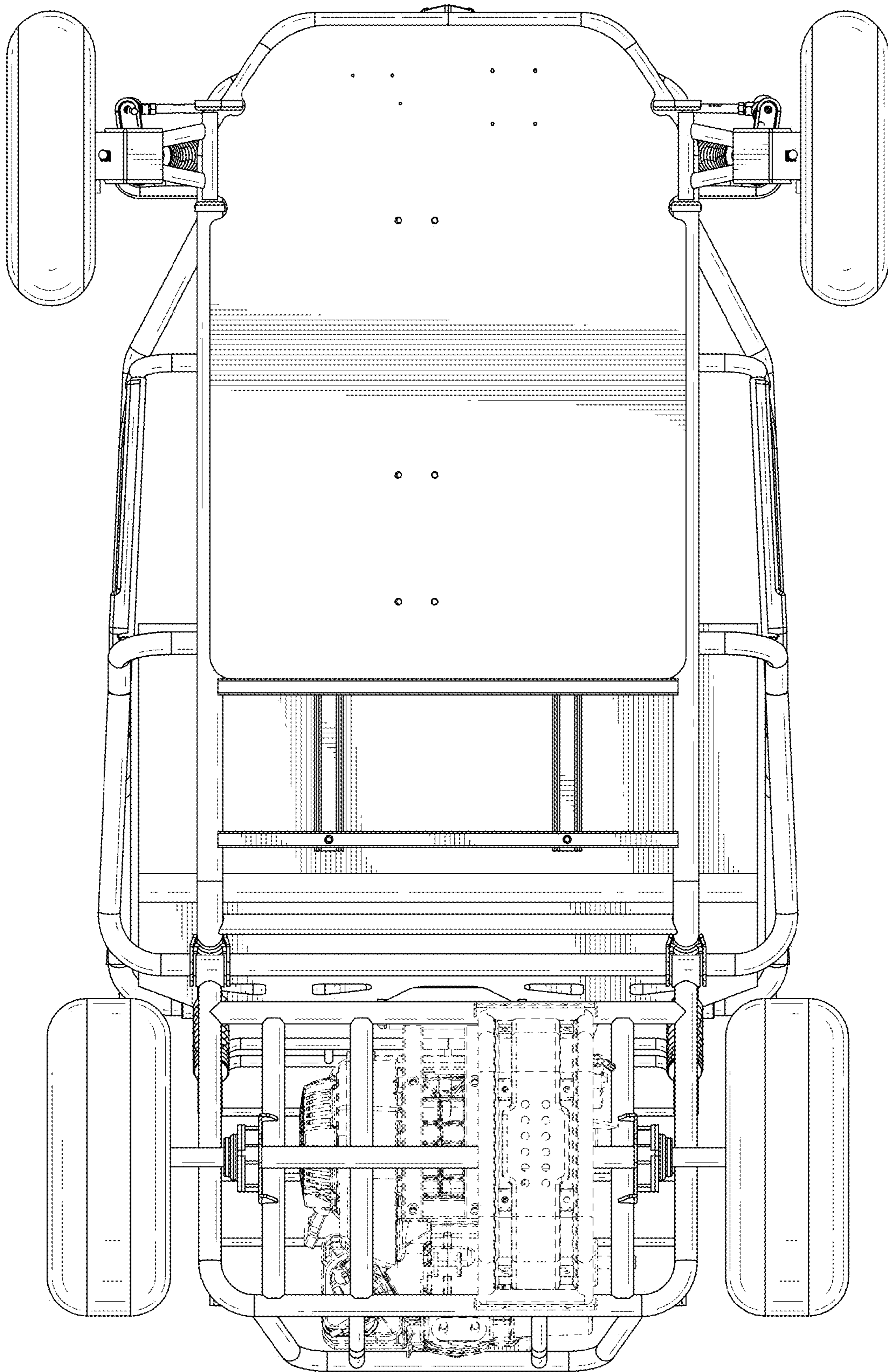


FIG.8