



US00D972976S

(12) **United States Design Patent**  
**Ye et al.**

(10) **Patent No.:** **US D972,976 S**  
(45) **Date of Patent:** **\*\* Dec. 20, 2022**

(54) **ALL-TERRAIN VEHICLE**

33/0612; B62D 29/045; B62D 31/00;  
B62D 31/003; B62D 25/00; B62D 25/02;  
B62D

(71) Applicant: **Shanghai Yixing Power Technology Co., Ltd.**, Shanghai (CN)

(Continued)

(72) Inventors: **Zhangde Ye**, Shanghai (CN); **Hong Ge**, Shanghai (CN); **Lingping Fu**, Shanghai (CN)

(56)

**References Cited**

U.S. PATENT DOCUMENTS

(73) Assignee: **Shanghai Yixing Power Technology Co., Ltd.**, Shanghai (CN)

D147,577 S 9/1947 Cadwallader  
D190,759 S 6/1961 Schreckengost  
3,594,569 A 7/1971 Cranmore

(Continued)

(\*\*) Term: **15 Years**

(21) Appl. No.: **29/766,262**

OTHER PUBLICATIONS

(22) Filed: **Jan. 14, 2021**

Hammerhead Off-Road LE-150, Published on May 28, 2019 [online], [retrieved on Jun. 1, 2021]. Retrieved from the Internet: <https://www.youtube.com/watch?v=BF5TeJvDTm0> (Year: 2019).\*

(Continued)

**Related U.S. Application Data**

(62) Division of application No. 29/707,216, filed on Sep. 26, 2019, now Pat. No. Des. 908,536.

*Primary Examiner* — Cary M Robinson

*Assistant Examiner* — Adam C Mager

(30) **Foreign Application Priority Data**

Mar. 29, 2019 (CN) ..... 201930138102.3  
Mar. 29, 2019 (CN) ..... 201930138103.8  
Mar. 29, 2019 (CN) ..... 201930138678.X

(74) *Attorney, Agent, or Firm* — Faegre Drinker Biddle & Reath LLP

(51) **LOC (13) Cl.** ..... **12-08**

(57)

**CLAIM**

(52) **U.S. Cl.**

USPC ..... **D12/87**

The ornamental design for an all-terrain vehicle, as shown and described.

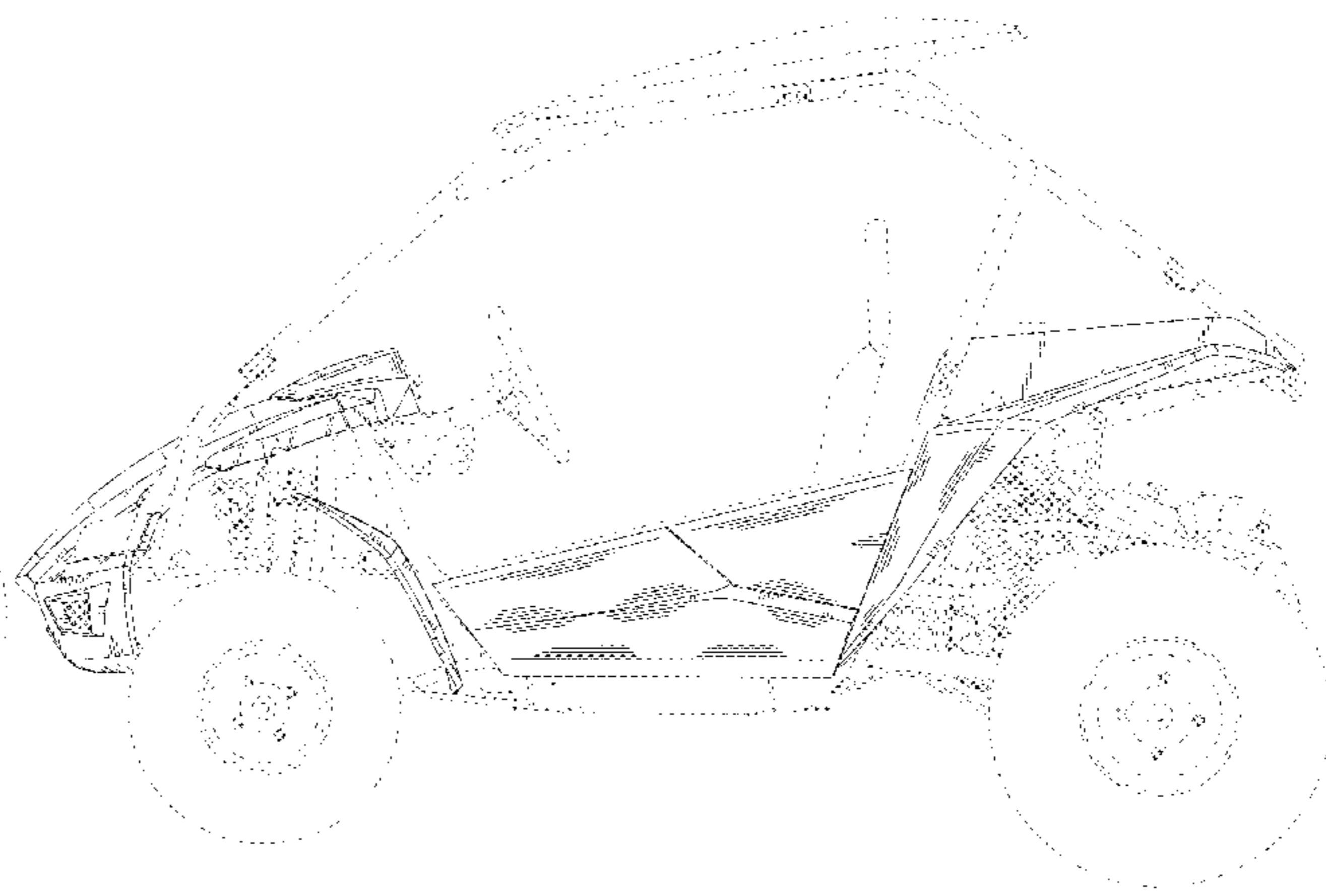
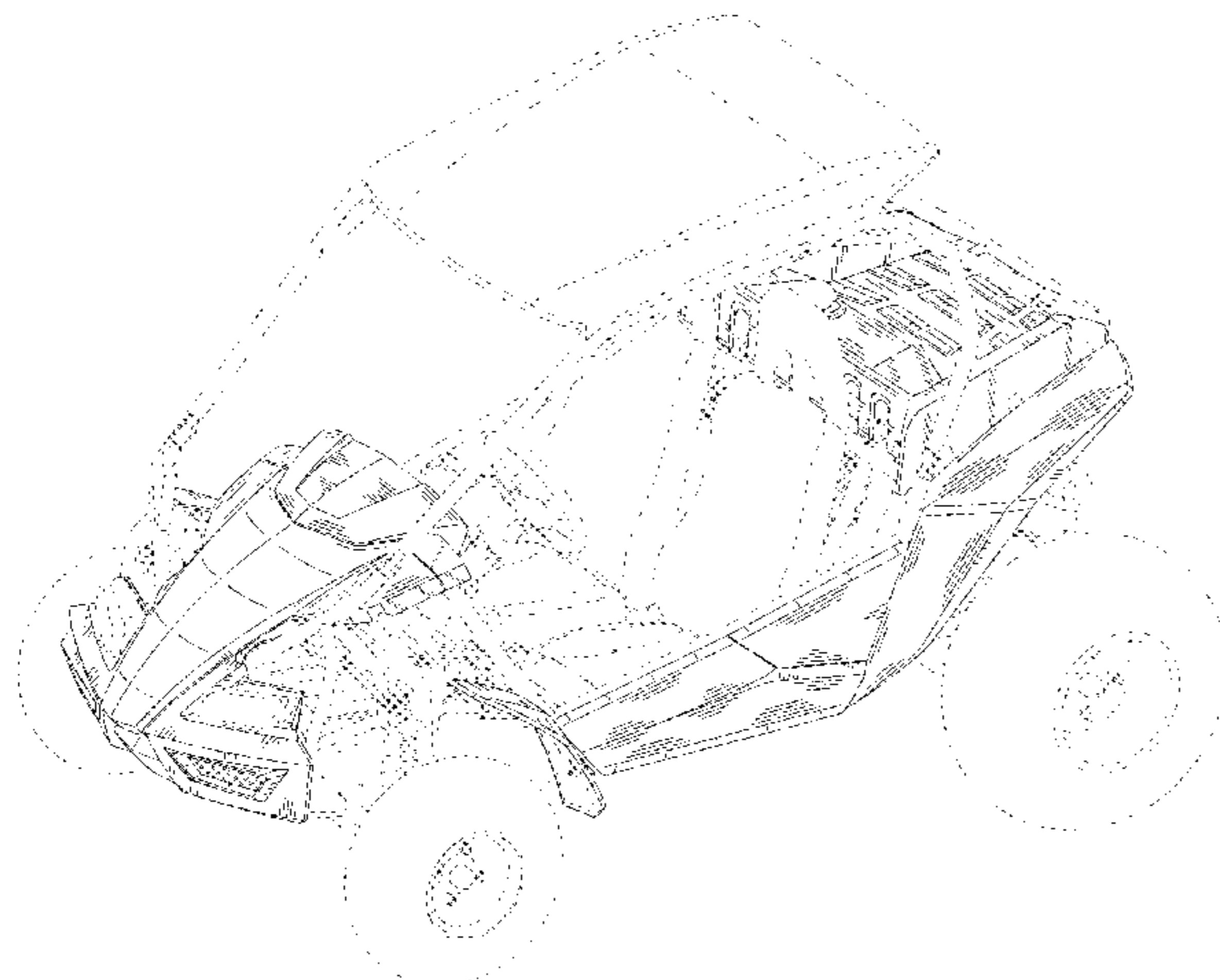
(58) **Field of Classification Search**

USPC ... D12/1, 14, 82, 84, 85, 86, 87, 88, 89, 90,  
D12/91, 92, 93, 94, 96, 97, 98, 99, 100,  
D12/164, 167, 169, 170, 171, 172, 173,  
D12/181, 184, 185, 190, 192, 196;  
D21/533, 548, 552, 561  
CPC ..... B60Y 2200/10; B60Y 2200/14; B60Y  
2200/22; B60Y 2200/41; B60Y 2200/90;  
B60Y 2200/91; B60Y 2200/112; B60Y  
2200/141; B60Y 2200/142; B60Y  
2200/1422; B62D 33/00; B62D 33/06;  
B62D 33/077; B62D 33/0604; B62D

**DESCRIPTION**

FIG. 1 is a left front perspective view of an all-terrain vehicle of the present disclosure;  
FIG. 2 is a right rear perspective view thereof;  
FIG. 3 is a left side view thereof;  
FIG. 4 is a right side view thereof;  
FIG. 5 is a top view thereof;  
FIG. 6 is a front view thereof; and,  
FIG. 7 is a rear view thereof.

(Continued)



The broken lines in the drawings illustrate portions of the all-terrain vehicle in which the design is embodied that form no part of the claimed design.

**1 Claim, 7 Drawing Sheets**

(58) **Field of Classification Search**

CPC ..... 25/08; B62D 25/10; B62D 25/12; B62D 25/105

See application file for complete search history.

(56) **References Cited**

U.S. PATENT DOCUMENTS

D229,507 S	12/1973	Boano	
4,635,173 A	1/1987	Dressler et al.	
4,747,032 A	5/1988	Weber	
4,903,173 A	2/1990	Mochizuki et al.	
D314,630 S	2/1991	Fukagawa	
5,117,335 A	5/1992	Yamada	
5,121,303 A	6/1992	Shirai et al.	
5,530,629 A	6/1996	Uehara	
D452,923 S	1/2002	Kim	
D465,590 S	11/2002	Warming	
D474,290 S	5/2003	Sawai et al.	
D476,756 S	7/2003	Weber et al.	
D485,923 S	1/2004	Kuo	
D495,440 S	8/2004	Hsieh	
D519,439 S	4/2006	Dahl et al.	
D520,252 S	5/2006	Tandrup et al.	
D521,662 S	5/2006	Chu	
D538,956 S	3/2007	Ishii	
D539,946 S	4/2007	Lamarre	
D549,133 S	8/2007	Lepage	
D562,734 S	2/2008	Tandrup	
D569,015 S	5/2008	Tsukui et al.	
D577,841 S	9/2008	Opfer et al.	
D583,968 S	12/2008	Simons et al.	
D595,188 S	6/2009	Tandrup	
D595,613 S	7/2009	Lai et al.	
D622,631 S	8/2010	Lai et al.	
D624,852 S	10/2010	Tandrup et al.	
D625,662 S	10/2010	Li	
D633,006 S *	2/2011	Sanschagrín	D12/1
D636,707 S	4/2011	Bracy et al.	
D638,755 S	5/2011	Bracy et al.	
D647,225 S	10/2011	Conway et al.	
D650,311 S	12/2011	Bracy	
D657,720 S	4/2012	Eck et al.	
D658,320 S	4/2012	Goplen	
D662,855 S	7/2012	Wang	
D670,840 S	11/2012	McCabe et al.	
D691,519 S	10/2013	Fisher	
D700,869 S	3/2014	Sato et al.	
D701,469 S *	3/2014	Lai	D12/87
D703,102 S *	4/2014	Eck	D12/87

D708,769 S	7/2014	Badstuebner	
D712,309 S	9/2014	Wu et al.	
D712,311 S	9/2014	Morgan et al.	
D714,186 S	9/2014	Wu et al.	
D719,061 S *	12/2014	Tandrup	D12/87
D721,837 S	1/2015	Conway et al.	
D742,046 S	10/2015	Hwang et al.	
D759,129 S	6/2016	Kushita et al.	
D762,522 S *	8/2016	Kinoshita	D12/87
D772,755 S *	11/2016	Tandrup	D12/87
D778,469 S	2/2017	Ito et al.	
D778,470 S	2/2017	Ito et al.	
D779,693 S	2/2017	Wolff et al.	
D785,824 S	5/2017	Svensson et al.	
D787,985 S	5/2017	Wilcox et al.	
9,713,976 B2	7/2017	Miller et al.	
D796,096 S	8/2017	Rudwal et al.	
D796,708 S	9/2017	Lai	
D801,562 S	10/2017	Kang	
D802,812 S	11/2017	Lai	
D804,993 S	12/2017	Eck et al.	
D806,916 S	1/2018	Lai	
D827,500 S	9/2018	Lovold et al.	
D832,149 S	10/2018	Wilcox et al.	
D835,545 S *	12/2018	Hanten	D12/87
D851,300 S	6/2019	Lin	
D851,301 S	6/2019	Lin	
D858,815 S	9/2019	Huang	
D858,824 S	9/2019	Pinazzo et al.	
D859,703 S	9/2019	Lai	
D862,286 S *	10/2019	Flores	D12/87
D864,439 S	10/2019	Janssen et al.	
D865,237 S	10/2019	Wu	
D865,241 S	10/2019	Wu	
D866,823 S	11/2019	Lin	
D868,321 S	11/2019	Kong et al.	
D877,374 S	3/2020	Luo	
D881,423 S	4/2020	Dunshee et al.	
D886,678 S *	6/2020	Lai	D12/87
D889,699 S	7/2020	Woodhouse et al.	
D895,862 S	9/2020	Lin	
D896,702 S *	9/2020	Dunshee	D12/87
D908,536 S *	1/2021	Ye	D12/87
D909,633 S	2/2021	Hegge	
D909,635 S	2/2021	Huang	
D913,847 S *	3/2021	Hashimoto	D12/87
D927,355 S *	8/2021	Mikhailov	D12/87
2015/0224916 A1	8/2015	Wandelt	
2017/0291353 A1	10/2017	Sagesaka et al.	

OTHER PUBLICATIONS

RZR S 1000 Dominant 60" Trail Weapon, 2020 Polaris RZR S 1000 SxS, rZR.polaris.com, published on or before Jul. 10, 2020; 9 pages. RZR S 1000 SxS—Polaris, rZR.polaris.com [online]. Published on or before Jul. 10, 2020, [retrieved on Jul. 10, 2020], Retrieved from the Internet: <URL:https://rZR.polaris.com/en-us/rZR-s-1000/> (Year: 2020).

\* cited by examiner

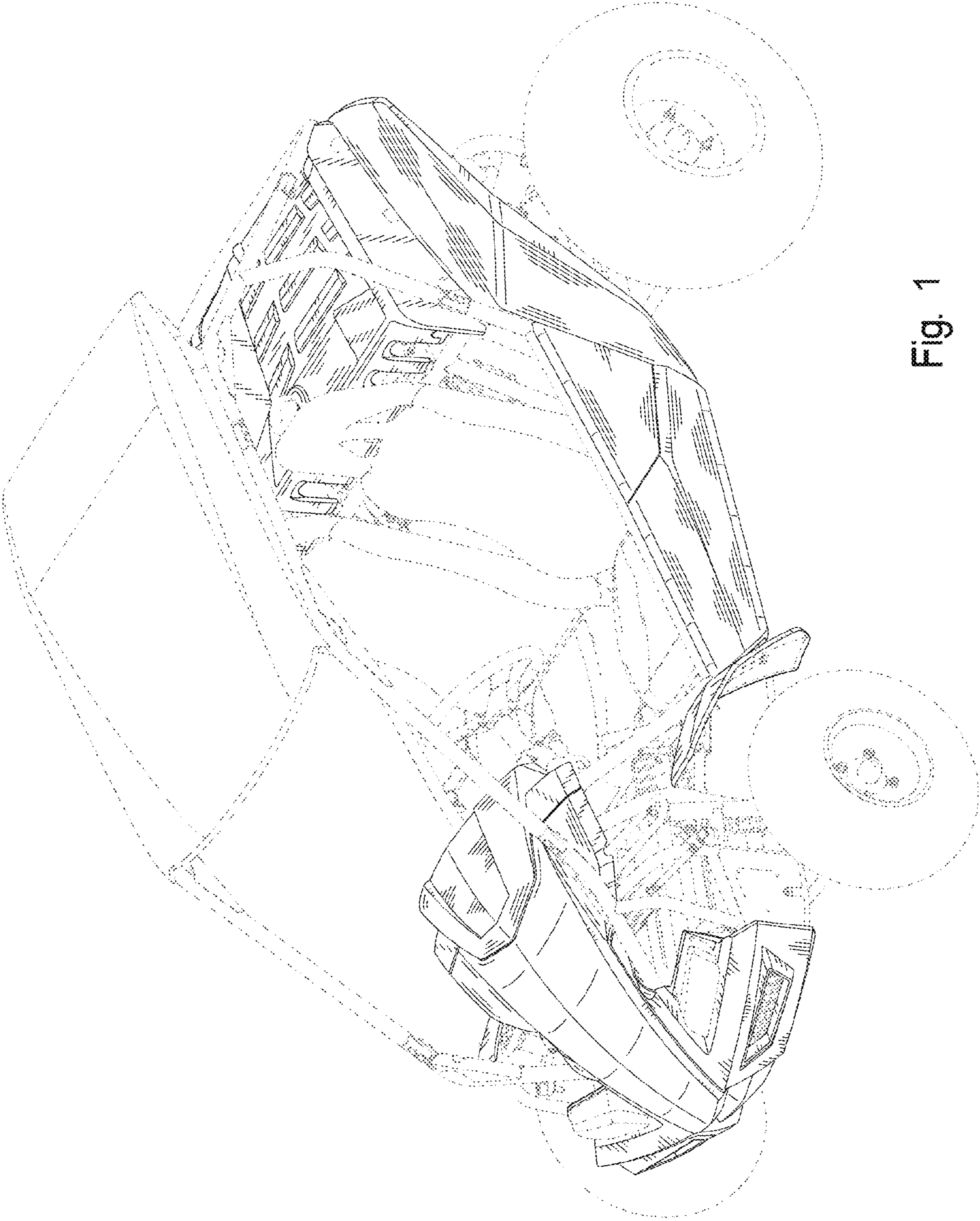


Fig. 1

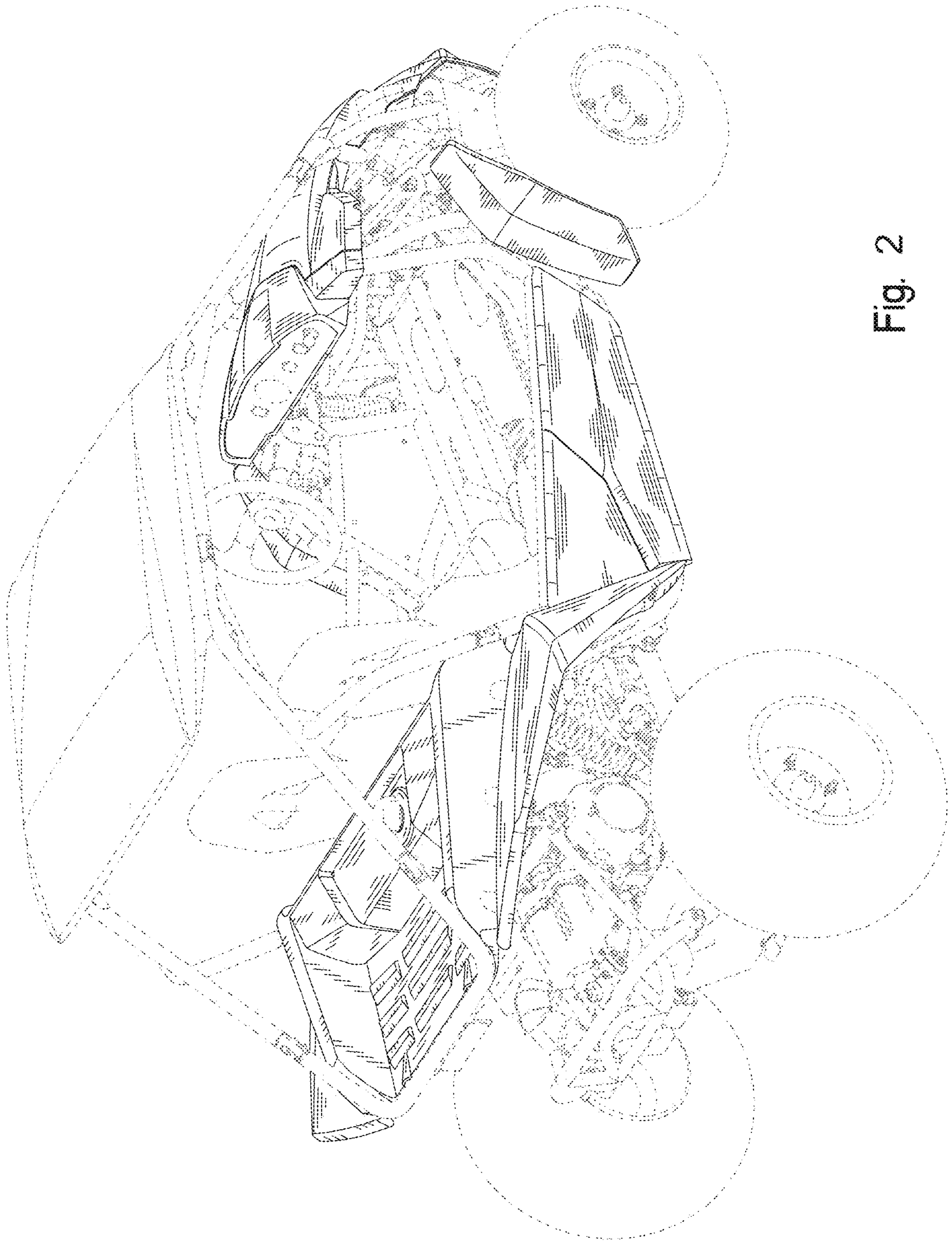


Fig. 2

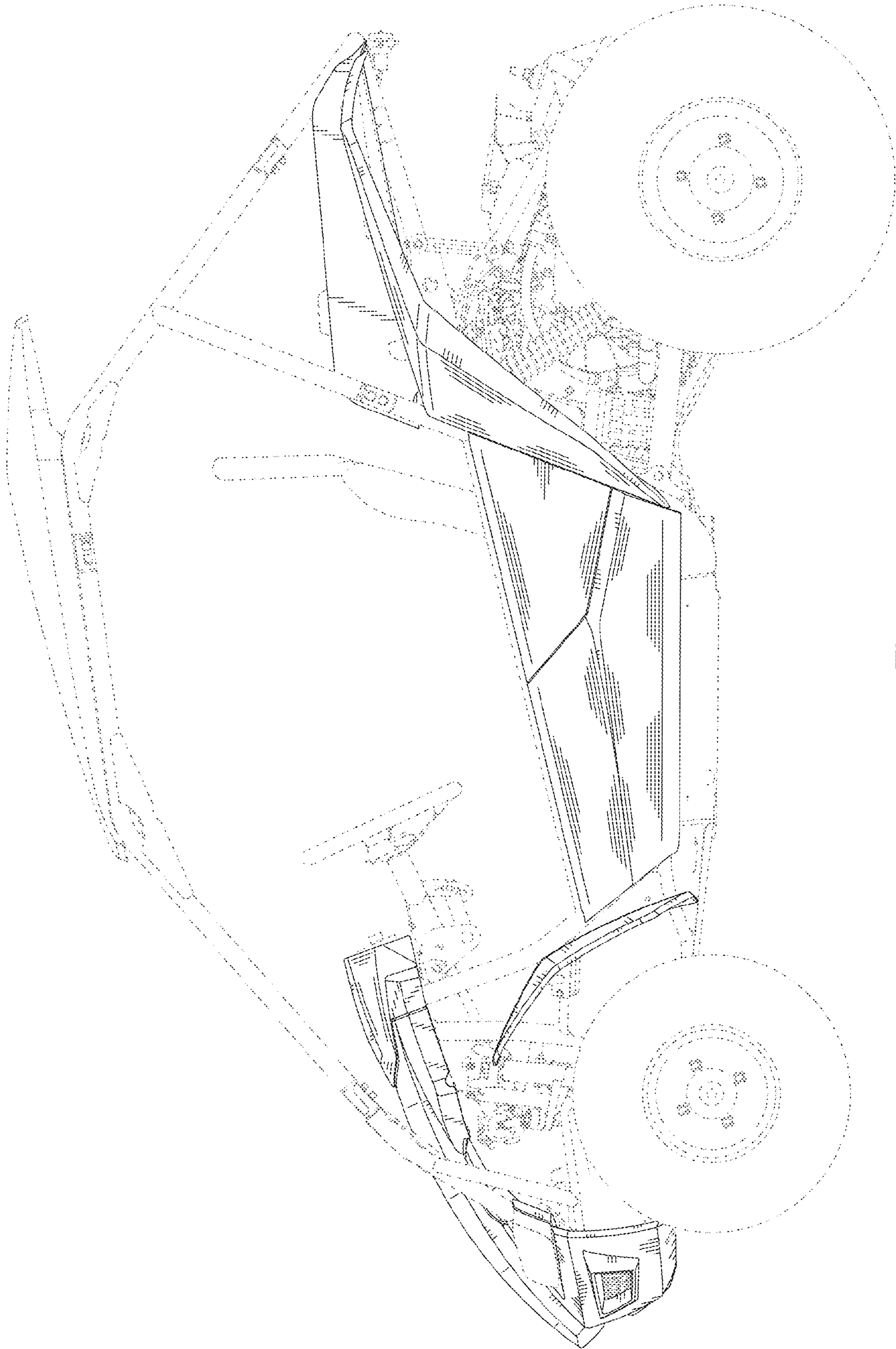


Fig. 3

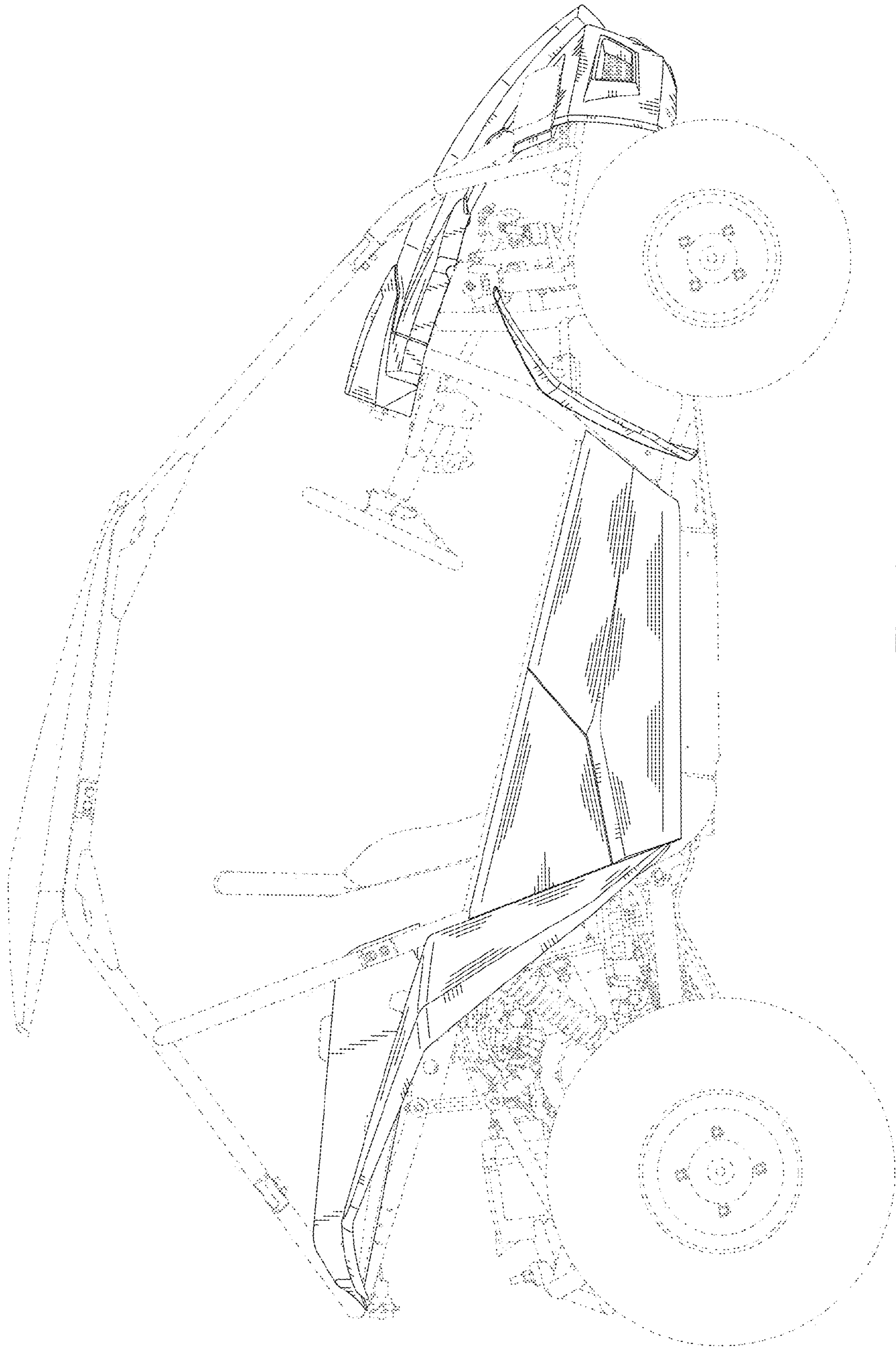


Fig. 4

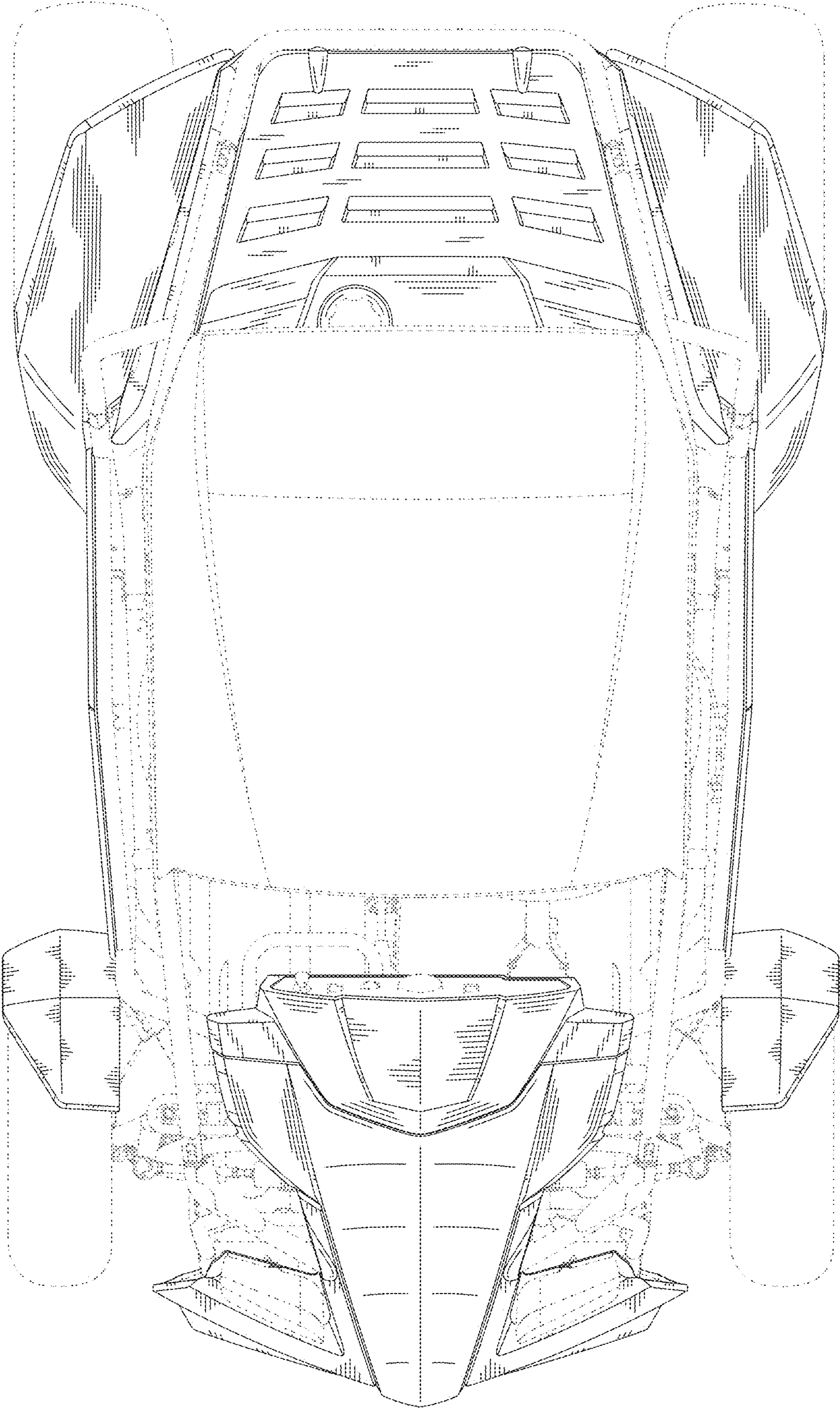


Fig. 5

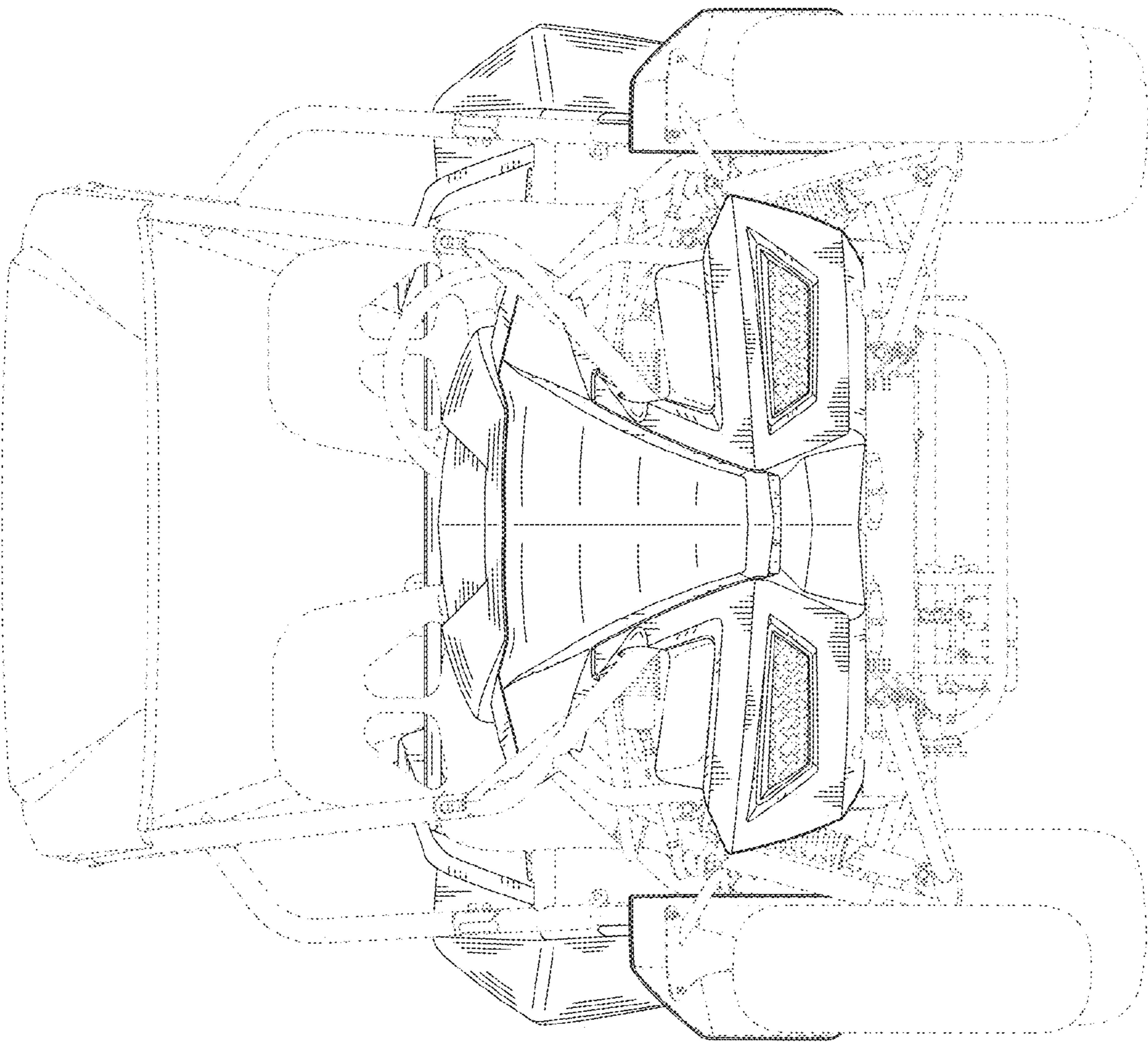


Fig. 6



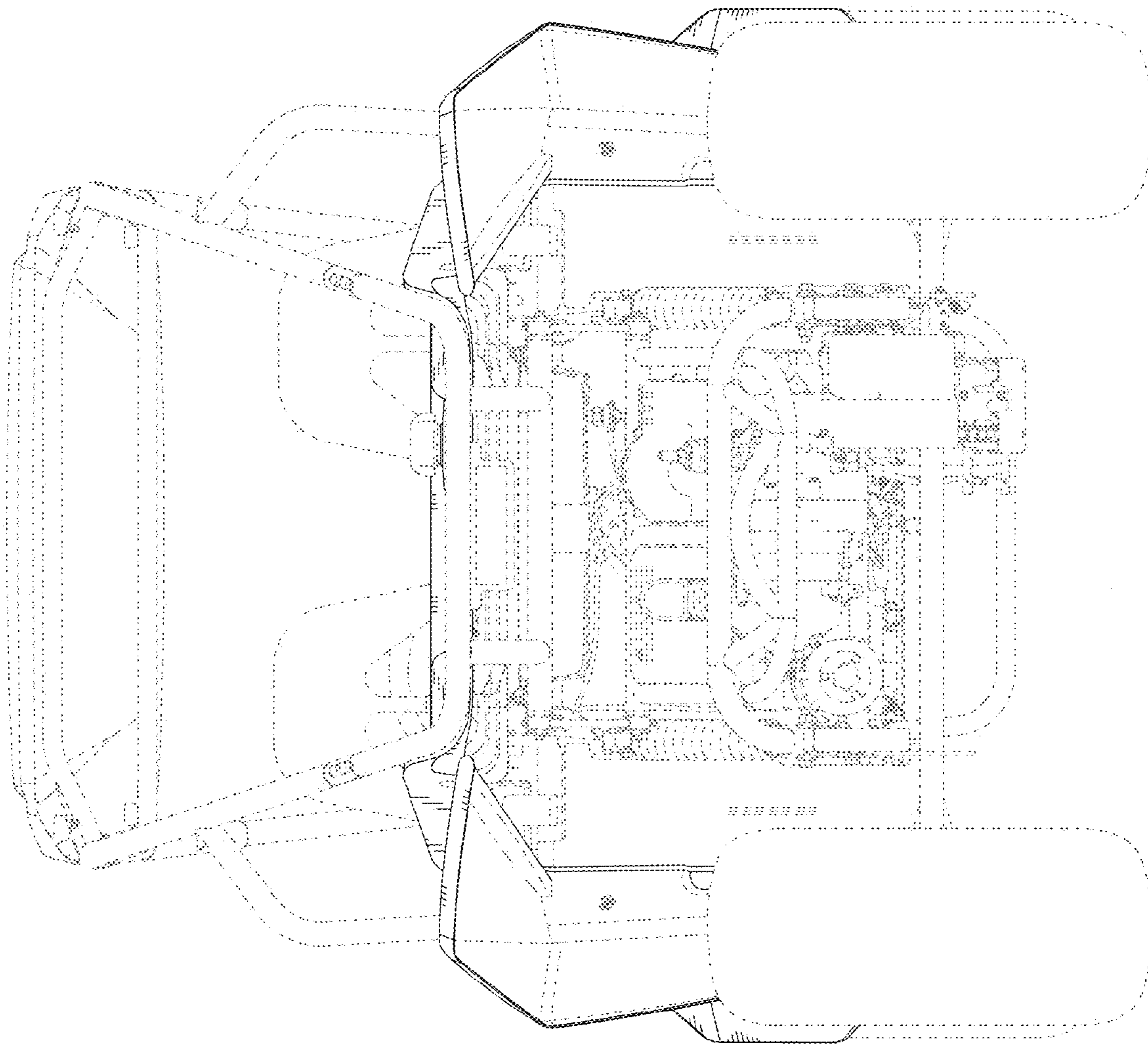


Fig. 7