



US00D972974S

(12) **United States Design Patent**
Li

(10) **Patent No.:** **US D972,974 S**

(45) **Date of Patent:** **** Dec. 20, 2022**

(54) **DRONE**

(71) Applicant: **Guangdong Attop Technology Co., Ltd, Shantou (CN)**

(72) Inventor: **Sijin Li, Shantou (CN)**

(**) Term: **15 Years**

(21) Appl. No.: **29/804,040**

(22) Filed: **Aug. 18, 2021**

(51) **LOC (13) Cl.** **12-06**

(52) **U.S. Cl.**
USPC **D12/16.1**

(58) **Field of Classification Search**
USPC D12/1, 2, 3, 4, 16.1, 174, 319–345;
D21/301, 436, 438, 441–455
CPC ... B64C 39/00; B64C 39/024; B64C 2201/00;
B64C 2201/024; B64C 2201/042; B64C
2201/086; B64C 2201/088; B64C
2201/102; B64C 2201/104; B64C
2201/108; B64C 2201/12; B64C
2201/123; B64C 2201/127; B64C
2201/141; B64C 2201/146; B64C 29/00;
B64C 29/0025; B64C 29/0033; B64C
29/02; B64C 27/08; B64C 3/10; B64C
2203/00

See application file for complete search history.

(56) **References Cited**

U.S. PATENT DOCUMENTS

D800,016 S * 10/2017 Huang D12/16.1
D813,724 S * 3/2018 Hu D12/16.1
D825,379 S * 8/2018 Gury et al.
D843,267 S * 3/2019 Gao D12/16.1
D854,448 S * 7/2019 Chen D12/16.1
D861,573 S * 10/2019 He D12/328

D869,375 S * 12/2019 Kim D12/328
D873,175 S * 1/2020 Li D12/328
D881,067 S * 4/2020 Zhou D12/16.1
D882,460 S * 4/2020 Chen D12/16.1
D884,554 S * 5/2020 Chen D12/16.1
D913,153 S * 3/2021 Bowers
D918,087 S * 5/2021 He D12/319
D918,308 S * 5/2021 Xu D21/441
D944,118 S * 2/2022 Lin D12/16.1

* cited by examiner

Primary Examiner — Cary M Robinson

Assistant Examiner — Adam C Mager

(74) *Attorney, Agent, or Firm* — Runit Ranjit Kanakia

(57) **CLAIM**

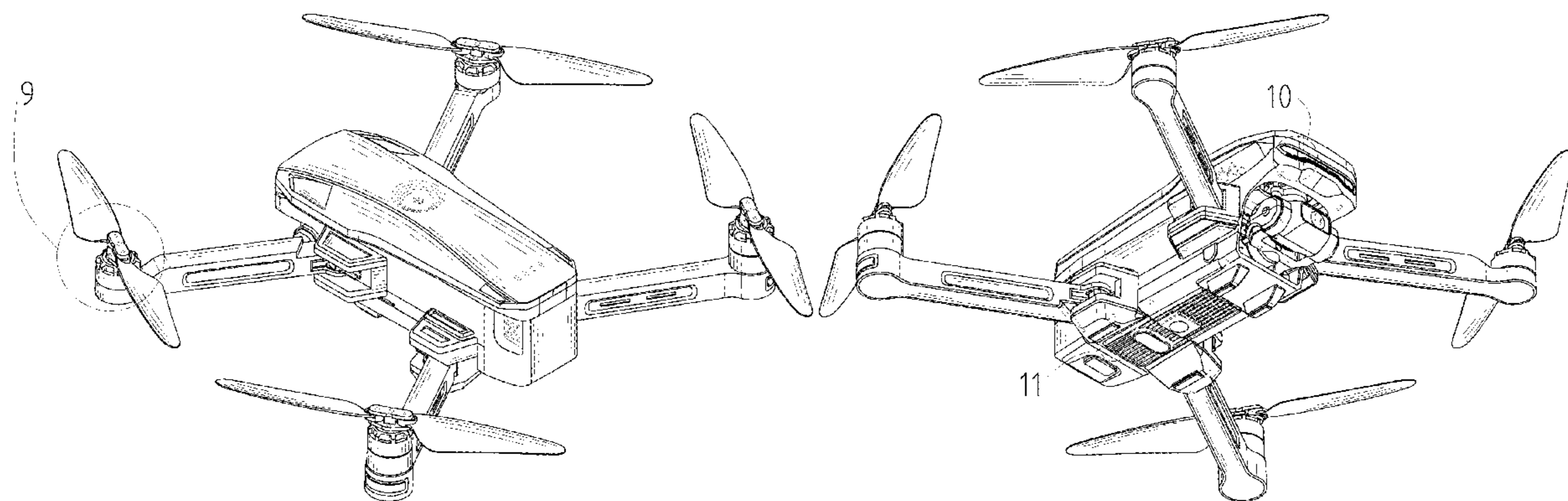
The ornamental design for a drone, as shown and described.

DESCRIPTION

FIG. 1 is a first perspective view of a drone showing my new design;
FIG. 2 is a second perspective view thereof;
FIG. 3 is a front view thereof;
FIG. 4 is a back view thereof;
FIG. 5 is a left side view thereof;
FIG. 6 is a right side view thereof;
FIG. 7 is a top view thereof;
FIG. 8 is a bottom view thereof;
FIG. 9 is an enlarged view of the selected portion in FIG. 1;
FIG. 10 is an enlarged view of the selected portion in FIG. 2; and,
FIG. 11 is an enlarged view of the selected portion in FIG. 2.

The broken lines shown in the drawings depict portions of the drone in which the design is embodied that form no part of the claimed design.

1 Claim, 11 Drawing Sheets



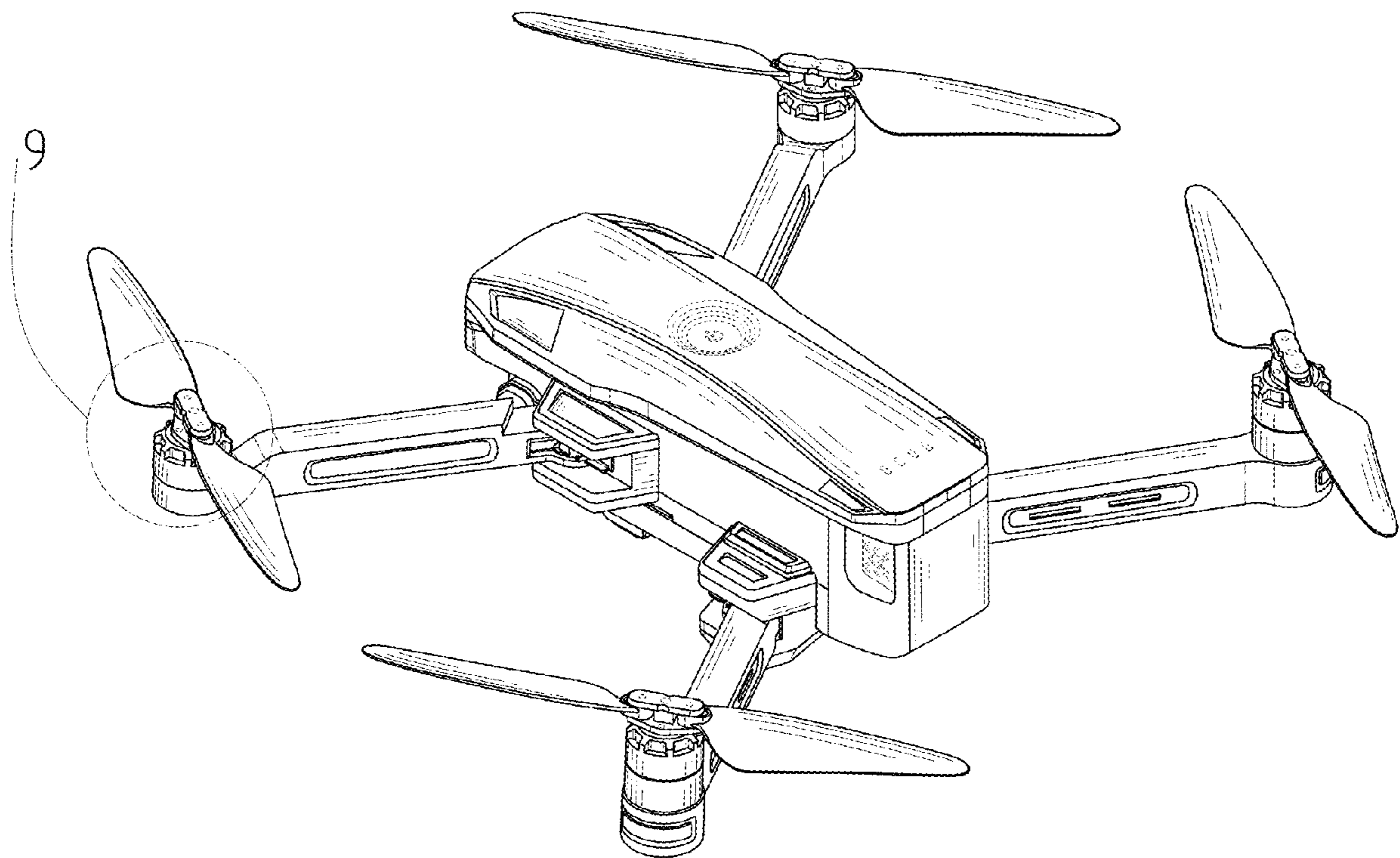


FIG. 1

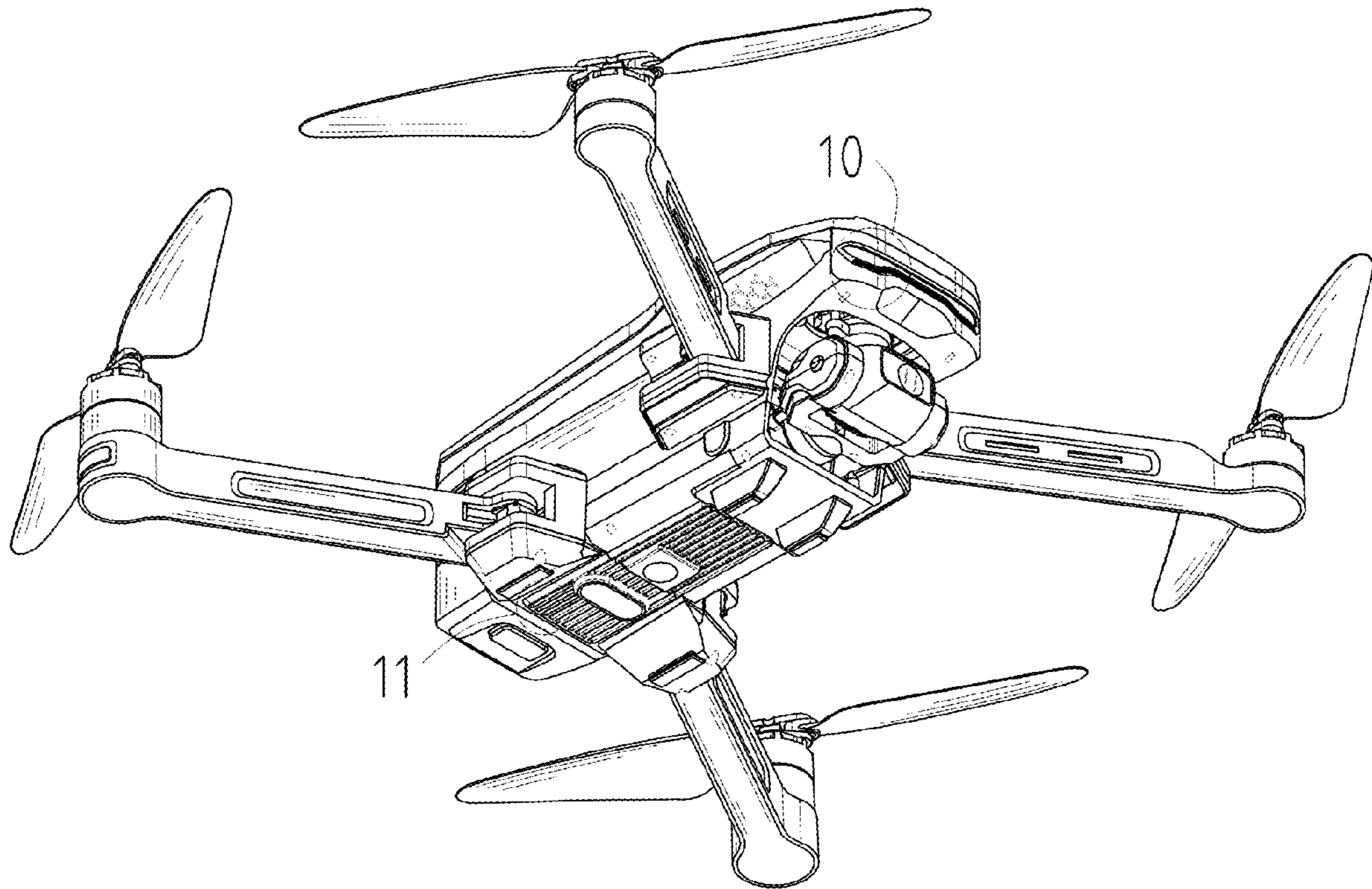


FIG. 2

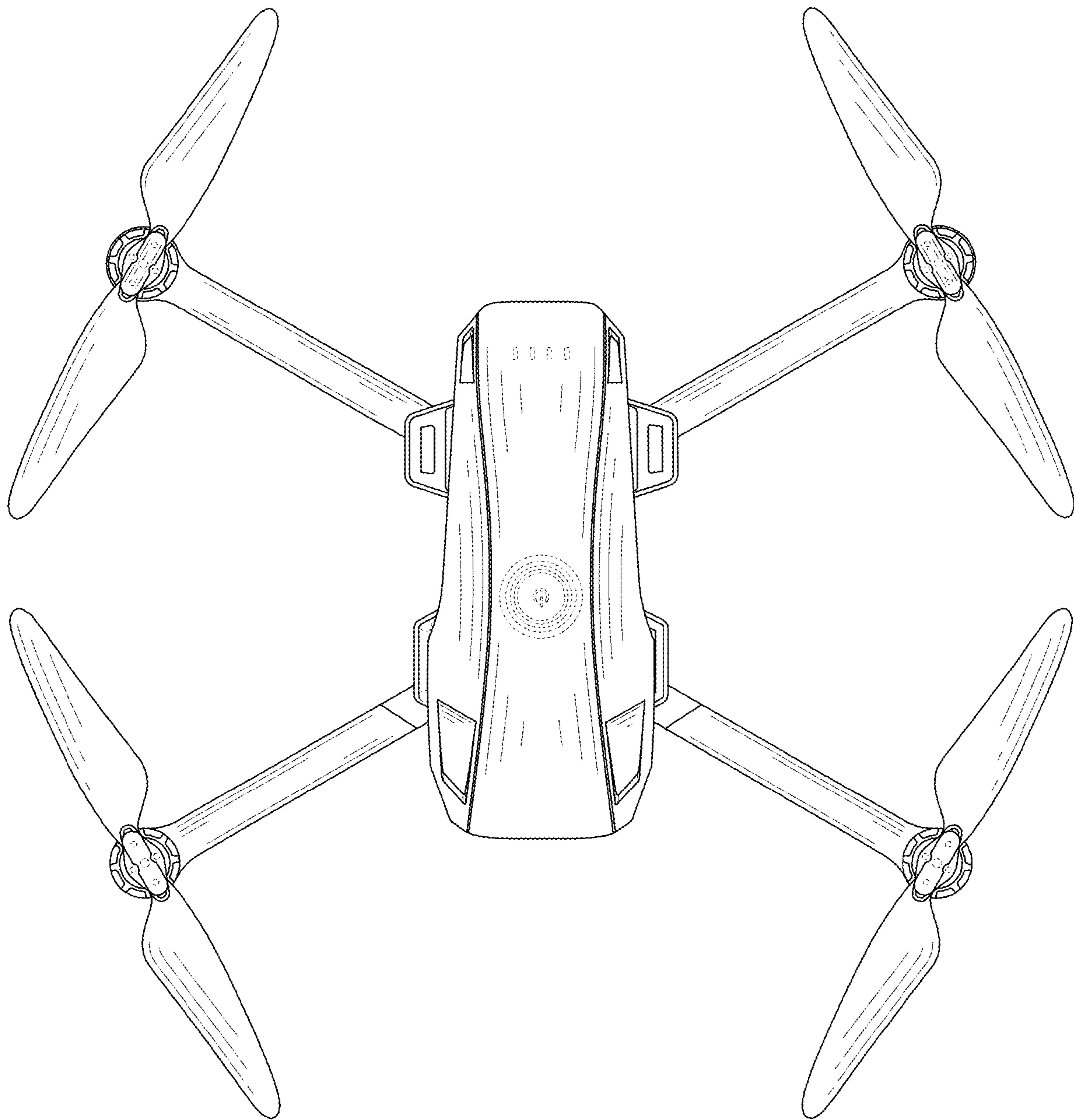


FIG. 3

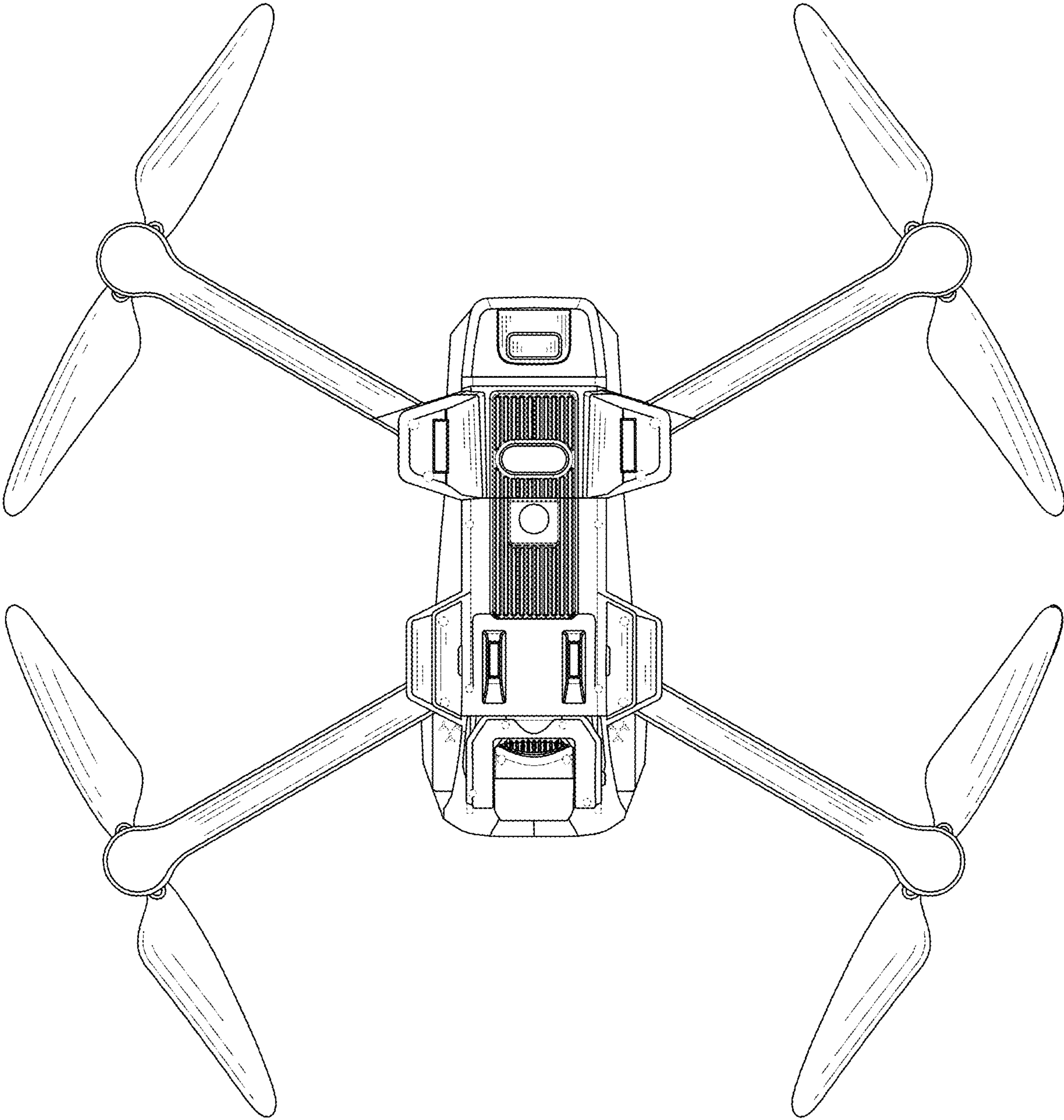


FIG. 4

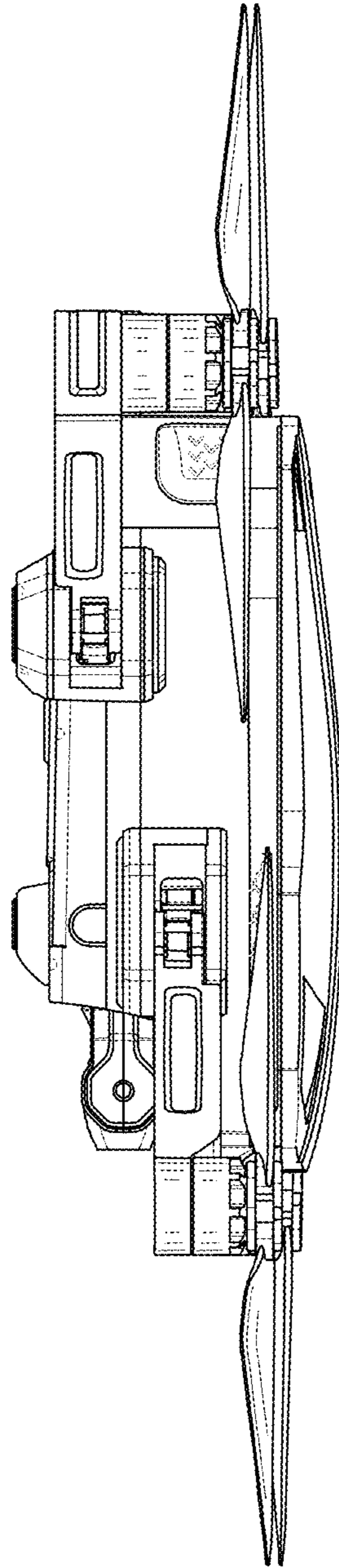


FIG. 5

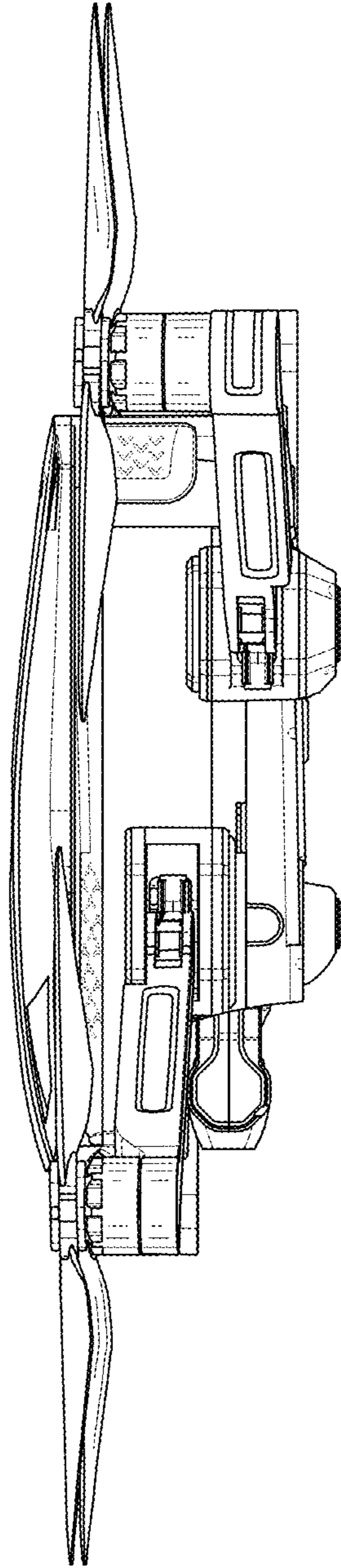


FIG. 6

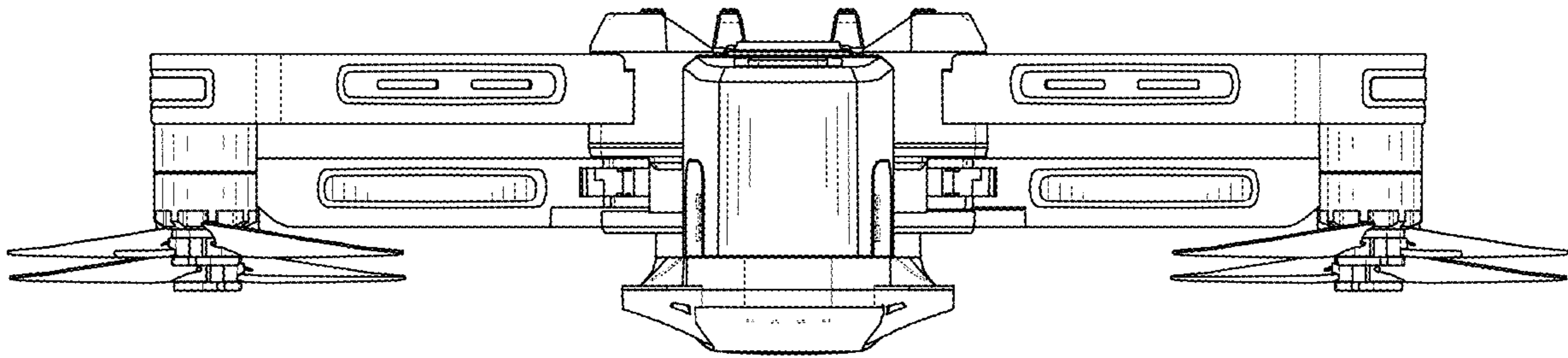


FIG. 7

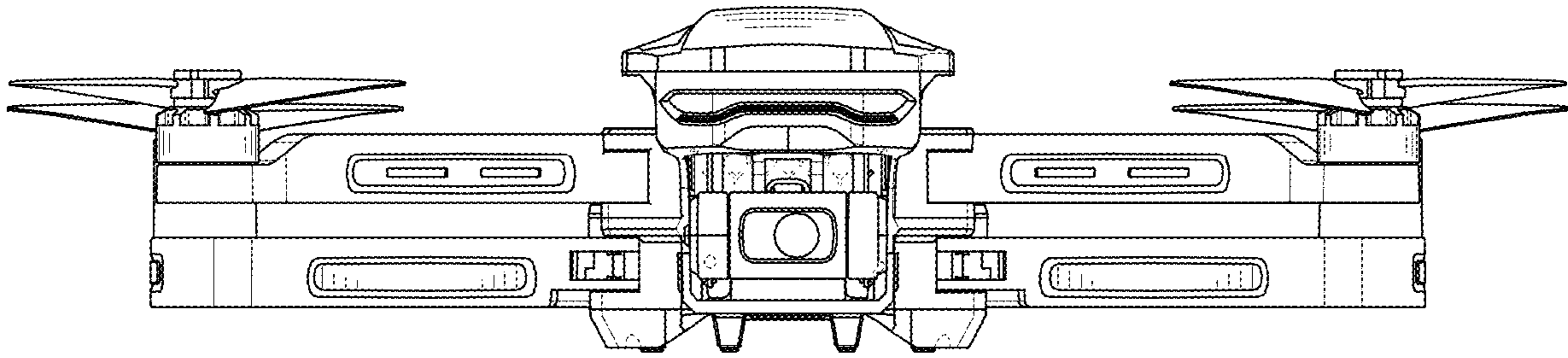


FIG. 8

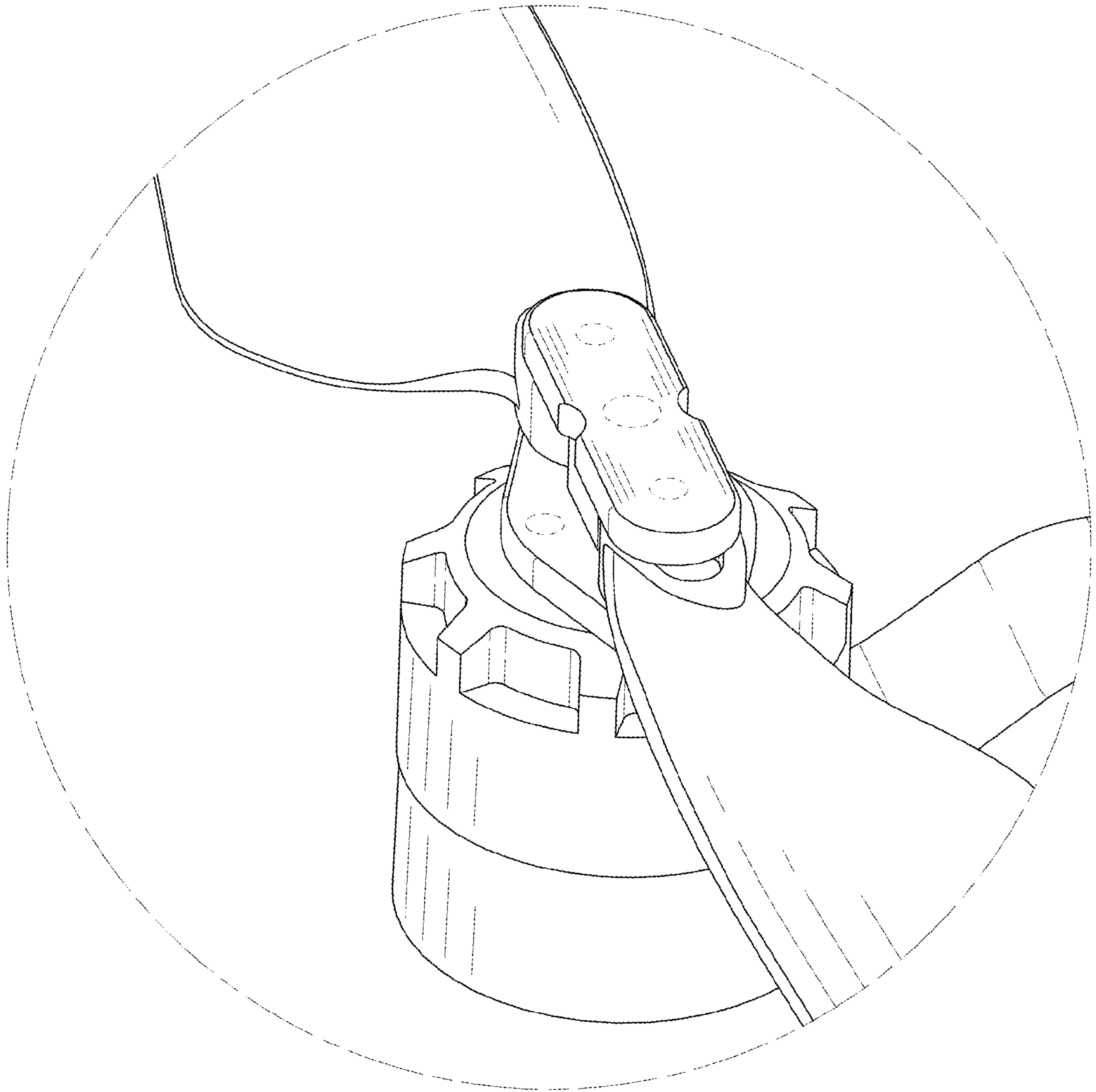


FIG. 9

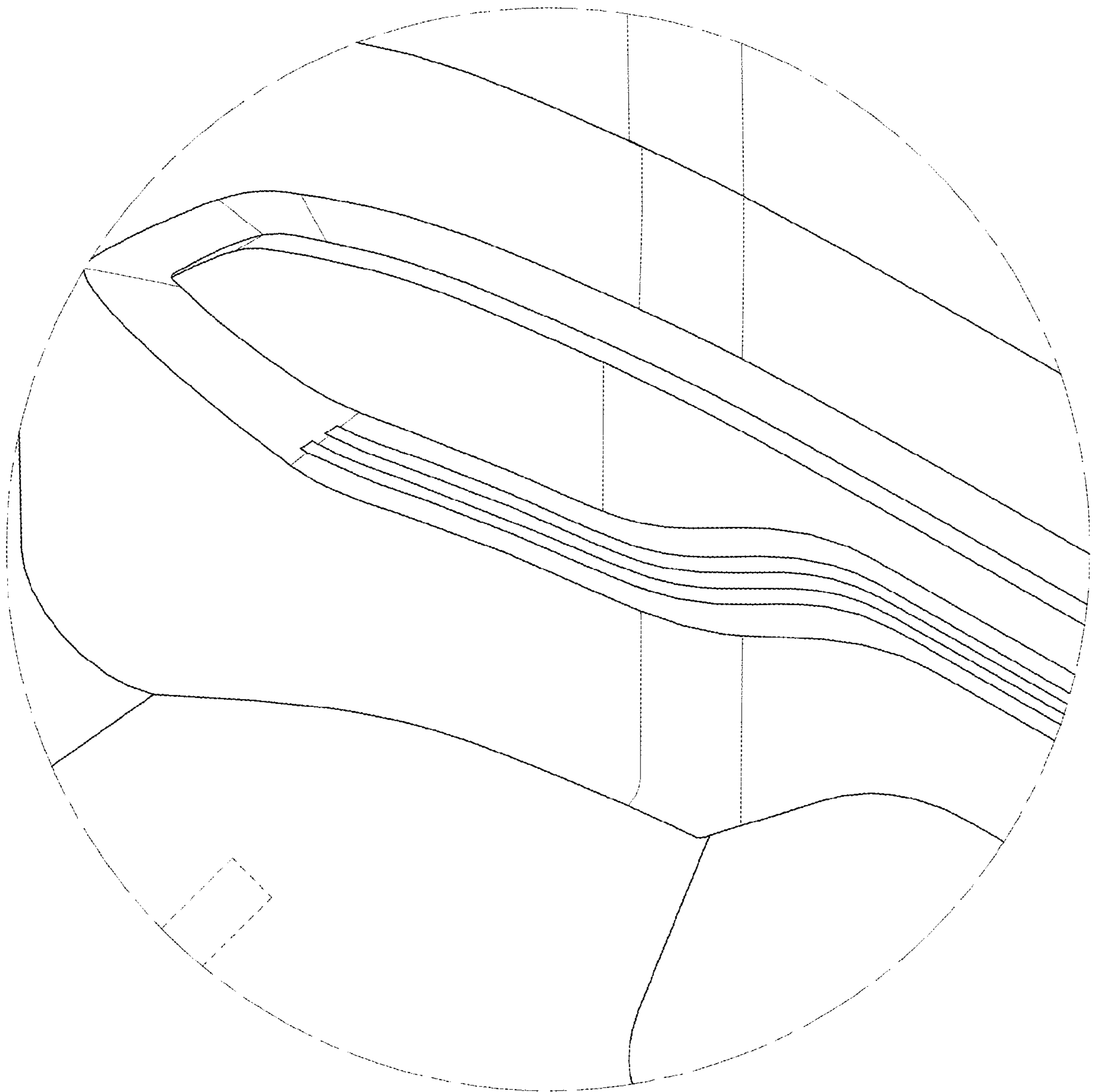


FIG. 10

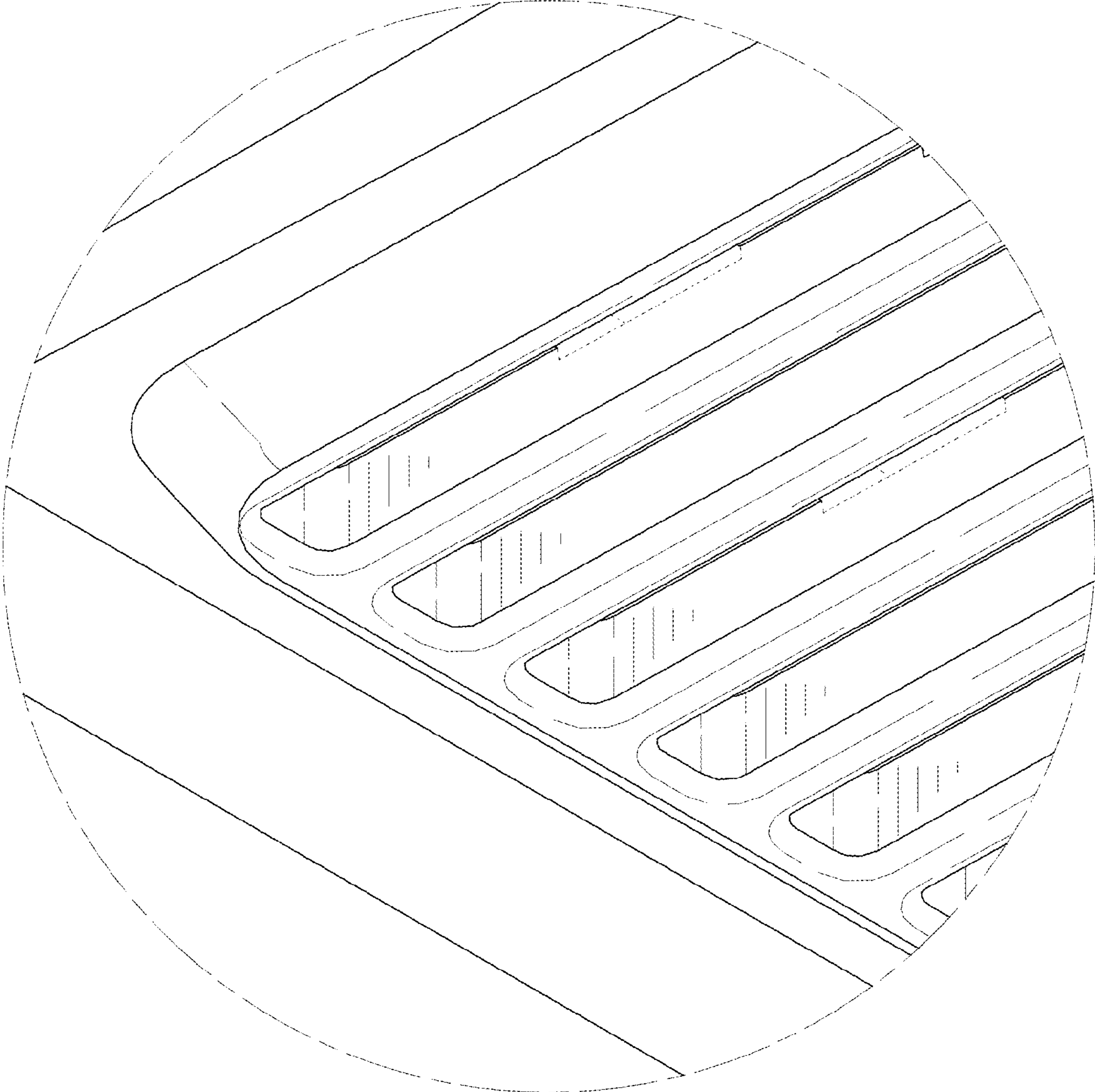


FIG. 11