



US00D972973S

(12) **United States Design Patent** (10) **Patent No.:** **US D972,973 S**  
**Xu** (45) **Date of Patent:** **\*\* Dec. 20, 2022**

(54) **DRONE**

(71) Applicant: **Wenhui Xu**, Longhai (CN)

(72) Inventor: **Wenhui Xu**, Longhai (CN)

(\*\*) Term: **15 Years**

(21) Appl. No.: **29/739,675**

(22) Filed: **Jun. 29, 2020**

(51) **LOC (13) Cl.** ..... **12-07**

(52) **U.S. Cl.**  
USPC ..... **D12/16.1; D21/441**

(58) **Field of Classification Search**  
USPC ..... D12/1-4, 16.1, 214, 319-345;  
D21/436-454  
CPC ..... B64C 29/0025; B64C 2201/108; B64C  
2201/048; B64C 2201/088; B64C 29/00;  
B64C 29/0058; B64C 39/001; B64C  
39/024; B64C 2201/141; B64C 2201/127;  
B64C 2201/128; B64C 2201/042; B64C  
2201/143

See application file for complete search history.

(56) **References Cited**

**U.S. PATENT DOCUMENTS**

D768,539 S \* 10/2016 Lee ..... D21/441  
D813,724 S \* 3/2018 Hu ..... D12/16.1  
D818,872 S \* 5/2018 Ho ..... D12/16.1  
D849,154 S \* 5/2019 Zhao ..... D21/436  
D857,105 S \* 8/2019 Zhang ..... D21/441  
D861,573 S \* 10/2019 He ..... D12/328  
D866,396 S \* 11/2019 Chen ..... D12/16.1  
D882,460 S \* 4/2020 Chen ..... D12/16.1  
D884,554 S \* 5/2020 Chen ..... D12/16.1  
10,696,414 B2 \* 6/2020 Woodman ..... B64C 25/10

D904,226 S \* 12/2020 Zhao ..... D12/16.1  
D918,087 S \* 5/2021 He ..... D12/319  
D918,308 S \* 5/2021 Xu ..... D21/441  
2019/0322342 A1 \* 10/2019 Dabbous ..... E21B 41/04  
2020/0056739 A1 \* 2/2020 Strahlendorf ..... B65G 47/00

**FOREIGN PATENT DOCUMENTS**

EM 008026884-0001 \* 7/2020  
GB 9008026884-0001 \* 7/2020

**OTHER PUBLICATIONS**

Holy Stone. "Holy Stone HS510 GPS Drone for Adults . . ." Oldest Pic Review: Jun. 24, 2020 [visited: Mar. 8, 2022] Amazon URL: <https://www.amazon.com/Holy-Stone-Quadcopter-Beginners-Brushless/dp/B085T53CVH/ref=> (Year: 2020).\*

\* cited by examiner

*Primary Examiner* — John A Voytek

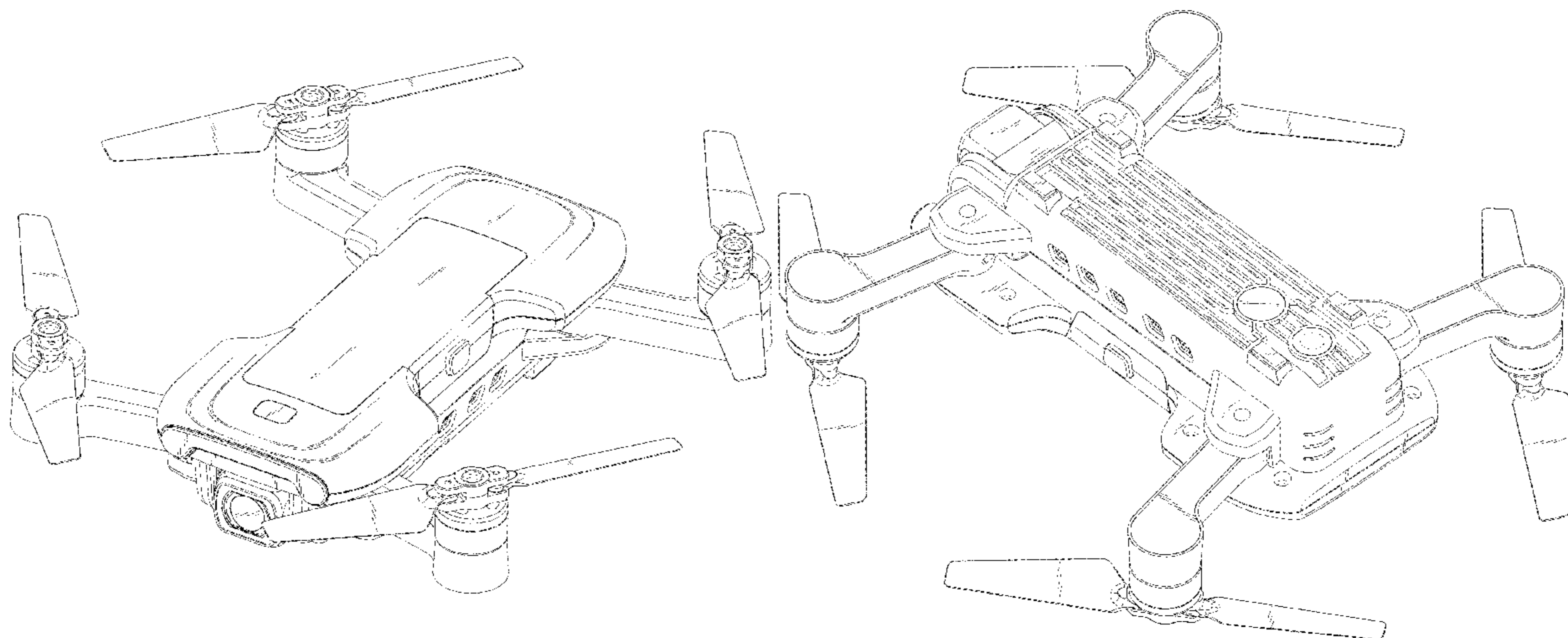
(57) **CLAIM**

The ornamental design for a drone, as shown and described.

**DESCRIPTION**

FIG. 1 is a front, top perspective view of a drone showing my new design;  
FIG. 2 is a rear, bottom perspective view thereof;  
FIG. 3 is a front elevational view thereof;  
FIG. 4 is a rear elevational view thereof;  
FIG. 5 is a left side elevational view thereof;  
FIG. 6 is a right side elevational view thereof;  
FIG. 7 is a top plan view thereof; and,  
FIG. 8 is a bottom plan view thereof.  
The broken lines in the drawings illustrate portions of the drone which form no part of the claimed design.

**1 Claim, 8 Drawing Sheets**



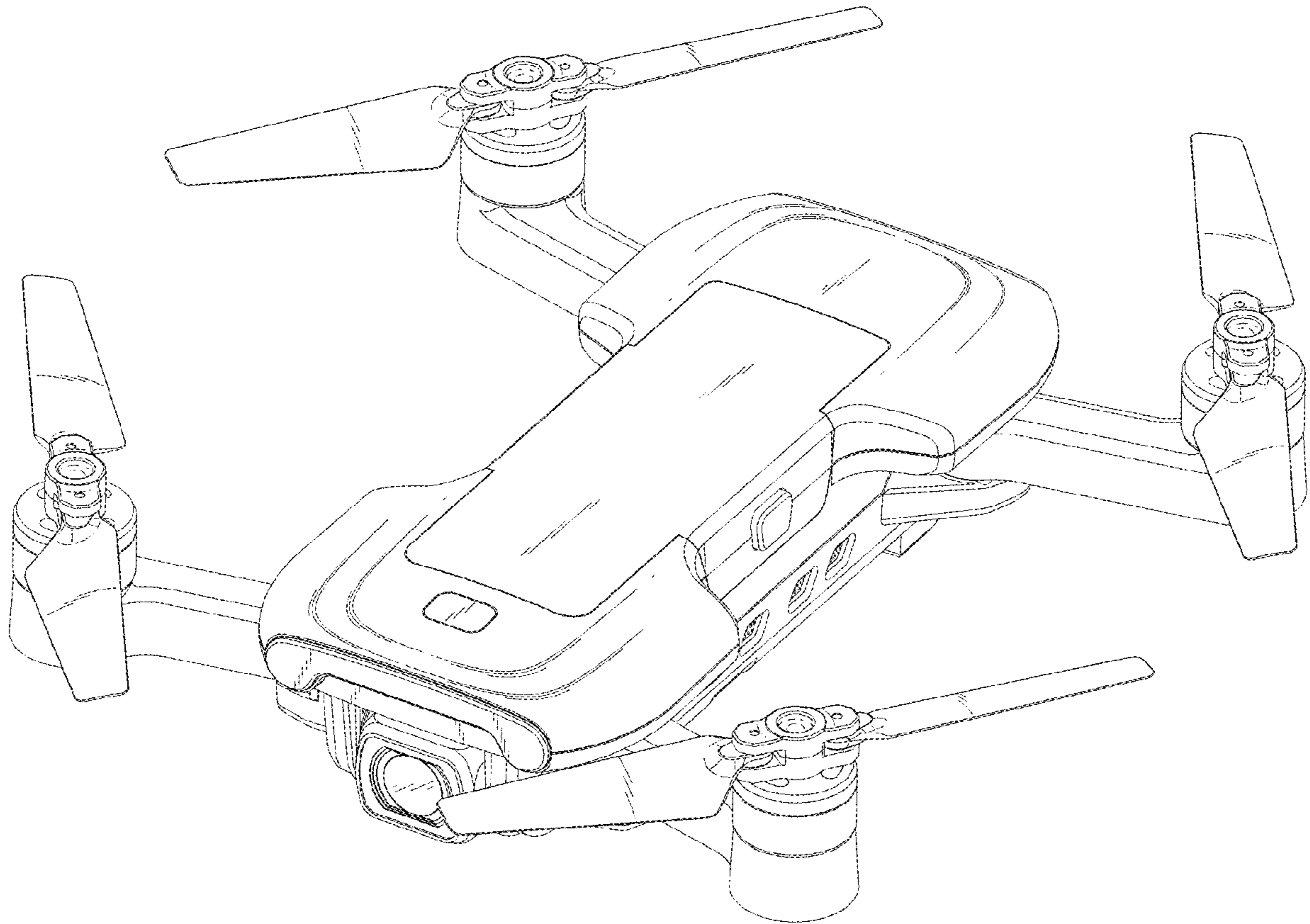


FIG. 1

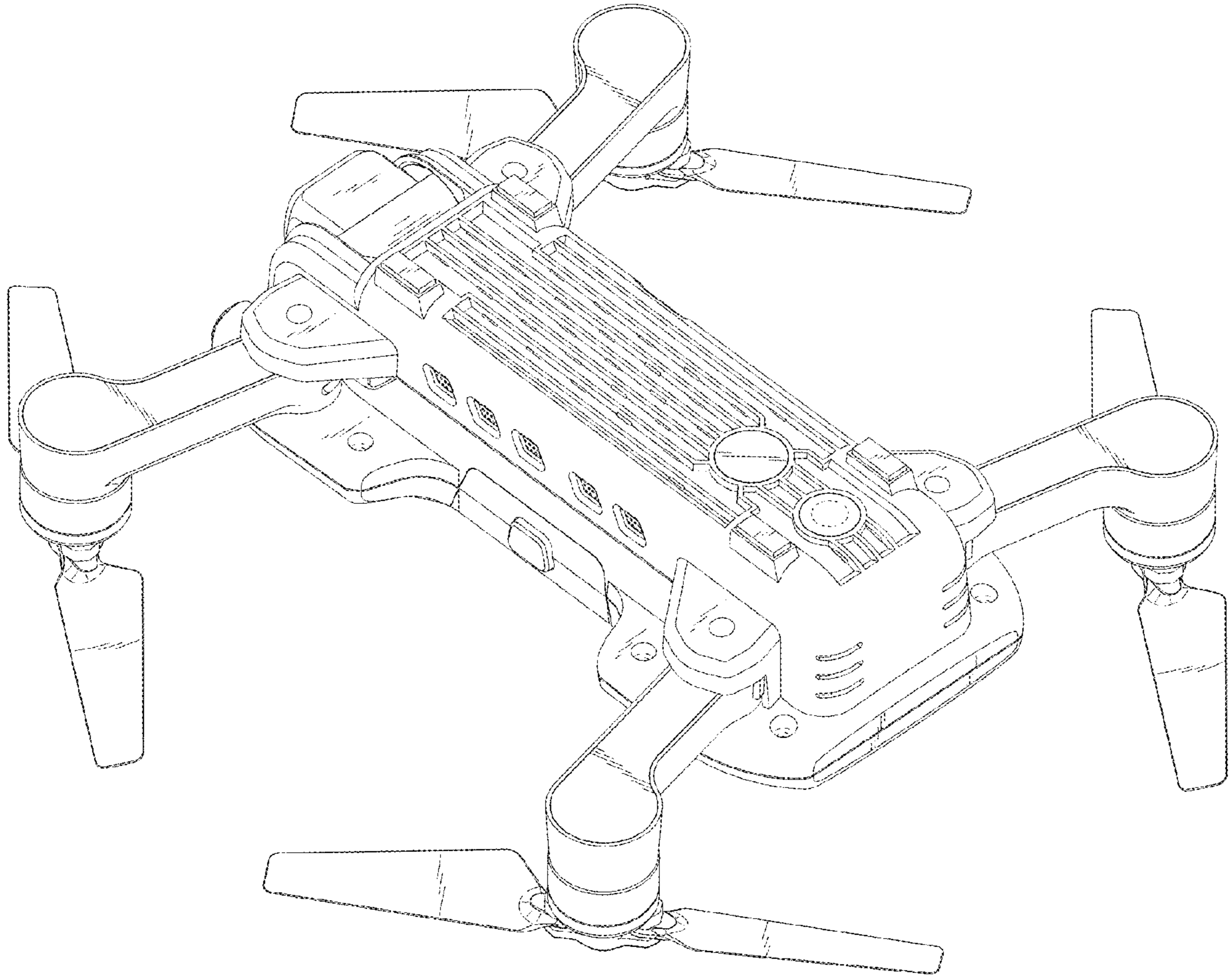


FIG. 2



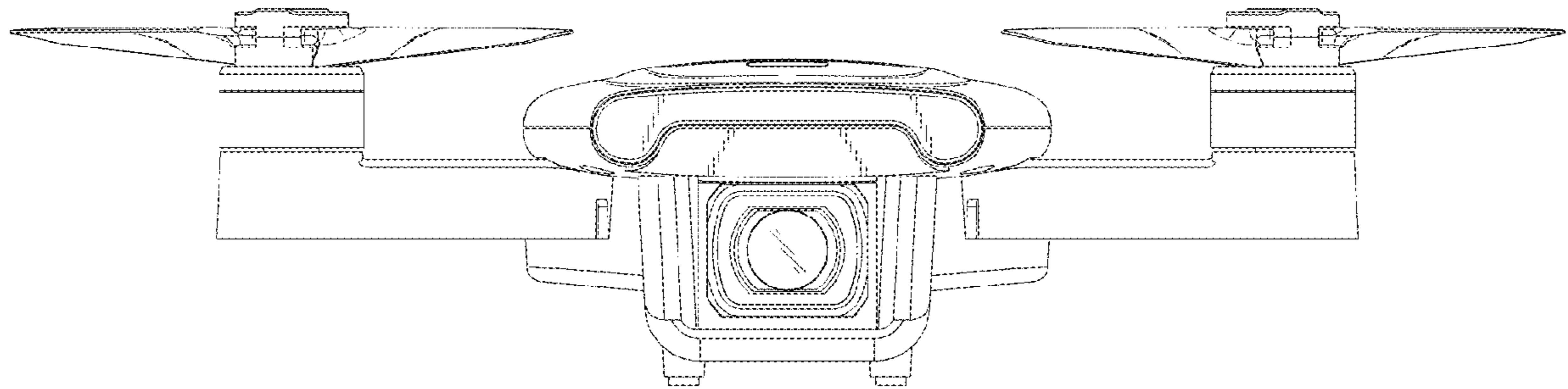


FIG. 3

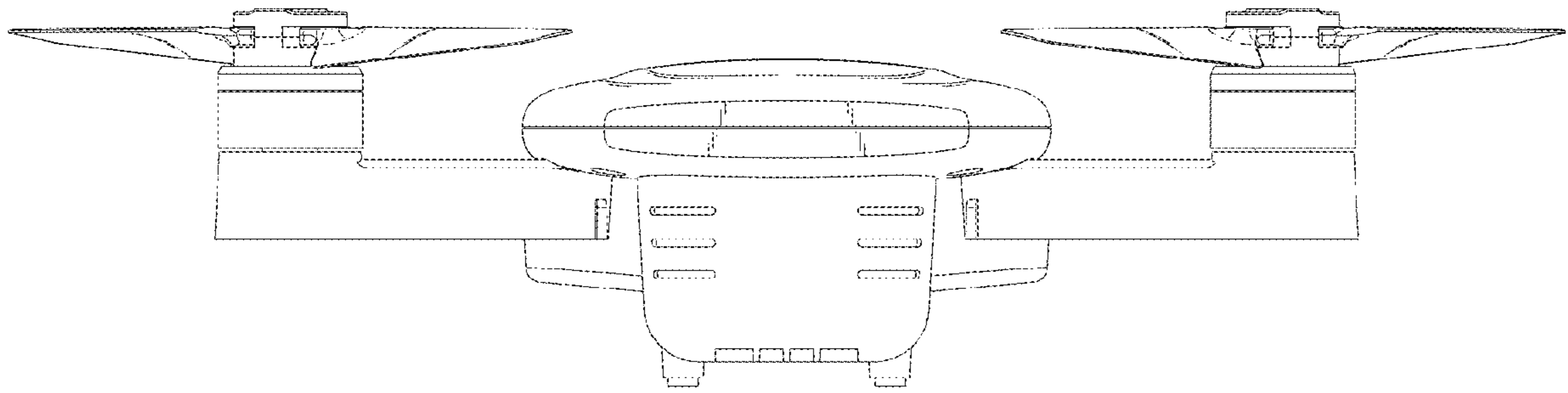


FIG. 4

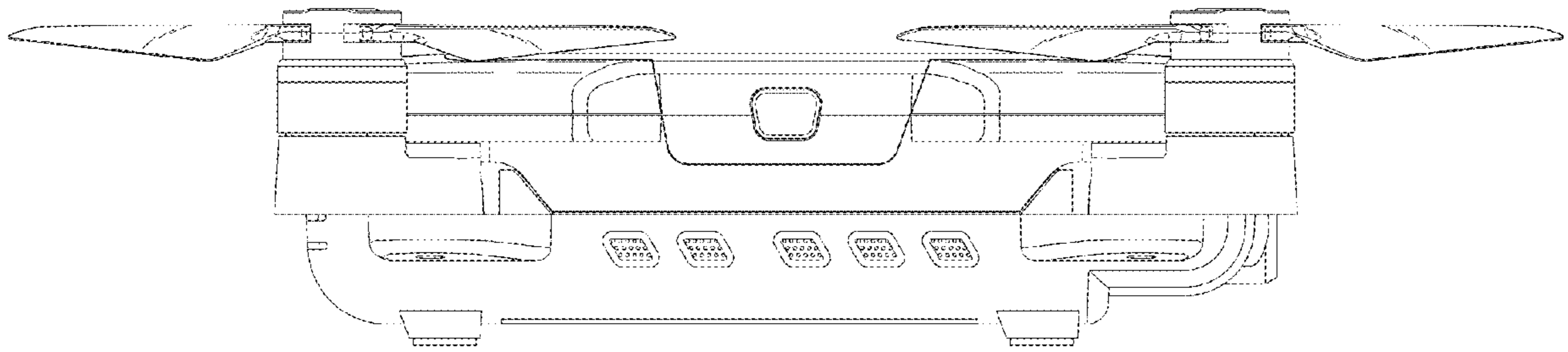


FIG. 5

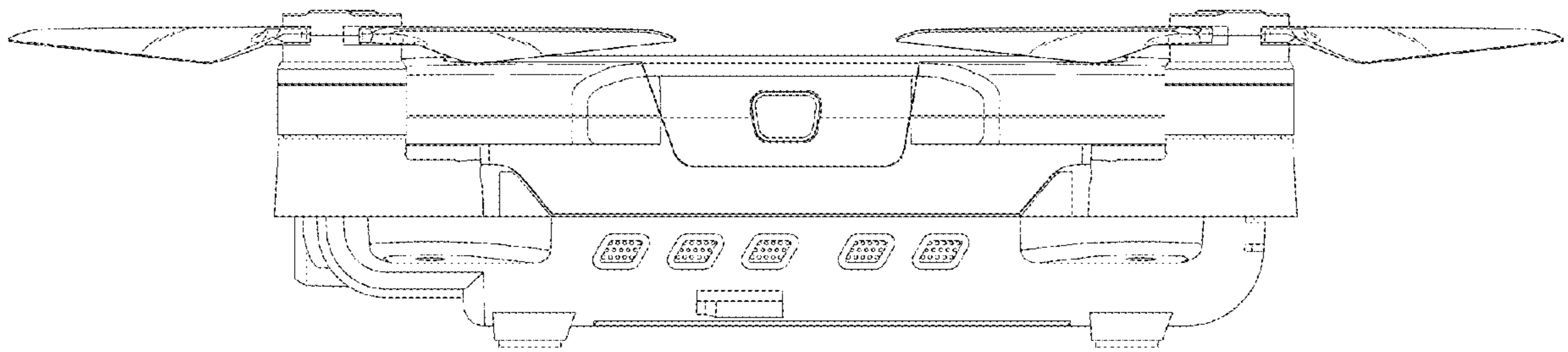


FIG. 6

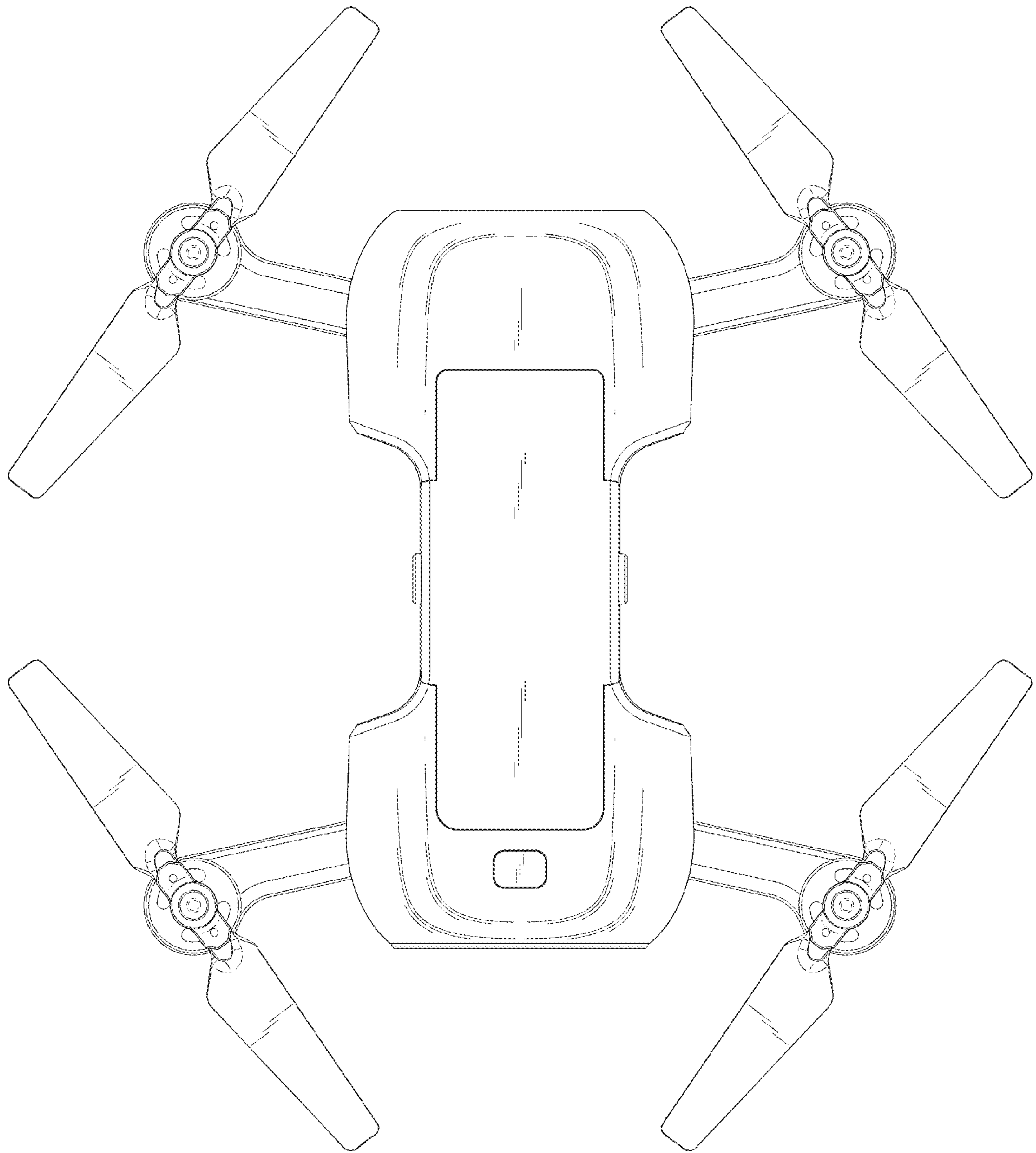


FIG. 7



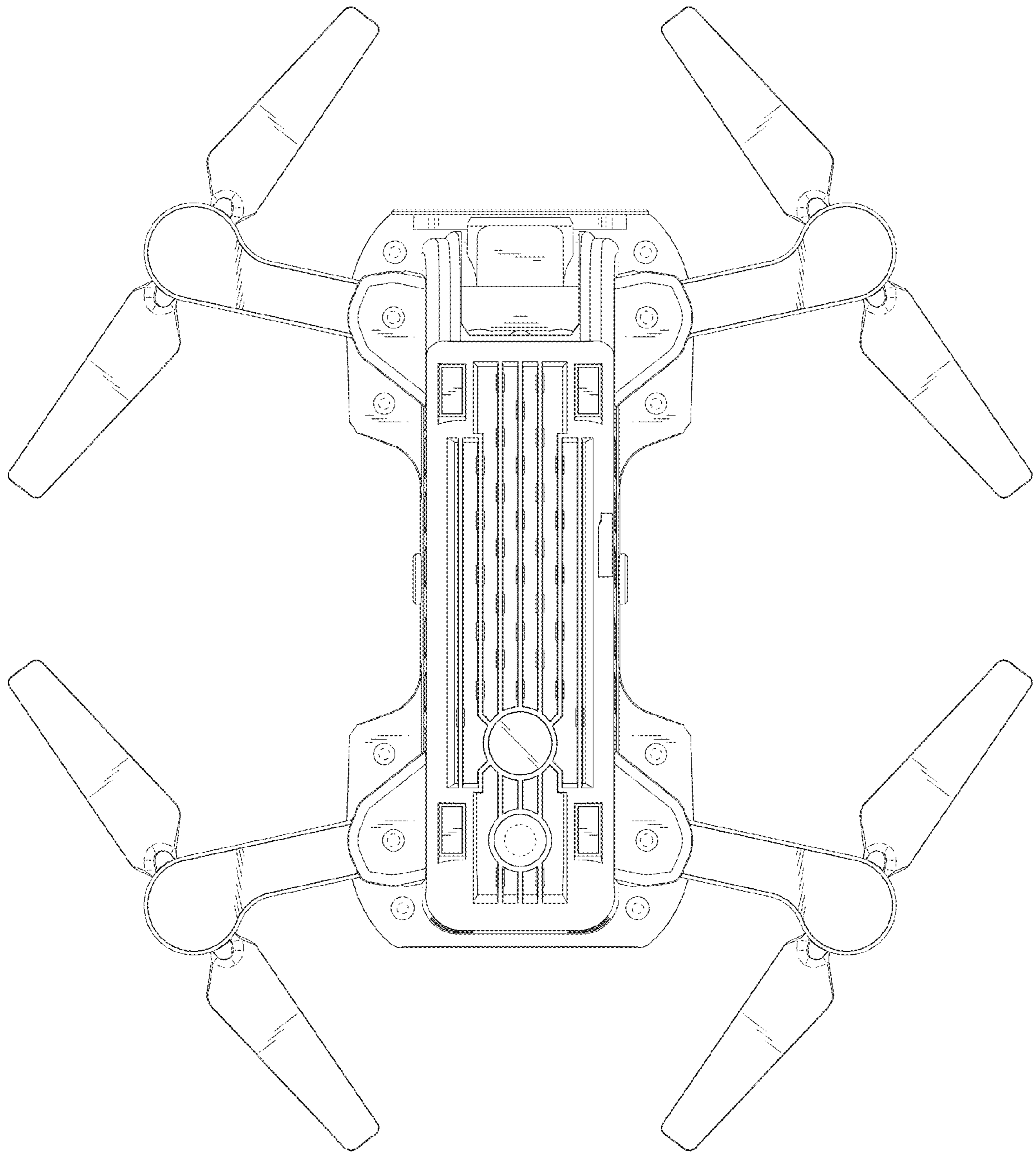


FIG. 8